



US00D718431S

(12) **United States Design Patent**
Young et al.

(10) **Patent No.:** **US D718,431 S**
(45) **Date of Patent:** **** Nov. 25, 2014**

(54) **LIQUID DIFFUSER**

D482,109 S * 11/2003 Woods D23/364
D482,110 S * 11/2003 Laferriere et al. D23/364
D492,018 S * 6/2004 Schroder D23/364

(71) Applicant: **Young Living Essential Oils, LC**, Lehi,
UT (US)

(Continued)

(72) Inventors: **D. Gary Young**, Alpine, UT (US);
James T. Davis, II, Springville, UT
(US); **Son Q. Le**, Orem, UT (US)

FOREIGN PATENT DOCUMENTS

EP 1829560 9/2007

(73) Assignee: **Young Living Essential Oils, LC**, Lehi,
UT (US)

OTHER PUBLICATIONS

“Carburetor”, Wikipedia, downloaded Dec. 20, 2013, pp. 13, <http://en.wikipedia.org/wiki/carburetor>.

(**) Term: **14 Years**

Primary Examiner — Sandra Snapp

(21) Appl. No.: **29/478,588**

(74) Attorney, Agent, or Firm — Kunzler Law Group, PC

(22) Filed: **Jan. 7, 2014**

(57) **CLAIM**

(51) **LOC (10) Cl.** **28-99**

The ornamental design for a liquid diffuser, as shown and described.

(52) **U.S. Cl.**

USPC **D23/366**

DESCRIPTION

(58) **Field of Classification Search**

USPC D23/355–369; D28/5, 6; 261/DIG. 17,
261/DIG. 42, DIG. 65, DIG. 88, DIG. 89;
392/386, 390, 394, 395; 239/34, 44,
239/53, 55, 56, 326; D26/14, 17, 98, 9, 22,
D26/24; D11/131.1; D7/509, 522, 524, 537

See application file for complete search history.

FIG. 1 shows a top perspective view of a liquid diffuser.
FIG. 2 shows an exploded perspective view of the liquid
diffuser of FIG. 1.

FIG. 3 shows a front view of the liquid diffuser of FIG. 1.

FIG. 4 shows a side view of the liquid diffuser of FIG. 1.

FIG. 5 shows another side view of the liquid diffuser of FIG.
1.

FIG. 6 shows a back view of the liquid diffuser of FIG. 1.

FIG. 7 shows a top view of the liquid diffuser of FIG. 1; and,

FIG. 8 shows a bottom view of the liquid diffuser of FIG. 1.

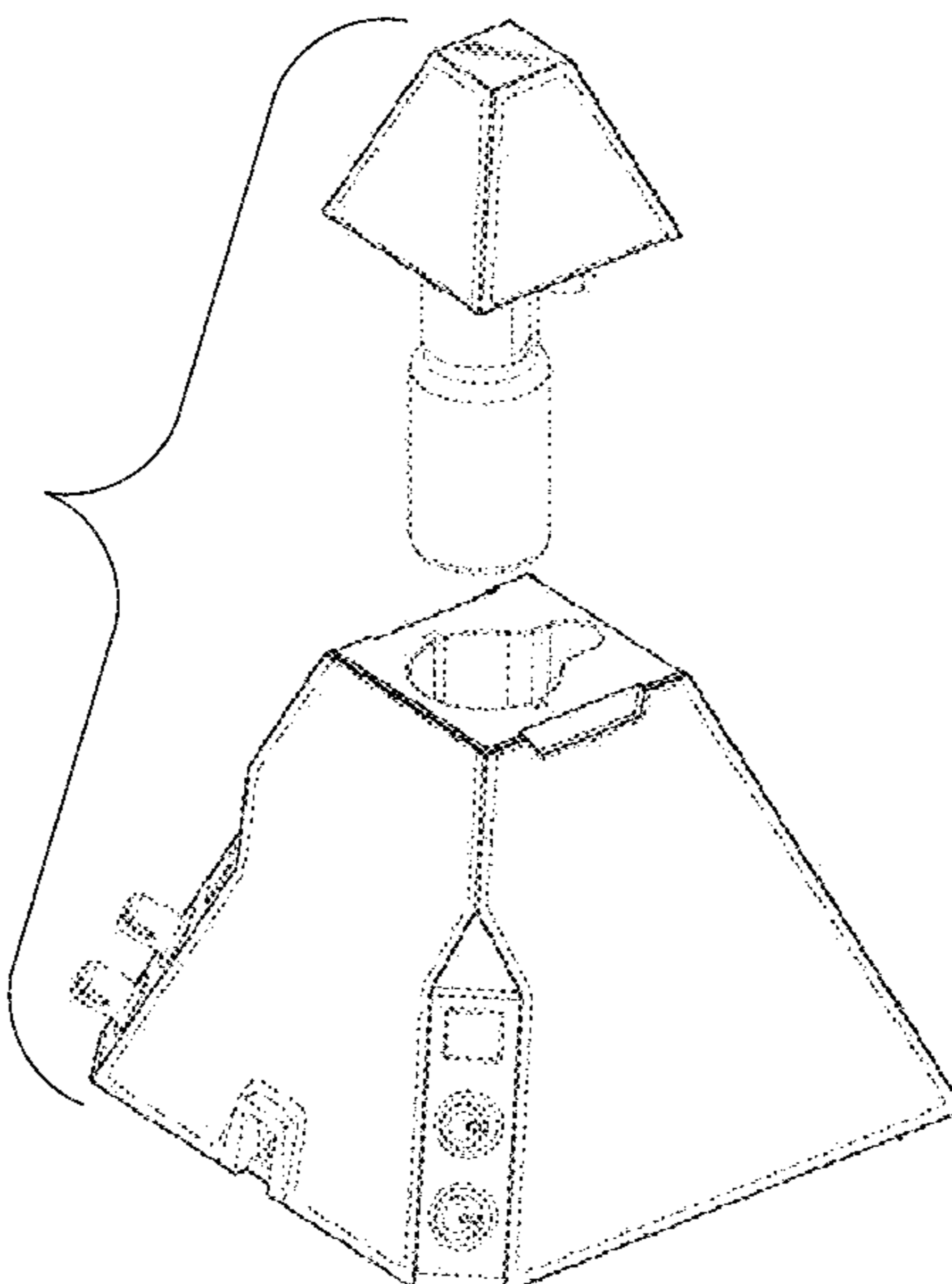
The shade lines in the Figures show contour and not surface
ornamentation. The dash-dash type broken lines in the draw-
ings are for the purpose of illustrating unclaimed portions of
the liquid diffuser and form no part of the claimed design. The
dot-dash-dot-dash type broken lines define the boundaries of
the claimed design.

(56) **References Cited**

U.S. PATENT DOCUMENTS

D359,587 S * 6/1995 Ross D30/101
D370,253 S * 5/1996 Yuen D23/355
D373,528 S * 9/1996 Ser Tuen Wei D9/431
D380,538 S * 7/1997 Muller et al. D23/367
D383,864 S * 9/1997 Billings D26/51
D423,342 S * 4/2000 Popesco D9/636
D432,224 S * 10/2000 Hautmann et al. D23/366
D458,359 S * 6/2002 Blanchette D23/366
D475,444 S * 6/2003 Laferriere et al. D23/364

1 Claim, 8 Drawing Sheets



(56)

References Cited

U.S. PATENT DOCUMENTS

D515,683 S *	2/2006	LaBlaine	D23/366	7,878,418 B2	2/2011	Sevy	
D520,129 S	5/2006	Sevy		7,913,933 B2	3/2011	VanRoemburg	
D526,710 S	8/2006	Sevy		D645,947 S	9/2011	Sevy	
7,407,118 B2	8/2008	Sevy		D660,685 S *	5/2012	Bucci	D8/354
				D688,417 S *	8/2013	Liu	D27/162

* cited by examiner

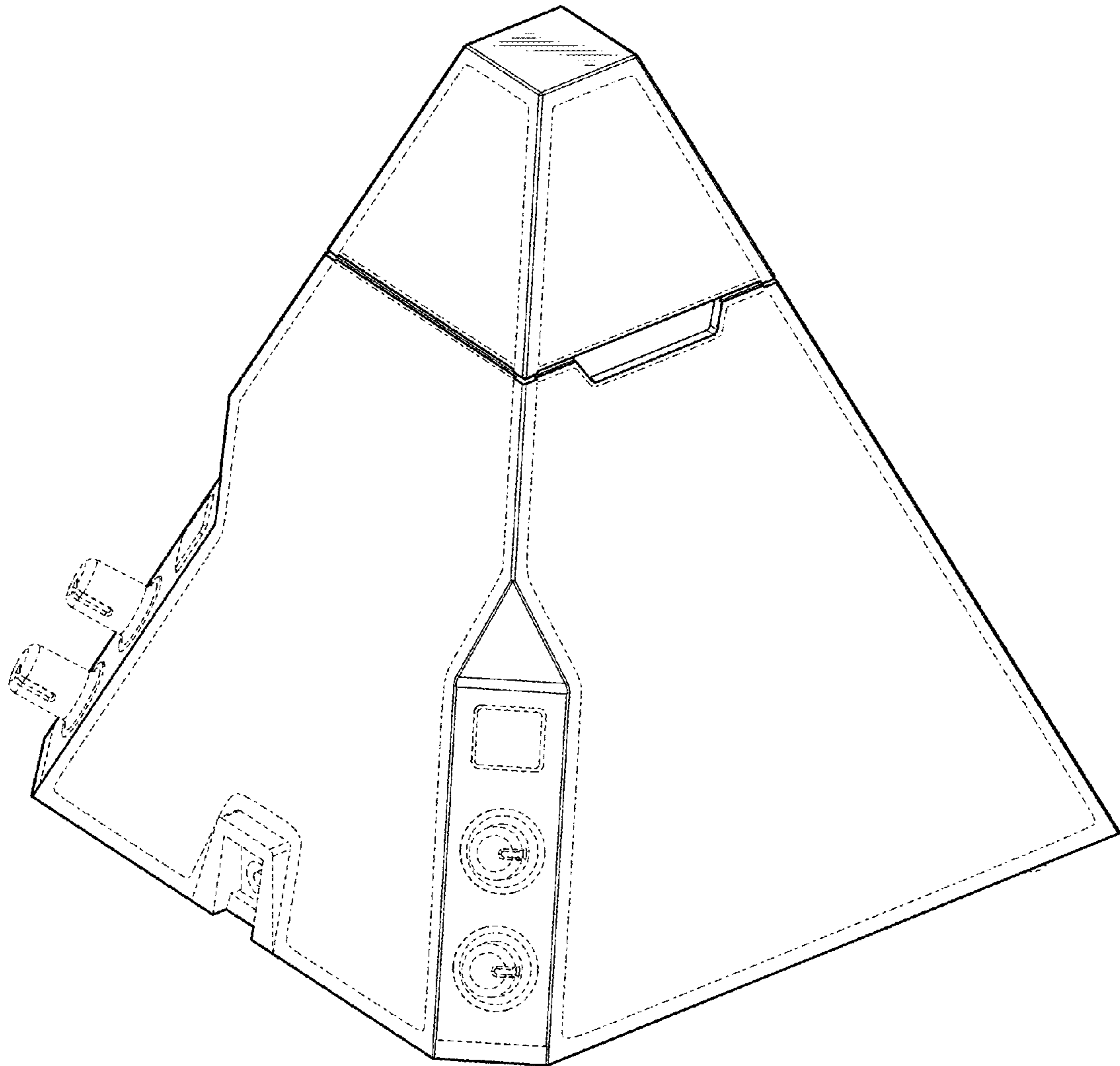


FIG. 1

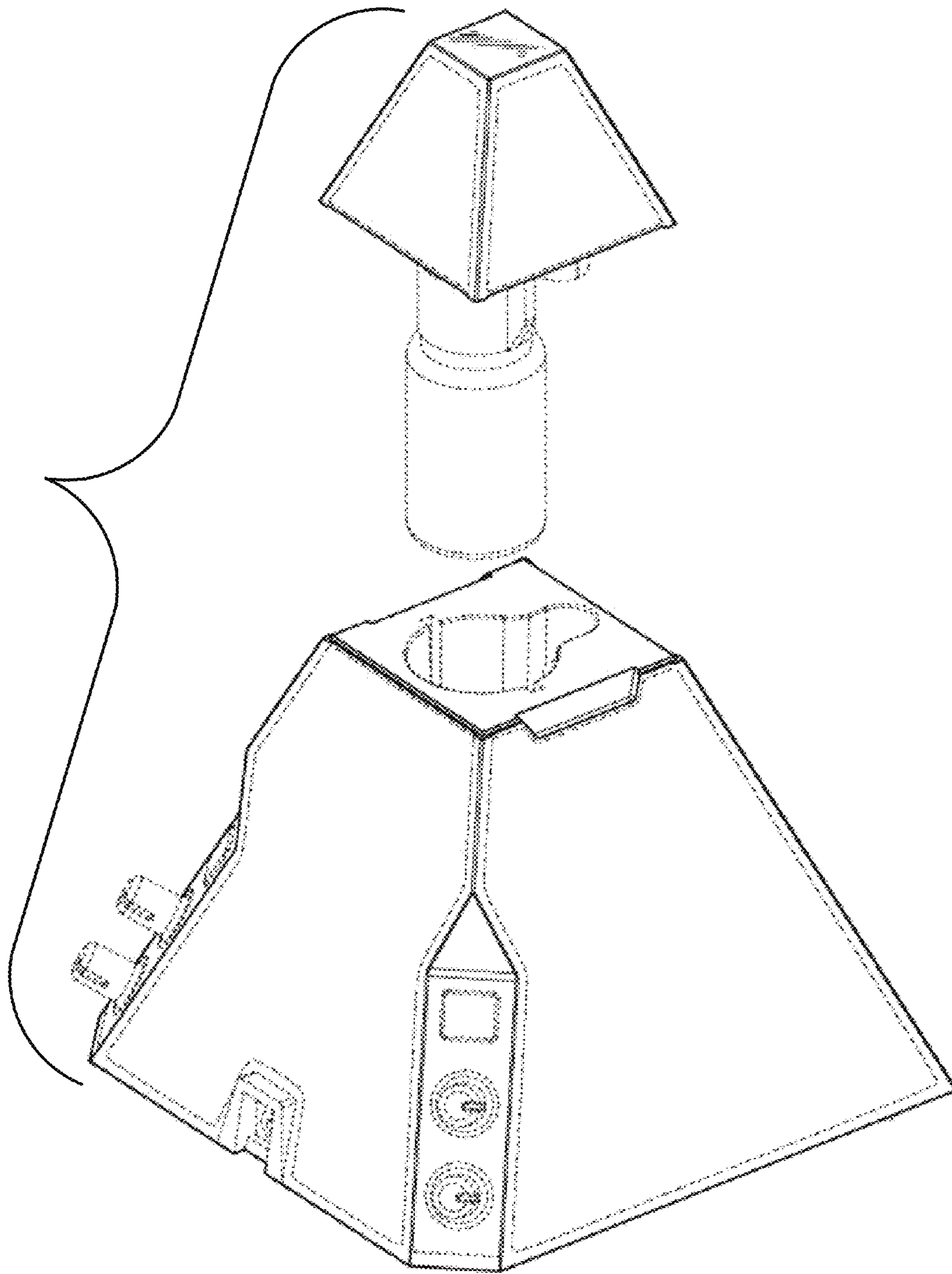


FIG. 2

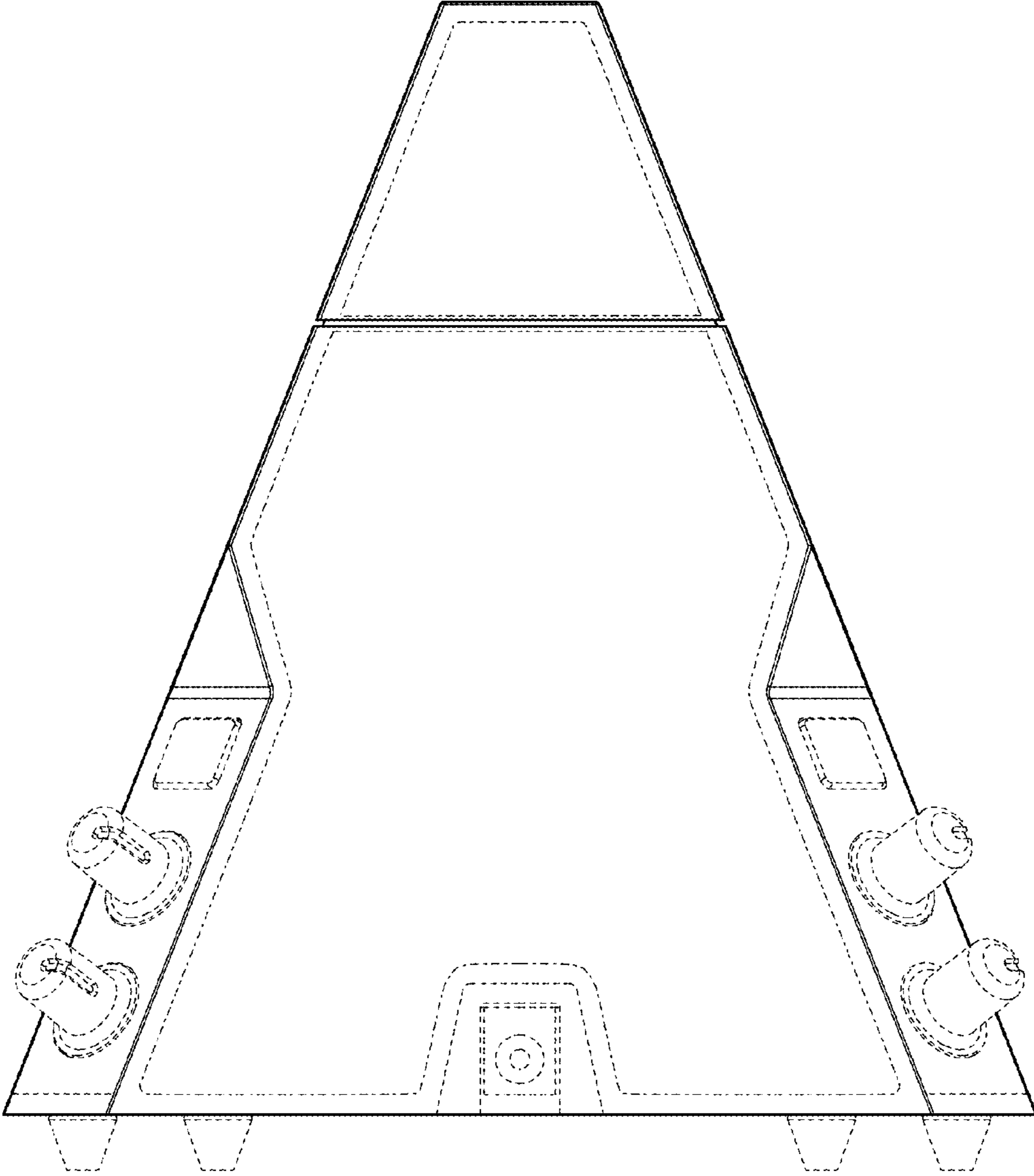


FIG. 3

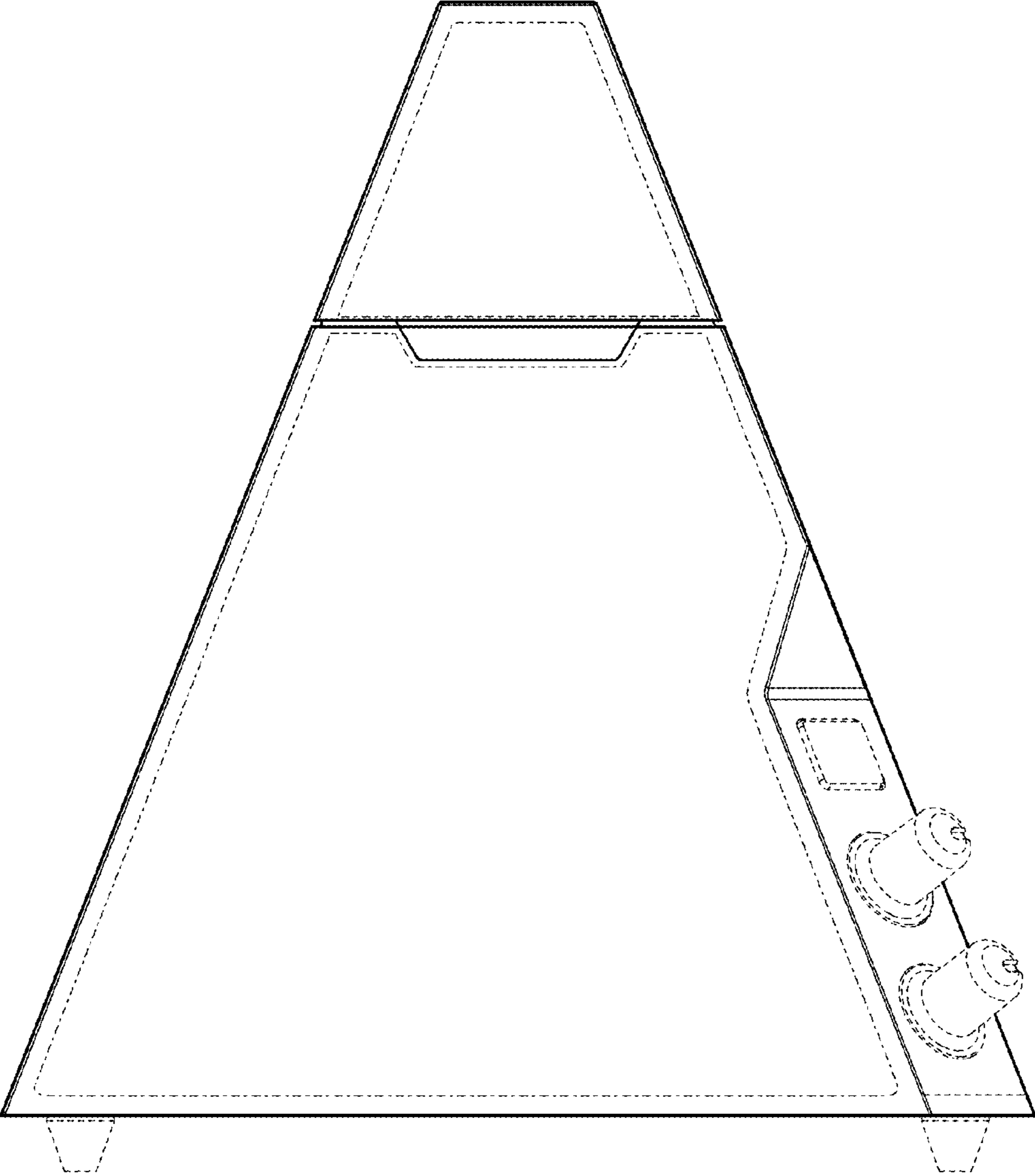


FIG. 4

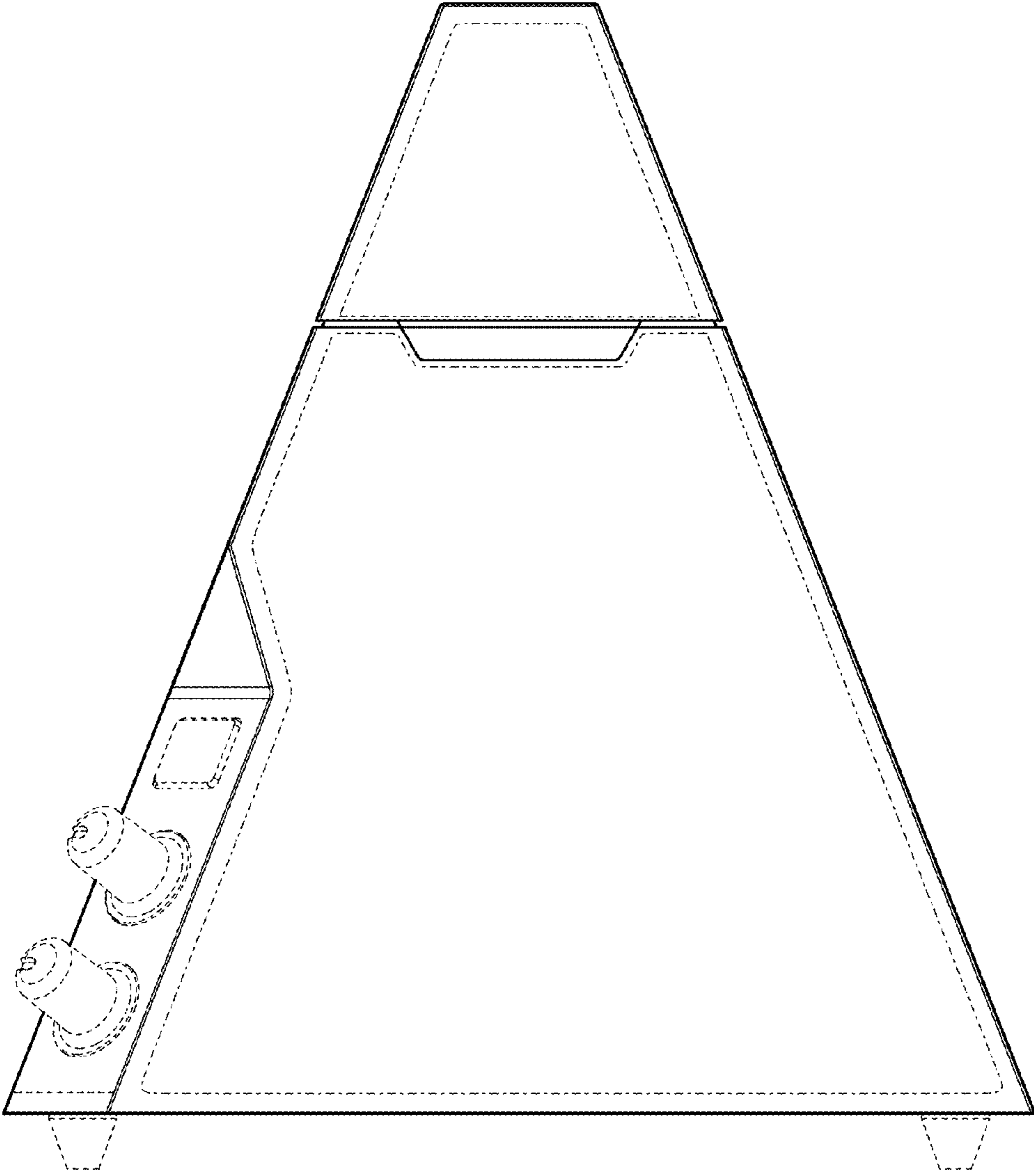


FIG. 5

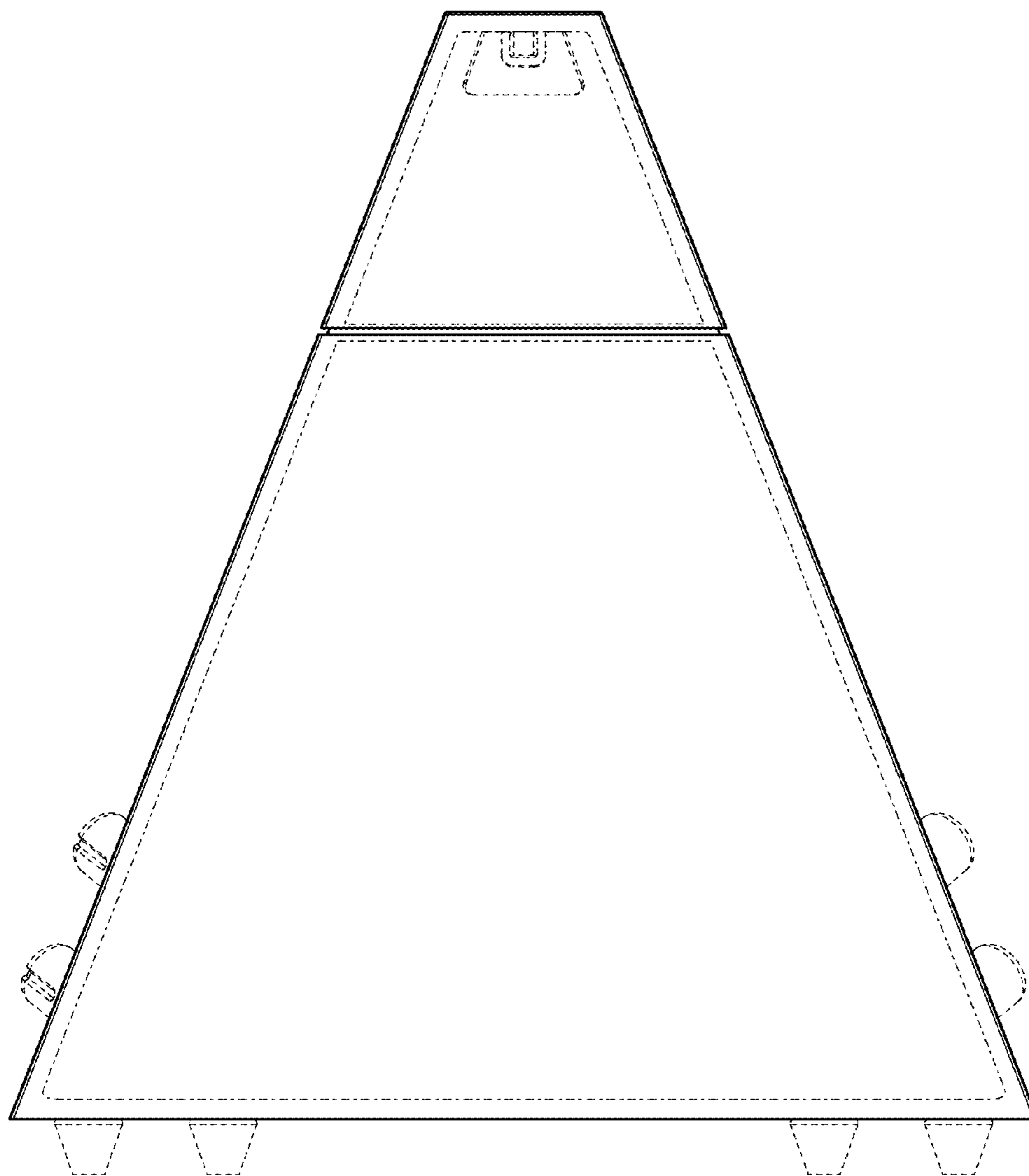


FIG. 6

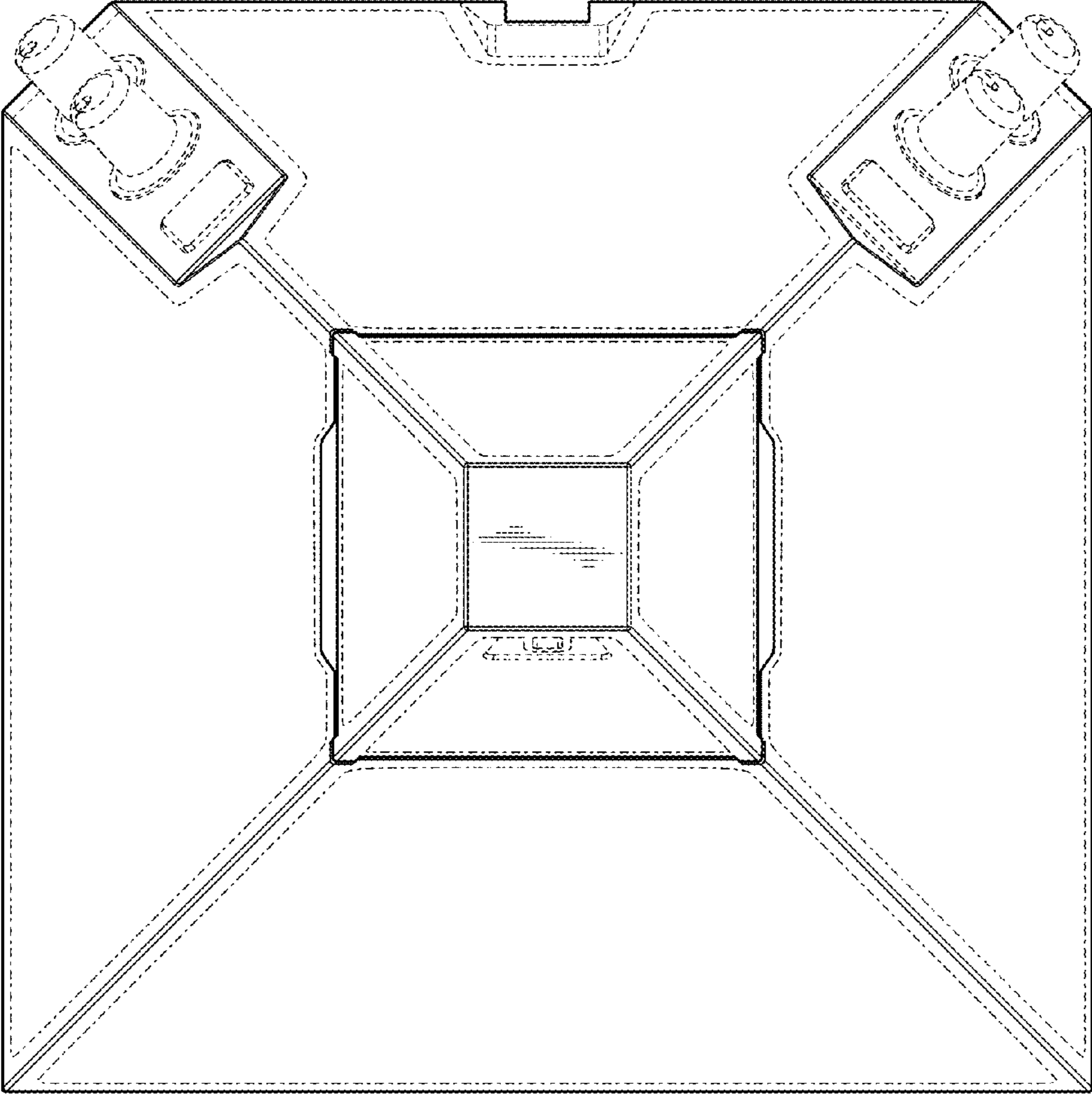


FIG. 7

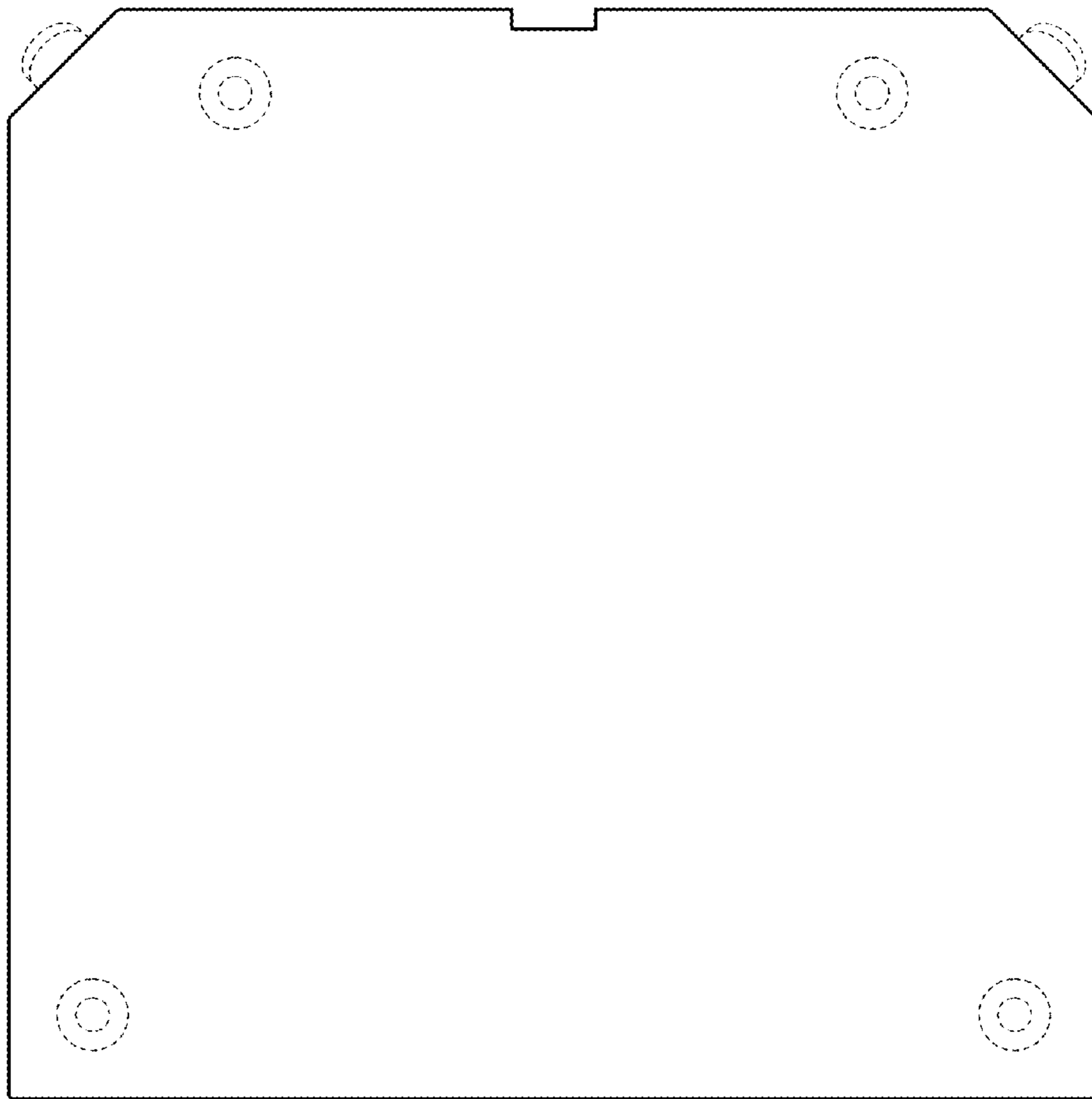


FIG. 8