



US00D718424S

(12) **United States Design Patent**
Smith et al.

(10) **Patent No.:** **US D718,424 S**

(45) **Date of Patent:** **** Nov. 25, 2014**

- (54) **FAUCET**
- (71) Applicant: **Kohler Co.**, Kohler, WI (US)
- (72) Inventors: **Michael S. Smith**, Santa Monica, CA (US); **William C. McKeone**, Sheboygan, WI (US)
- (73) Assignee: **Kohler Co.**, Kohler, WI (US)
- (**) Term: **14 Years**
- (21) Appl. No.: **29/496,748**
- (22) Filed: **Jul. 16, 2014**

D488,539 S	4/2004	McKeone	
D493,213 S	7/2004	Svendsen et al.	
D518,557 S *	4/2006	Thun	D23/238
7,082,626 B2	8/2006	Williams et al.	
D531,483 S	11/2006	Kosasih	
D534,251 S	12/2006	Barry	
D540,142 S	4/2007	Rexach	
D540,910 S	4/2007	Blomstrom	
D563,524 S *	3/2008	Wolf	D23/238
D581,494 S *	11/2008	Dolan et al.	D23/255
D582,013 S	12/2008	Yuan	

OTHER PUBLICATIONS

U.S. Appl. No. 29/469,475, filed Oct. 10, 2013, Smith.

* cited by examiner

Primary Examiner — Robert Delehanty

(74) *Attorney, Agent, or Firm* — Foley & Lardner LLP

Related U.S. Application Data

- (62) Division of application No. 29/452,525, filed on Apr. 17, 2013.
- (51) **LOC (10) Cl.** **23-01**
- (52) **U.S. Cl.**
USPC **D23/255**
- (58) **Field of Classification Search**
USPC D23/238–243, 249–250, 254–255, 257;
4/675–678; 137/801
See application file for complete search history.

(57) **CLAIM**

We claim the ornamental design for a faucet, as shown and described.

DESCRIPTION

FIG. 1 is a top, left, front perspective view of an embodiment of the claimed design;
 FIG. 2 is a front elevation view thereof;
 FIG. 3 is a rear elevation view thereof;
 FIG. 4 is a right elevation view thereof;
 FIG. 5 is a left elevation view thereof;
 FIG. 6 is a top plan view thereof; and,
 FIG. 7 is a bottom plan view thereof.

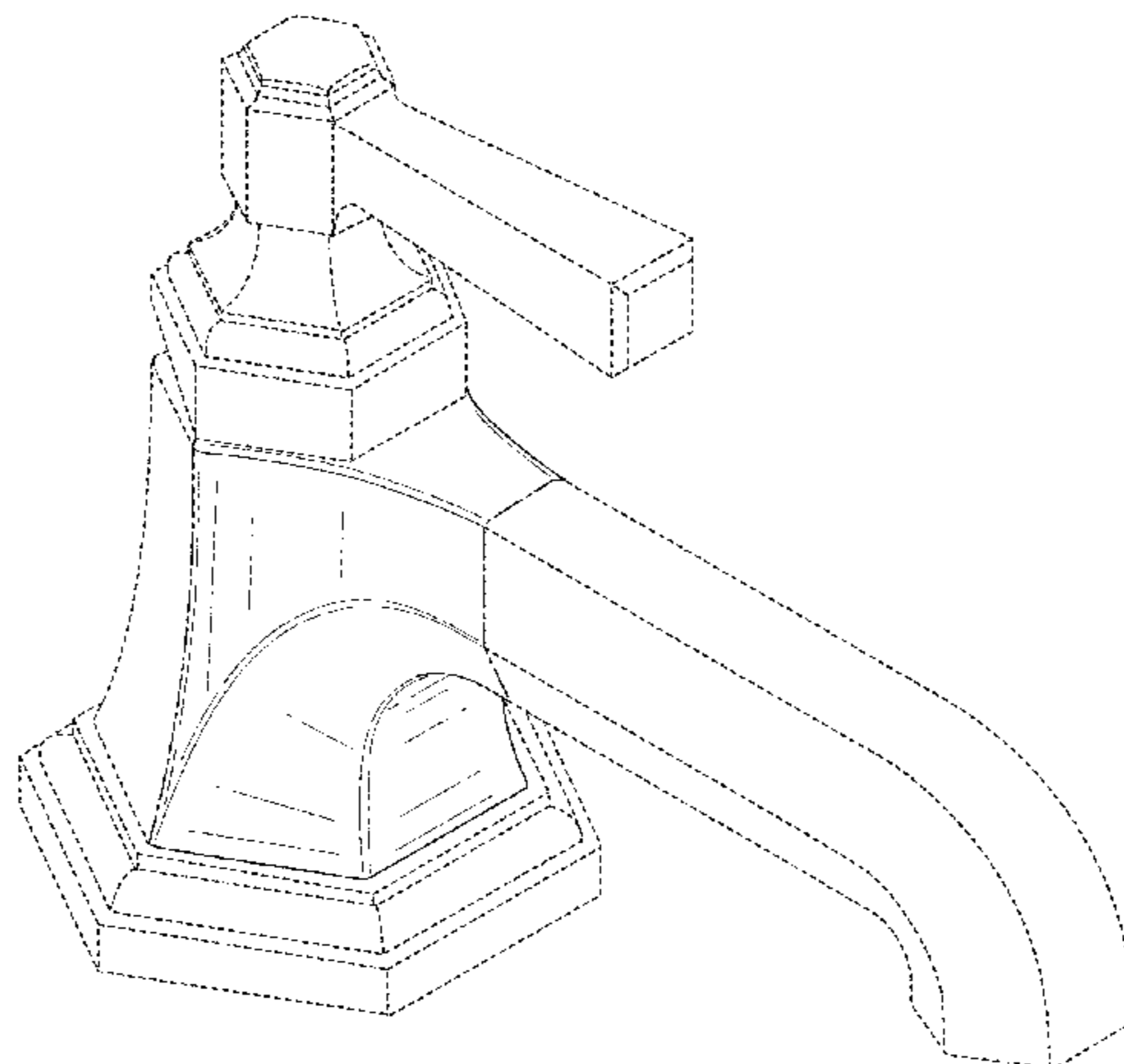
The ornamental design which is claimed is shown in solid lines in the drawings. The broken lines in the drawings are for illustrative purposes only and form no part of the claimed design. Broken lines formed by equal length dashes show unclaimed portions of the design. Broken lines formed of unequal length dashes (i.e., dash-dot) show boundaries between claimed and unclaimed portions of the design. Broken lines having a jagged element show that the no particular length of the portion is claimed.

(56) **References Cited**

U.S. PATENT DOCUMENTS

D76,790 S	11/1928	Fraser
D96,839 S	9/1935	Johnston
D279,403 S	6/1985	Doman
D322,659 S	12/1991	Reid et al.
D338,388 S	8/1993	Bengtson
D350,184 S	8/1994	Kohler, Jr.
D353,653 S	12/1994	McKeone
D354,548 S	1/1995	Bollenbacher et al.
D394,701 S	5/1998	Kohler et al.
D427,289 S	6/2000	Hundley
6,317,905 B1	11/2001	Slothower
D462,418 S	9/2002	Smith
D468,810 S	1/2003	Smith
D472,615 S	4/2003	Smith
D478,374 S	8/2003	Smith

1 Claim, 7 Drawing Sheets



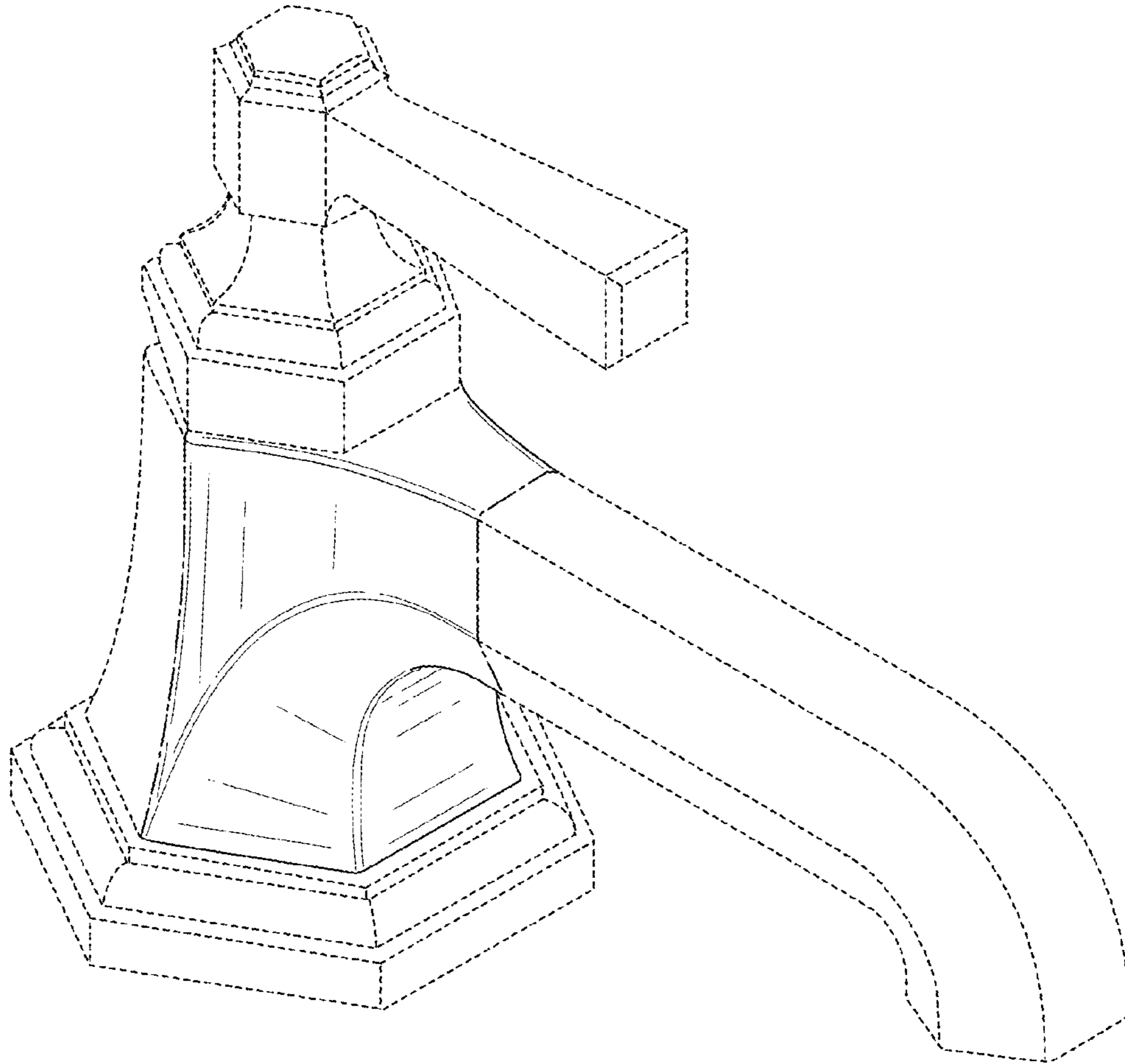


Fig. 1

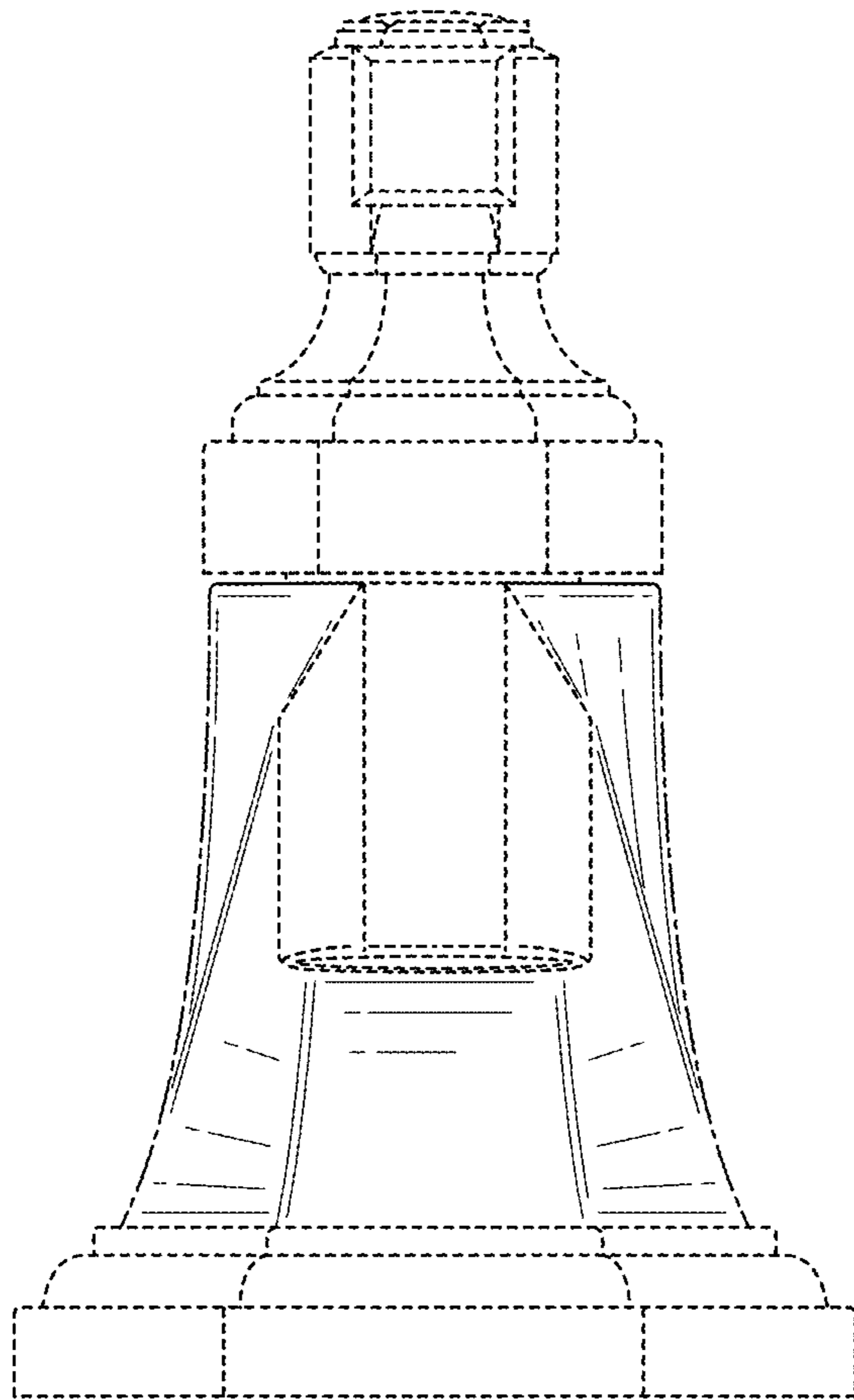


Fig. 2

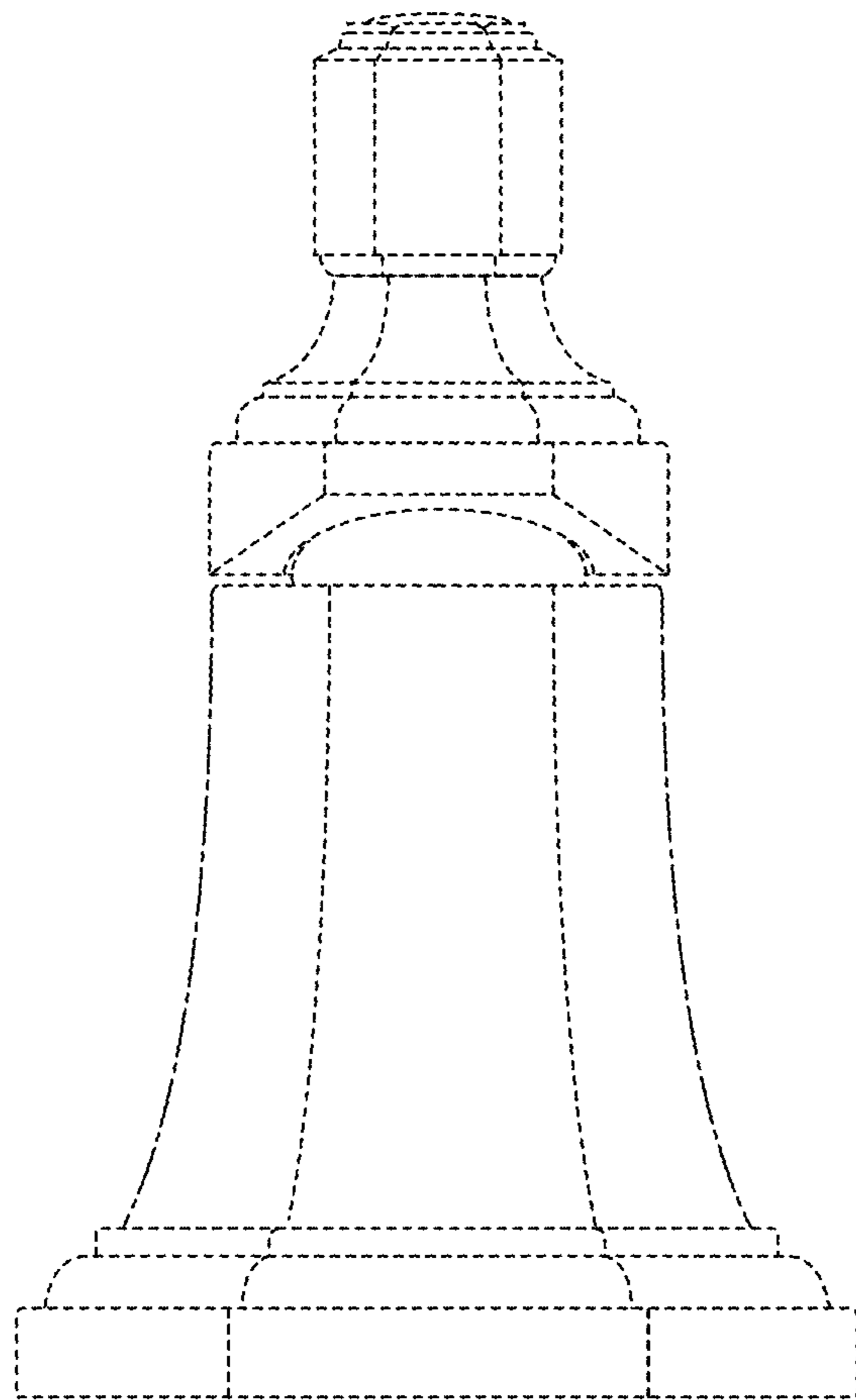


Fig. 3

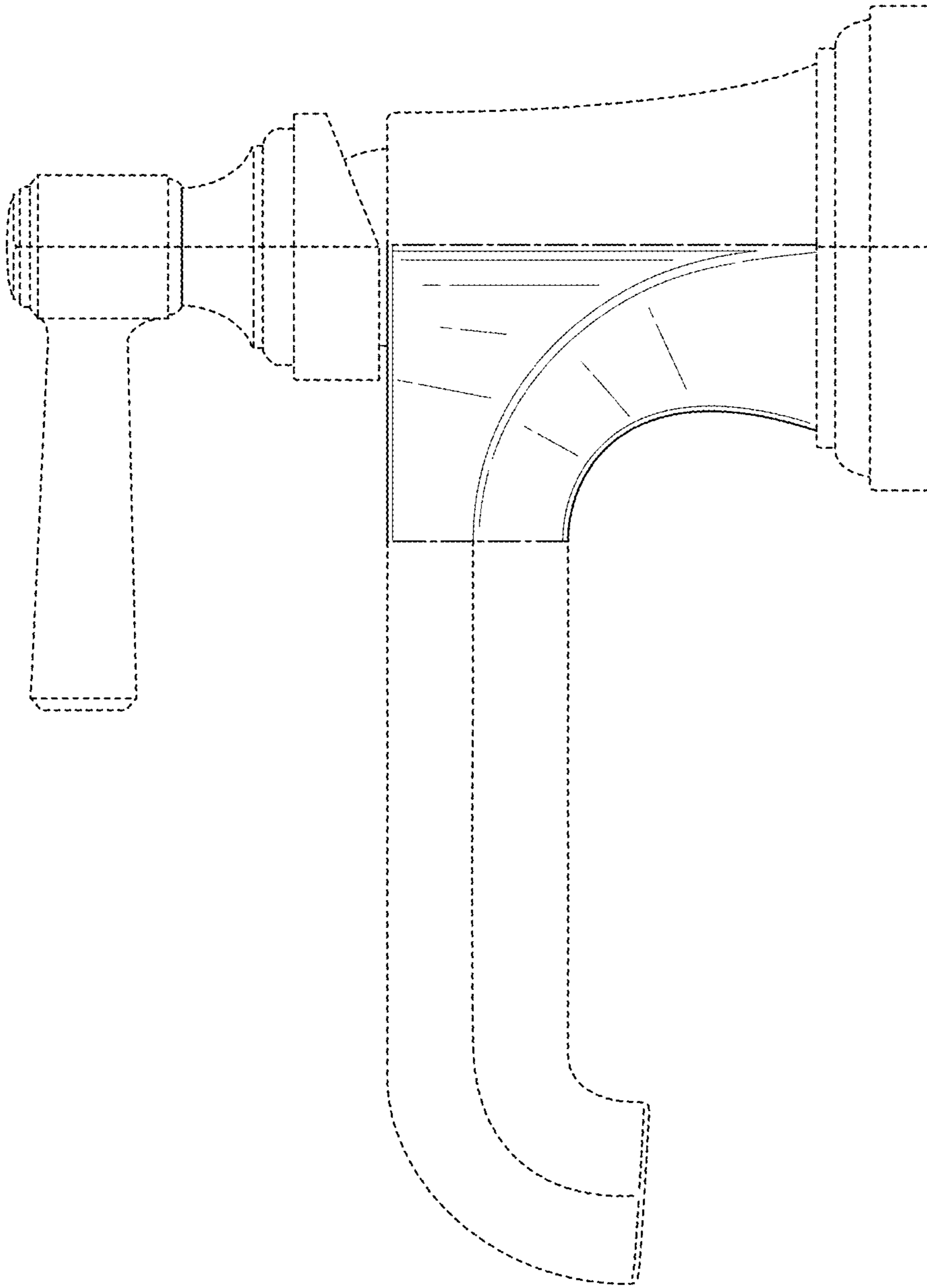


Fig. 4

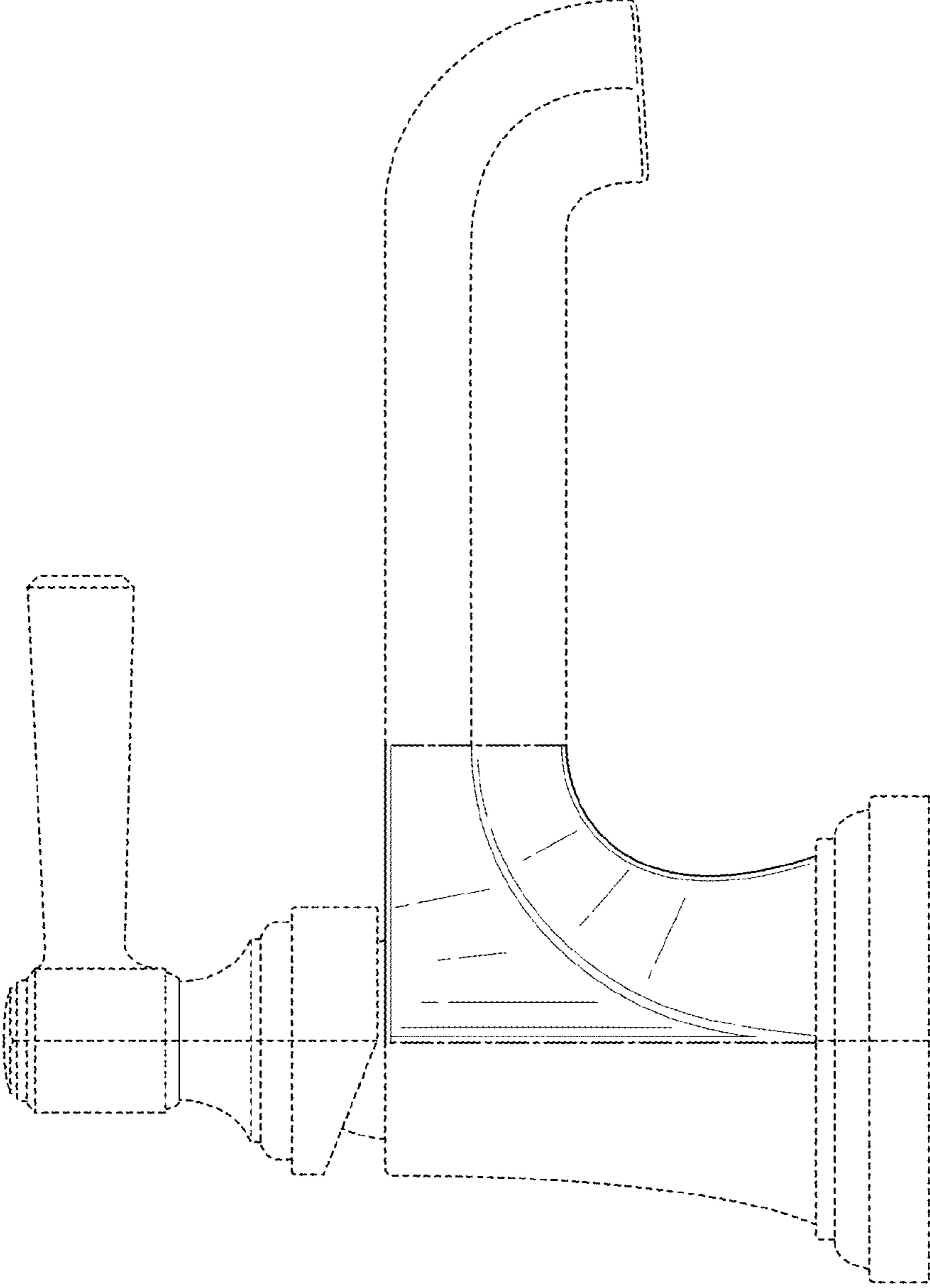


Fig. 5

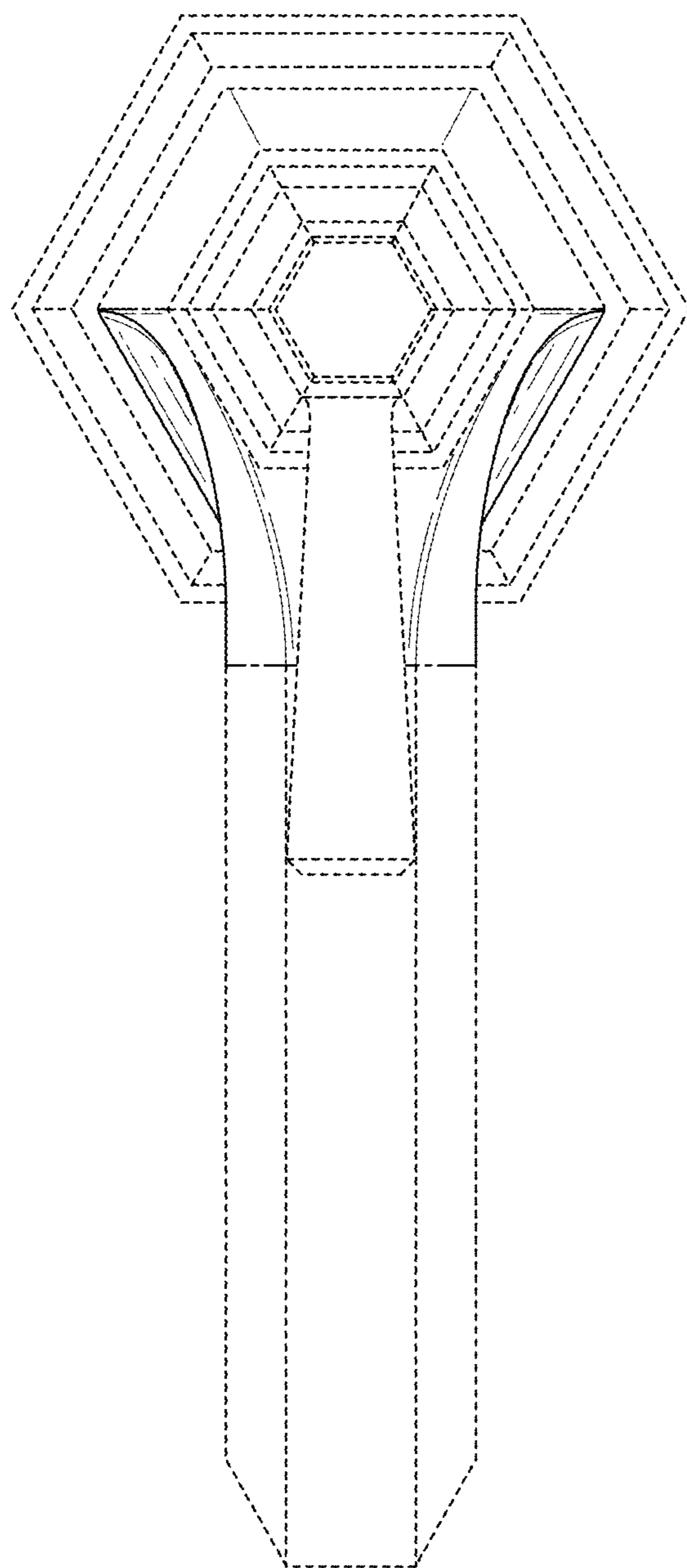


Fig. 6

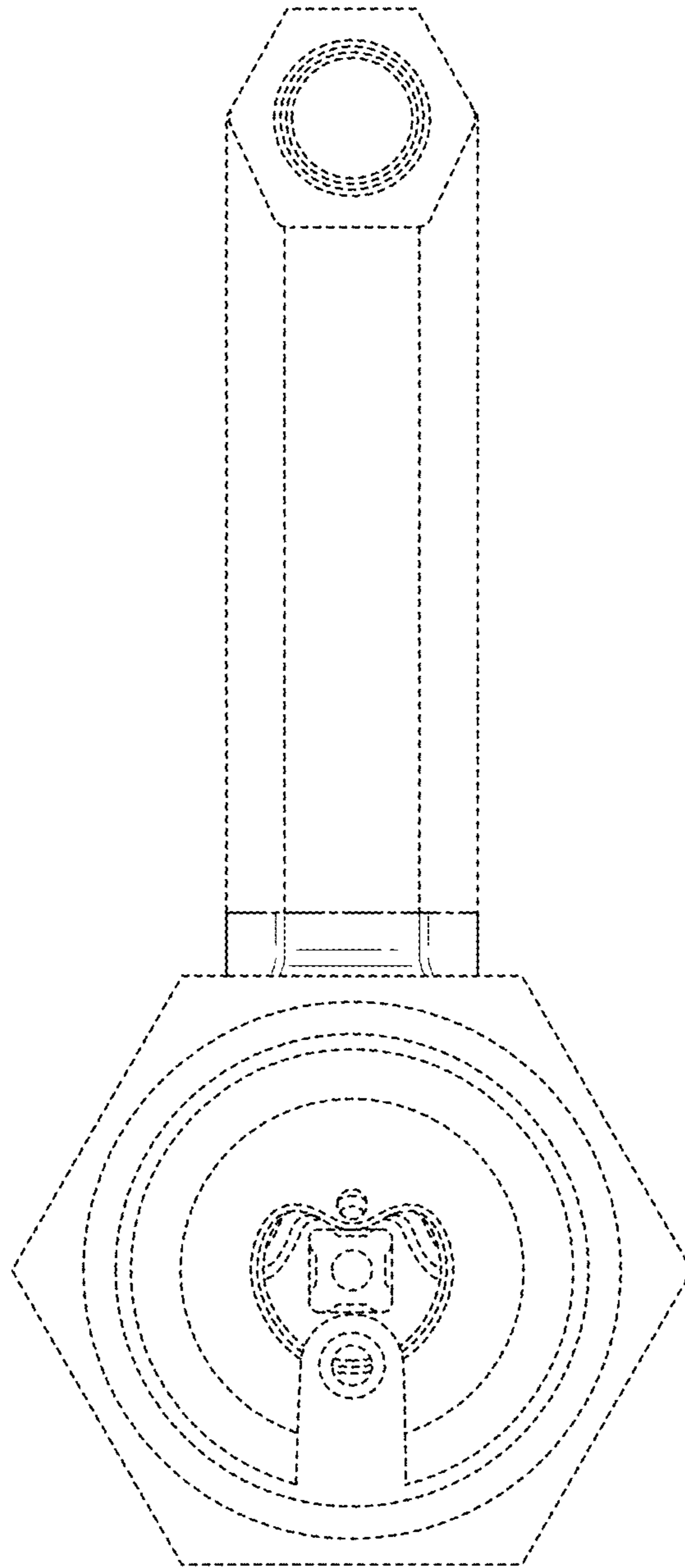


Fig. 7