



US00D718418S

(12) **United States Design Patent**  
**Georgeson et al.**

(10) **Patent No.:** **US D718,418 S**

(45) **Date of Patent:** **\*\* Nov. 25, 2014**

(54) **SHOWERHEAD**

(71) Applicant: **Kohler Co.**, Kohler, WI (US)

(72) Inventors: **Paul B. Georgeson**, Sheboygan, WI (US); **Rafael A. Rexach**, Sheboygan, WI (US)

(73) Assignee: **Kohler Co.**, Kohler, WI (US)

(\*\*) Term: **14 Years**

(21) Appl. No.: **29/462,739**

(22) Filed: **Aug. 7, 2013**

(51) **LOC (10) Cl.** ..... **23-01**

(52) **U.S. Cl.**  
USPC ..... **D23/213**

(58) **Field of Classification Search**  
USPC ..... D23/213, 229, 230; 239/282, 283, 548;  
4/615

See application file for complete search history.

(56) **References Cited**

U.S. PATENT DOCUMENTS

|          |     |         |                    |         |
|----------|-----|---------|--------------------|---------|
| 733,635  | A * | 7/1903  | Dunn               | 239/283 |
| D487,498 | S   | 3/2004  | Blomstrom          |         |
| D500,121 | S   | 12/2004 | Blomstrom          |         |
| D500,549 | S   | 1/2005  | Blomstrom          |         |
| D501,242 | S   | 1/2005  | Blomstrom          |         |
| D507,820 | S   | 7/2005  | Blomstrom          |         |
| D508,108 | S   | 8/2005  | Blomstrom          |         |
| D508,730 | S   | 8/2005  | Blomstrom          |         |
| D512,764 | S   | 12/2005 | Kohler, Jr. et al. |         |
| D524,412 | S   | 7/2006  | Blomstrom          |         |

|          |     |         |              |         |
|----------|-----|---------|--------------|---------|
| D534,987 | S   | 1/2007  | Eilmus       |         |
| D534,994 | S   | 1/2007  | Tsai         |         |
| D590,913 | S   | 4/2009  | Smith et al. |         |
| D605,249 | S * | 12/2009 | Bailey       | D23/213 |
| D620,076 | S * | 7/2010  | Jian et al.  | D23/223 |
| D638,100 | S * | 5/2011  | Juan         | D23/213 |
| D652,482 | S * | 1/2012  | Obara et al. | D23/213 |
| D667,927 | S * | 9/2012  | Linginfelter | D23/213 |

\* cited by examiner

*Primary Examiner* — Robin V Webster

(74) *Attorney, Agent, or Firm* — Foley & Lardner LLP

(57) **CLAIM**

The ornamental design for a showerhead, as shown and described.

**DESCRIPTION**

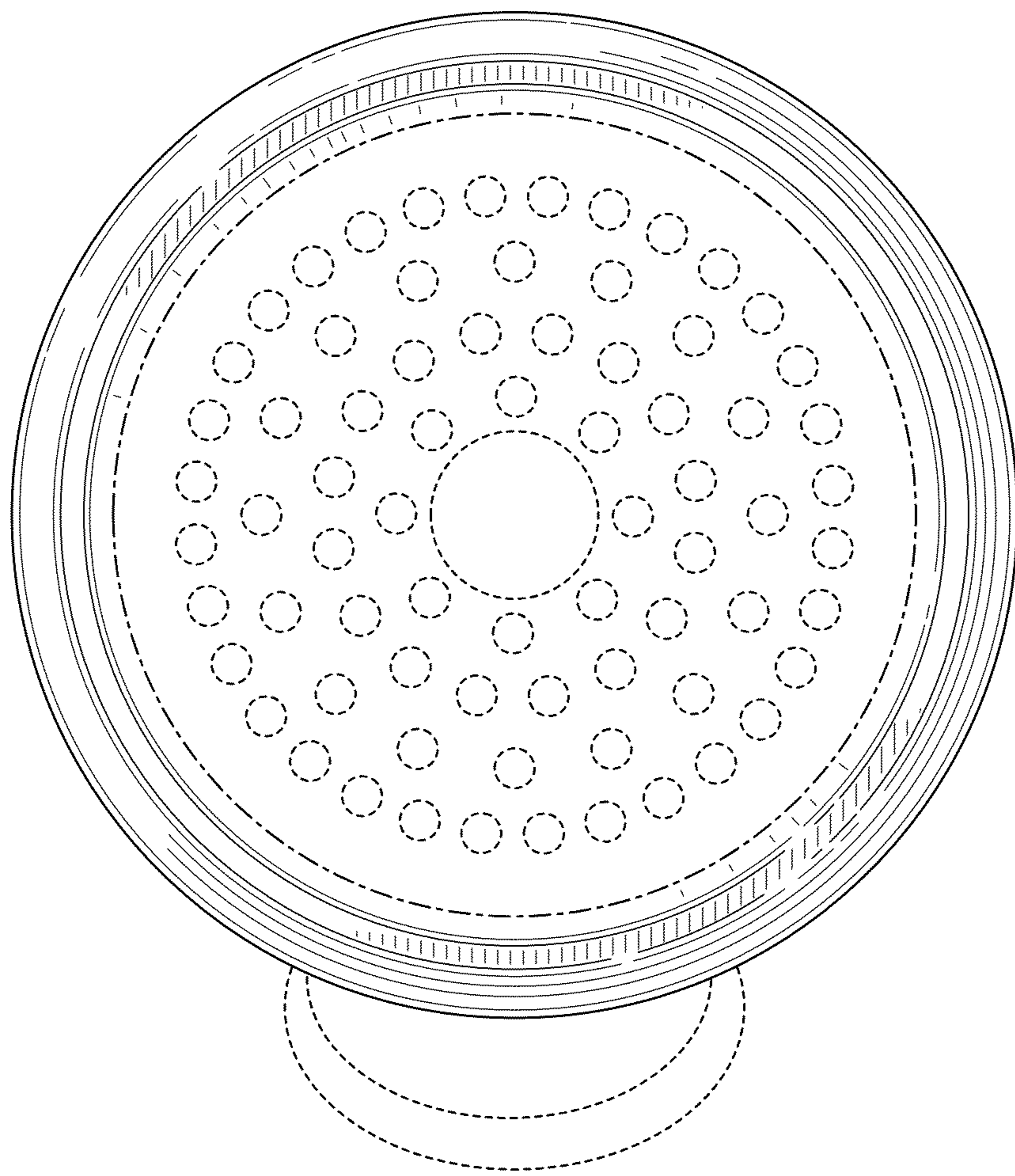
FIG. 1 is a perspective view of the claimed design;  
 FIG. 2 is a front view of the claimed design shown in FIG. 1;  
 FIG. 3 is a rear view of the claimed design shown in FIG. 1;  
 FIG. 4 is a side view of the claimed design shown in FIG. 1;  
 FIG. 5 is another side view of the claimed design shown in FIG. 1;  
 FIG. 6 is a top view of the claimed design shown in FIG. 1;  
 and,  
 FIG. 7 is a top view of the claimed design shown in FIG. 1.  
 The ornamental design which is claimed is shown in solid lines in the drawings. The broken lines in the drawings are for illustrative purposes only and form no part of the claimed design. Broken lines formed by equal length dashes show unclaimed portions of the design. Broken lines formed of unequal length dashes (i.e., dash-dot) show boundaries between claimed and unclaimed portions of the design.

**1 Claim, 7 Drawing Sheets**

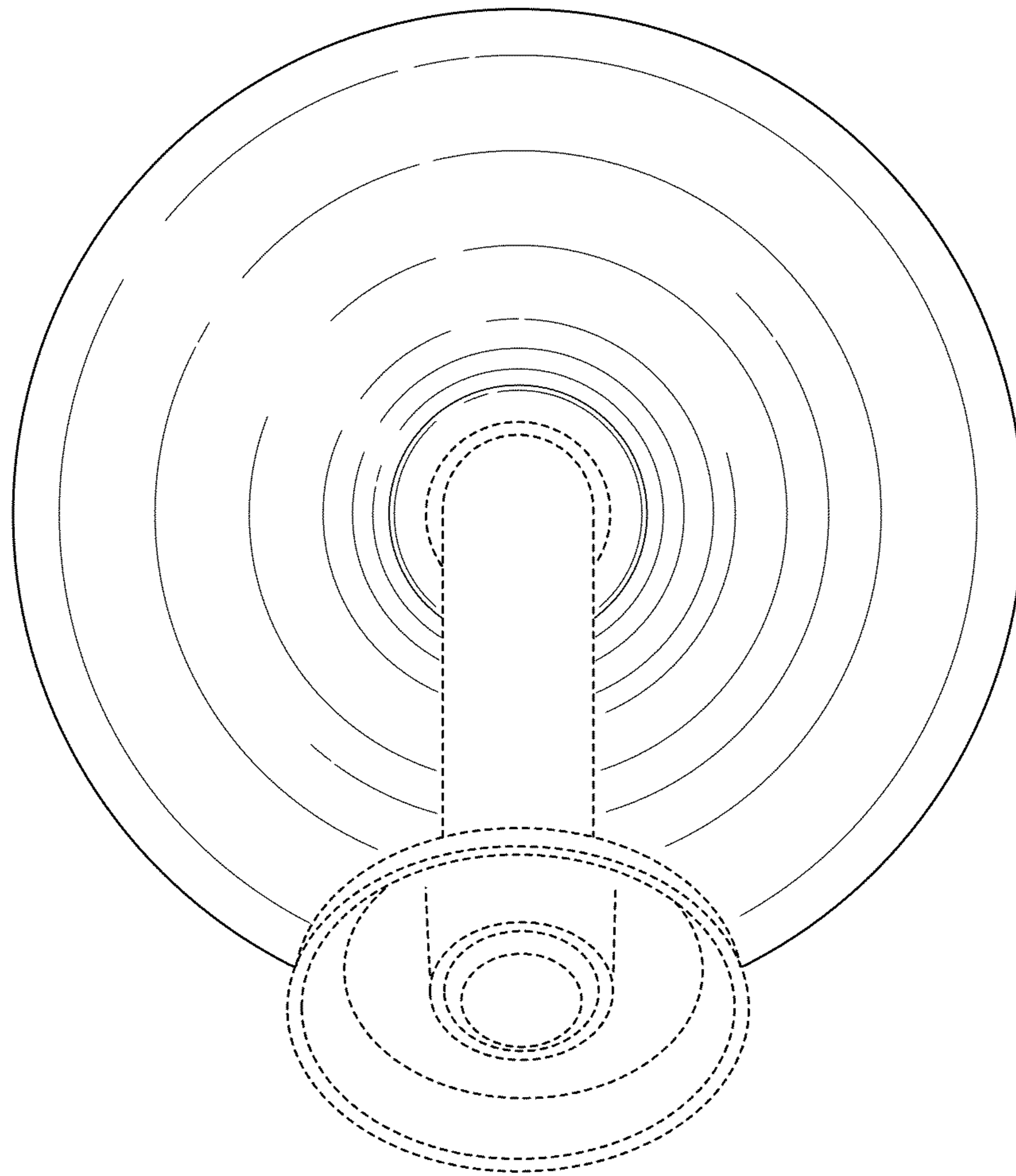




**FIG. 1**



**FIG. 2**



**FIG. 3**

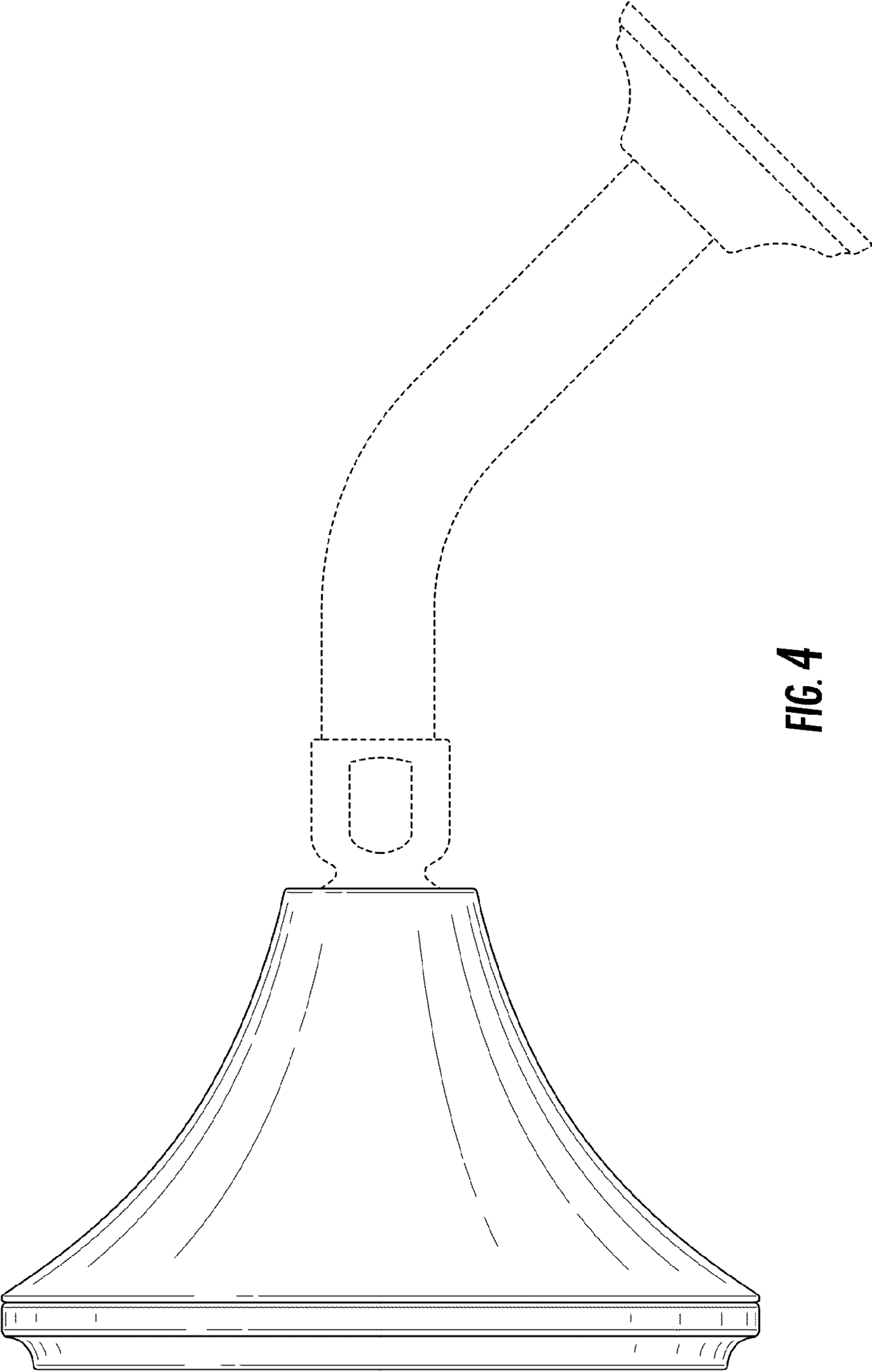


FIG. 4

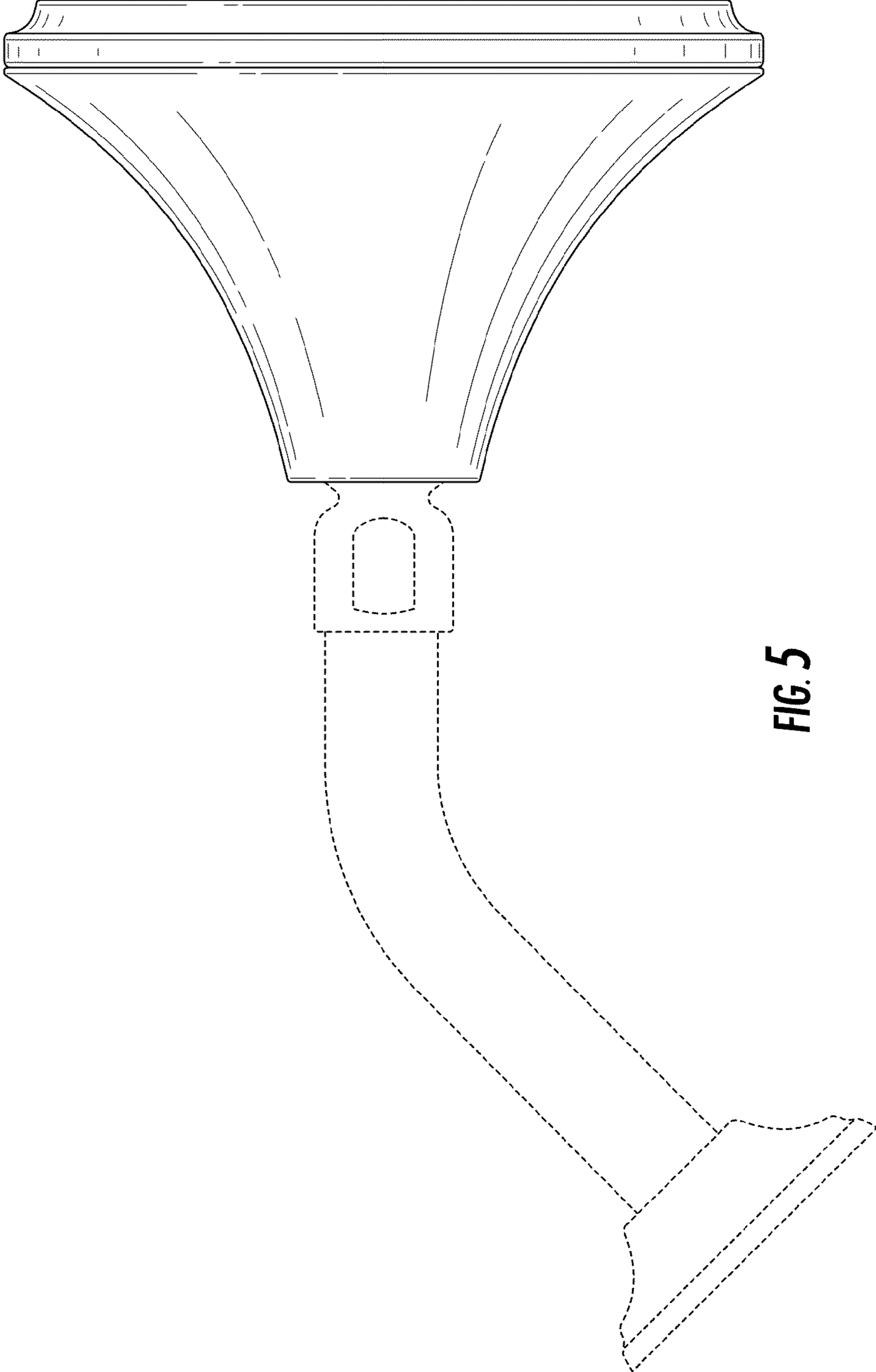
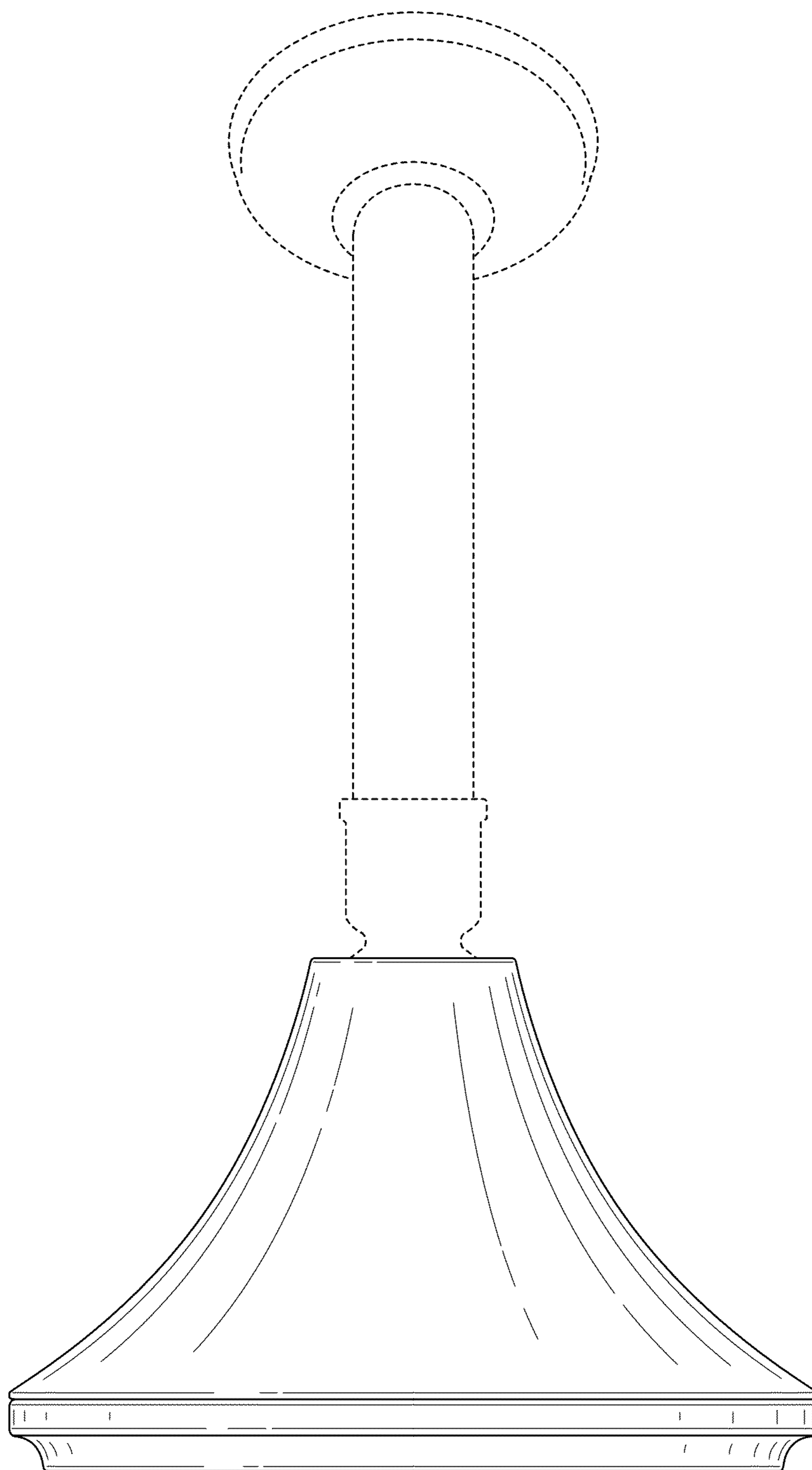
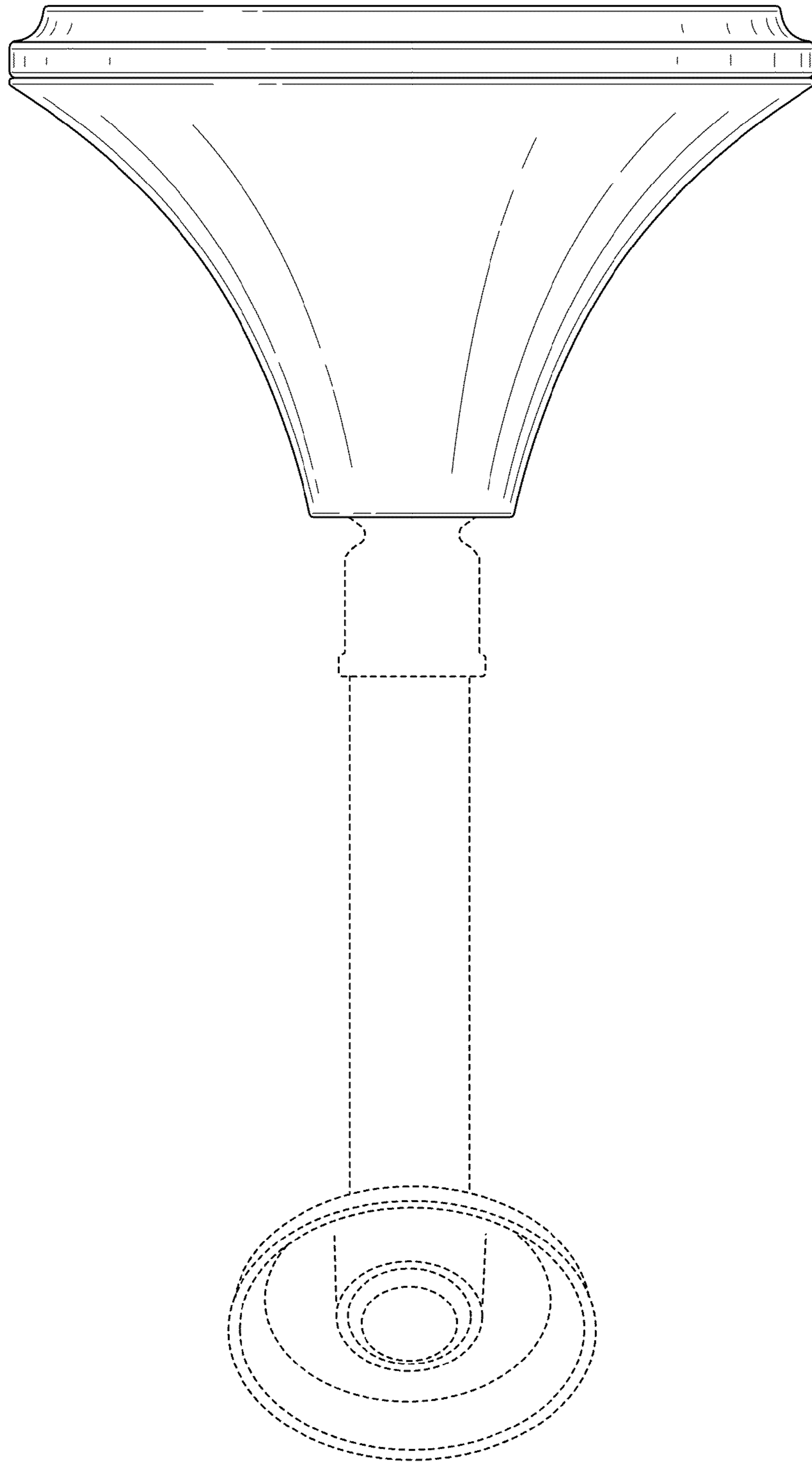


FIG. 5



**FIG. 6**



**FIG. 7**