



US00D718417S

(12) **United States Design Patent**
Harris

(10) **Patent No.:** **US D718,417 S**

(45) **Date of Patent:** **** Nov. 25, 2014**

(54) **PORTABLE WASH WATER FILTER FOR VEHICLES, BOATS, AND AIRCRAFT**

(71) Applicant: **James E. Harris**, Fort Lauderdale, FL (US)

(72) Inventor: **James E. Harris**, Fort Lauderdale, FL (US)

(**) Term: **14 Years**

(21) Appl. No.: **29/457,510**

(22) Filed: **Jun. 11, 2013**

(51) **LOC (10) Cl.** **23-01**

(52) **U.S. Cl.**
USPC **D23/209**

(58) **Field of Classification Search**
CPC B01D 21/34; B01D 27/08
USPC D23/207, 209; 210/244, 238, 464
See application file for complete search history.

(56) **References Cited**

U.S. PATENT DOCUMENTS

4,897,187 A * 1/1990 Rice 210/137
D311,766 S * 10/1990 Carrano et al. D23/207
D312,679 S * 12/1990 Carrano et al. D23/207

5,188,727 A * 2/1993 Kurth et al. 210/85
7,402,244 B2 * 7/2008 Yang 210/232
7,658,846 B1 * 2/2010 Yang 210/232
7,799,219 B2 * 9/2010 Reamsnyder et al. 210/248
7,988,853 B2 * 8/2011 Tsai 210/238

* cited by examiner

Primary Examiner — Robin V Webster

(74) *Attorney, Agent, or Firm* — Malin Haley DiMaggio & Bowen, P.A.

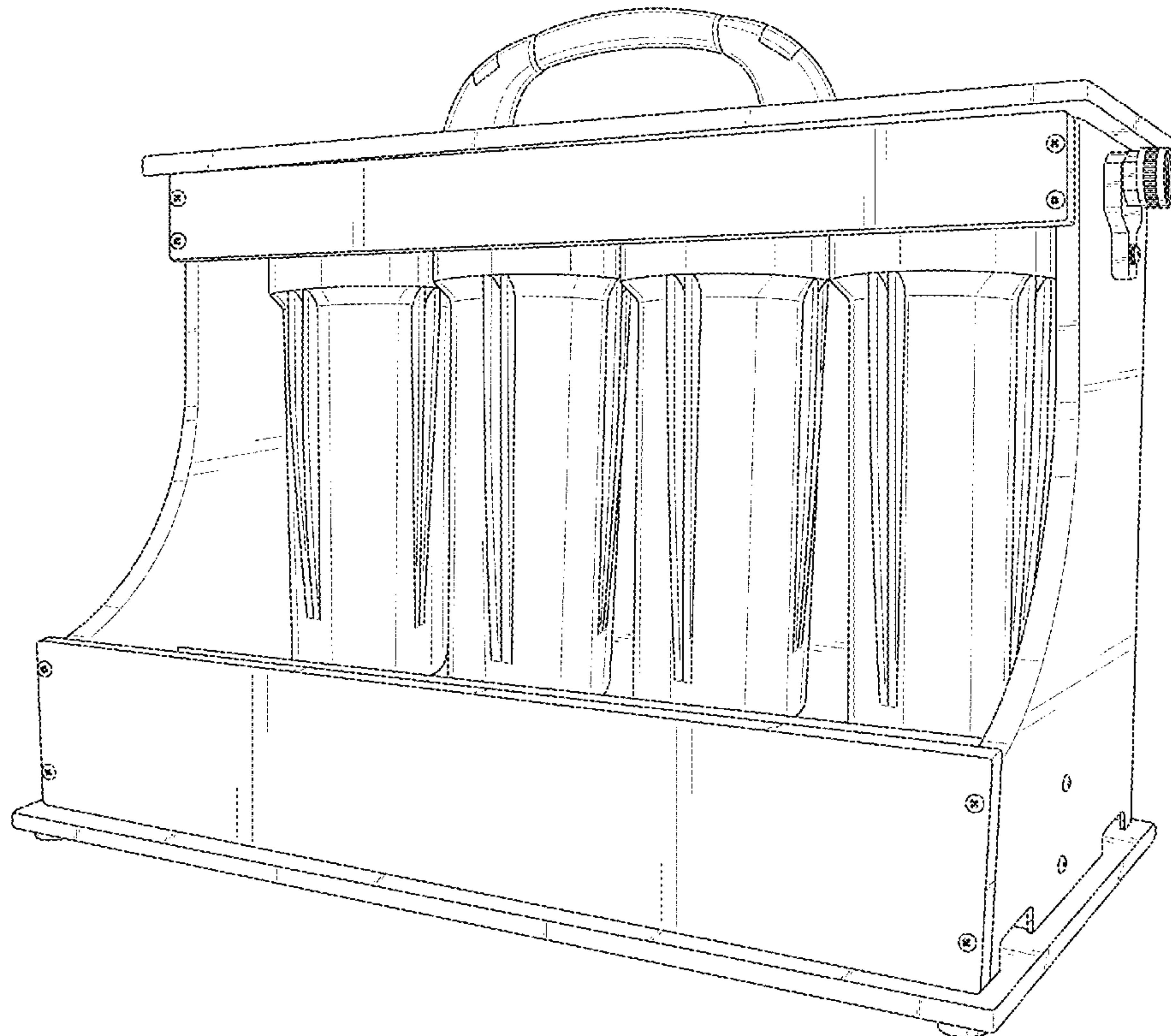
(57) **CLAIM**

The ornamental design for a portable wash water filter for vehicles, boats, and aircraft, as shown and described.

DESCRIPTION

FIG. 1 is a front perspective view of the present invention, showing the new design;
FIG. 2 is a front elevational view thereof;
FIG. 3 is a back elevational view thereof;
FIG. 4 is a left side elevational view thereof;
FIG. 5 is a right side elevational view thereof;
FIG. 6 is a top plan view thereof; and,
FIG. 7 is a bottom plan view thereof.

1 Claim, 7 Drawing Sheets



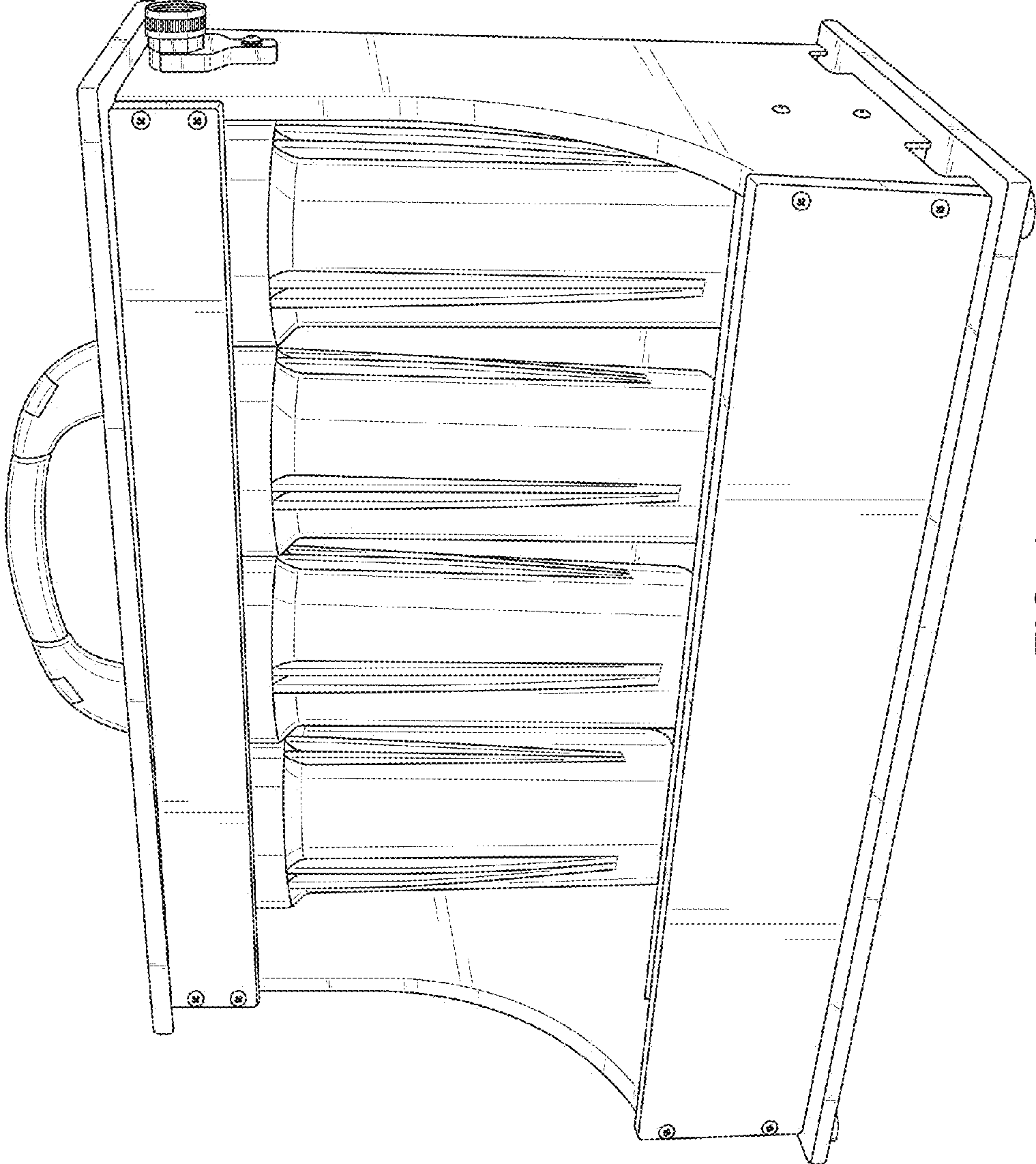


FIG. 1

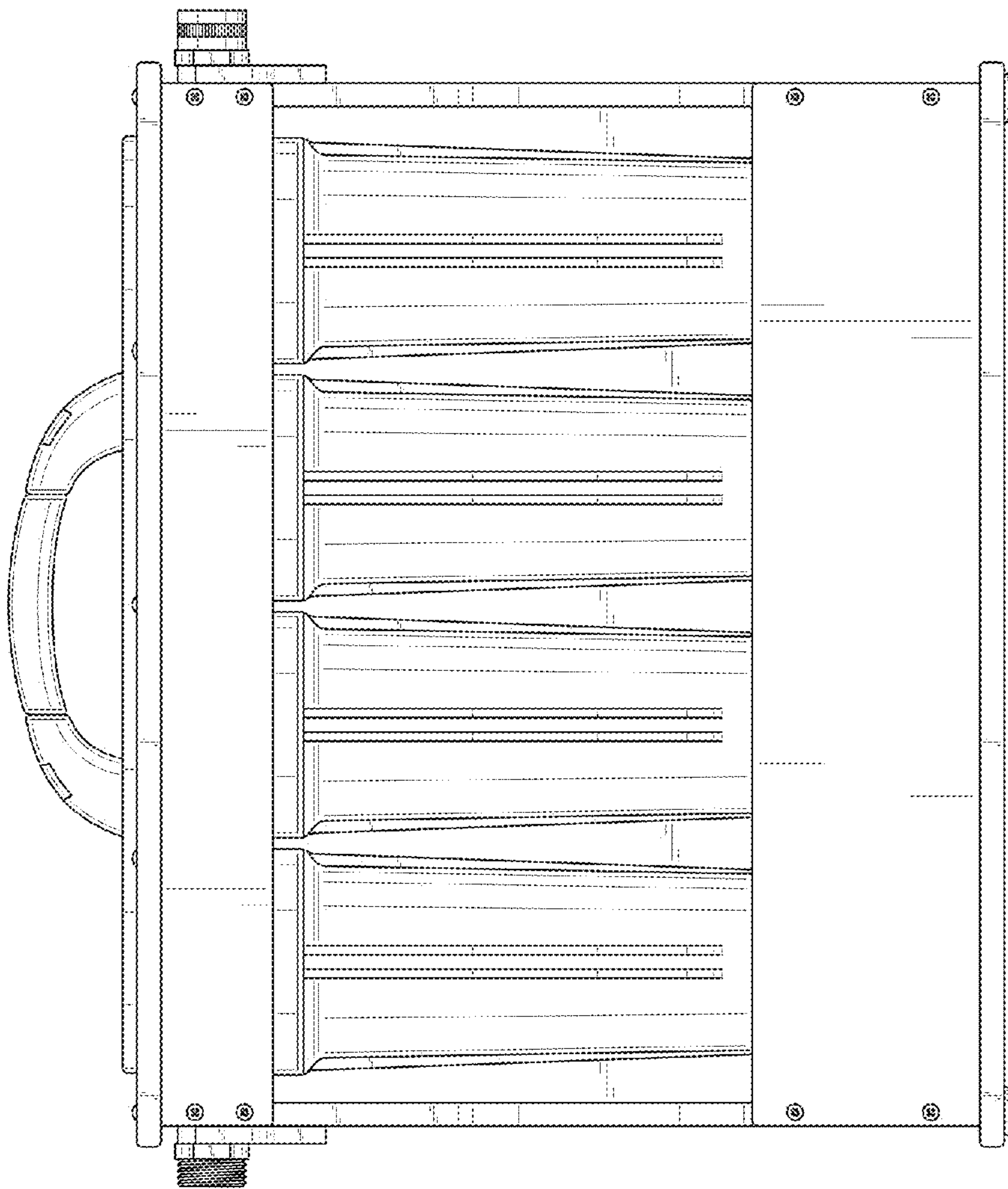


FIG. 2

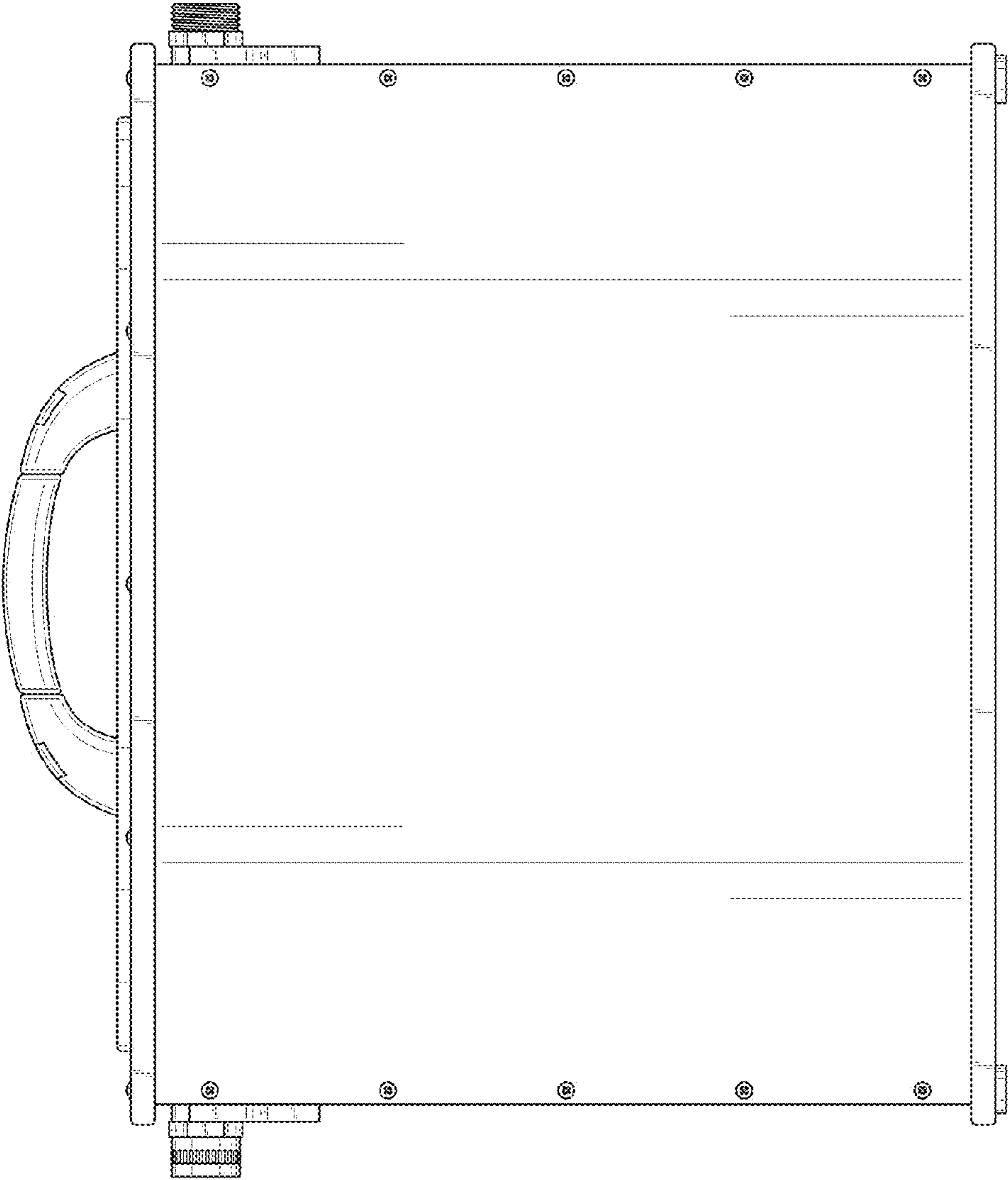


FIG. 3

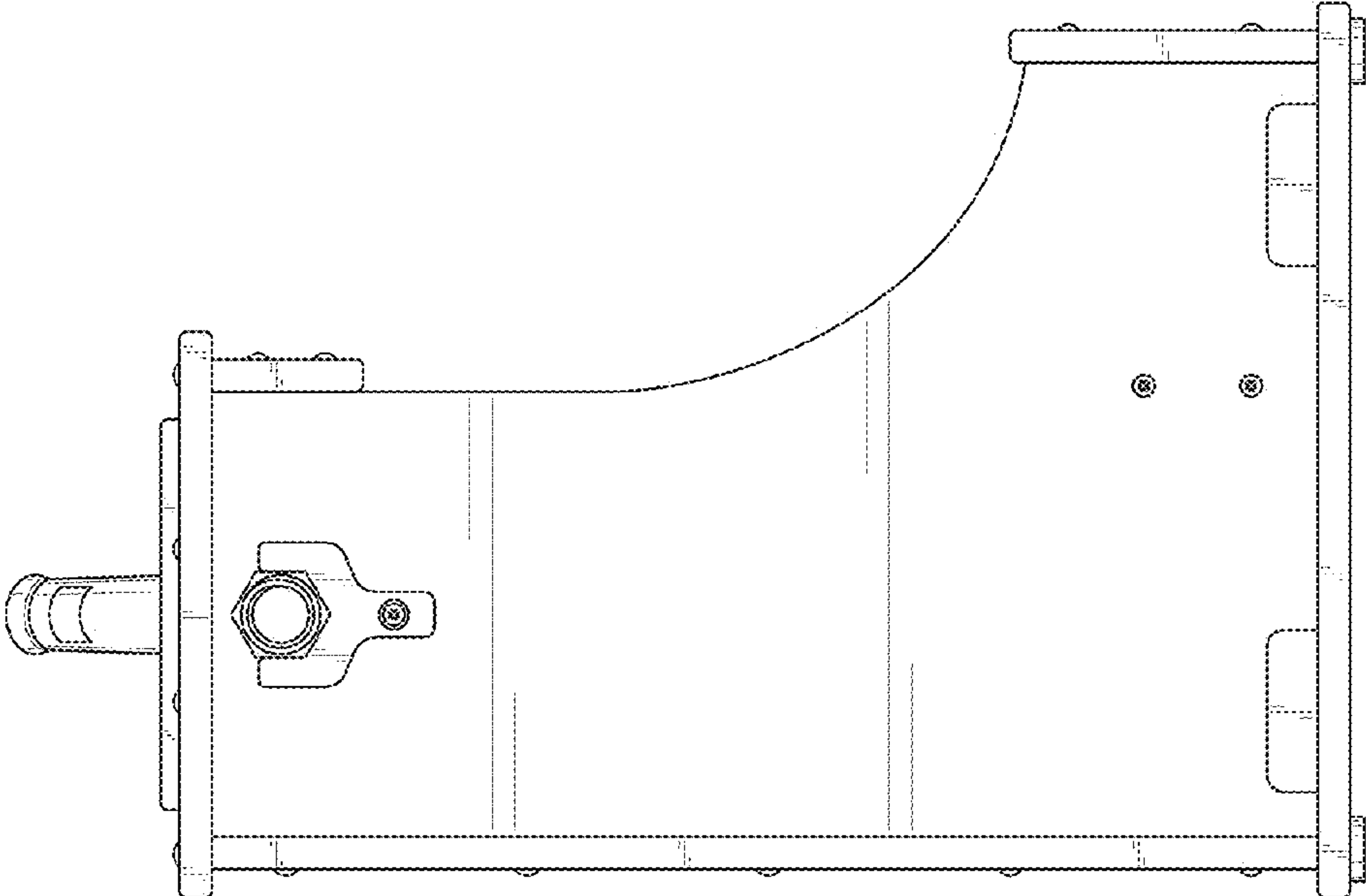


FIG. 4

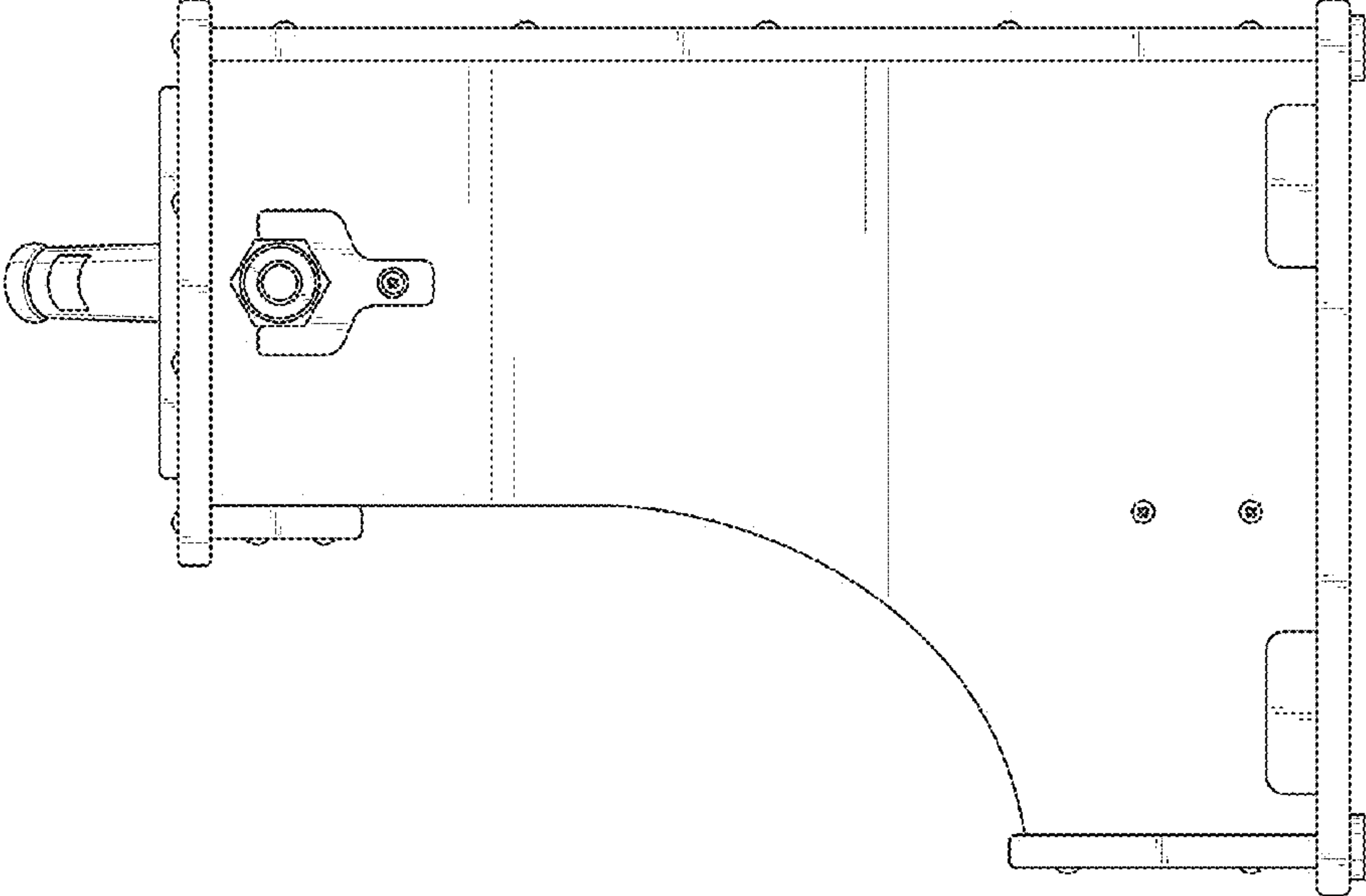


FIG. 5

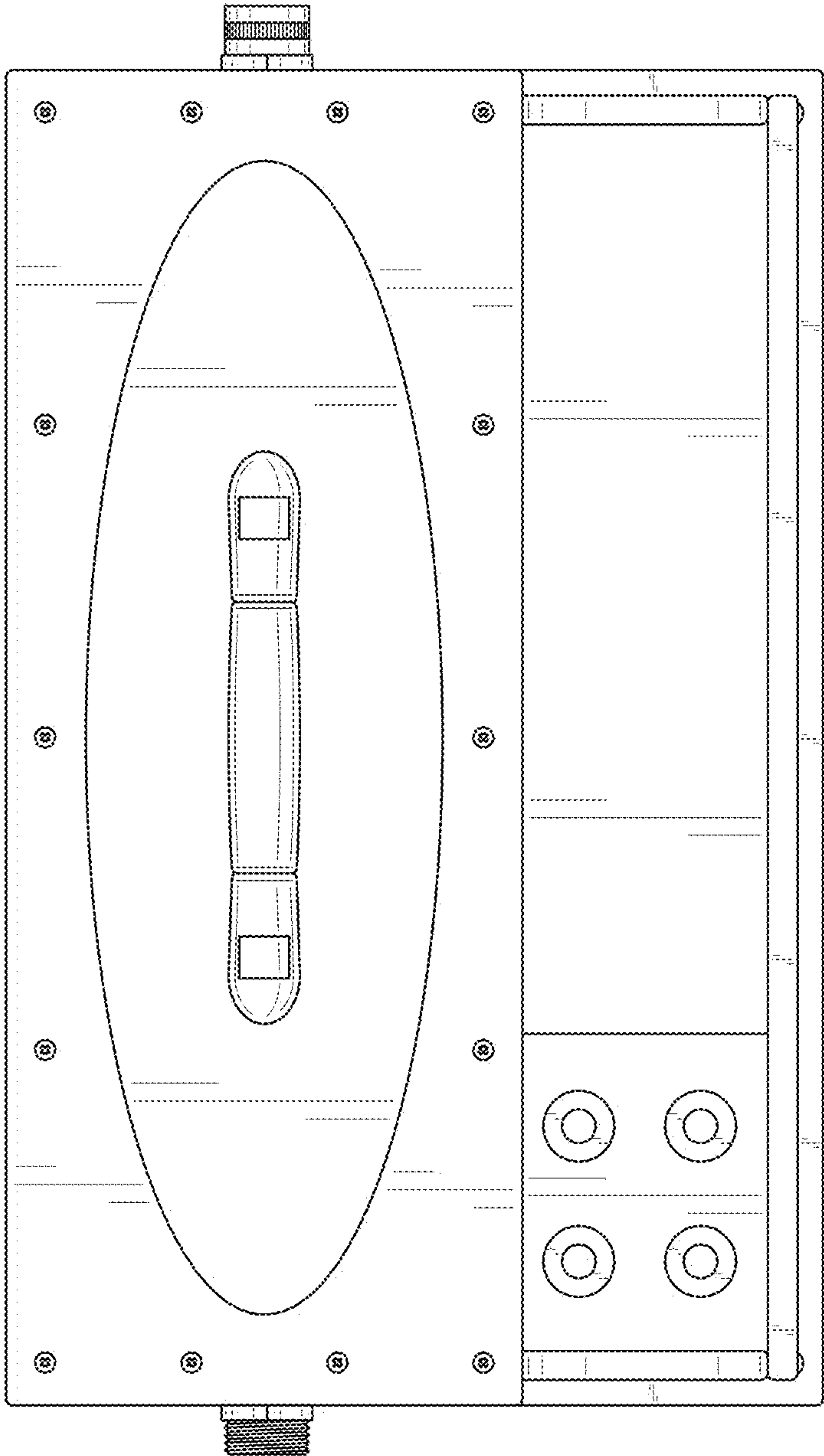


FIG. 6

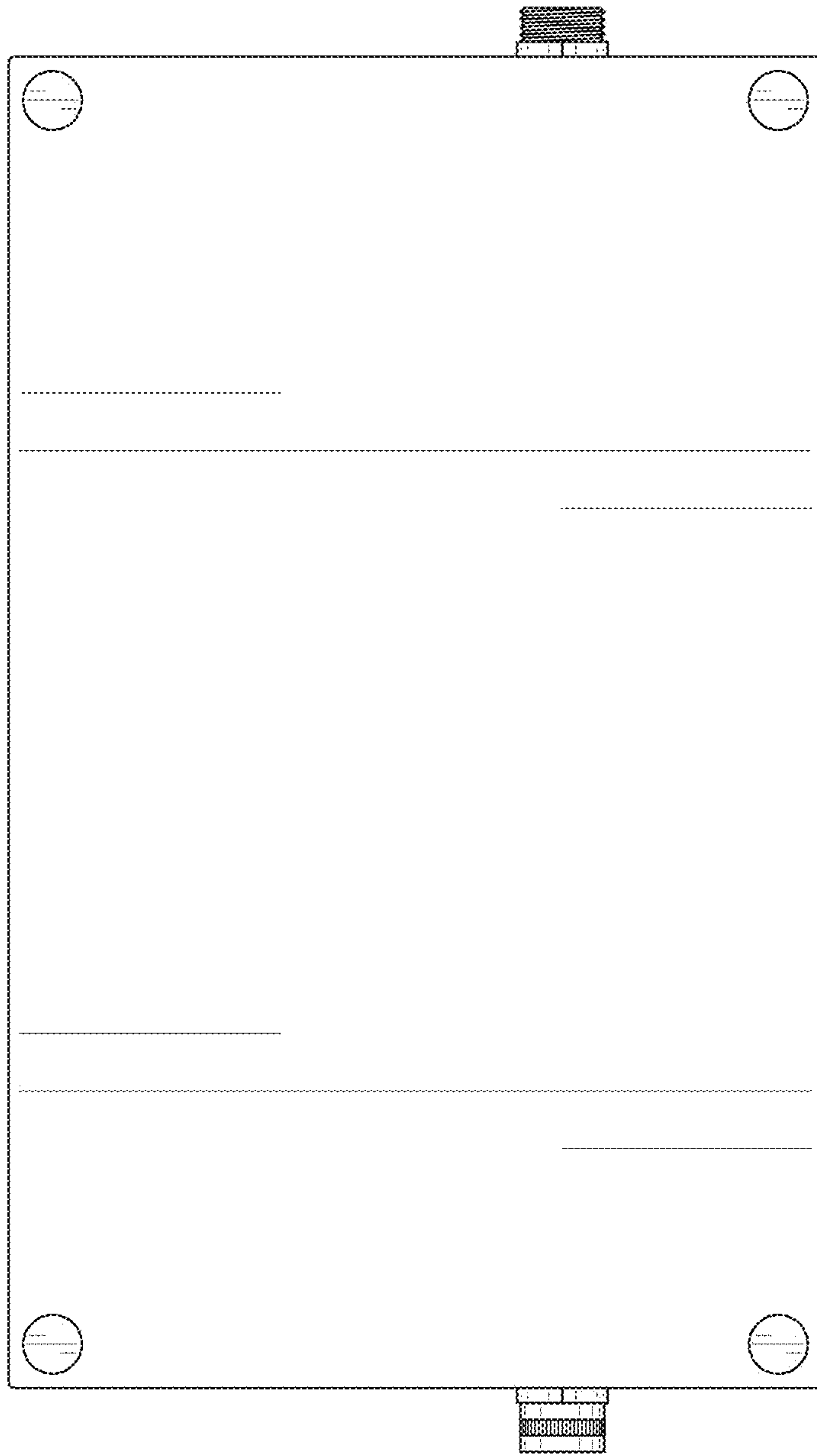


FIG. 7