



US00D718416S

(12) **United States Design Patent**
Reilly et al.

(10) **Patent No.:** **US D718,416 S**

(45) **Date of Patent:** **** Nov. 25, 2014**

(54) **WATER FILTRATION DEVICE**

(71) Applicants: **Kevin Thomas Reilly**, Vancouver (CA);
Bradley Scott Pierik, Vancouver (CA)

(72) Inventors: **Kevin Thomas Reilly**, Vancouver (CA);
Bradley Scott Pierik, Vancouver (CA)

(73) Assignee: **Twothirds Water Inc**, Vancouver,
British Columbia (CA)

(**) Term: **14 Years**

(21) Appl. No.: **29/457,109**

(22) Filed: **Jun. 7, 2013**

(51) **LOC (10) Cl.** **23-01**

(52) **U.S. Cl.**
USPC **D23/209**

(58) **Field of Classification Search**
USPC D23/207, 209; 210/238, 497.01, 282
See application file for complete search history.

(56) **References Cited**

U.S. PATENT DOCUMENTS

D265,227 S * 6/1982 Jolley D23/207
D297,857 S * 9/1988 Alexander et al. D23/207

D547,822 S * 7/2007 Kennedy et al. D23/207
D547,823 S * 7/2007 Kennedy et al. D23/207
D547,825 S * 7/2007 Kennedy et al. D23/209
D548,306 S * 8/2007 Kennedy et al. D23/209

* cited by examiner

Primary Examiner — Robin V Webster

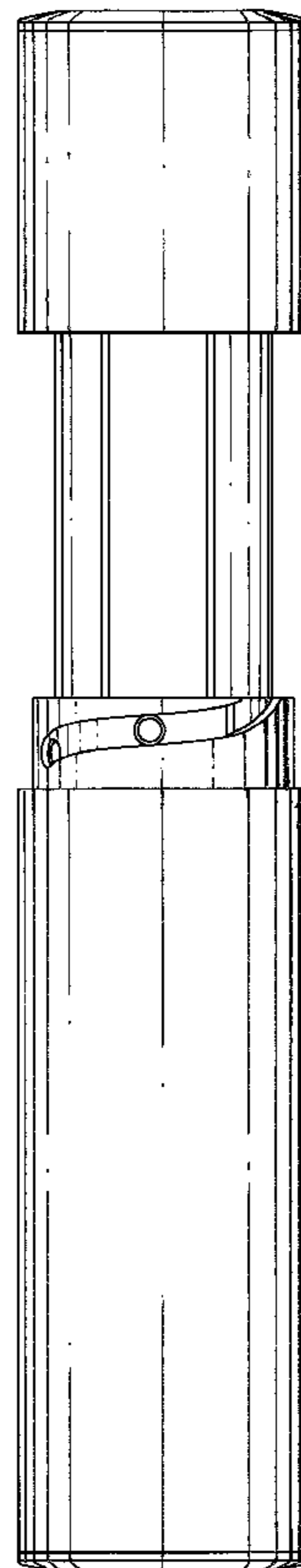
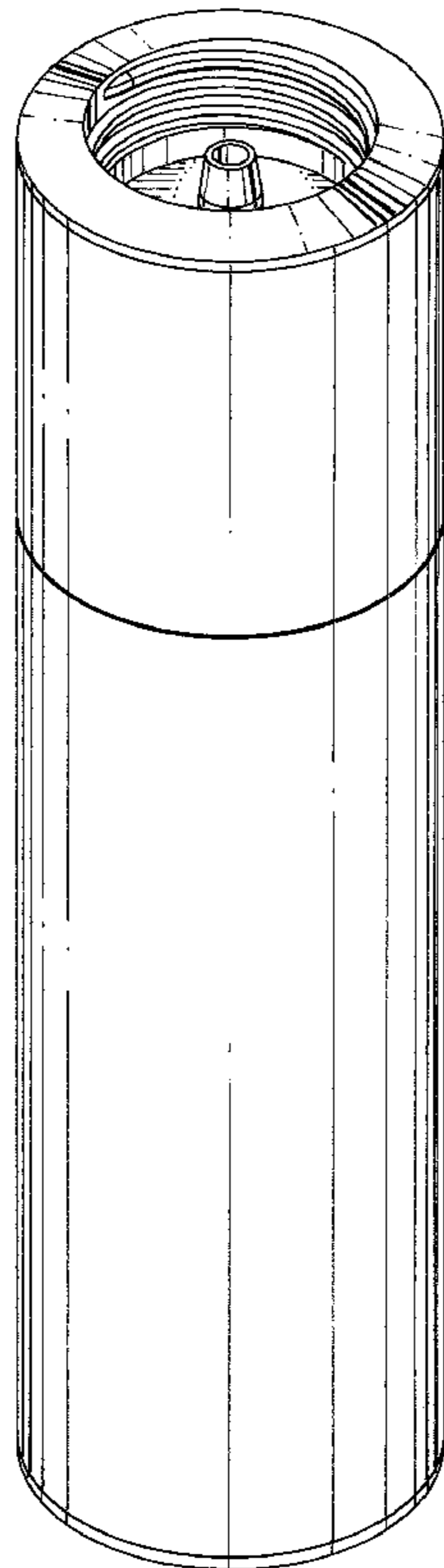
(57) **CLAIM**

We claim the ornamental design for a water filtration device,
as shown and described.

DESCRIPTION

FIG. 1 is a top, front, side perspective view of a water filtration device showing our new design;
FIG. 2 is a front elevation view thereof, it being understood that the right, left and rear views are duplicates of and are therefore not separately illustrated;
FIG. 3 is a top plan view thereof;
FIG. 4 is a bottom plan view thereof;
FIG. 5 is a top, front, side perspective view of the device depicted in FIG. 1 in an alternate operational mode; and,
FIG. 6 is a front elevation view of the device depicted in FIG. 1 in an alternate operational mode, it being understood that the rear view is a duplicate of and is therefore not separately illustrated.

1 Claim, 4 Drawing Sheets



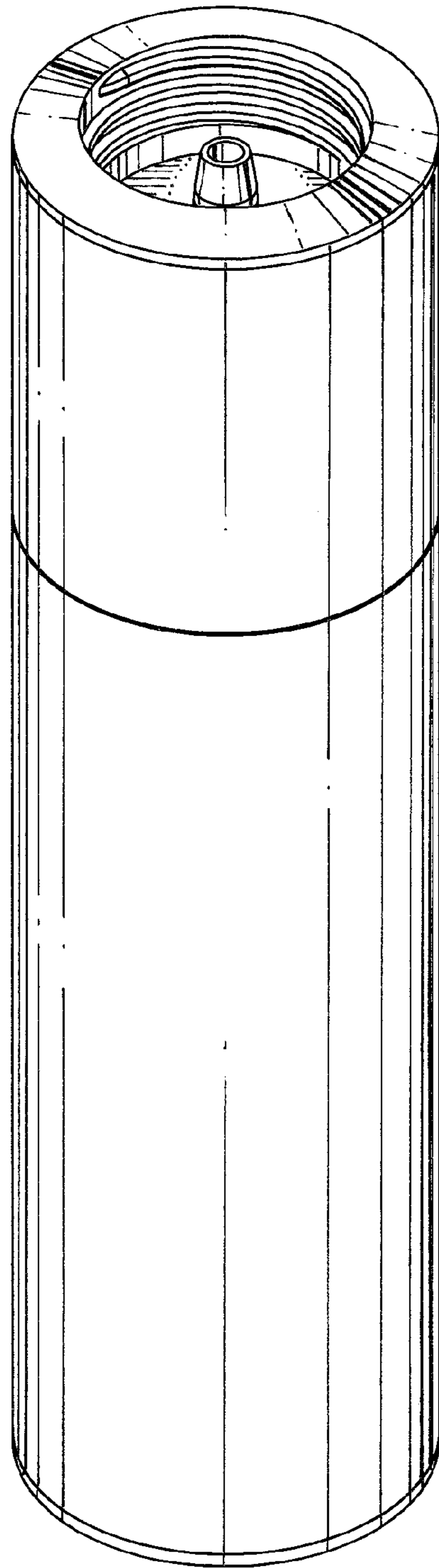


FIG. 1

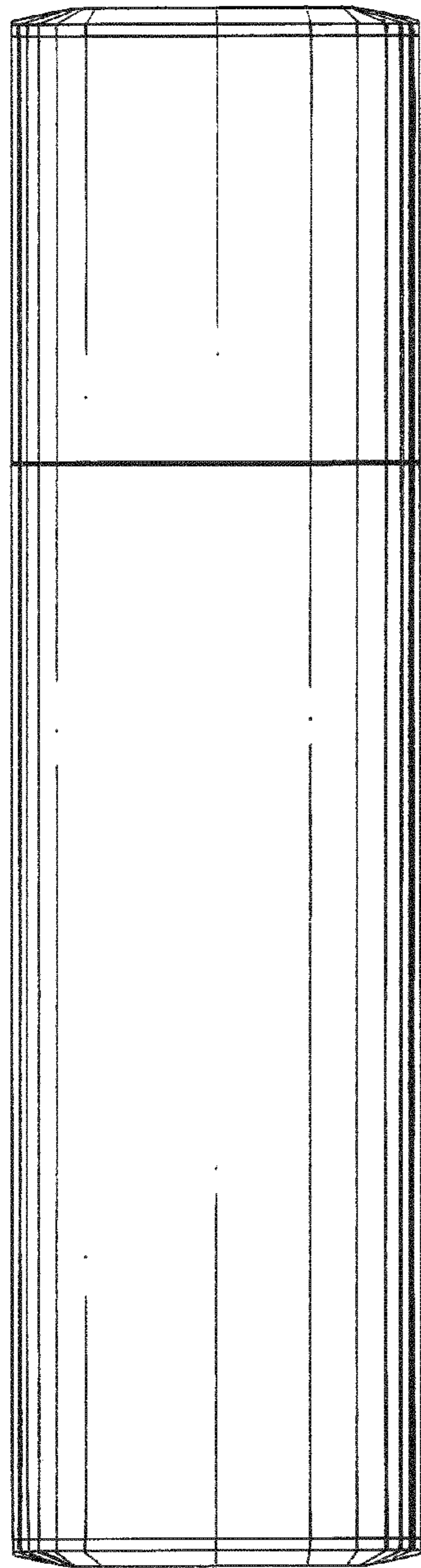


FIG. 2

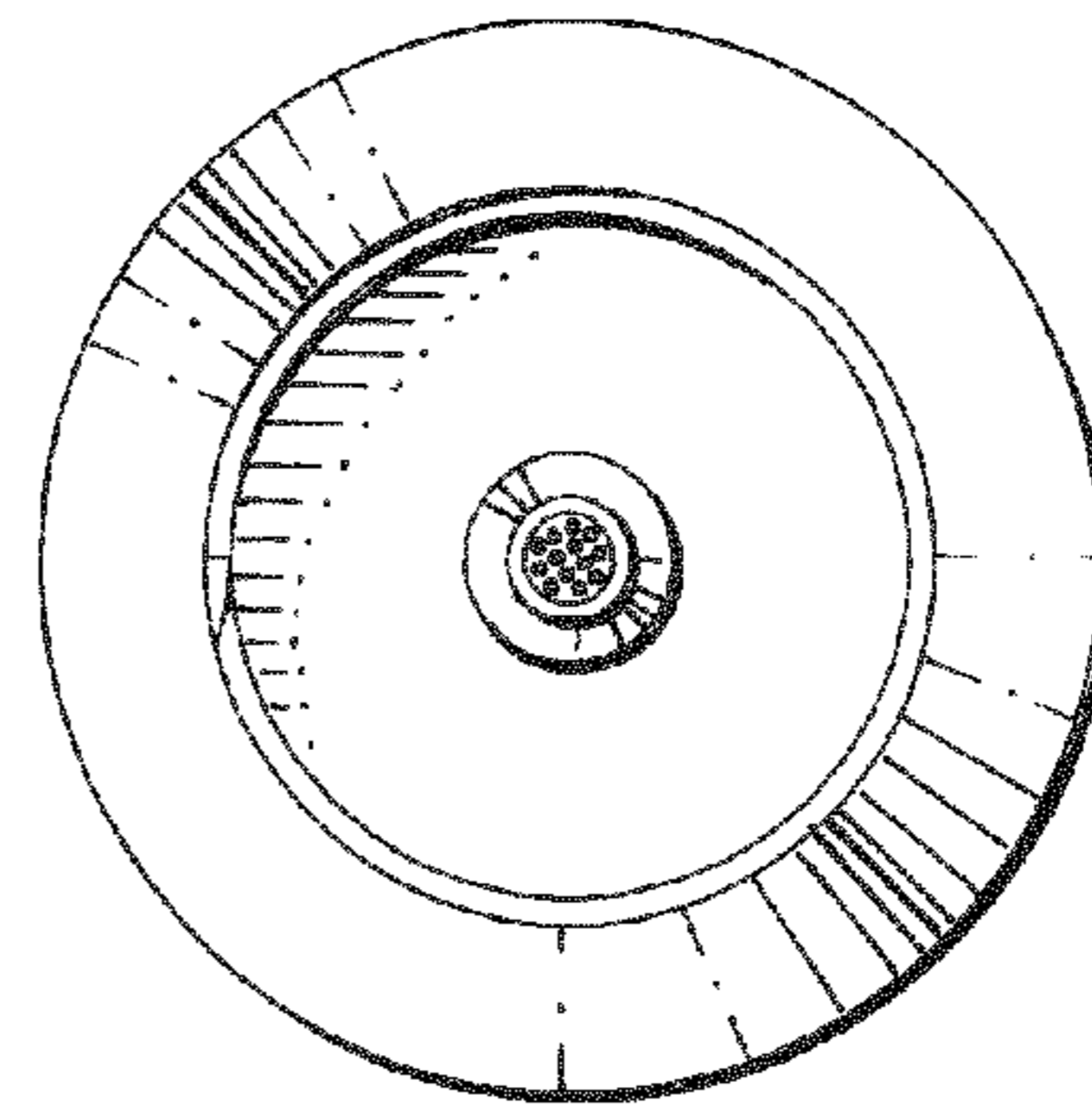


FIG. 3

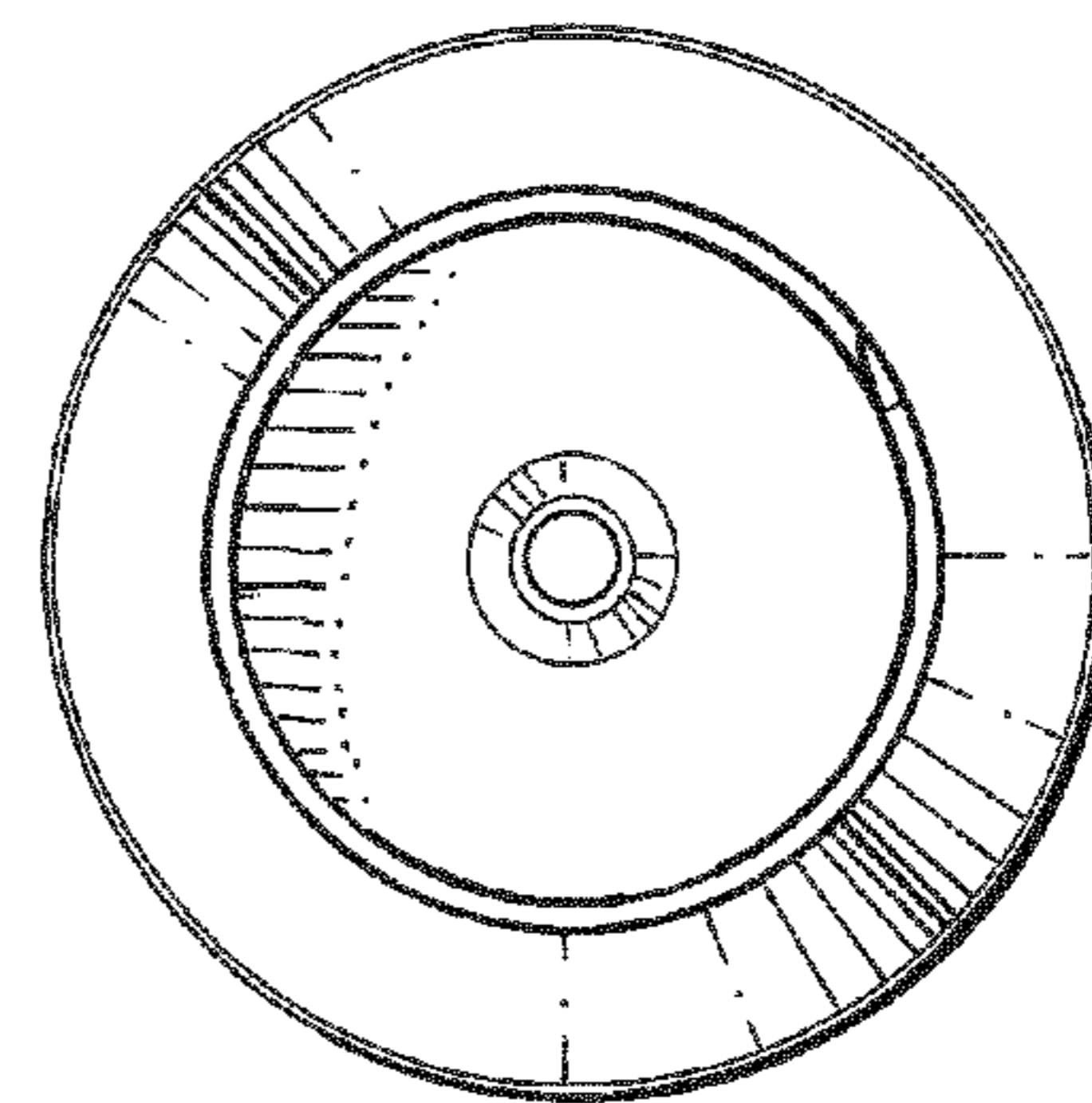


FIG. 4

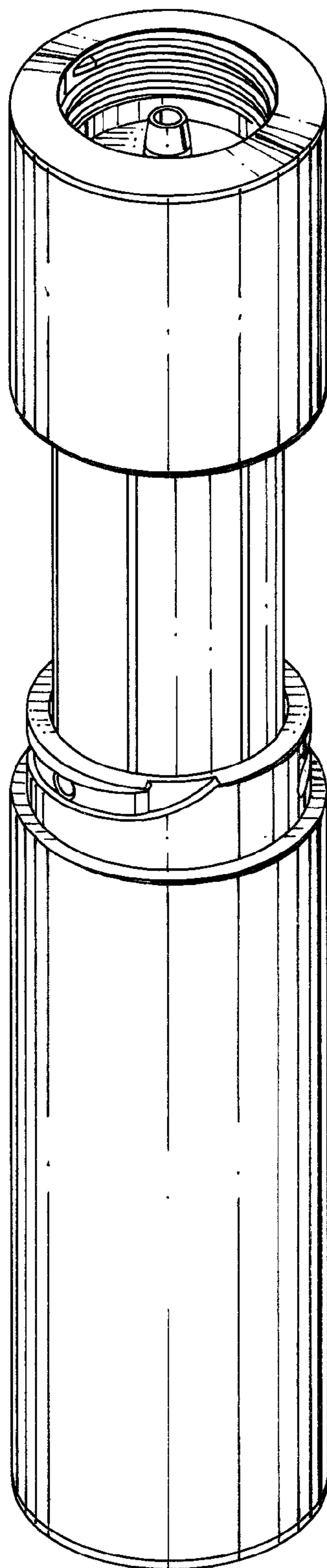


FIG. 5

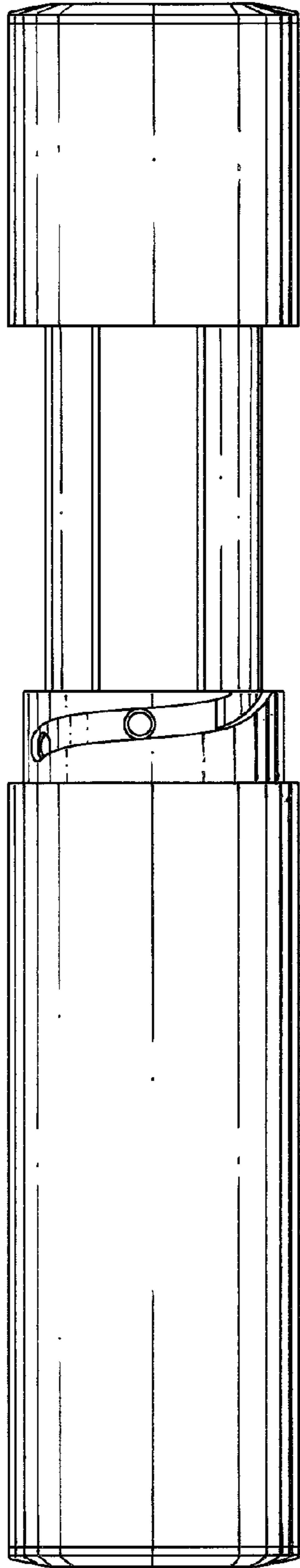


FIG. 6