



US00D718414S

(12) **United States Design Patent**  
**Lo**

(10) **Patent No.:** **US D718,414 S**

(45) **Date of Patent:** **\*\* Nov. 25, 2014**

(54) **WATER PURIFIER**

(71) Applicant: **Airgle Corporation**, Flushing, NY (US)

(72) Inventor: **Yang Zhen Lo**, Flushing, NY (US)

(\*\*) Term: **14 Years**

(21) Appl. No.: **29/471,252**

(22) Filed: **Oct. 30, 2013**

(51) **LOC (10) Cl.** ..... **23-01**

(52) **U.S. Cl.**  
USPC ..... **D23/207; D7/311**

(58) **Field of Classification Search**  
USPC ..... D23/207, 209; D7/311, 312; 222/185.1;  
210/241, 435  
See application file for complete search history.

(56) **References Cited**

U.S. PATENT DOCUMENTS

D454,023 S *	3/2002	Wang	.....	D7/309
D486,880 S *	2/2004	Gracias et al.	.....	D23/207
D506,525 S *	6/2005	Wang	.....	D23/207
D669,154 S *	10/2012	Choi	.....	D23/207
D672,187 S *	12/2012	Milewski et al.	.....	D7/306
D674,231 S *	1/2013	Wilder et al.	.....	D7/306
D683,421 S *	5/2013	Choi	.....	D23/207
D703,477 S *	4/2014	Celli et al.	.....	D7/306

\* cited by examiner

*Primary Examiner* — Robin V Webster

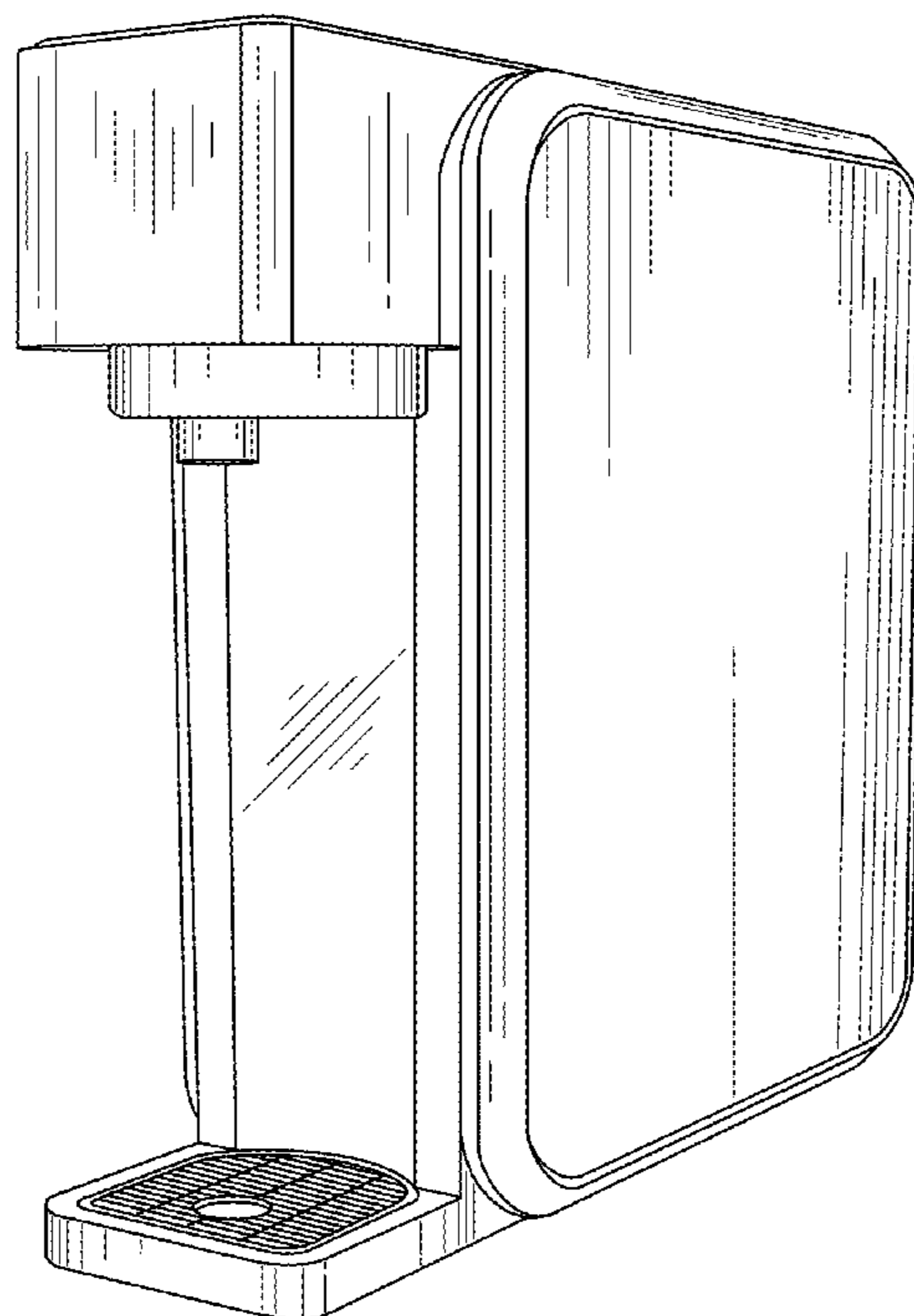
(57) **CLAIM**

The ornamental design for a water purifier, as shown and described.

**DESCRIPTION**

FIG. 1 illustrates a front view of the water purifier in accordance with a preferred embodiment of the present invention; FIG. 2 illustrates a top view of the water purifier in accordance with a preferred embodiment of the present invention; FIG. 3 illustrates a rear view of the water purifier in accordance with a preferred embodiment of the present invention; FIG. 4 illustrates a right side view of the water purifier showing removable cover in accordance with a preferred embodiment of the present invention; FIG. 5 illustrates a left side view of the water purifier showing removable cover in accordance with a preferred embodiment of the present invention; FIG. 6 illustrates a perspective view of the water purifier in accordance with a preferred embodiment of the present invention; FIG. 7 illustrates a top perspective view of the water purifier in accordance with a preferred embodiment of the present invention; FIG. 8 illustrates a top view of the water purifier showing pressure sensitive buttons in accordance with an exemplary embodiment of the present invention; and, FIG. 9 illustrates another top perspective view of the water purifier showing pressure sensitive buttons in accordance with an exemplary embodiment of the present invention. The broken line showing of pressure sensitive buttons in FIGS. 8 and 9 is included for the purpose of illustrating and forms no part of the claimed design.

**1 Claim, 9 Drawing Sheets**



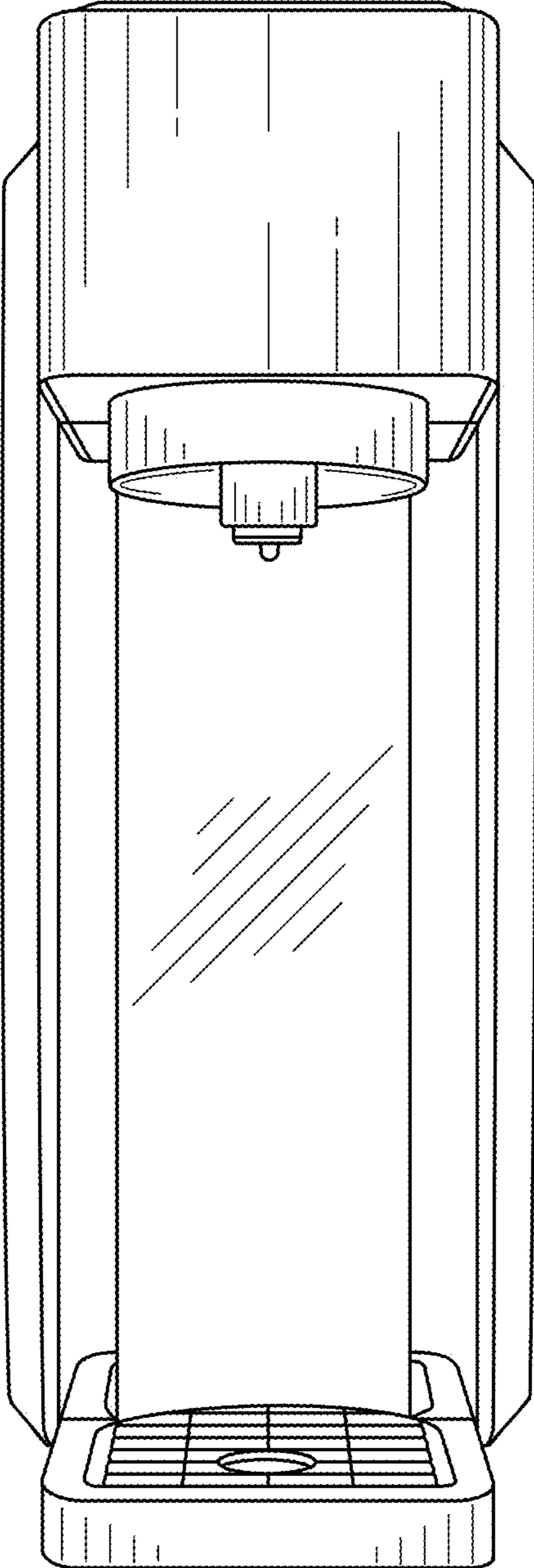


FIG. 1

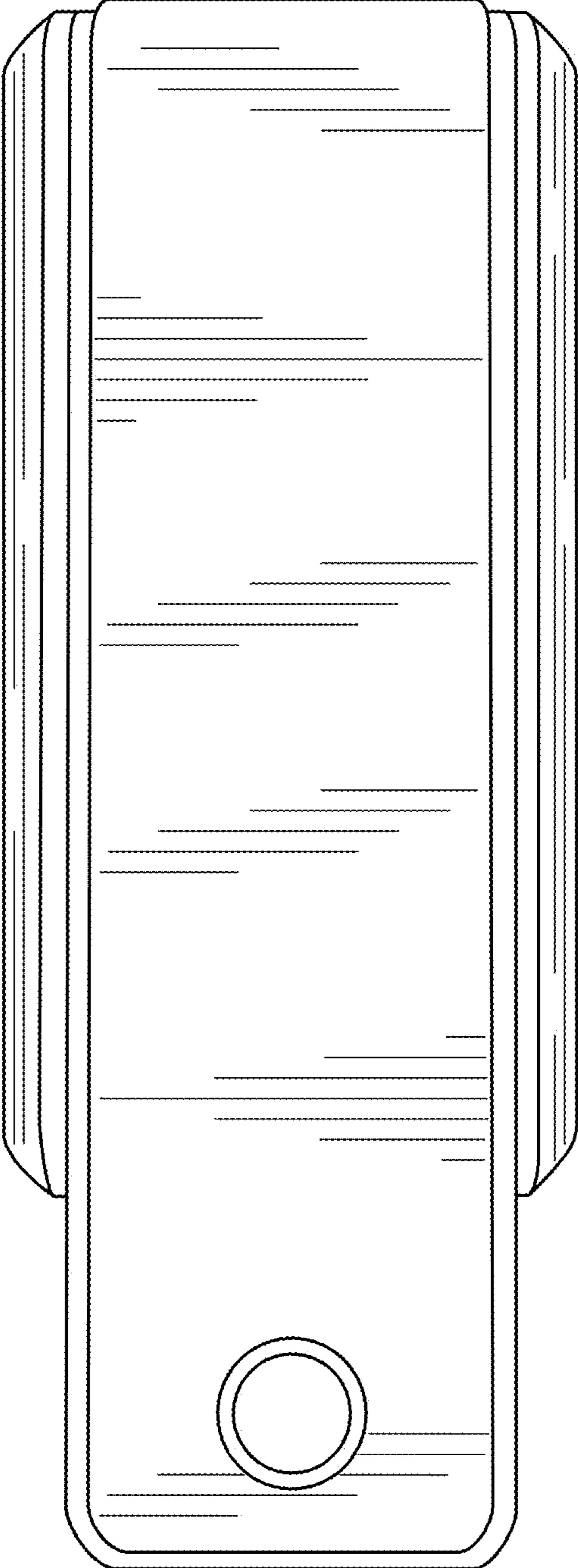


FIG. 2

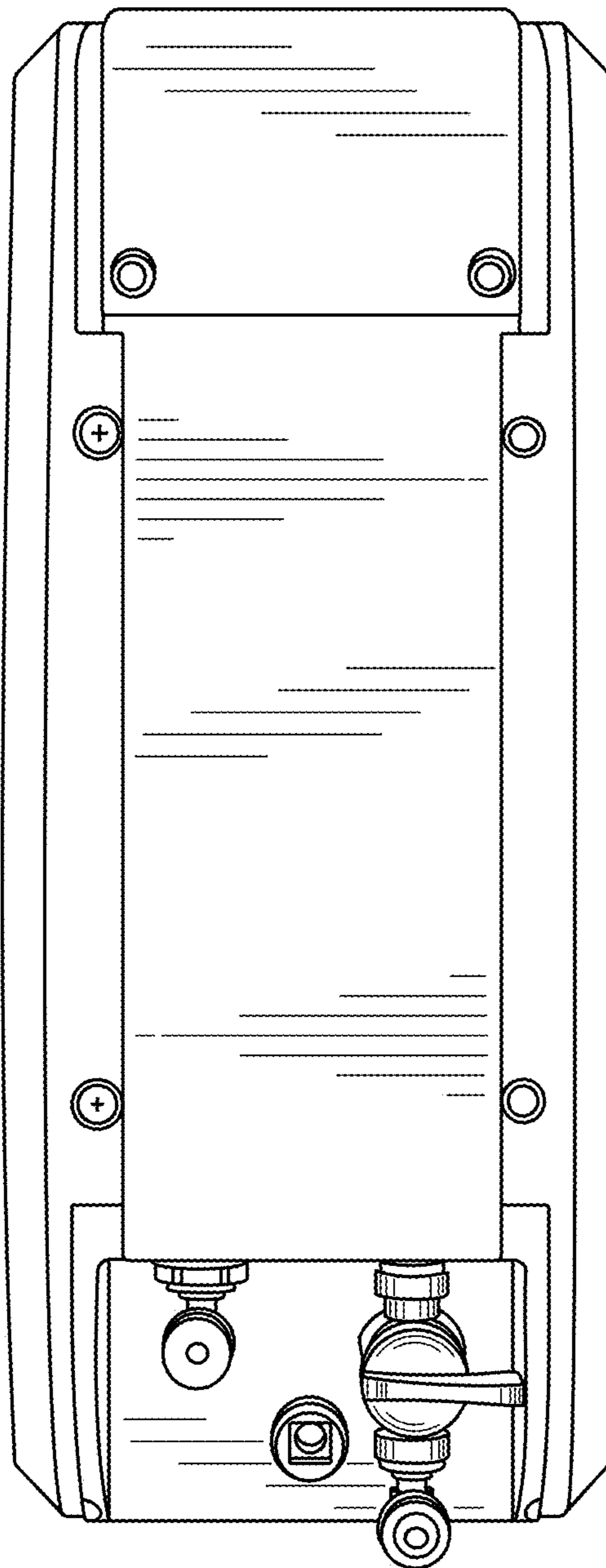


FIG. 3

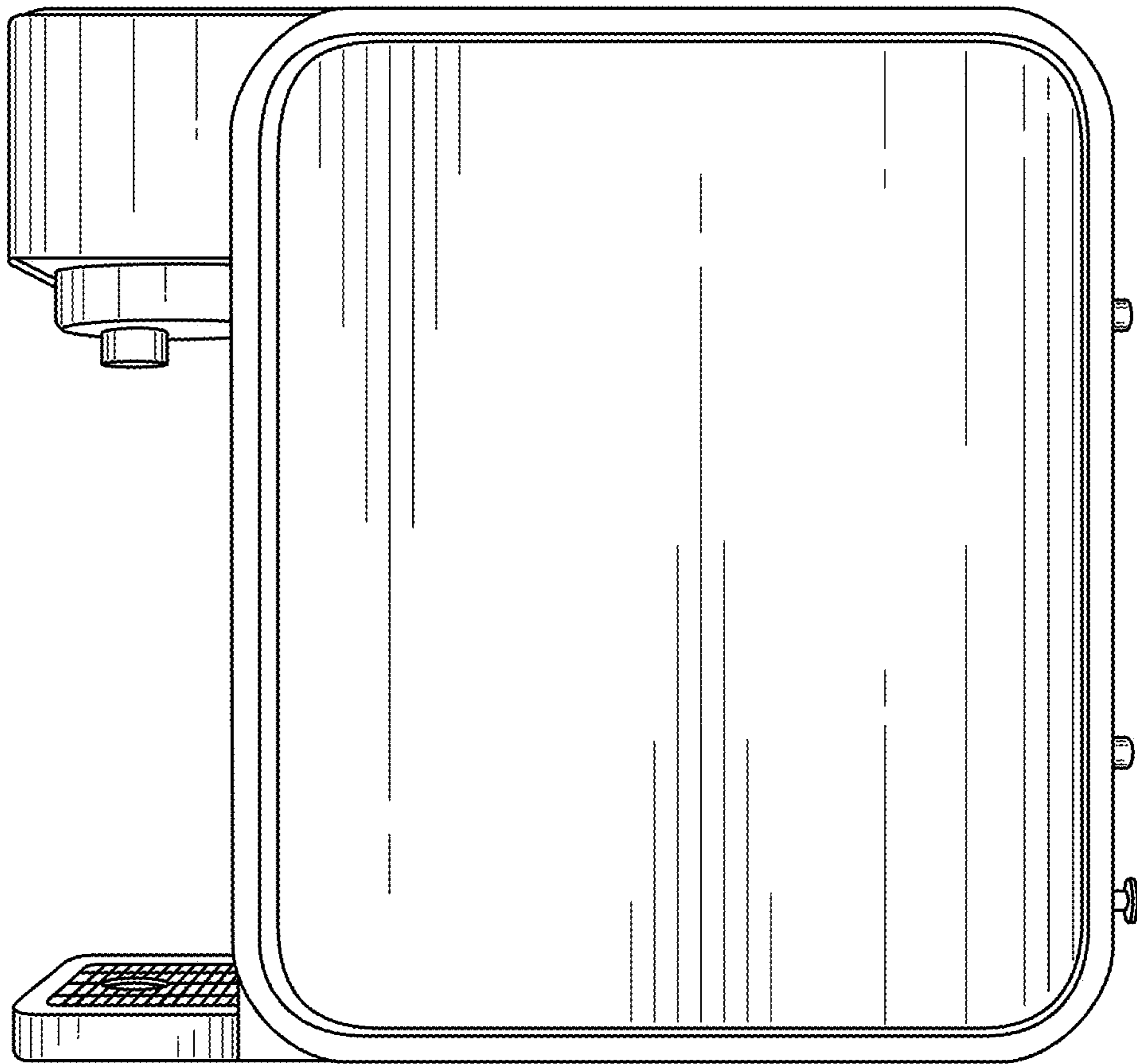


FIG. 4

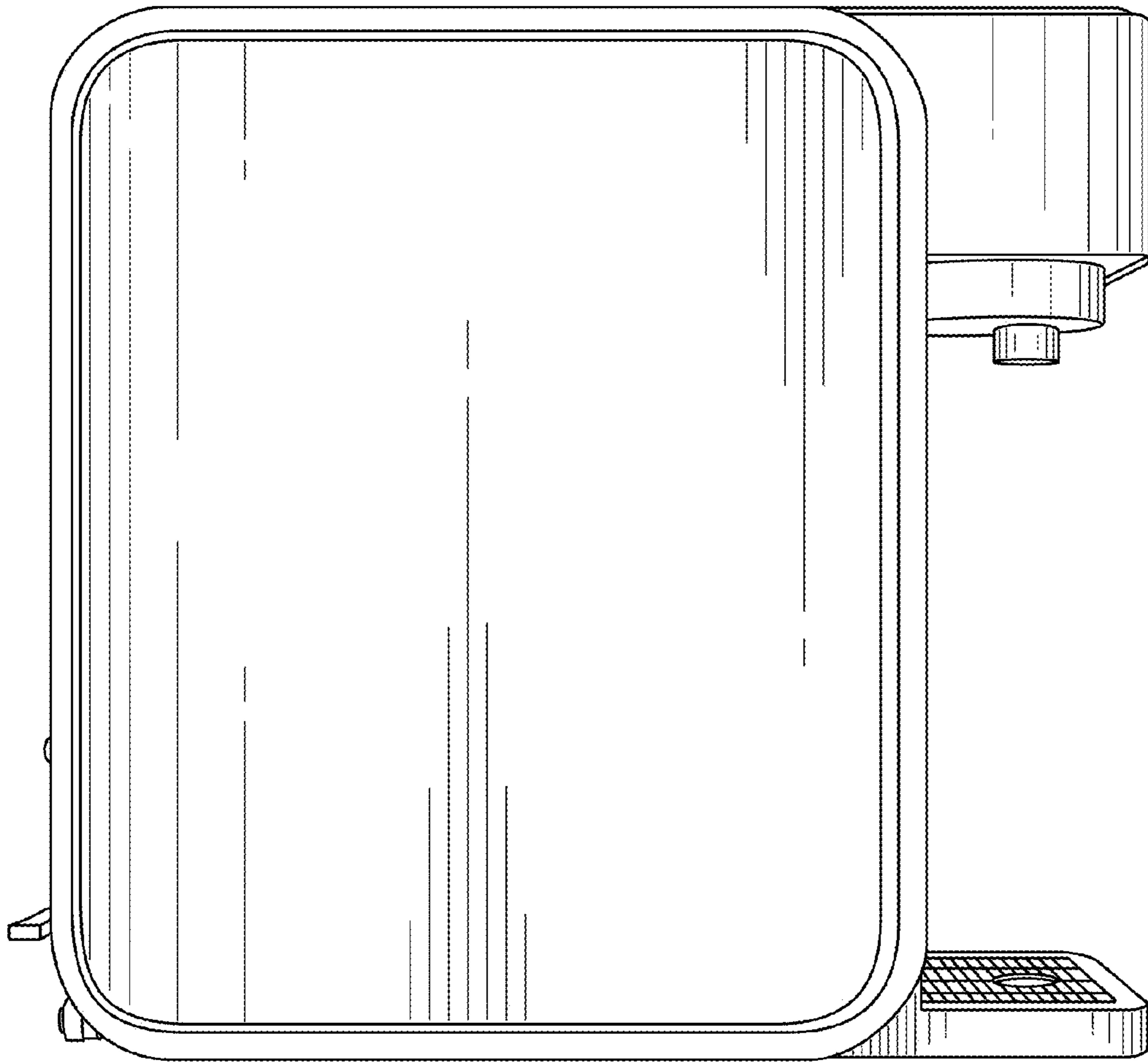


FIG. 5

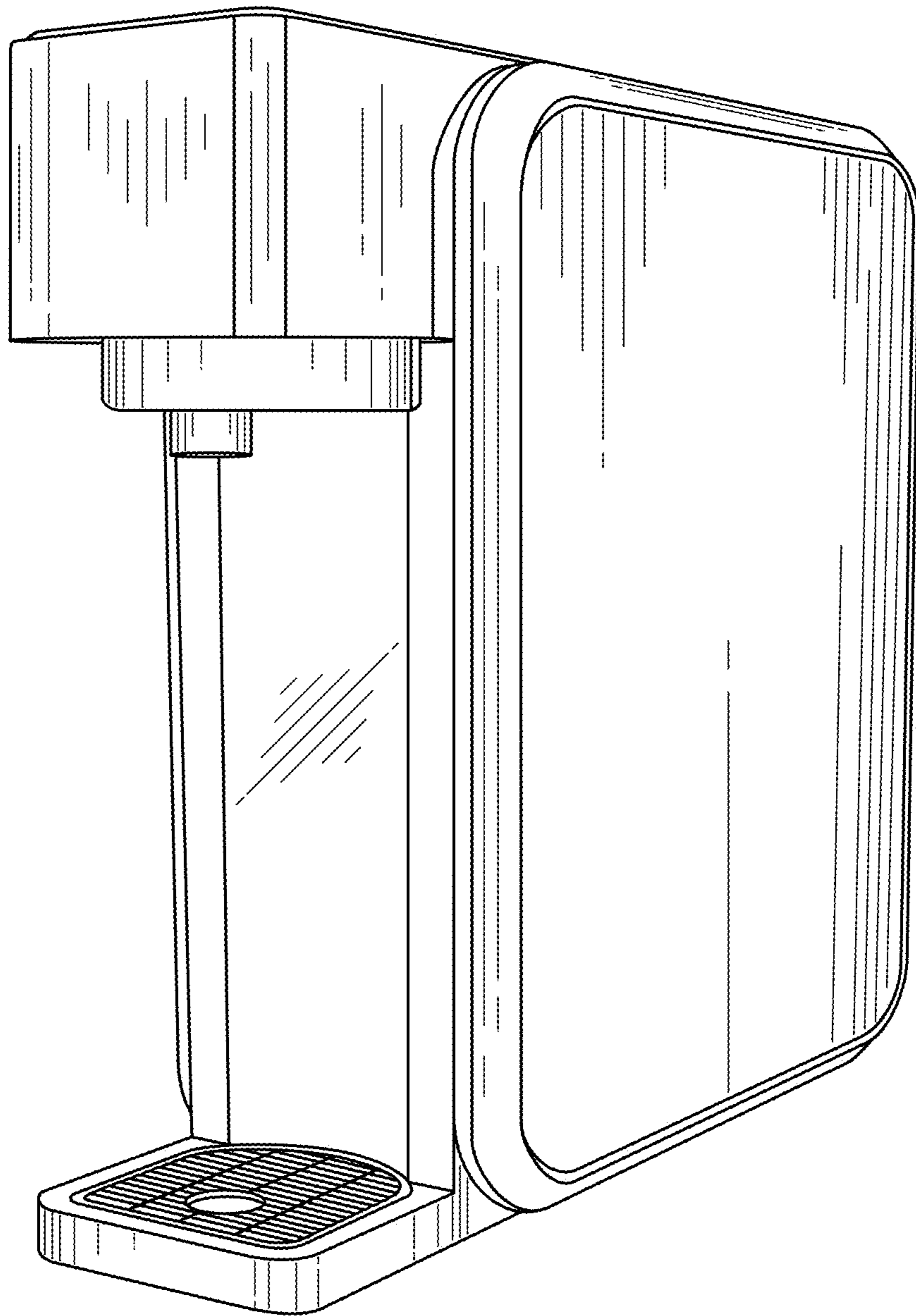


FIG. 6

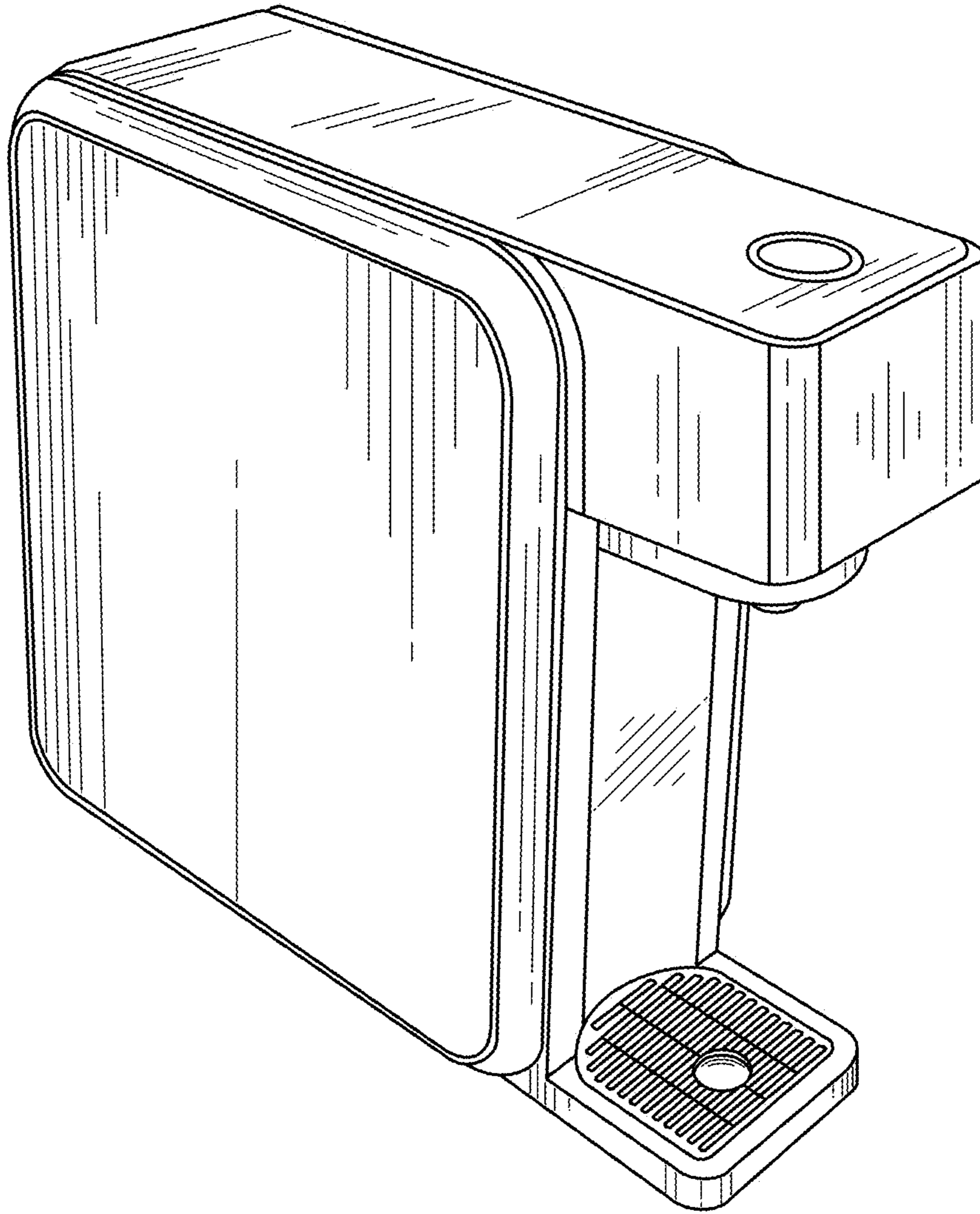


FIG. 7



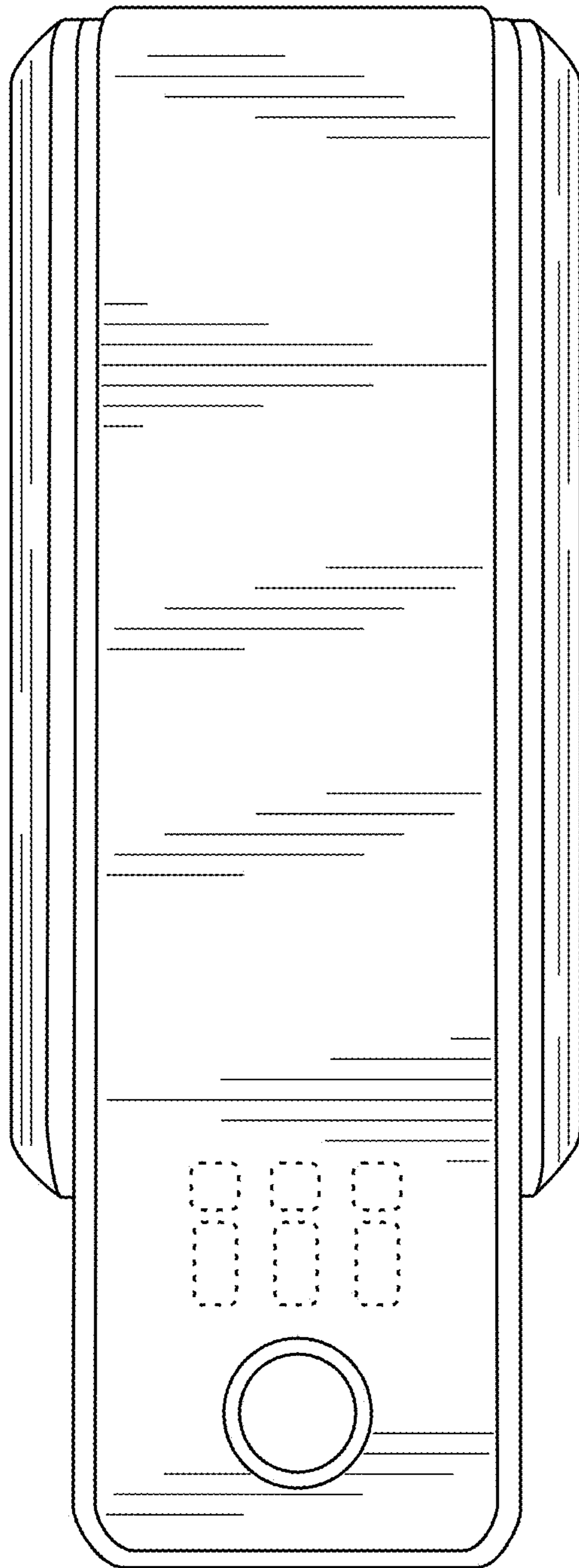


FIG. 8

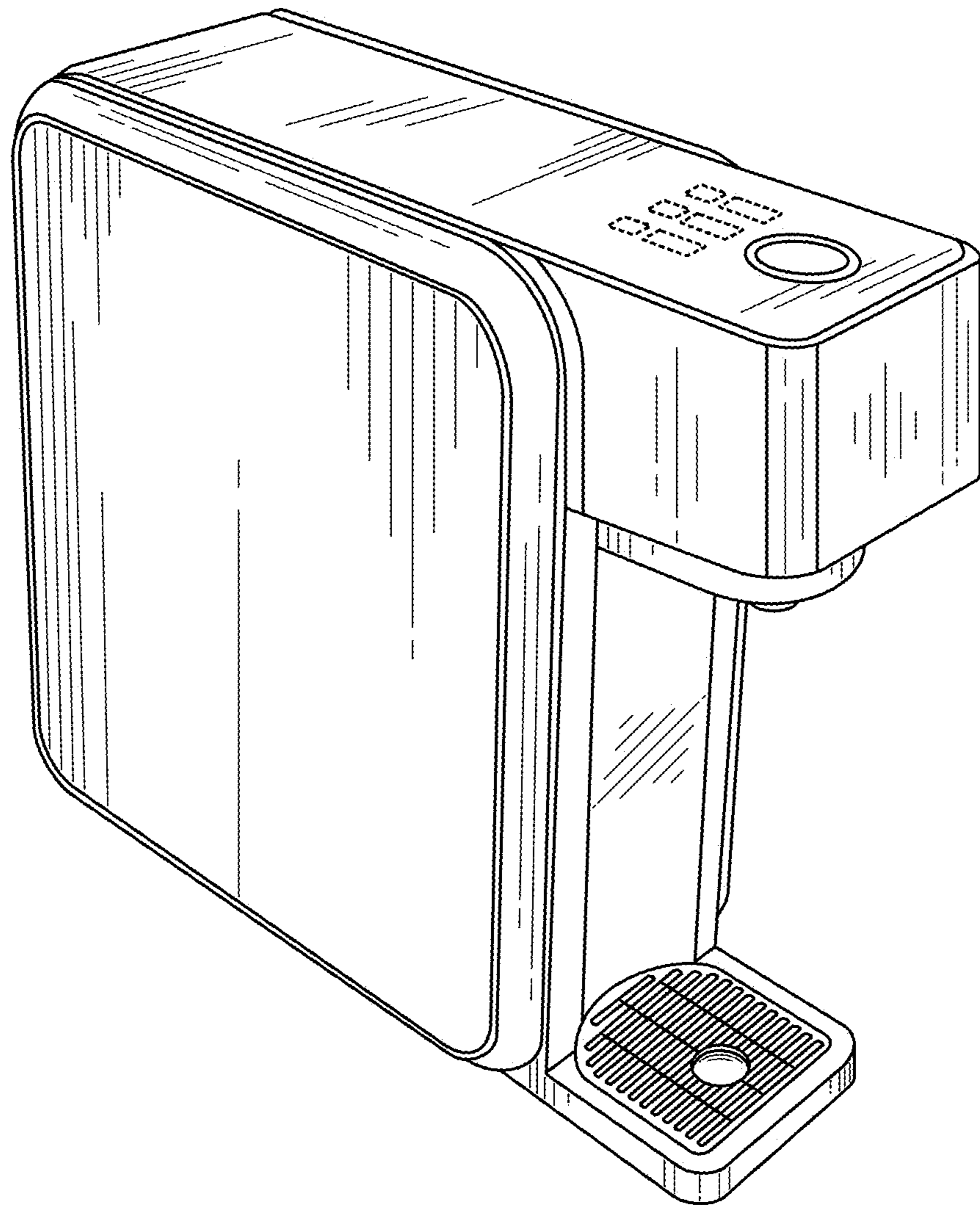


FIG. 9