



US00D718413S

(12) **United States Design Patent**
Choi

(10) **Patent No.:** **US D718,413 S**

(45) **Date of Patent:** **** Nov. 25, 2014**

(54) **WATER PURIFIER**

(71) Applicant: **Coway Co., Ltd.**, Chungcheongnam-do (KR)

(72) Inventor: **Hun Jung Choi**, Seoul (KR)

(73) Assignee: **Coway Co., Ltd.**, Chungcheongnam-do (KR)

(**) Term: **14 Years**

(21) Appl. No.: **29/455,399**

(22) Filed: **May 20, 2013**

(30) **Foreign Application Priority Data**

Nov. 20, 2012 (KR) 30-2012-0055448

(51) **LOC (10) Cl.** **23-01**

(52) **U.S. Cl.**
USPC **D23/207; D7/311**

(58) **Field of Classification Search**
USPC D23/207, 209; 210/241, 435;
D7/311-312
See application file for complete search history.

(56) **References Cited**

U.S. PATENT DOCUMENTS

D412,550 S * 8/1999 Bell D23/207
D473,281 S * 4/2003 Jansson et al. D23/207
D486,880 S * 2/2004 Gracias et al. D23/207
D506,525 S * 6/2005 Wang D23/207

D552,709 S 10/2007 Lin
D667,674 S * 9/2012 Wilder et al. D7/306
D669,154 S * 10/2012 Choi D23/207
D674,874 S * 1/2013 Mueller et al. D23/207
D683,421 S * 5/2013 Choi D23/207
D683,422 S * 5/2013 Choi D23/207
D703,477 S * 4/2014 Celli et al. D7/306
D703,991 S * 5/2014 Porat et al. D7/306

FOREIGN PATENT DOCUMENTS

EM 001840356-0001 3/2011

* cited by examiner

Primary Examiner — Robin V Webster

(74) *Attorney, Agent, or Firm* — McDermott Will & Emery LLP

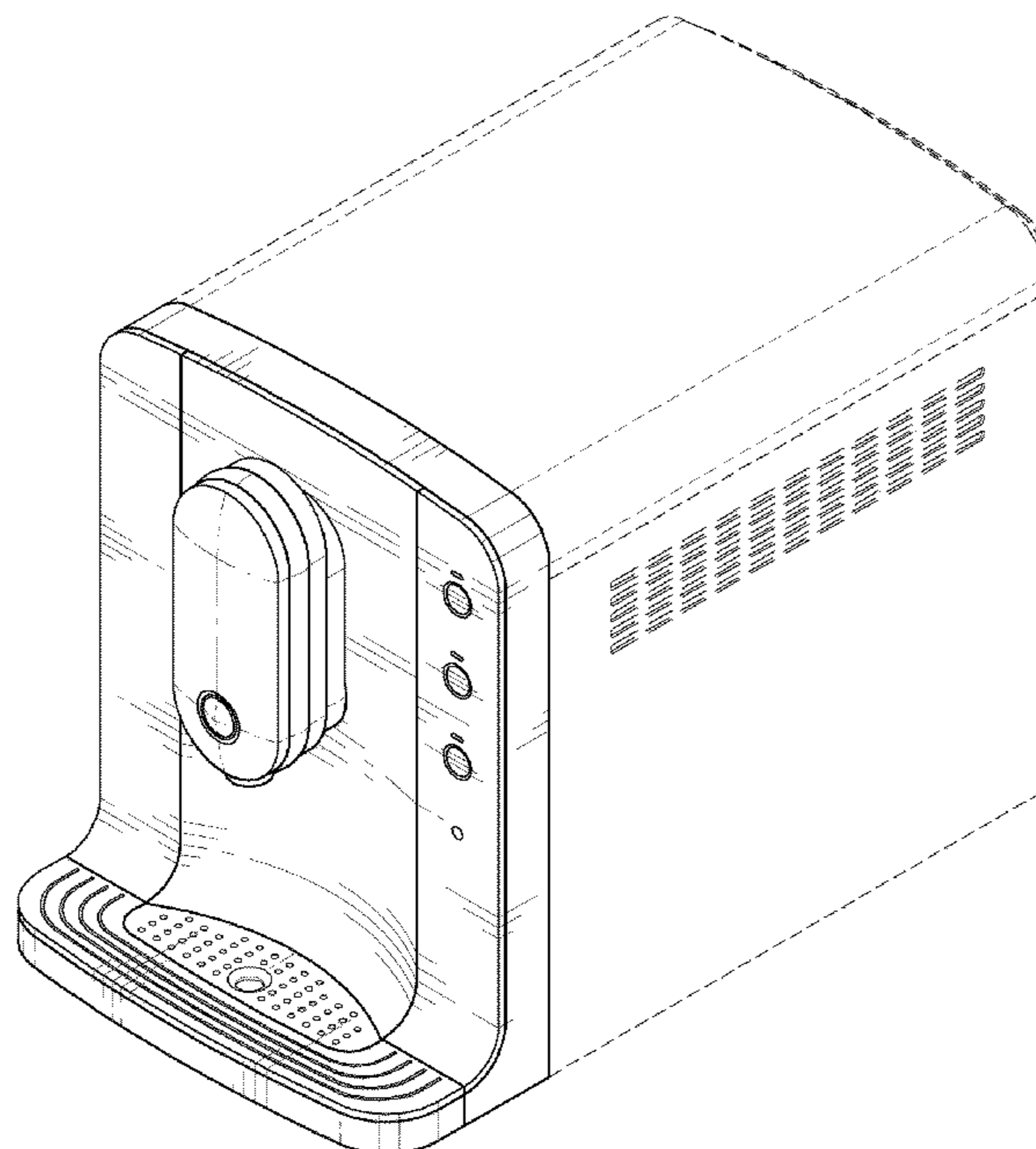
(57) **CLAIM**

The ornamental design for a water purifier, as shown and described.

DESCRIPTION

FIG. 1 is a perspective view of a water purifier showing my new design;
FIG. 2 is a front view thereof;
FIG. 3 is a rear view thereof;
FIG. 4 is a left side view thereof, a right side view thereof being a mirror image;
FIG. 5 is a top plan view thereof; and,
FIG. 6 is a bottom view thereof.
The broken line showing is included for the purpose of illustrating and forms no part of the claimed design.

1 Claim, 5 Drawing Sheets



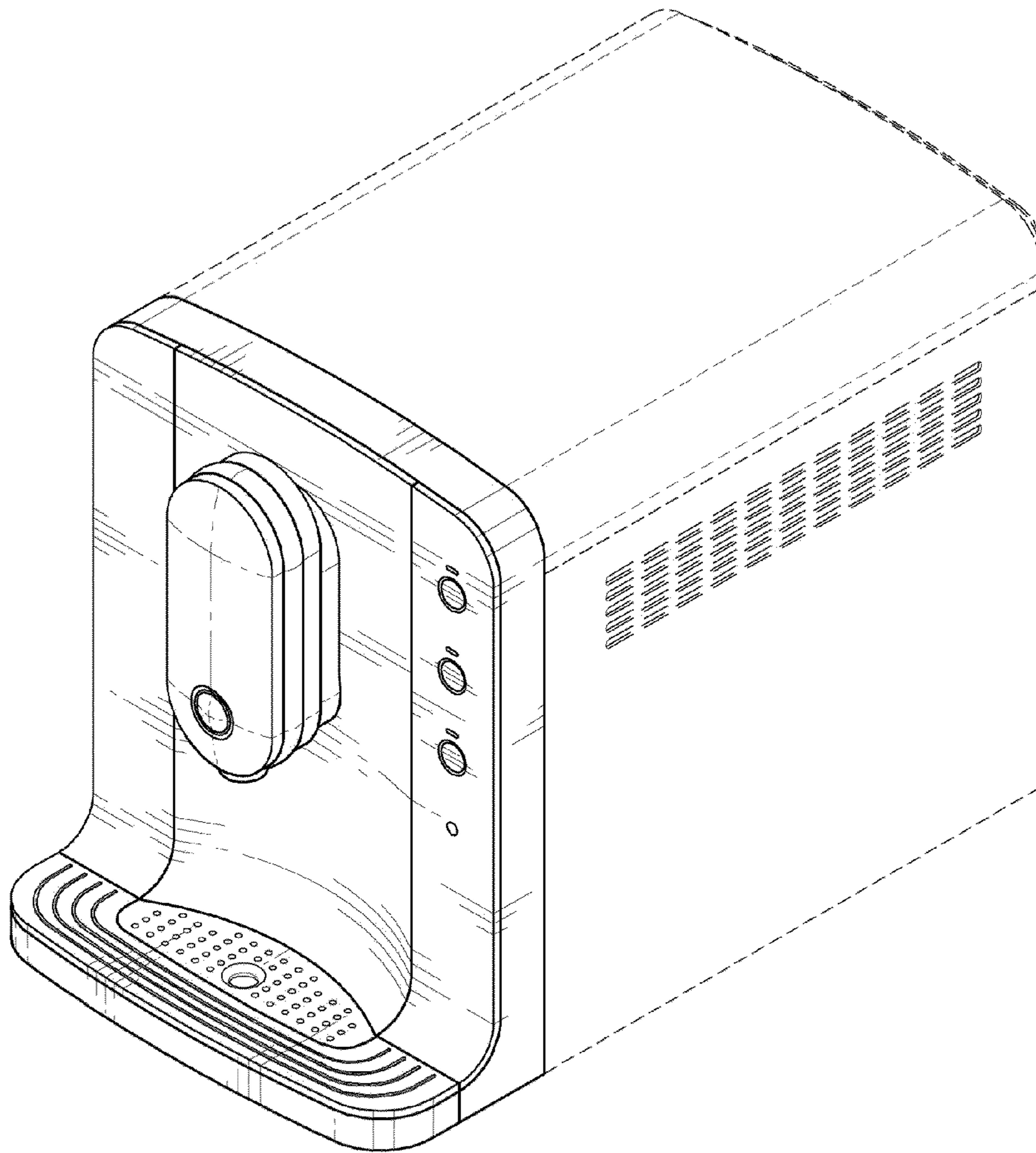


FIG. 1

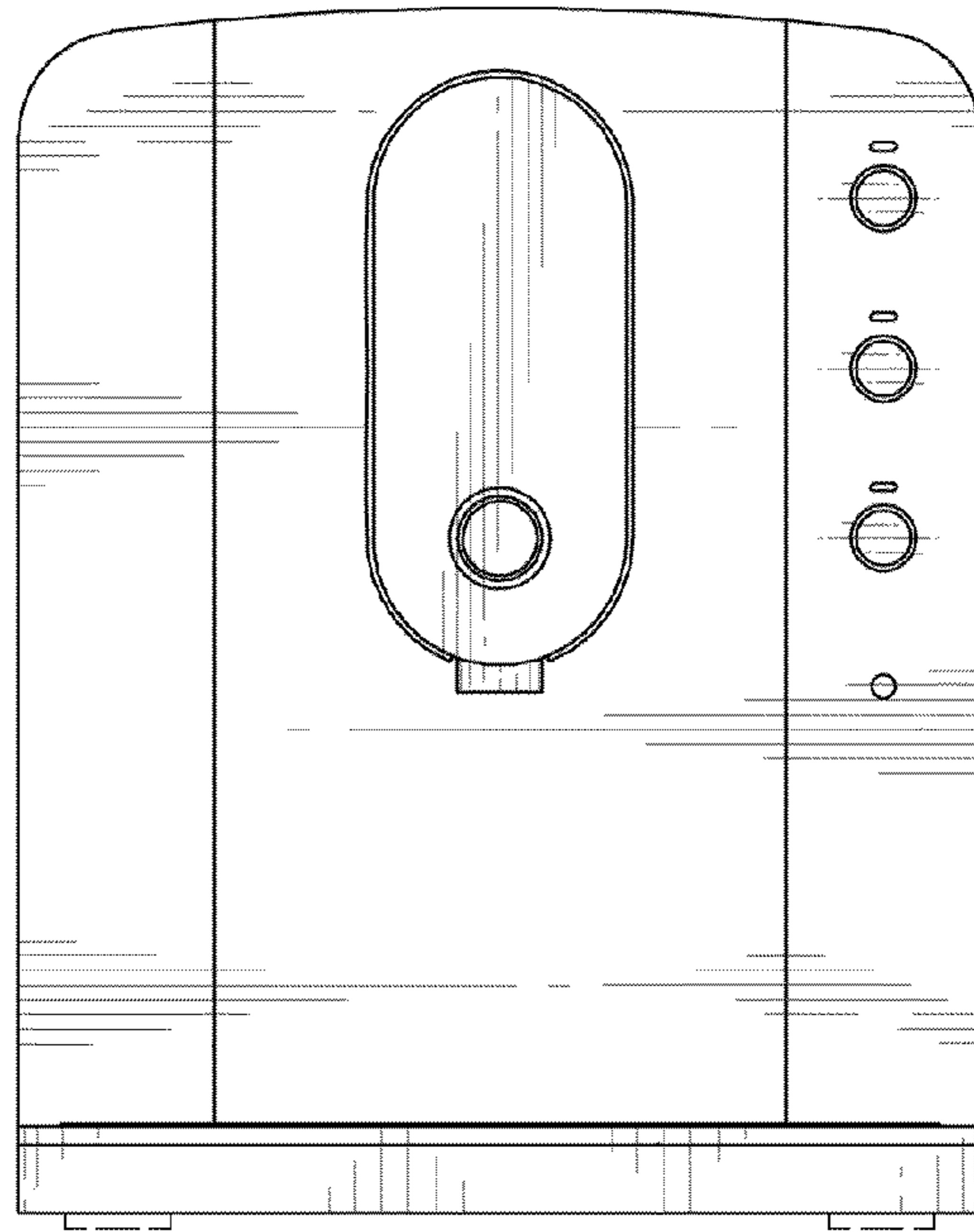


FIG. 2

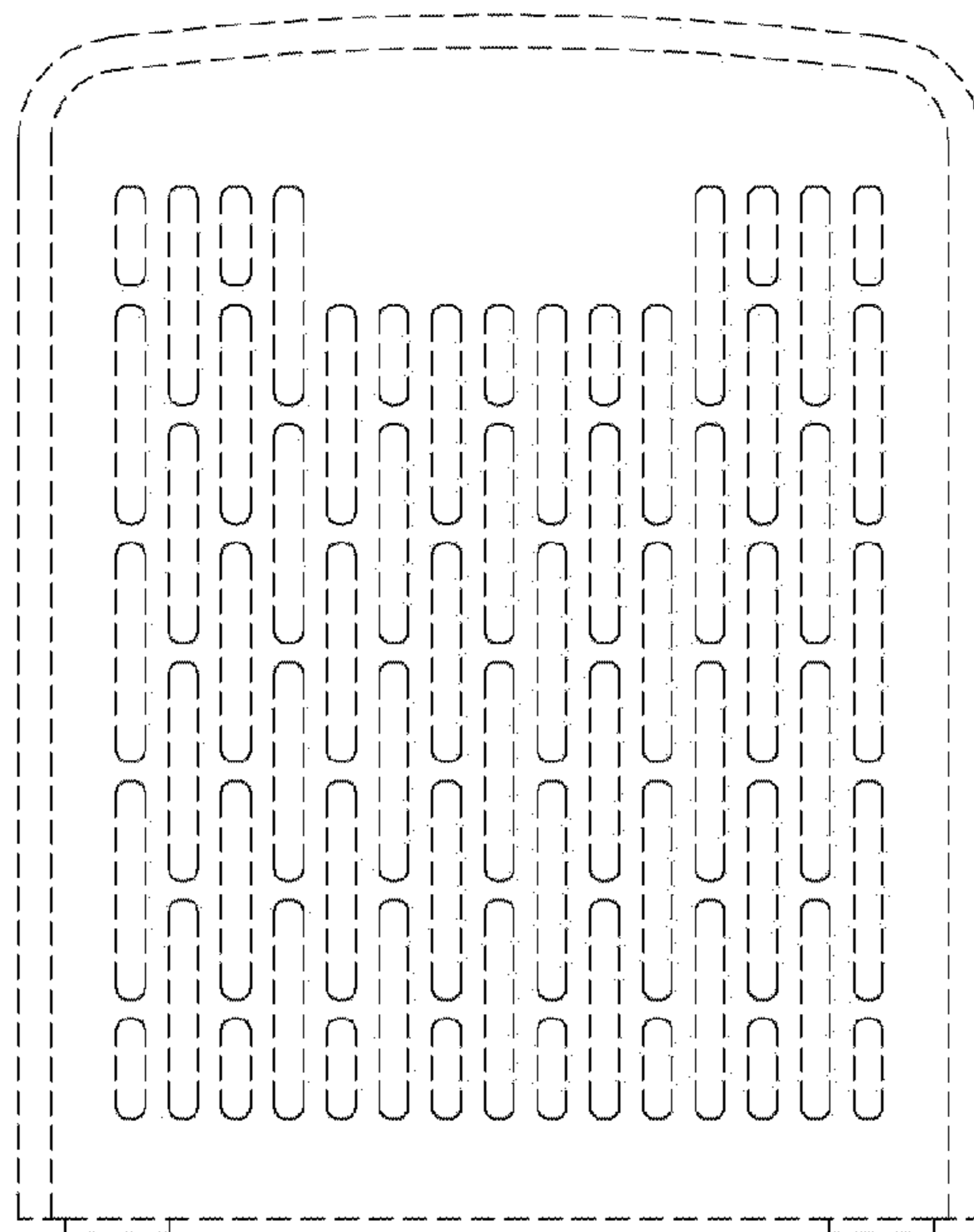


FIG. 3

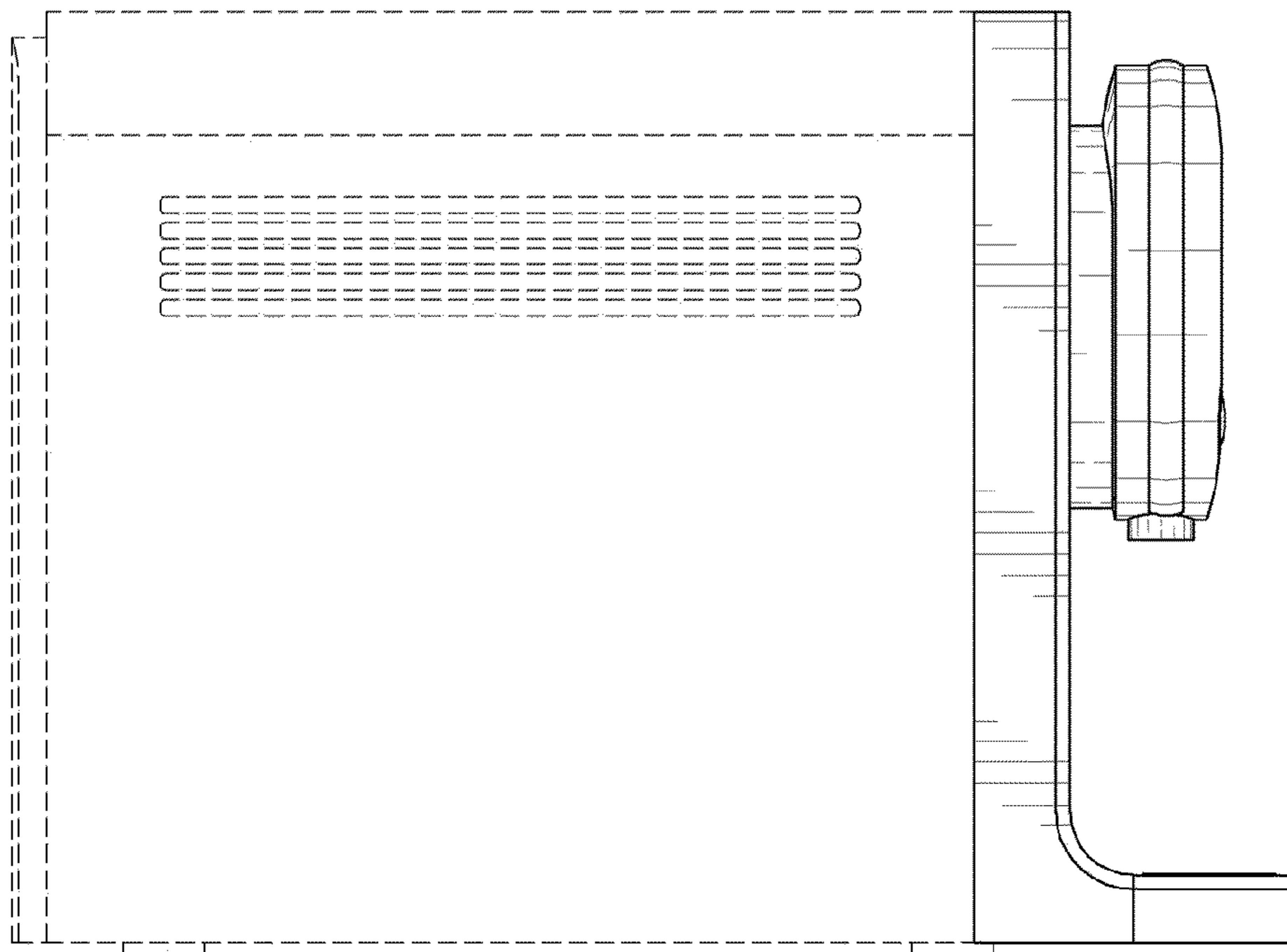


FIG. 4

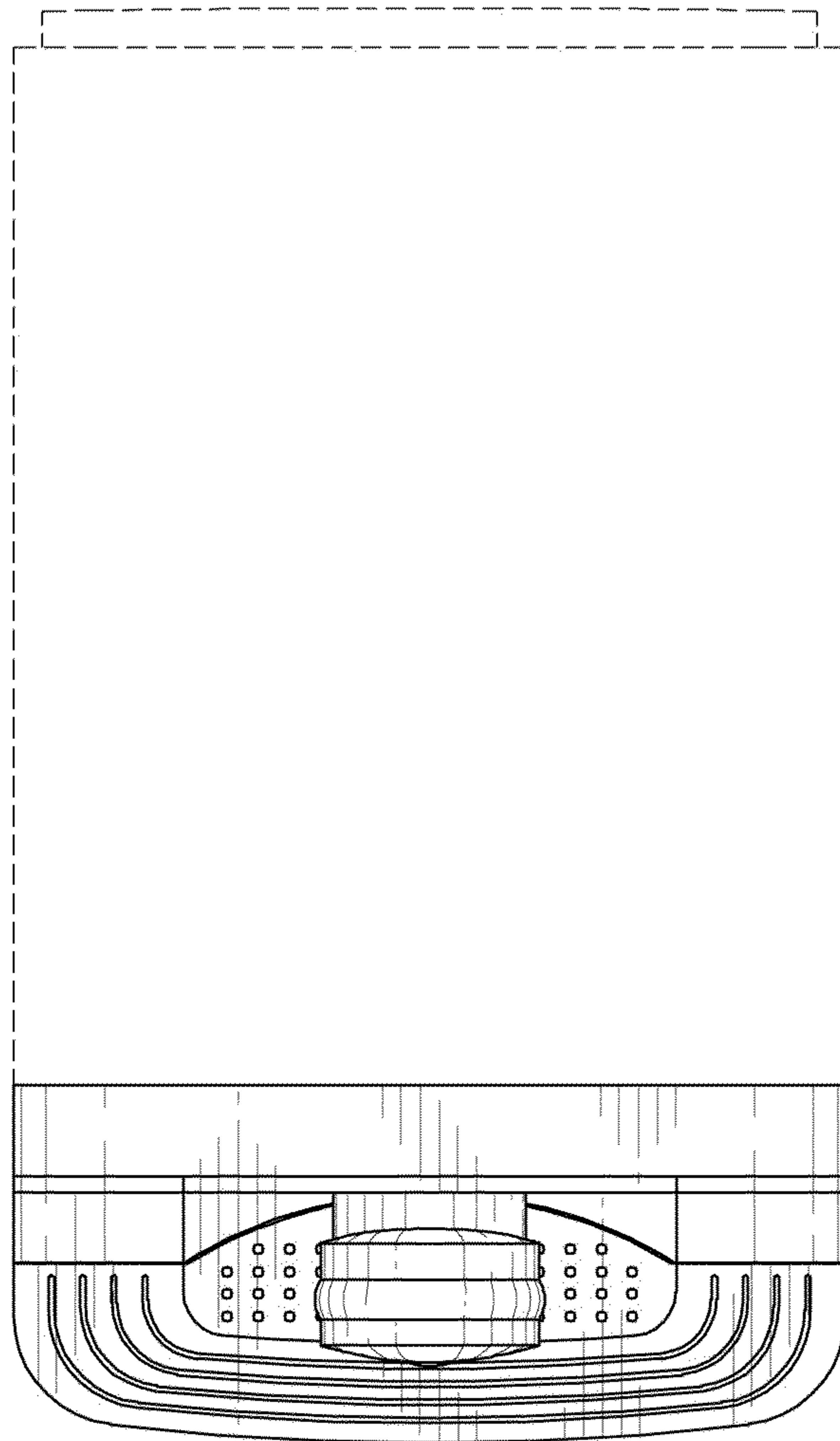


FIG. 5

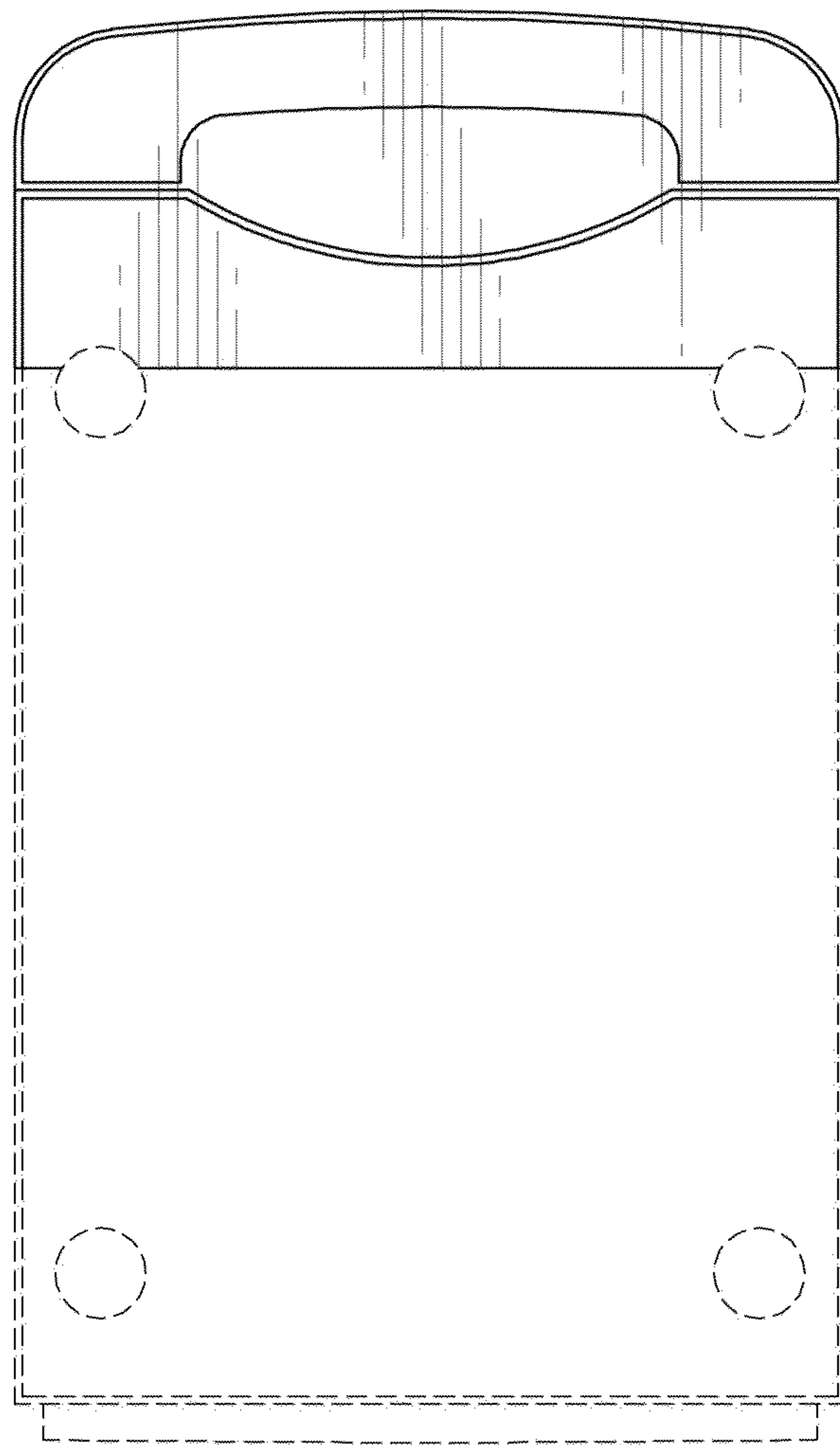


FIG. 6