



US00D718411S

(12) **United States Design Patent**
Tran

(10) **Patent No.:** **US D718,411 S**

(45) **Date of Patent:** **** Nov. 25, 2014**

(54) **FOOT SPA BASE**

(76) Inventor: **Minh Sang Tran**, Cambridge (CA)

(**) Term: **14 Years**

(21) Appl. No.: **29/428,910**

(22) Filed: **Aug. 4, 2012**

(51) **LOC (10) Cl.** **24-02**

(52) **U.S. Cl.**
USPC **D23/204**

(58) **Field of Classification Search**
USPC D24/201, 204, 205; D23/277, 278, 276,
D23/280.1–280.3; 601/154–158;
4/541.1–541.6, 547, 578.1, 579

See application file for complete search history.

(56) **References Cited**

U.S. PATENT DOCUMENTS

D565,739 S	4/2008	Tran	
D569,986 S *	5/2008	Ton	D24/204
D571,961 S *	6/2008	Nguyen	D28/56
D583,171 S	12/2008	Tran	
D583,576 S	12/2008	Tran	
D588,707 S *	3/2009	Mai et al.	D24/213
D588,844 S	3/2009	Tran	
D589,285 S	3/2009	Tran	
D590,188 S	4/2009	Tran	
D592,312 S *	5/2009	Cheng	D24/204
D596,882 S	7/2009	Tran	
D596,883 S	7/2009	Tran	
D612,509 S *	3/2010	Tran	D24/204
D615,326 S	5/2010	Tran	
D616,560 S *	5/2010	Cong	D24/204
D616,561 S *	5/2010	Ton	D24/204
D618,815 S *	6/2010	Dang	D24/204
D622,858 S *	8/2010	Jan	D24/204
D640,387 S *	6/2011	Tran	D24/204

D641,485 S *	7/2011	Mai	D24/204
D646,082 S	10/2011	Tran	
D650,084 S	12/2011	Tran	
D664,664 S *	7/2012	Mai	D24/204
D670,354 S	11/2012	Tran	
D685,103 S *	6/2013	Ton	D24/204

* cited by examiner

Primary Examiner — David Muller

(74) *Attorney, Agent, or Firm* — Blue Filament Law PLLC;
Avery N. Goldstein

(57) **CLAIM**

The ornamental design for a foot spa base, as shown and described.

DESCRIPTION

FIG. 1 is a front, left, top perspective view of the inventive foot spa base;

FIG. 2 is a rear, right, top perspective view of the foot spa base depicted in FIG. 1;

FIG. 3 is a right side view of the foot spa base depicted in FIG. 1;

FIG. 4 is a left side view of the foot spa base depicted in FIG. 1;

FIG. 5 is a top view of the foot spa base depicted in FIG. 1;

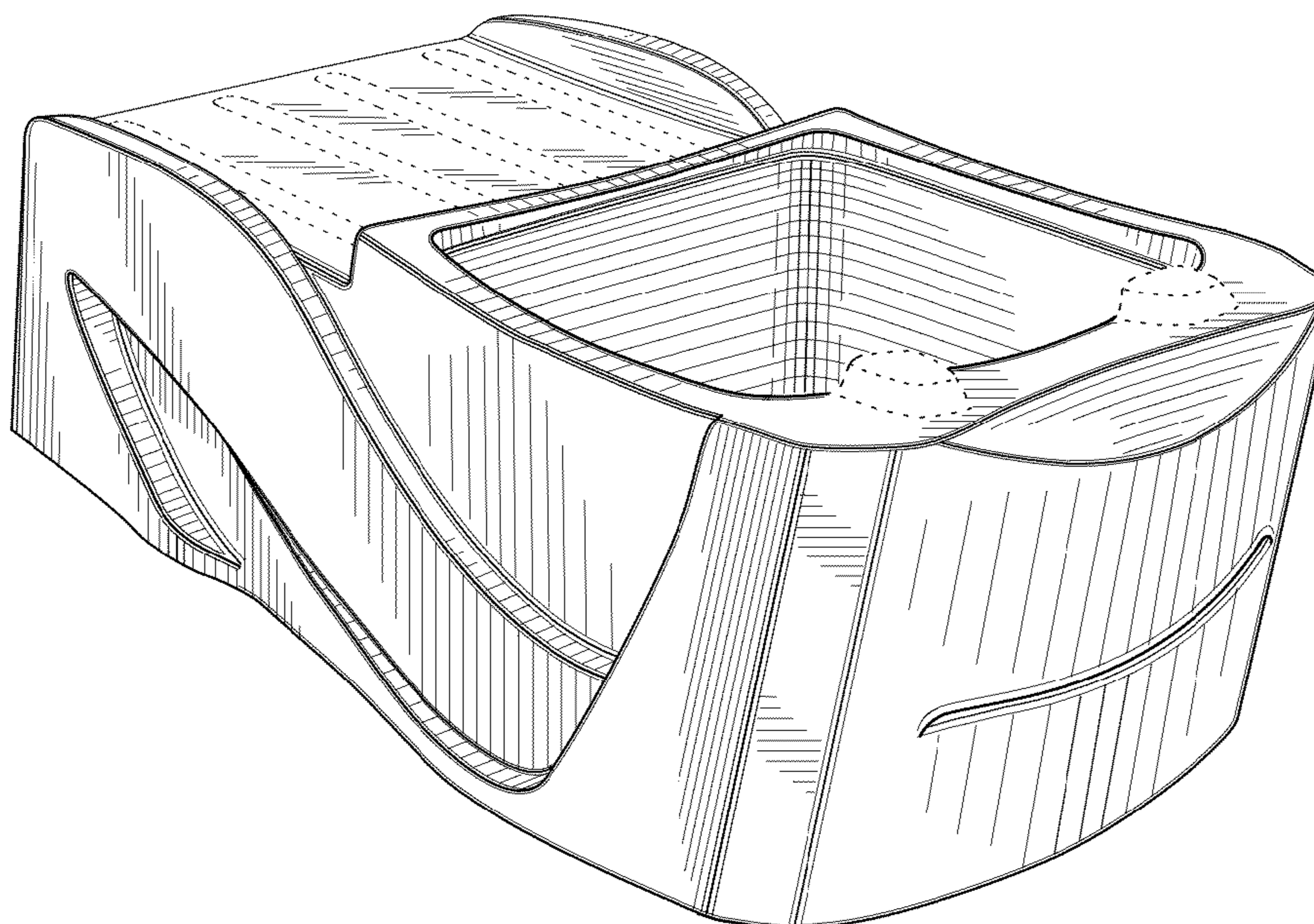
FIG. 6 is a rear view of the foot spa base depicted in FIG. 1;

FIG. 7 is a front view of the foot spa base depicted in FIG. 1; and,

FIG. 8 is a front, left, top perspective view of the foot spa base depicted in FIG. 1 in an exemplary use environment.

The broken line showing of parts of the drawings is included for the purpose of illustrating use and environment and forms no part of the claimed design.

1 Claim, 5 Drawing Sheets



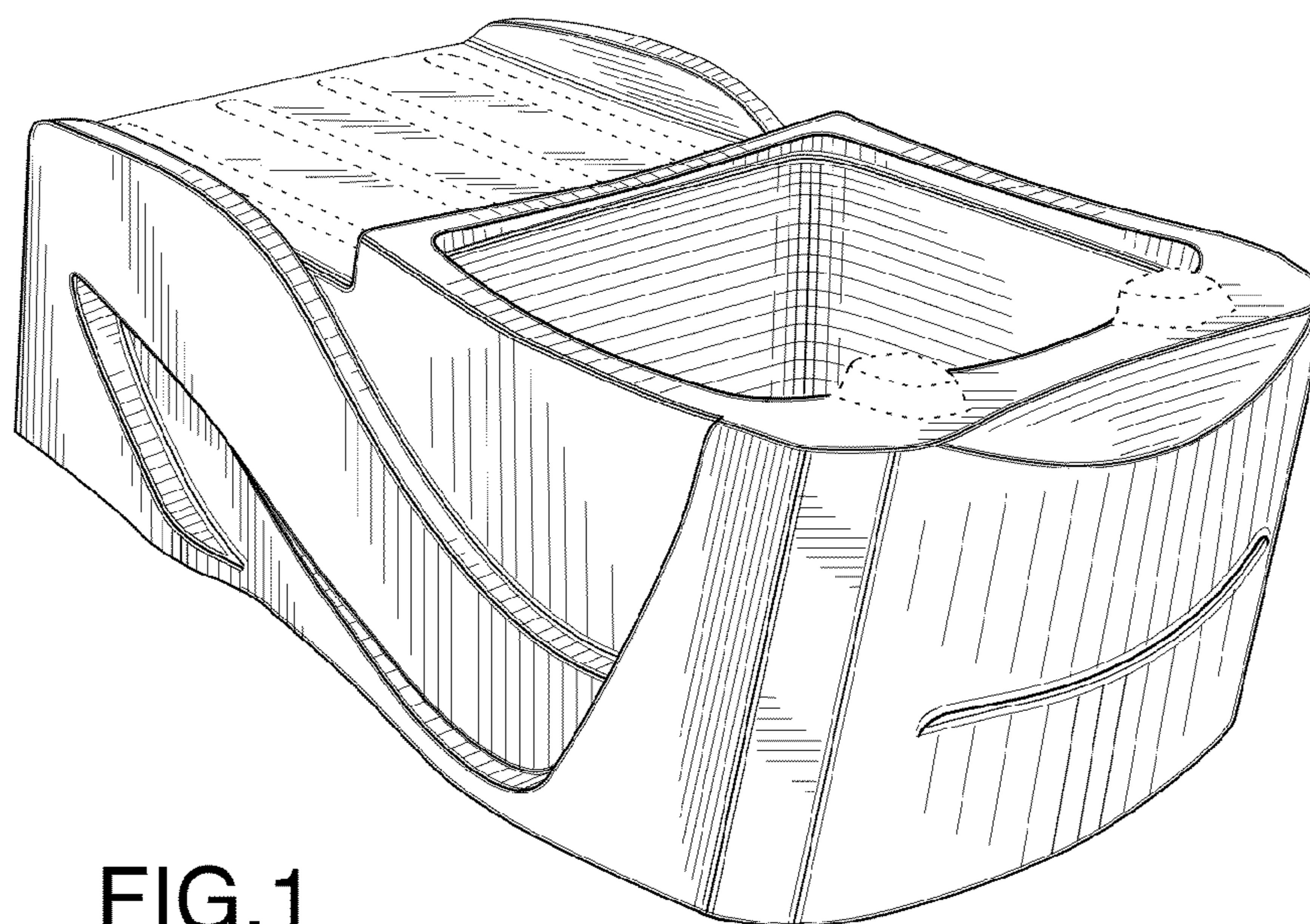


FIG. 1

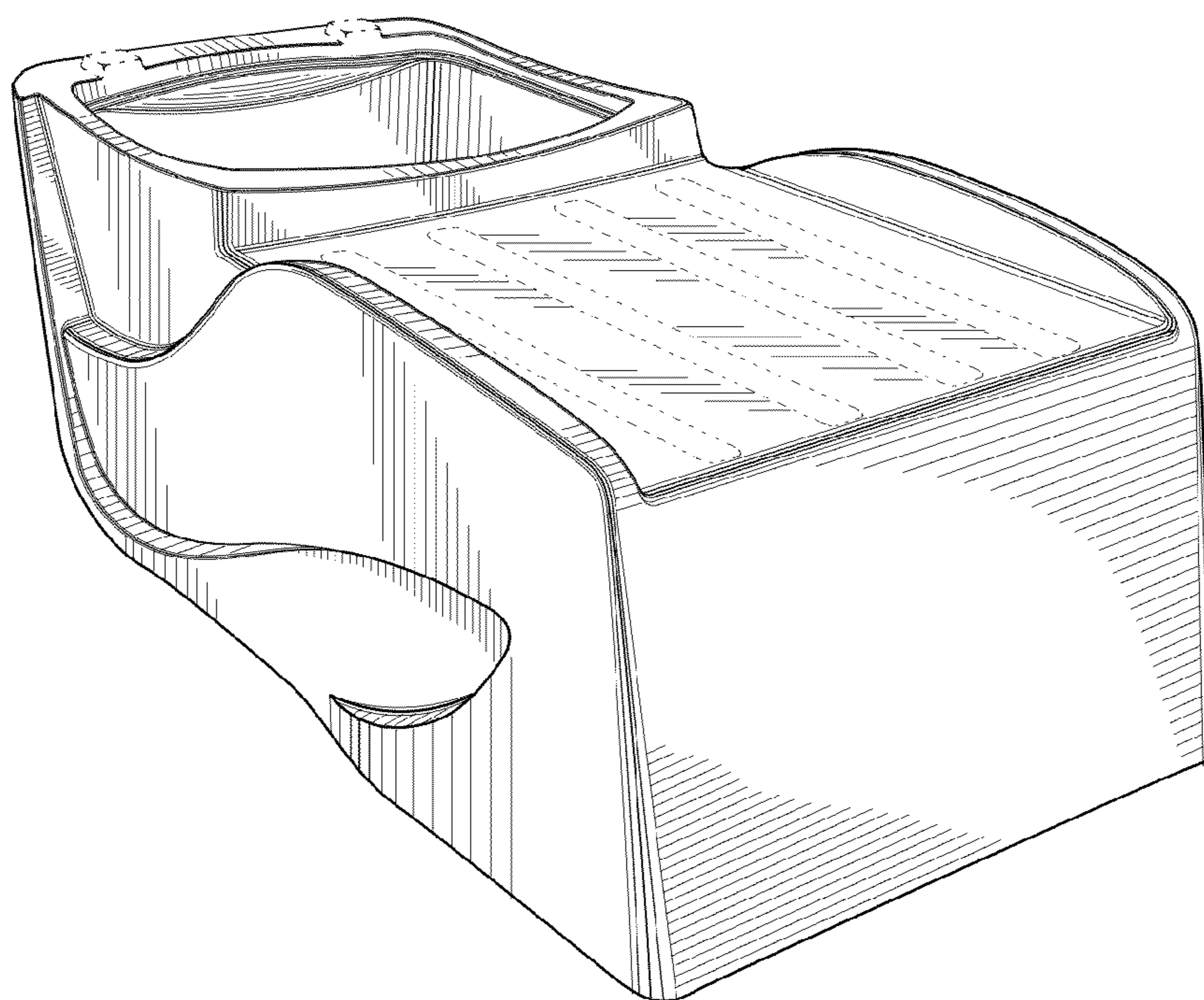


FIG. 2

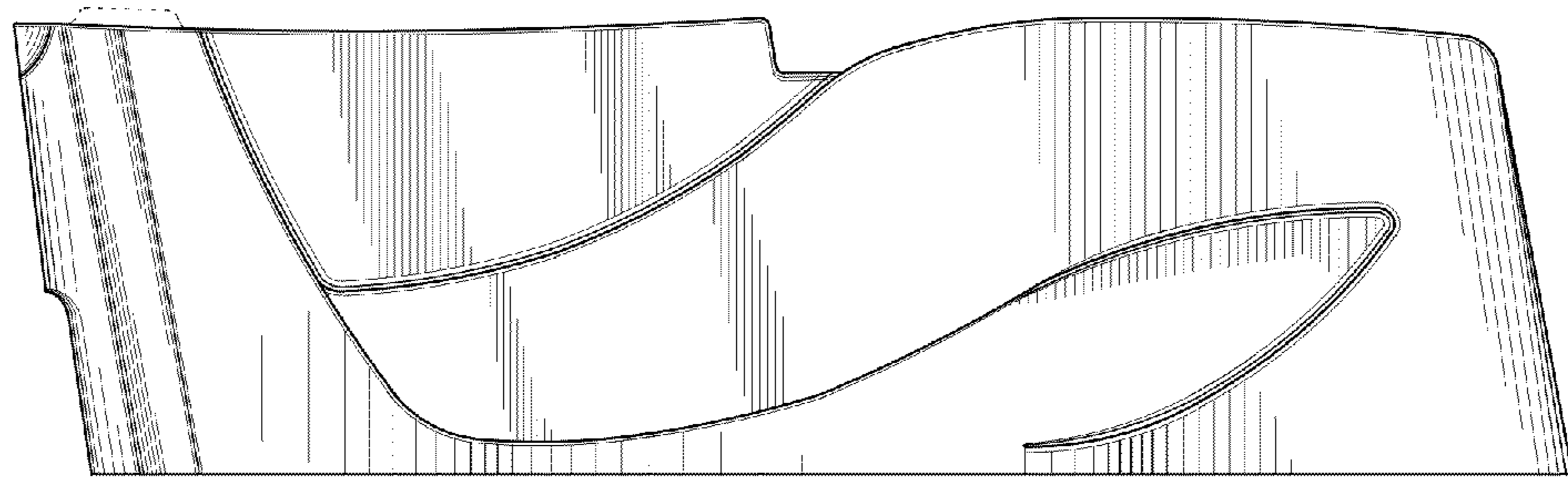


FIG.3

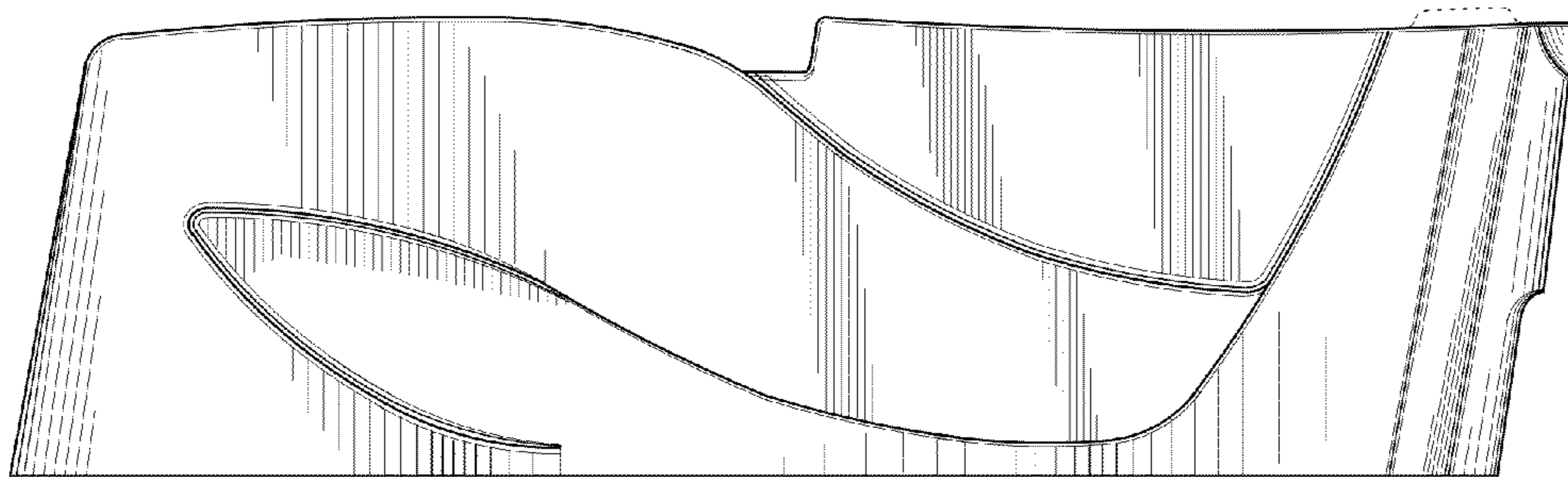


FIG.4

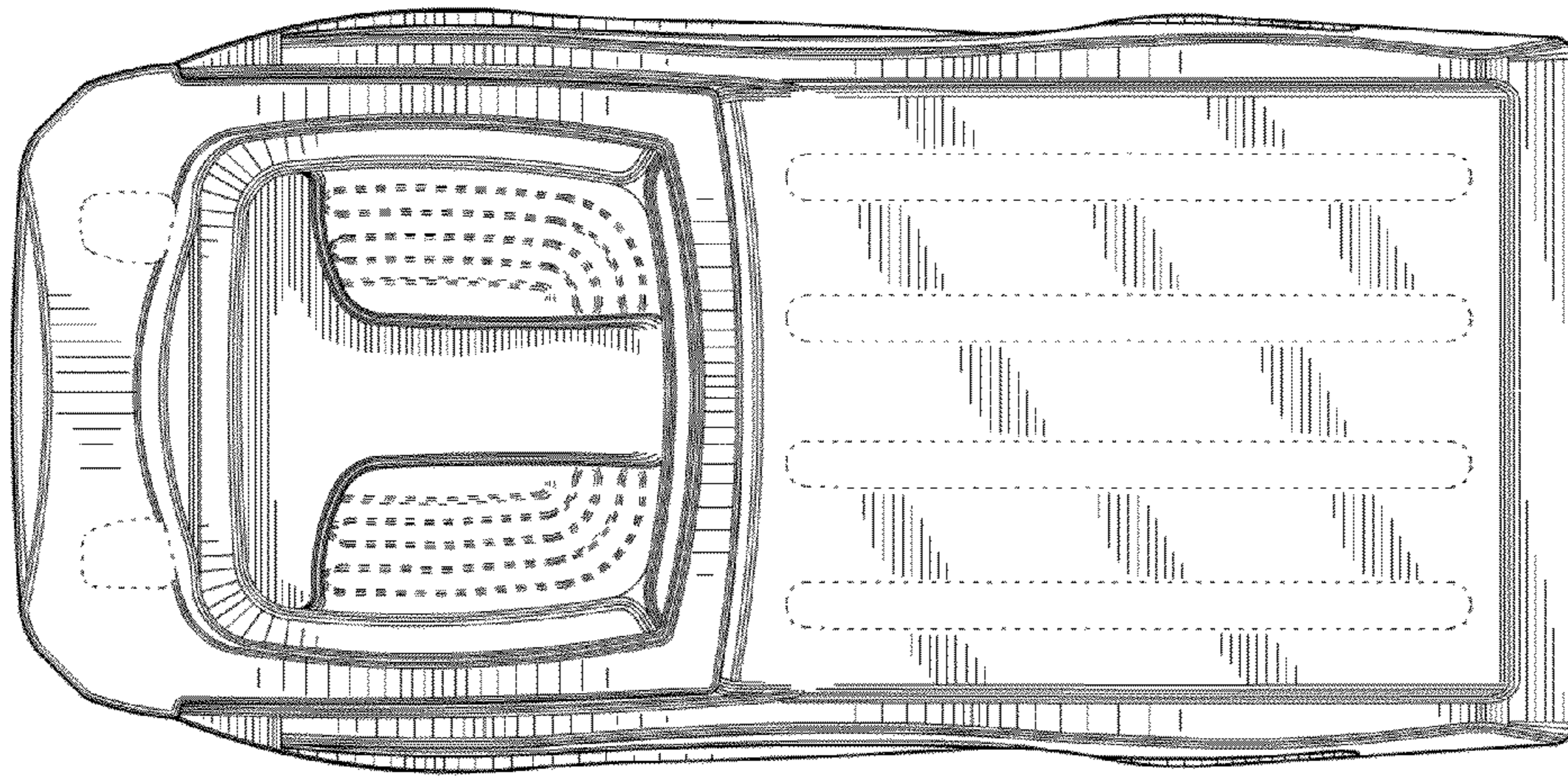


FIG.5

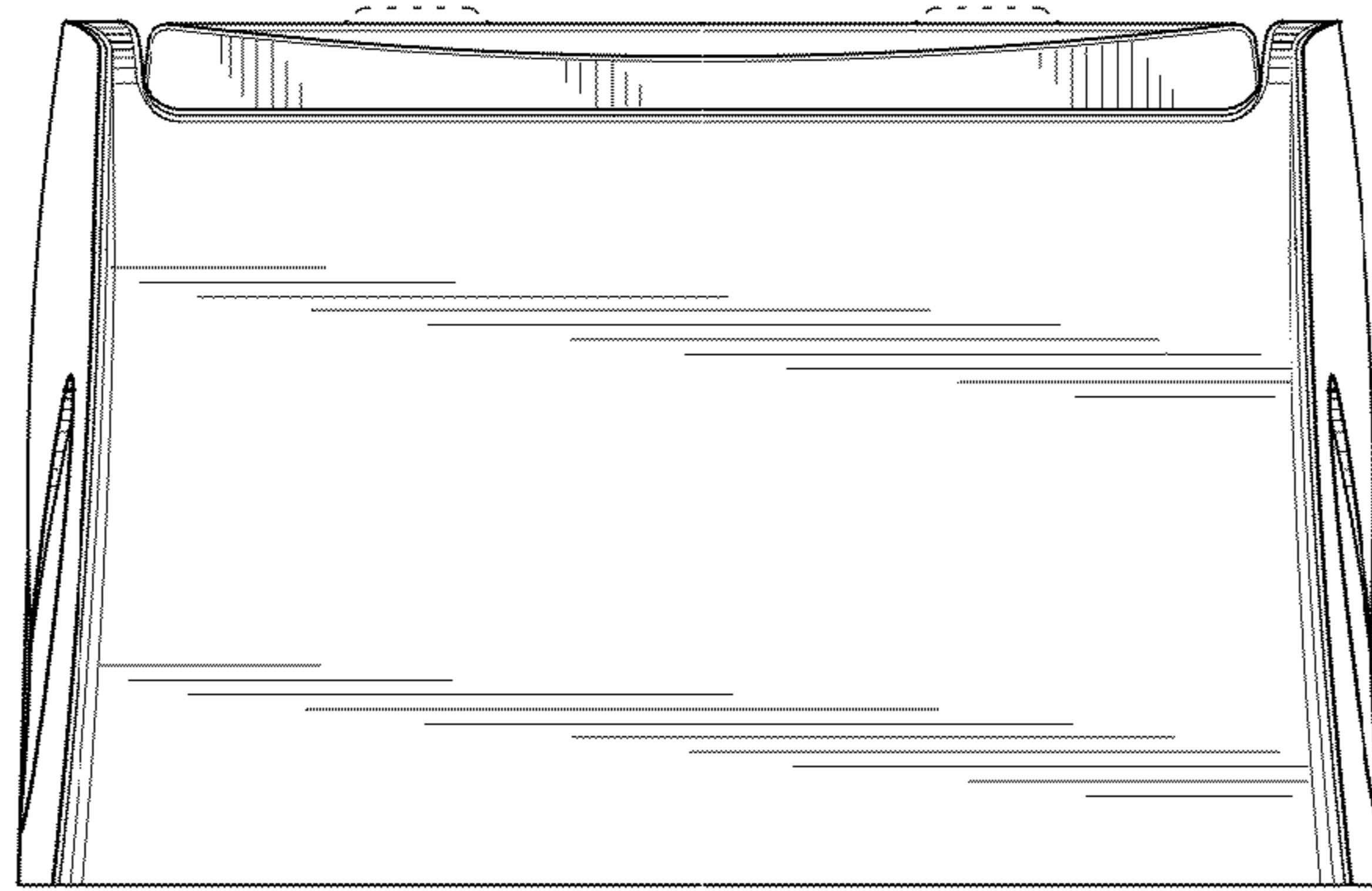


FIG. 6

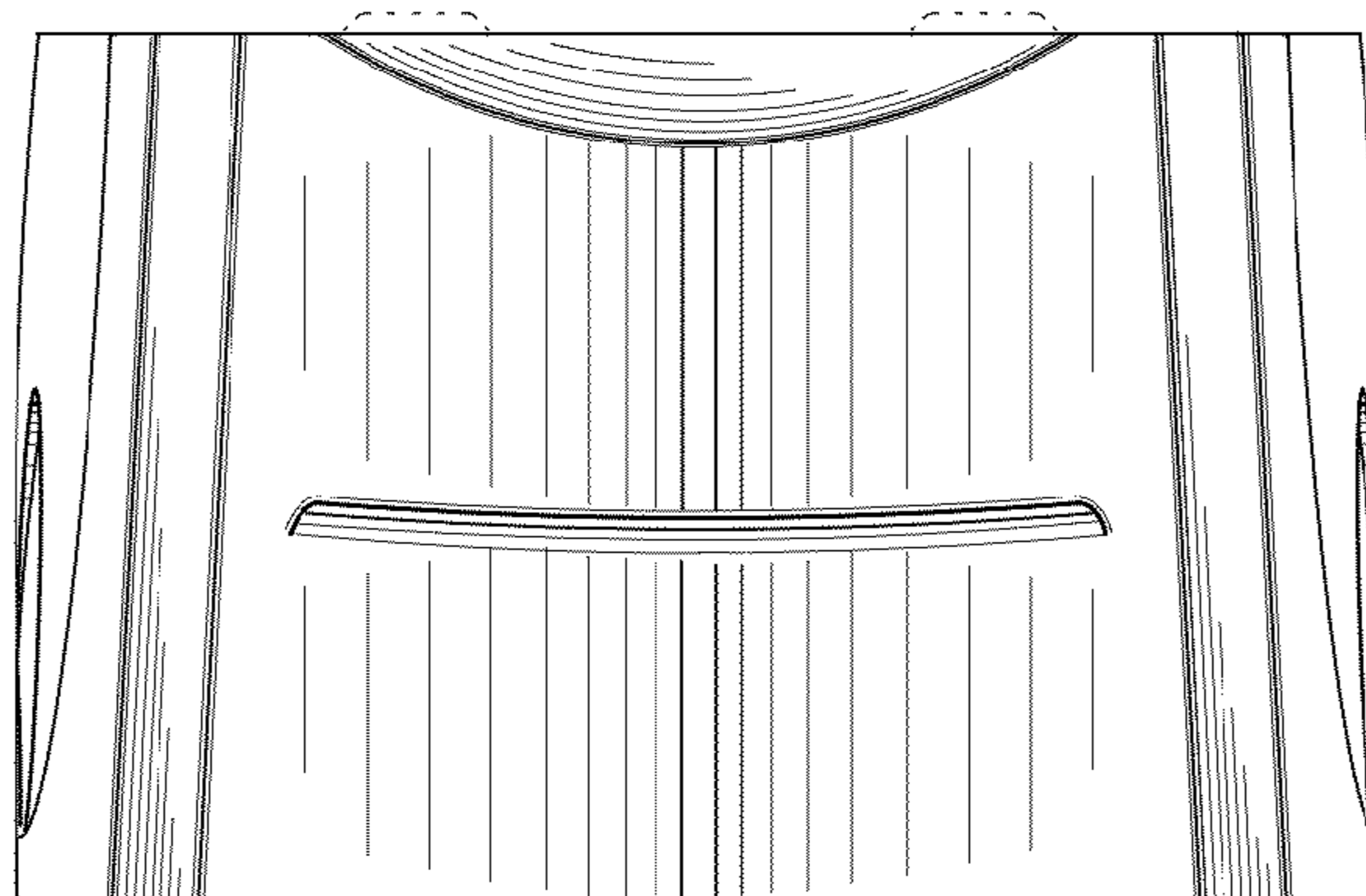


FIG. 7

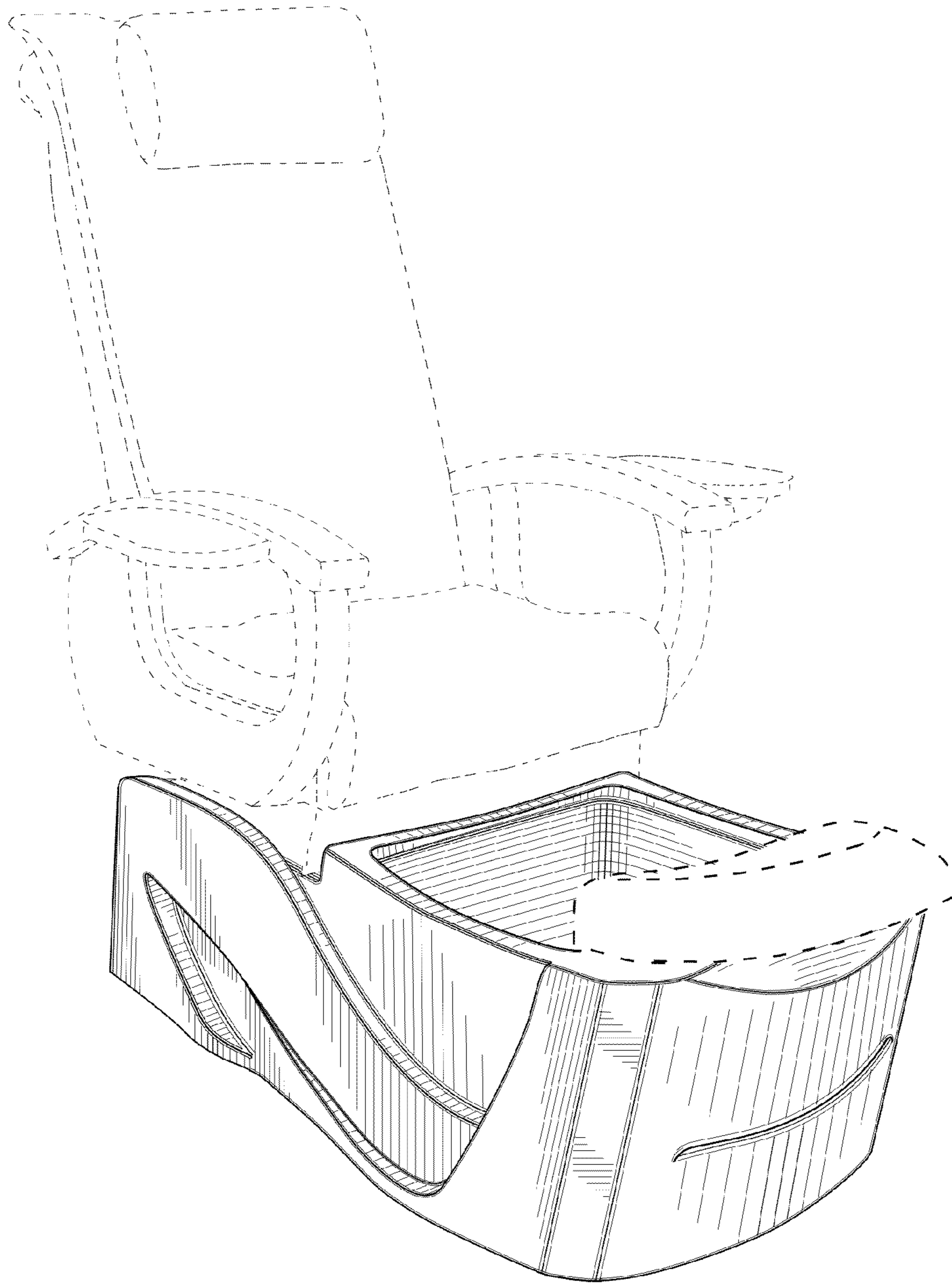


FIG.8