



US00D718410S

(12) **United States Design Patent**  
**Woller**

(10) **Patent No.:** **US D718,410 S**

(45) **Date of Patent:** **\*\* Nov. 25, 2014**

(54) **TREE MOUNTED GAME HOIST**

7,544,120 B1 \* 6/2009 Tardif et al. .... 452/187  
D625,386 S \* 10/2010 Missildine ..... D22/199  
7,913,980 B1 \* 3/2011 Cipriano ..... 248/219.1

(71) Applicant: **Ronald Ray Woller**, Decatur, AL (US)

\* cited by examiner

(72) Inventor: **Ronald Ray Woller**, Decatur, AL (US)

*Primary Examiner* — Catheri Oliver-Garcia

(73) Assignee: **Viking Solutions, LLC**, Decatur, AL (US)

(57) **CLAIM**

The ornamental design for a tree mounted game hoist, as shown and described.

(\*\*) Term: **14 Years**

(21) Appl. No.: **29/463,819**

**DESCRIPTION**

(22) Filed: **Mar. 12, 2014**

(51) **LOC (10) Cl.** ..... **22-99**

(52) **U.S. Cl.**  
USPC ..... **D22/199**

(58) **Field of Classification Search**  
USPC ..... D22/199; 248/219.1, 218.4; 414/462;  
212/180; D6/678.4

See application file for complete search history.

FIG. 1 is a front elevation view of the tree mounted game hoist showing the new design

FIG. 2 is a right elevation view thereof;

FIG. 3 is a left elevation view thereof;

FIG. 4 is a top plan view thereof;

FIG. 5 is a bottom plan view thereof; and,

FIG. 6 is an isometric view thereof.

The broken line showing of environment in the drawings is included for the purpose of illustrating only and forms no part of the claimed design.

The ornamental design for a tree mounted game hoist as shown and described herein to aid hunters in field dressing harvested game.

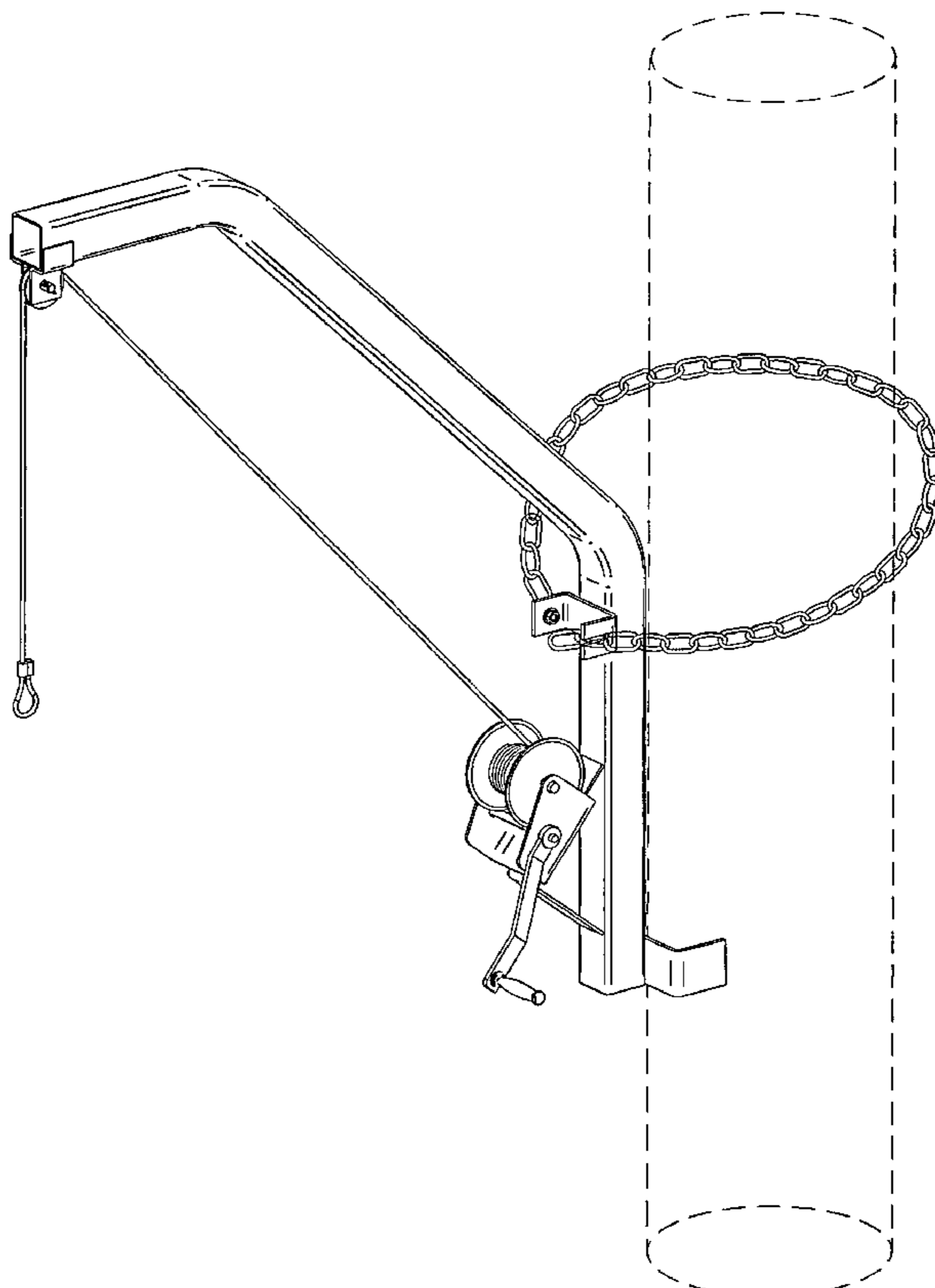
A tree mounted hand operated hoist for field dressing game animals in remote areas, including a chain for connection to a tree.

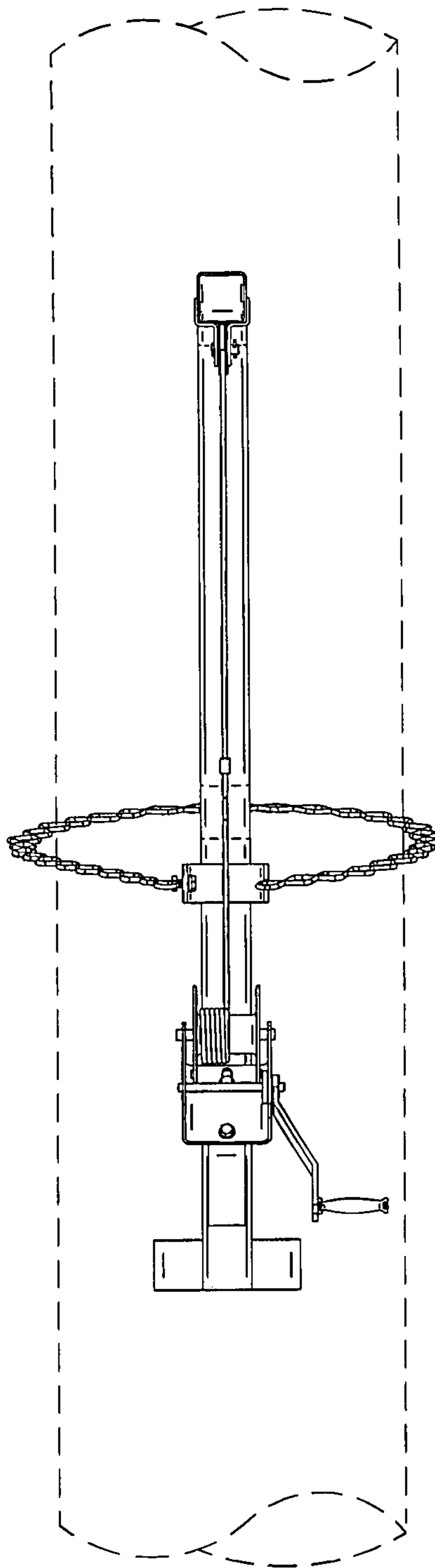
(56) **References Cited**

U.S. PATENT DOCUMENTS

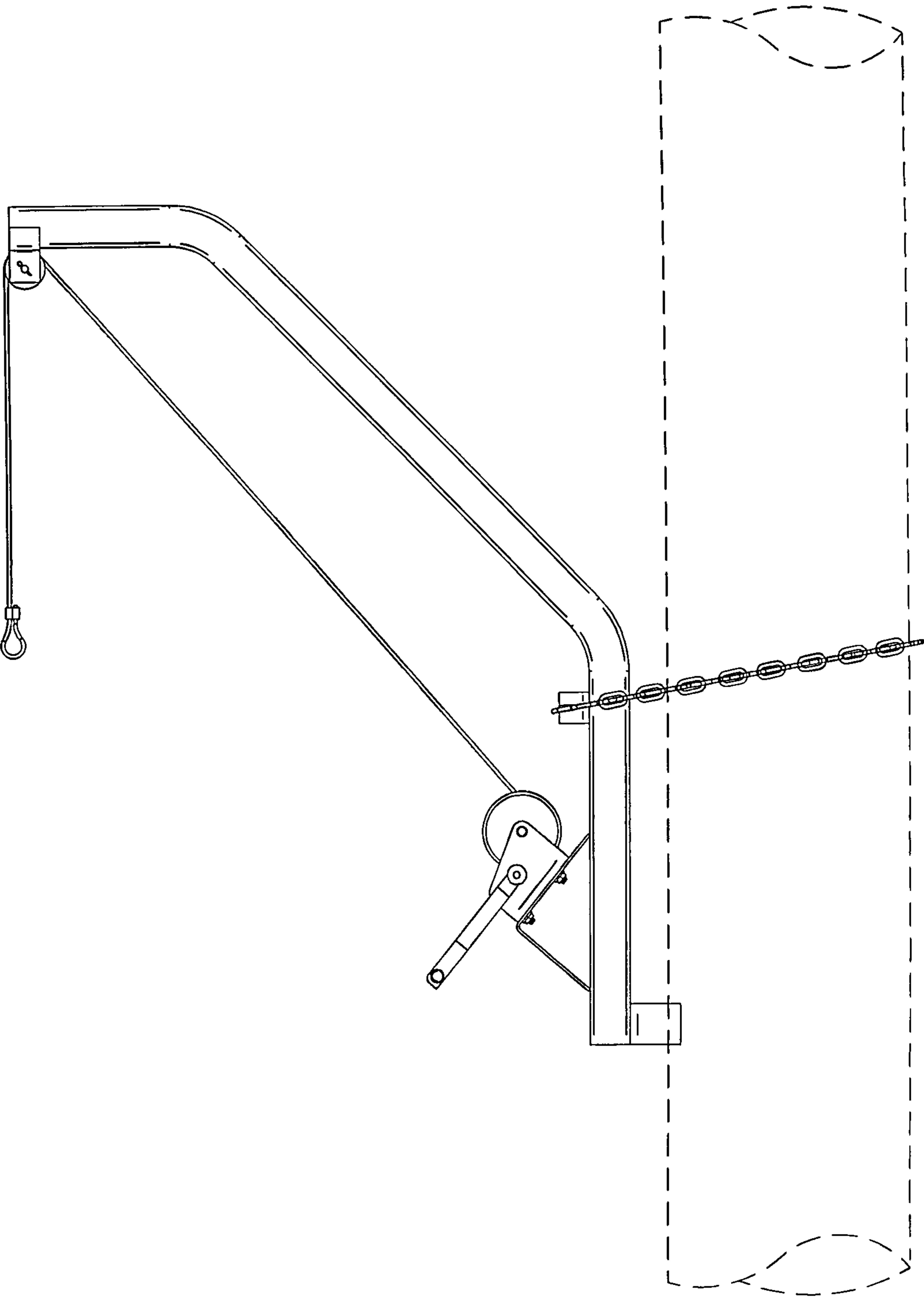
5,049,110 A \* 9/1991 Owens ..... 452/187  
D374,208 S \* 10/1996 Eva, Jr. .... D22/199  
6,695,688 B1 \* 2/2004 Owen et al. .... 452/187  
6,739,964 B2 5/2004 Gearhart  
7,341,507 B1 3/2008 Julian, Sr.  
7,476,149 B2 1/2009 Burrows

**1 Claim, 6 Drawing Sheets**

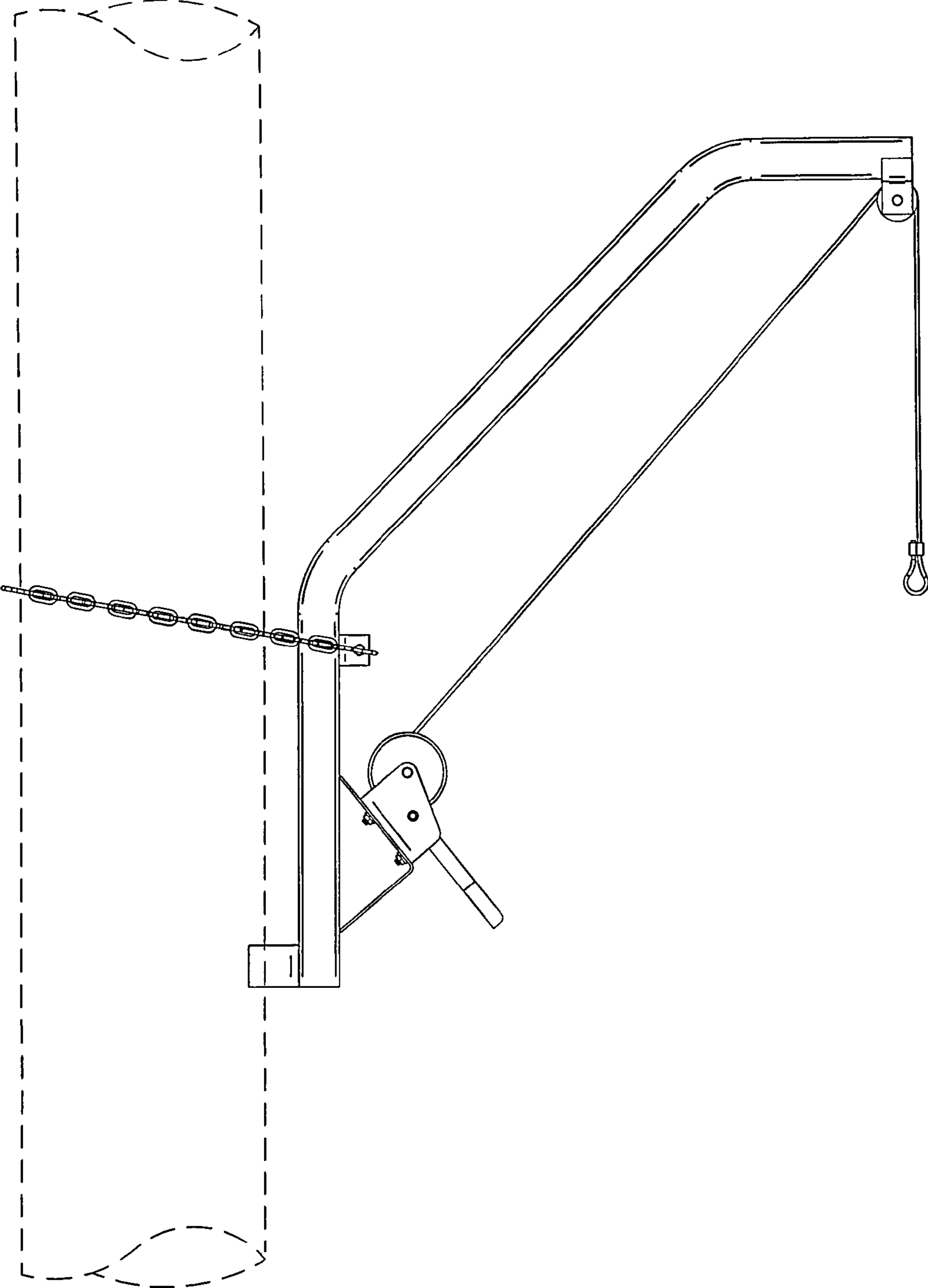




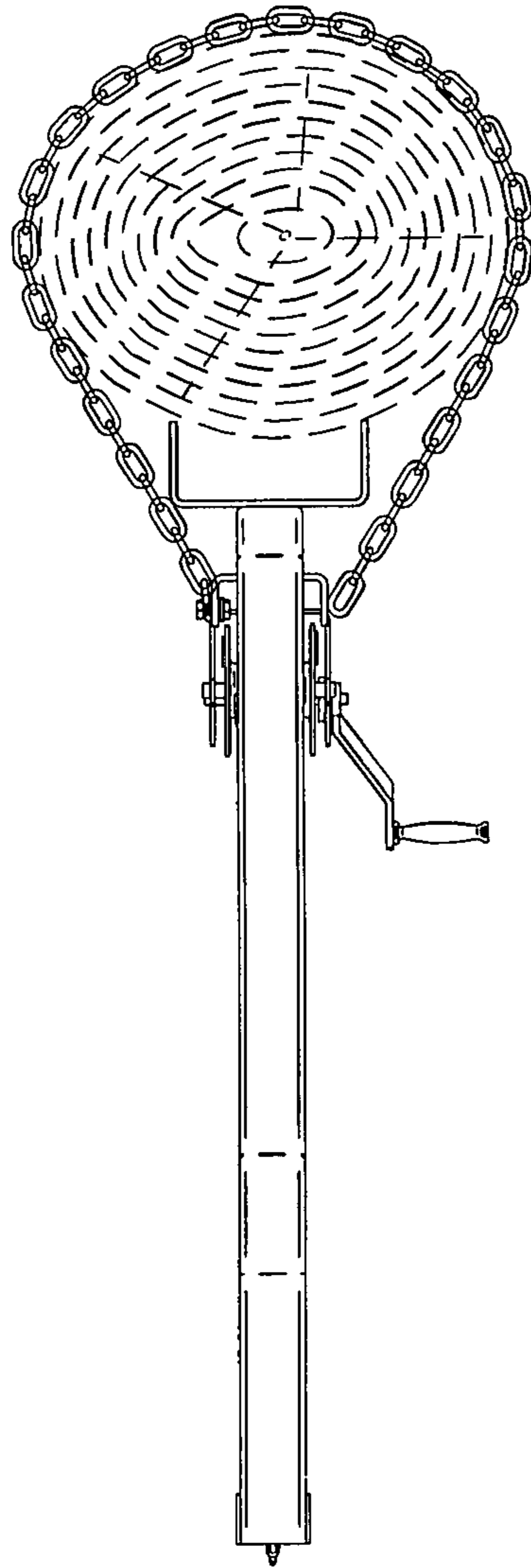
*Figure 1*



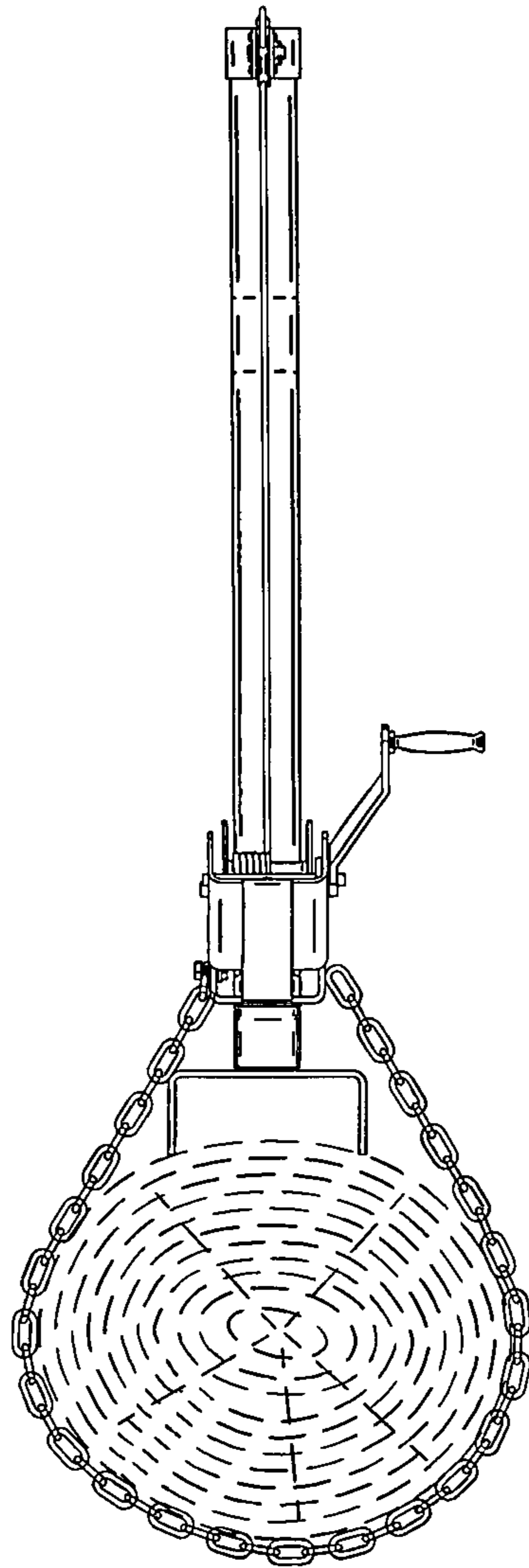
*Figure 2*



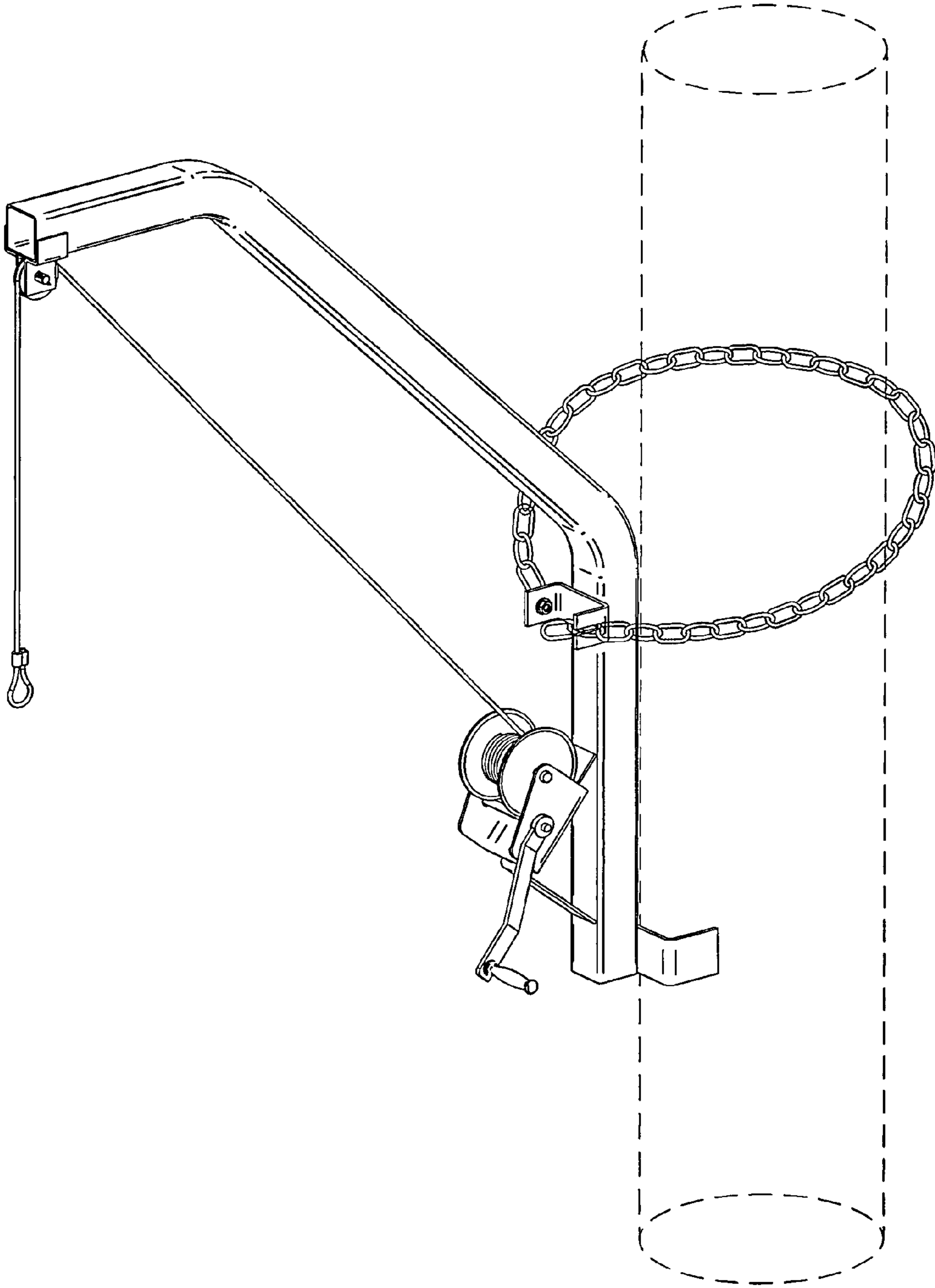
*Figure 3*



*Figure 4*



*Figure 5*



*Figure 6*