



US00D718409S

(12) **United States Design Patent**
Asaba

(10) **Patent No.:** **US D718,409 S**
(45) **Date of Patent:** **** Nov. 25, 2014**

(54) **FISHING REEL**

FOREIGN PATENT DOCUMENTS

(71) Applicant: **Shimano Inc.**, Sakai, Osaka (JP)

JP 1378217 S 1/2010
JP 1476567 S 8/2013

(72) Inventor: **Mariko Asaba**, Osaka (JP)

* cited by examiner

(73) Assignee: **Shimano Inc.**, Osaka (JP)

Primary Examiner — Catheri Oliver-Garcia

(**) Term: **14 Years**

(74) *Attorney, Agent, or Firm* — Global IP Counselors

(21) Appl. No.: **29/485,455**

(57) **CLAIM**

The ornamental design for fishing reel, as shown and described.

(22) Filed: **Mar. 19, 2014**

DESCRIPTION

(30) **Foreign Application Priority Data**

Sep. 27, 2013 (JP) 2013-022603

(51) **LOC (10) Cl.** **22-05**

(52) **U.S. Cl.**
USPC **D22/140**

(58) **Field of Classification Search**
USPC D22/137–141; 242/223–224, 234–240,
242/310, 314–315, 318, 322, 370
See application file for complete search history.

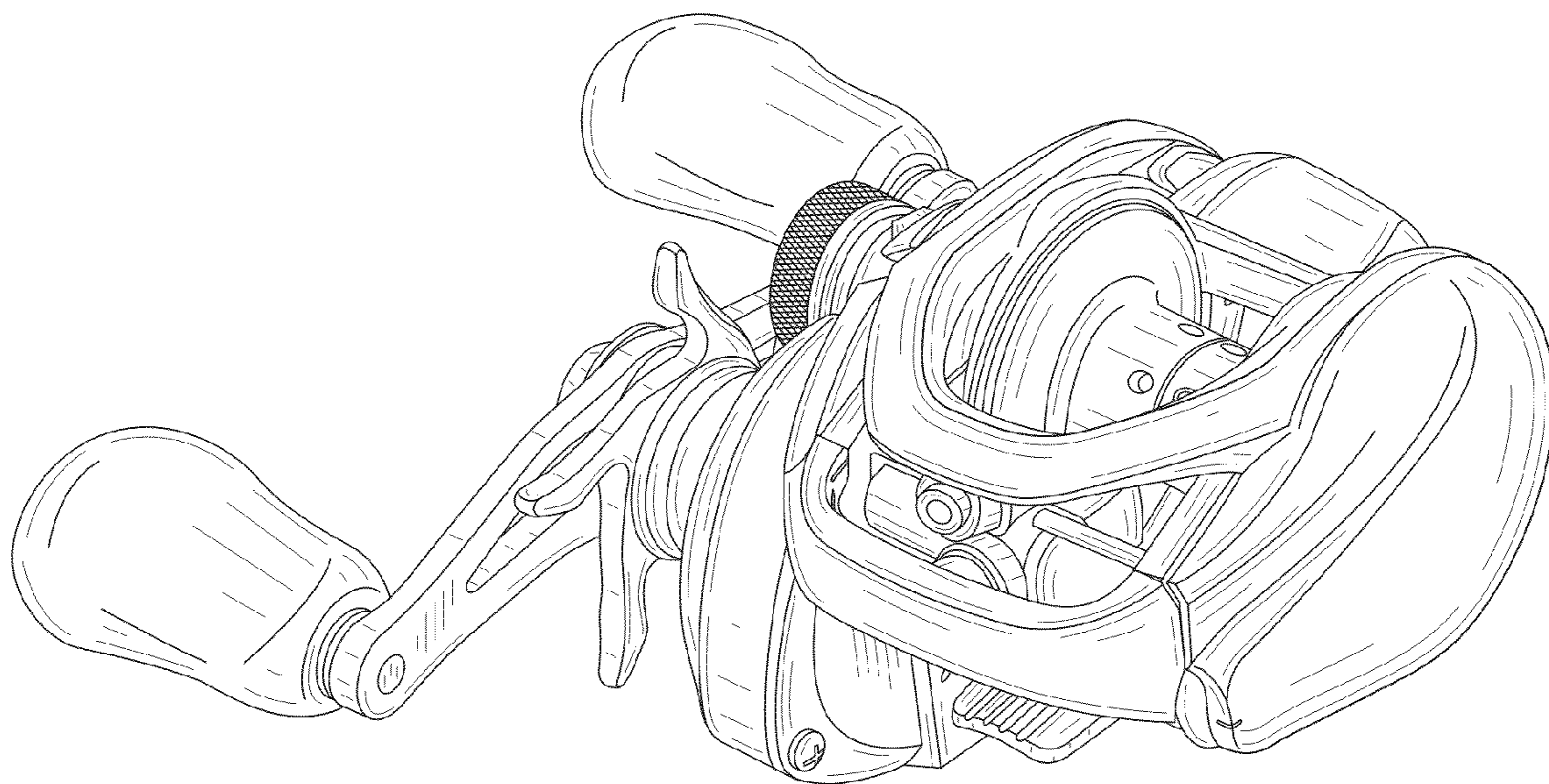
FIG. 1 is a first perspective view of a fishing reel in accordance with my new design;
FIG. 2 is a second perspective view of the fishing reel illustrated in FIG. 1;
FIG. 3 is a third perspective view of the fishing reel illustrated in FIG. 1;
FIG. 4 is a first end elevational view of the fishing reel illustrated in FIG. 1;
FIG. 5 is a second end elevational view of the fishing reel illustrated in FIG. 1;
FIG. 6 is a top plan view of the fishing reel illustrated in FIG. 1;
FIG. 7 is a bottom plan view of the fishing reel illustrated in FIG. 1;
FIG. 8 is a first side elevational view of the fishing reel illustrated in FIG. 1; and,
FIG. 9 is a second side elevational view of the fishing reel illustrated in FIG. 1.

(56) **References Cited**

U.S. PATENT DOCUMENTS

D504,491 S * 4/2005 Iwabuchi D22/140
D595,806 S 7/2009 Nago
D674,868 S 1/2013 Deguchi et al.
D674,869 S * 1/2013 Deguchi D22/140
D684,238 S * 6/2013 McCune D22/140
D709,985 S * 7/2014 Deguchi D22/140

1 Claim, 5 Drawing Sheets



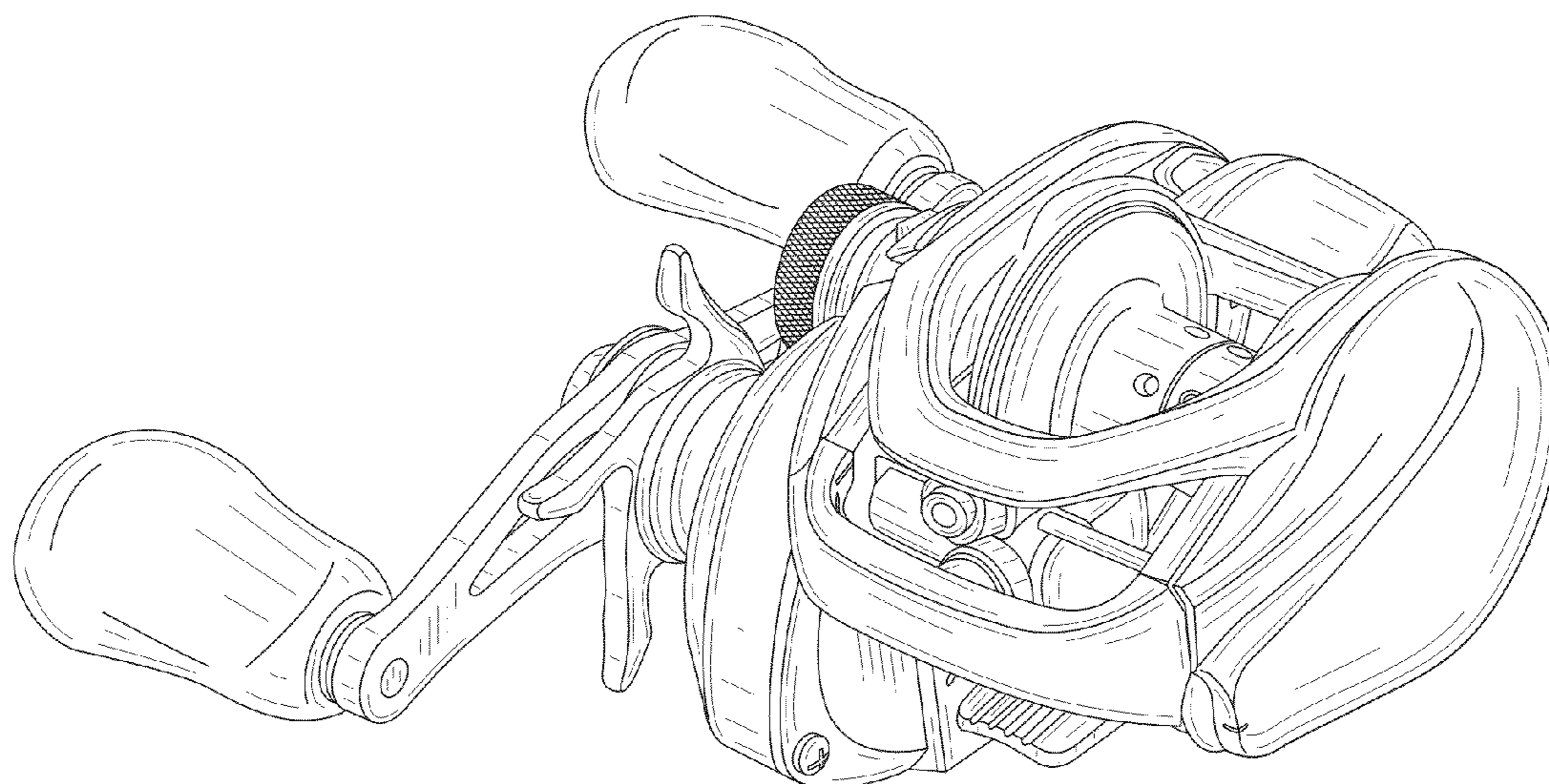


FIG. 1

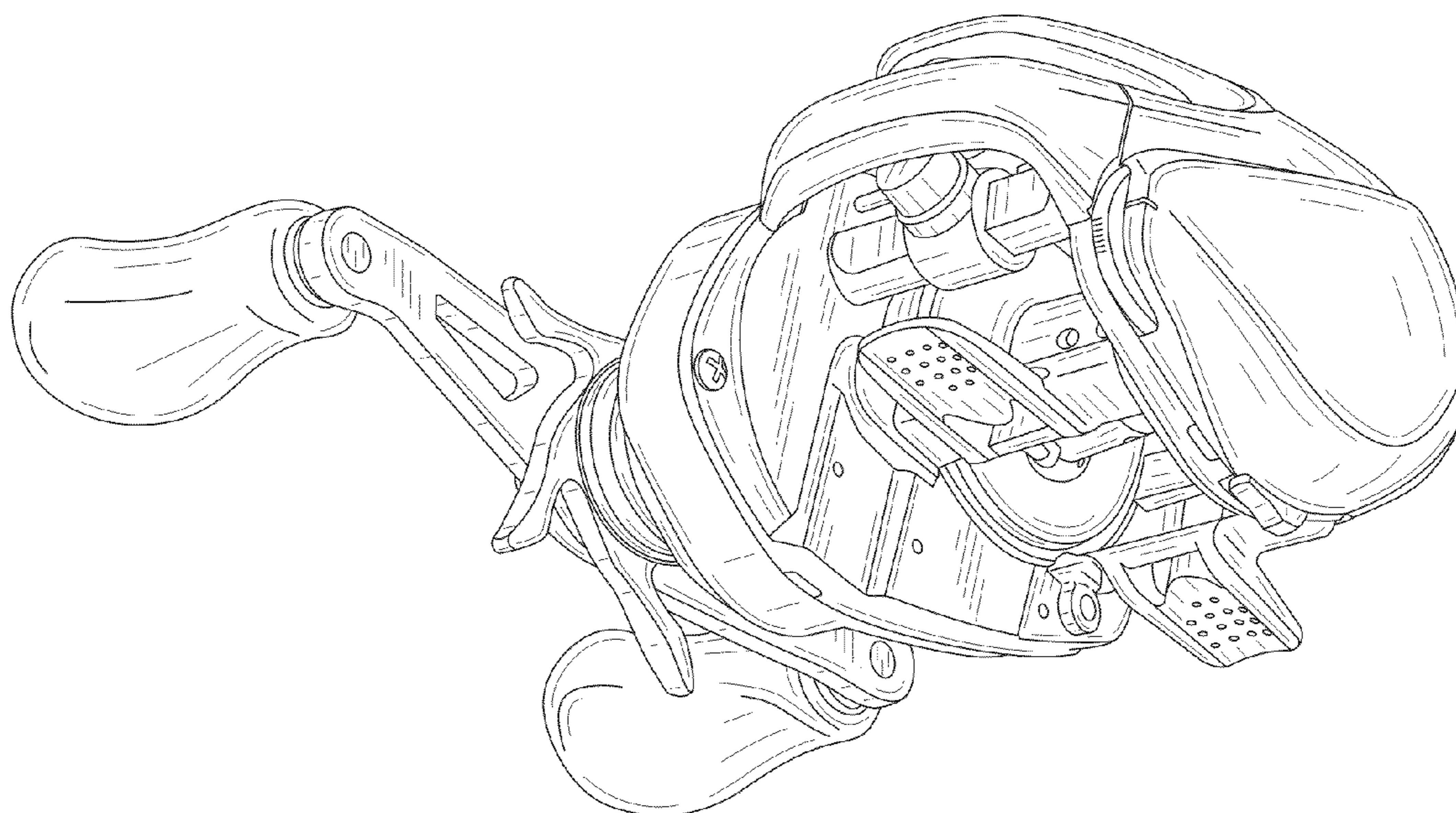


FIG. 2

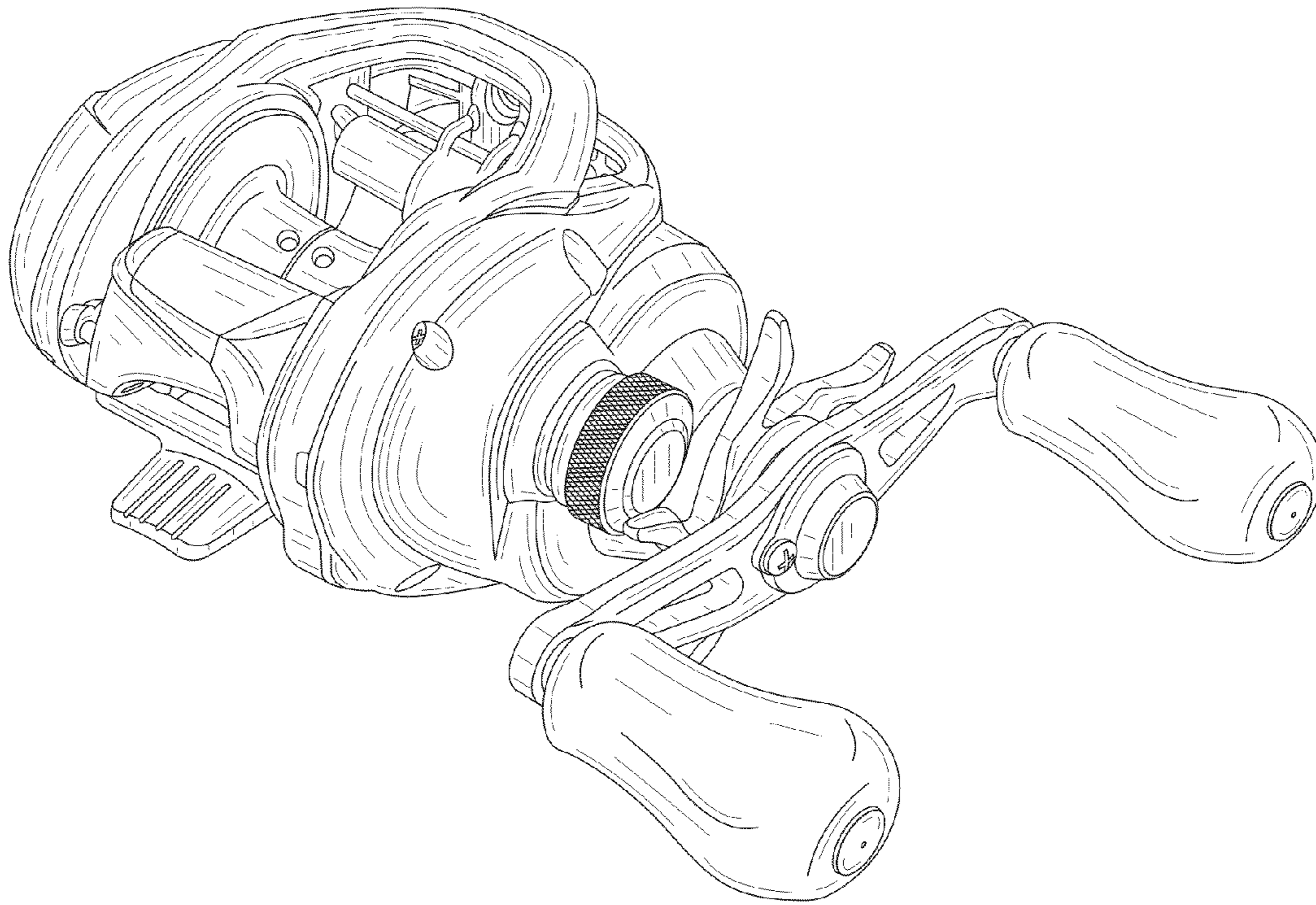


FIG. 3

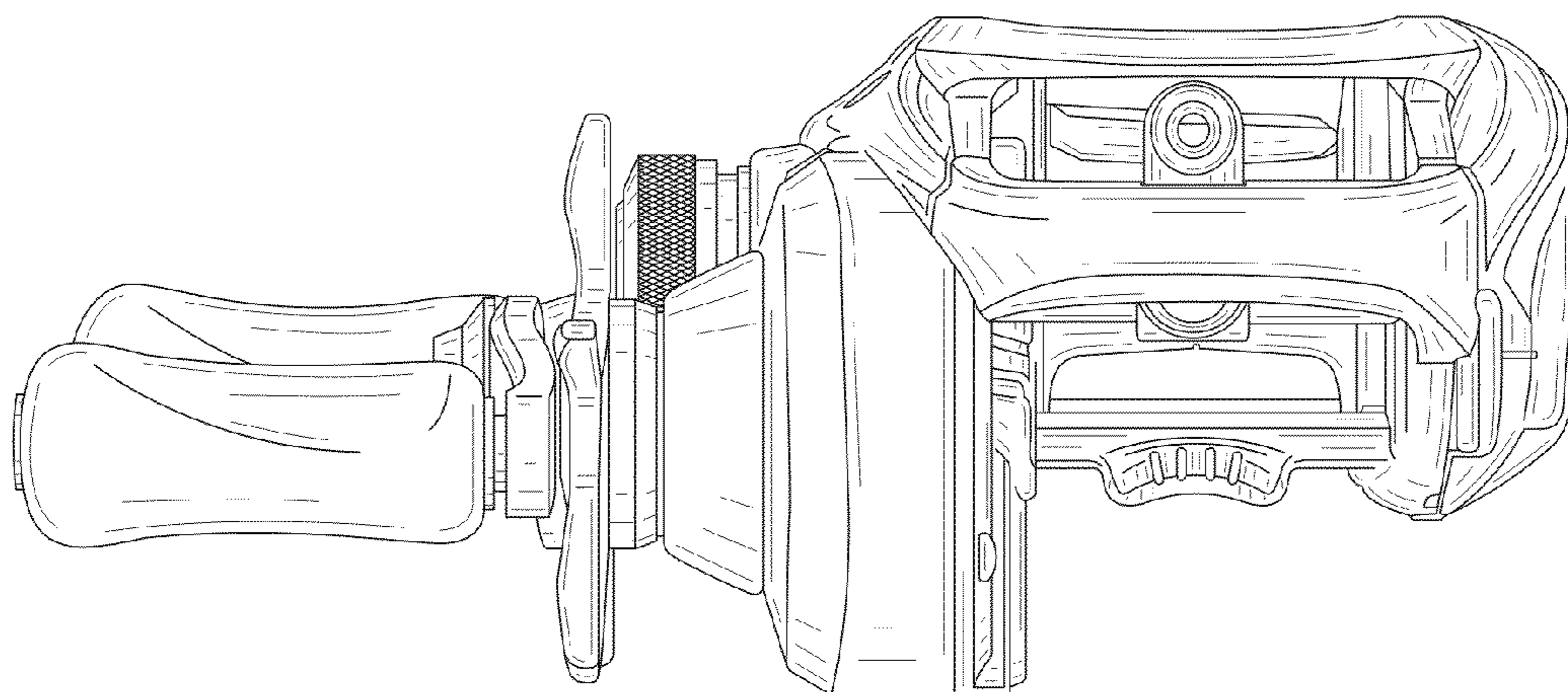


FIG. 4

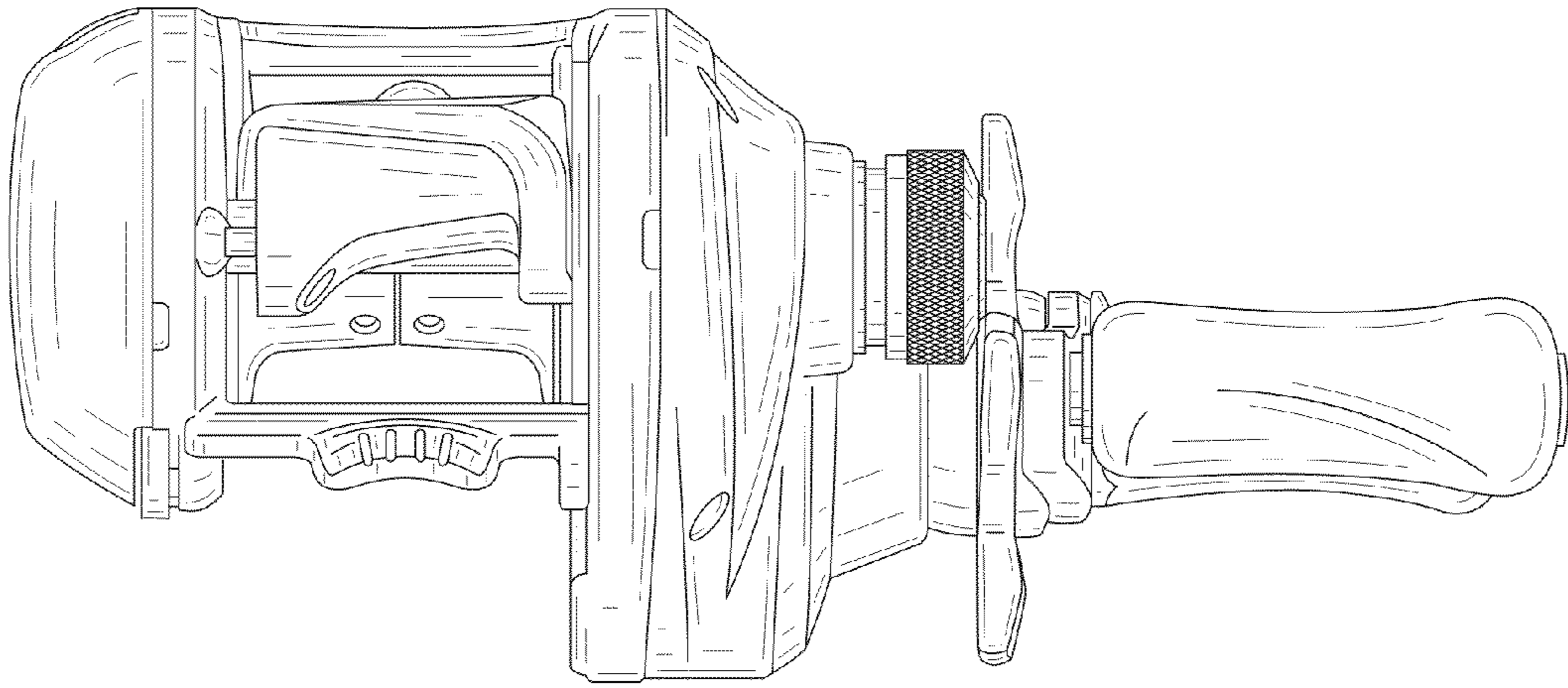


FIG. 5

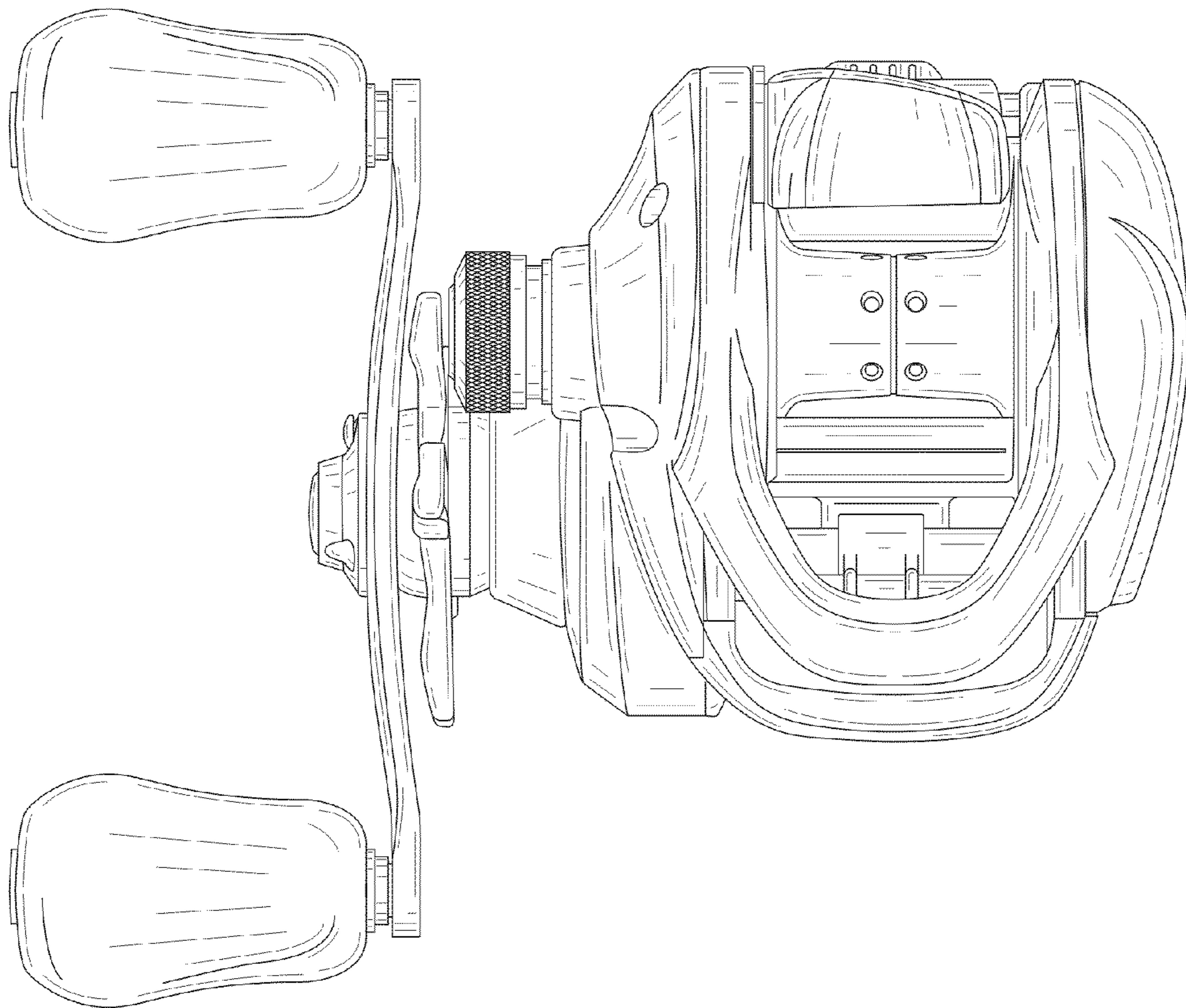


FIG. 6

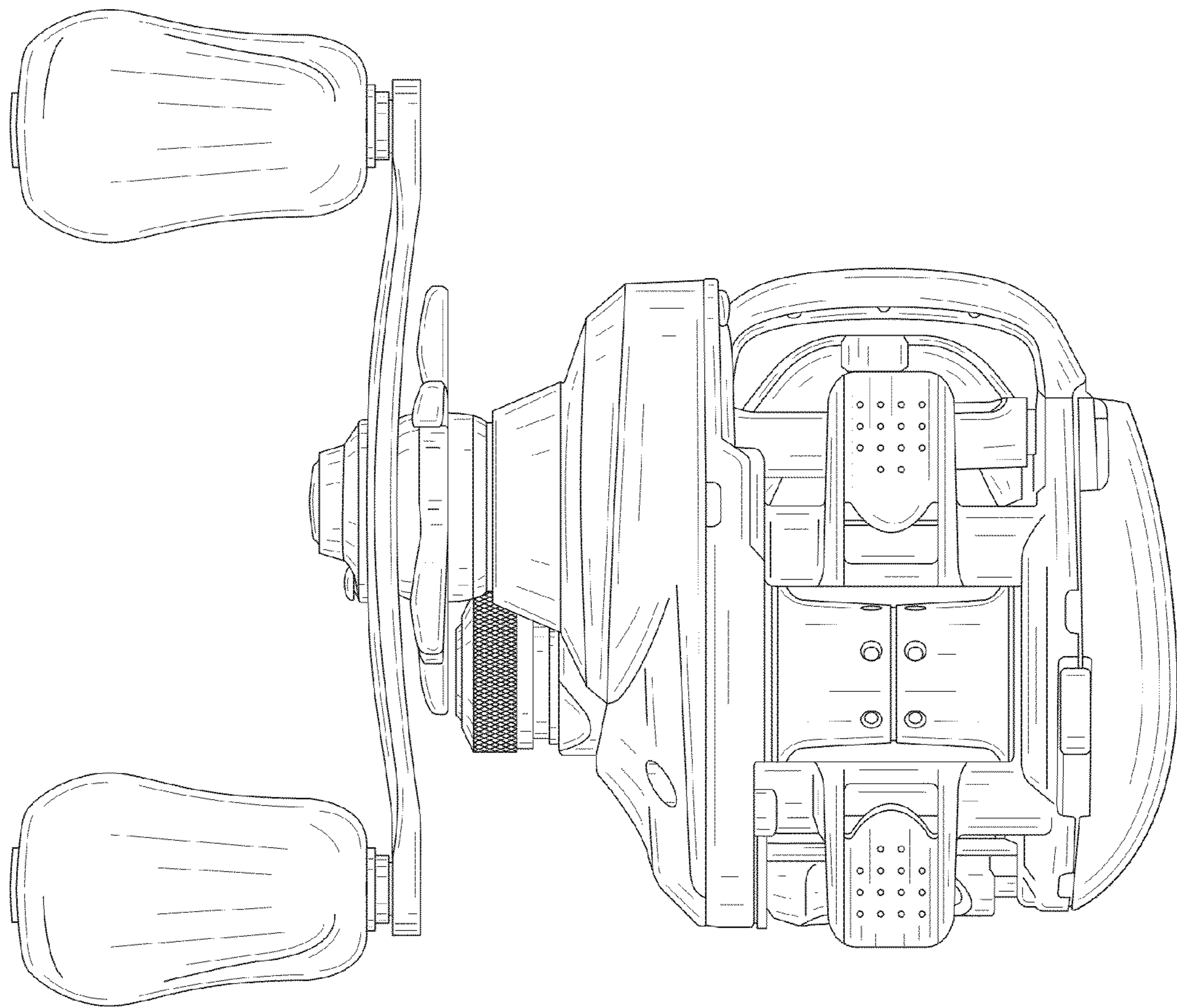


FIG. 7

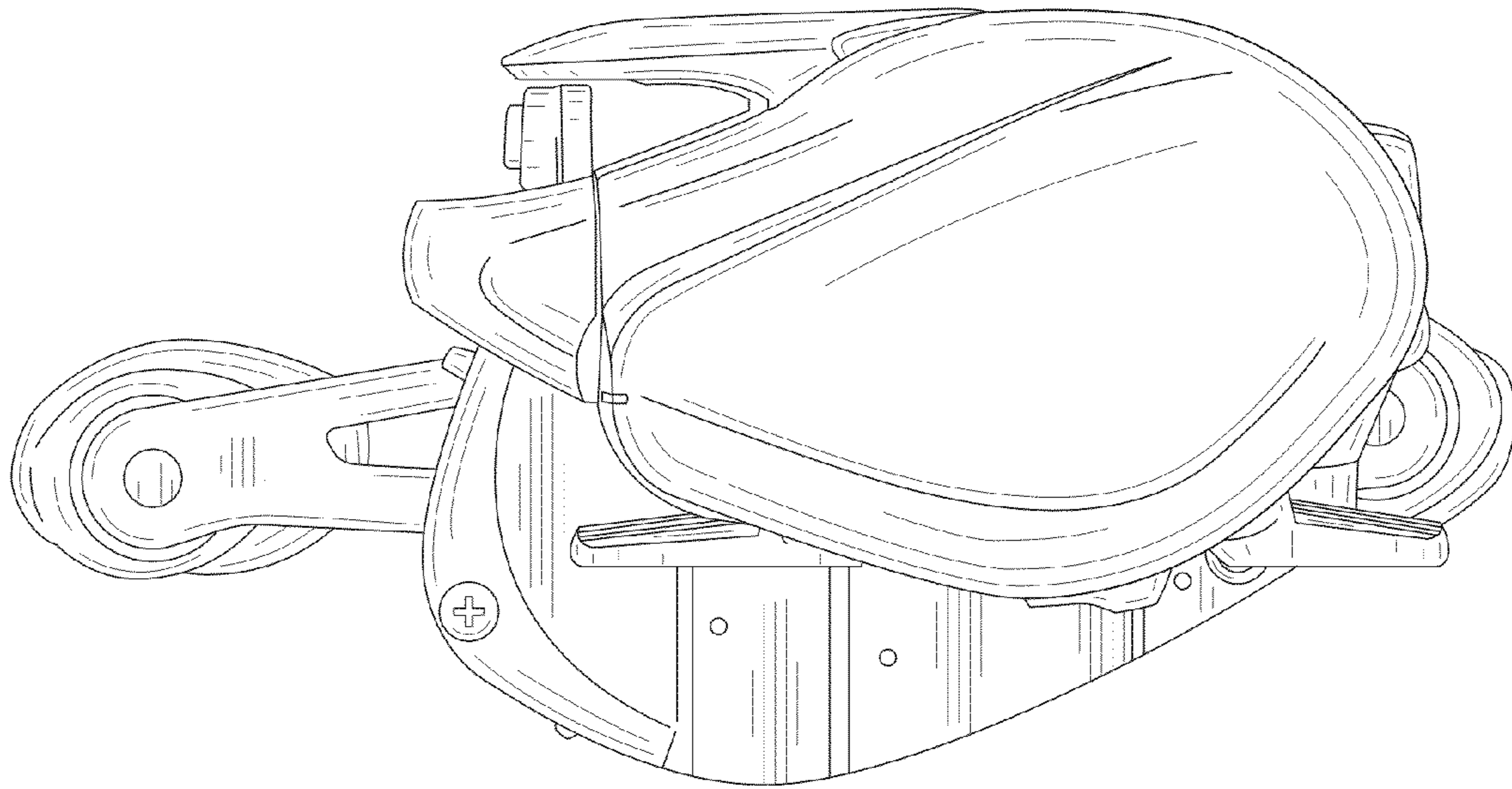


FIG. 8

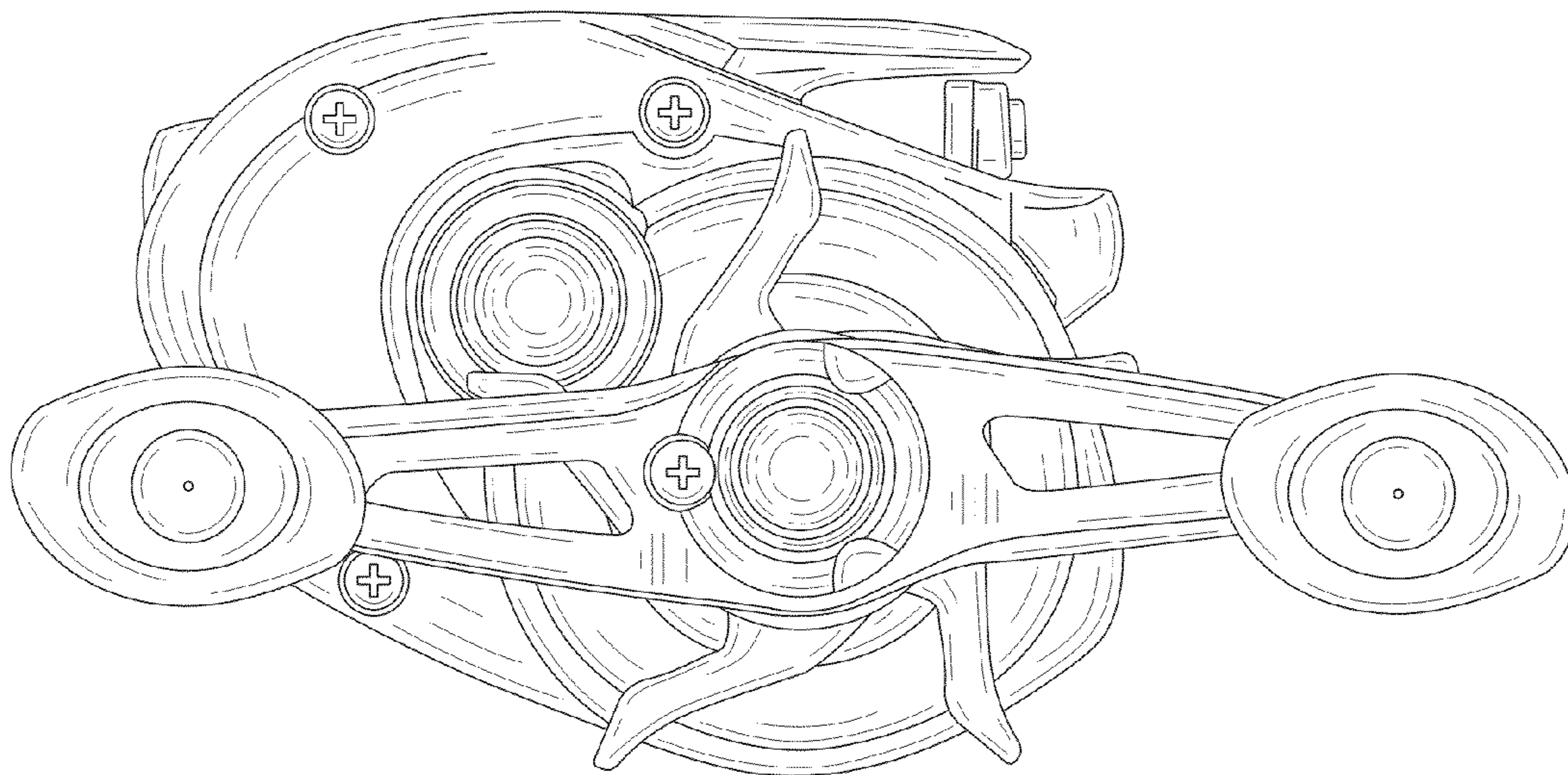


FIG. 9