



US00D718406S

(12) **United States Design Patent**
Mayberry et al.

(10) **Patent No.:** **US D718,406 S**

(45) **Date of Patent:** **** Nov. 25, 2014**

(54) **ROUND LIMITER FOR A FIREARM
MAGAZINE**

(71) Applicant: **Magpul Industries Corporation**, Erie,
CO (US)

(72) Inventors: **Michael T. Mayberry**, Denver, CO
(US); **Richard Fitzpatrick**, Longmont,
CO (US); **Brian Nakayama**, Arvada, CO
(US); **Nick Kielsmeier**, Thornton, CO
(US)

(73) Assignee: **Magpul Industries Corporation**, Erie,
CO (US)

(**) Term: **14 Years**

(21) Appl. No.: **29/466,793**

(22) Filed: **Sep. 11, 2013**

(51) **LOC (10) Cl.** **22-01**

(52) **U.S. Cl.**
USPC **D22/108**

(58) **Field of Classification Search**

CPC F41A 9/61; F41A 9/62; F41A 9/63;
F41A 9/64; F41A 9/65; F41A 9/68; F41A
9/69; F41A 9/73; F41A 9/74; F41A 9/75;
F41A 9/79; F41A 9/86
USPC D22/108; 42/51, 71.01, 75.01, 75.02,
42/90, 94; 89/33.01

See application file for complete search history.

(56) **References Cited**

U.S. PATENT DOCUMENTS

3,019,542 A * 2/1962 Manthos 42/18
3,777,383 A * 12/1973 Haines et al. 42/49.02

(Continued)

OTHER PUBLICATIONS

Magpul Print Catalog (2011) PMAG AR/M4 GEN M2 Limiters, p.
21.

(Continued)

Primary Examiner — Michael A Pratt

(74) *Attorney, Agent, or Firm* — Swanson & Bratschun,
L.L.C.

(57)

CLAIM

The ornamental design for a round limiter for a firearm maga-
zine, as shown and described.

DESCRIPTION

FIG. 1 is a left, top, rear perspective view of a round limiter
showing our new design shown installed in a firearm maga-
zine, with a left side portion of the magazine removed and the
right side portion of the magazine shown in broken lines;
FIG. 2 is a left, top, rear perspective view of the round limiter
of FIG. 1;

FIG. 3 is a left side elevation view of the round limiter of FIG.
1;

FIG. 4 is a right side elevation view of the round limiter of
FIG. 1;

FIG. 5 is a front elevation view of the round limiter of FIG. 1;

FIG. 6 is a rear elevation view of the round limiter of FIG. 1;

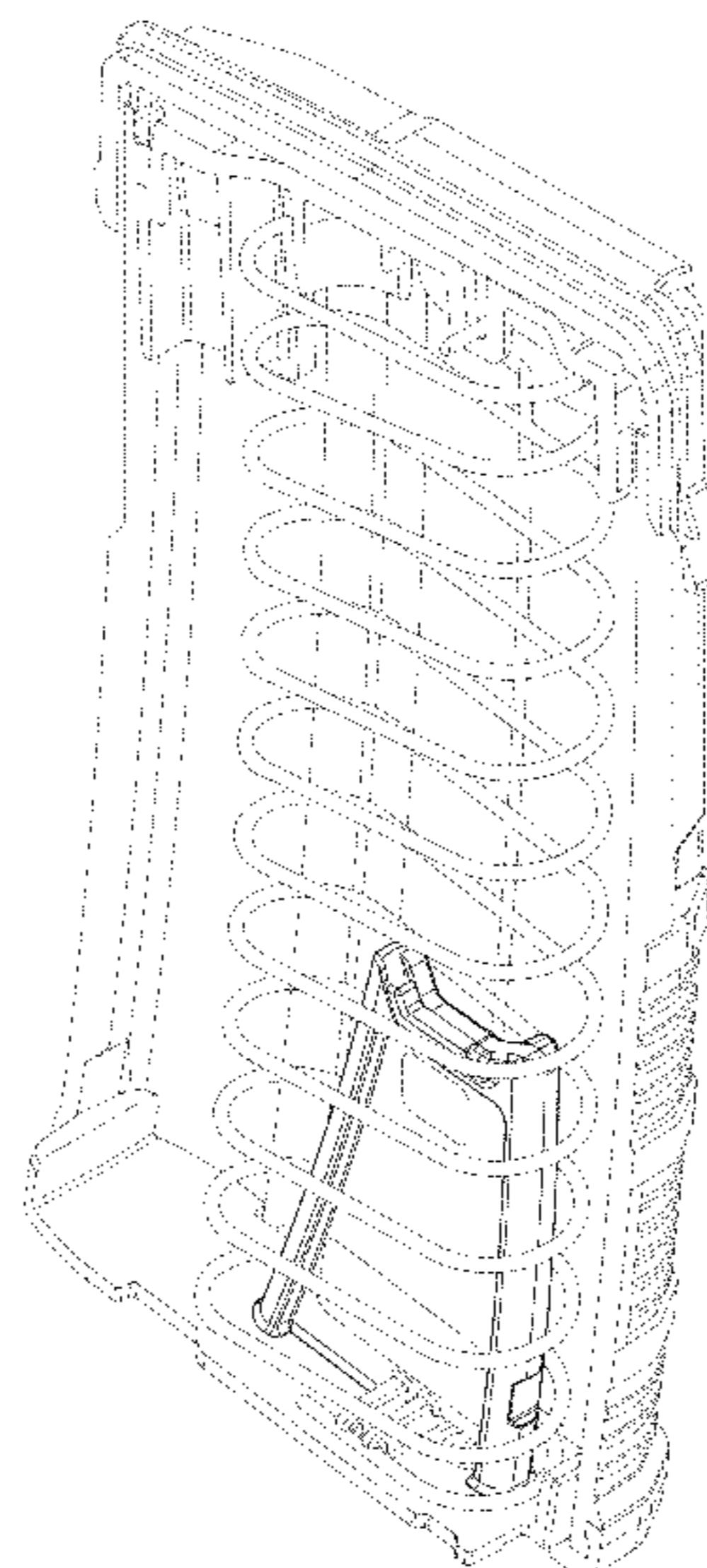
FIG. 7 is a top plan view of the round limiter of FIG. 1;

FIG. 8 is a bottom plan view of the round limiter of FIG. 1;
and,

FIG. 9 is a left side elevation view an alternate embodiment of
the round limiter of FIGS. 1-7, having all the design features
thereof illustrating a break in the round limiter with no spe-
cific height being claimed, and being understood that all other
surfaces are the same as those of the round limiter of FIGS.
1-7.

The broken lines immediately adjacent the claimed surfaces
represent boundaries of the claimed design. All other broken
lines depict unclaimed environment. The broken lines and
unshaded surfaces bounded by broken lines form not part of
the claimed design.

1 Claim, 6 Drawing Sheets



(56)

References Cited

OTHER PUBLICATIONS

U.S. PATENT DOCUMENTS

8,713,835	B1 *	5/2014	Calvert	42/49.02
8,752,317	B1 *	6/2014	Calvert	42/49.02
2013/0192115	A1 *	8/2013	Calilung	42/49.01

Design U.S. Appl. No. 29/467,922, filed Sep. 25, 2013, "Round Limiter for a Firearm Magazine" by Mayberry.

* cited by examiner

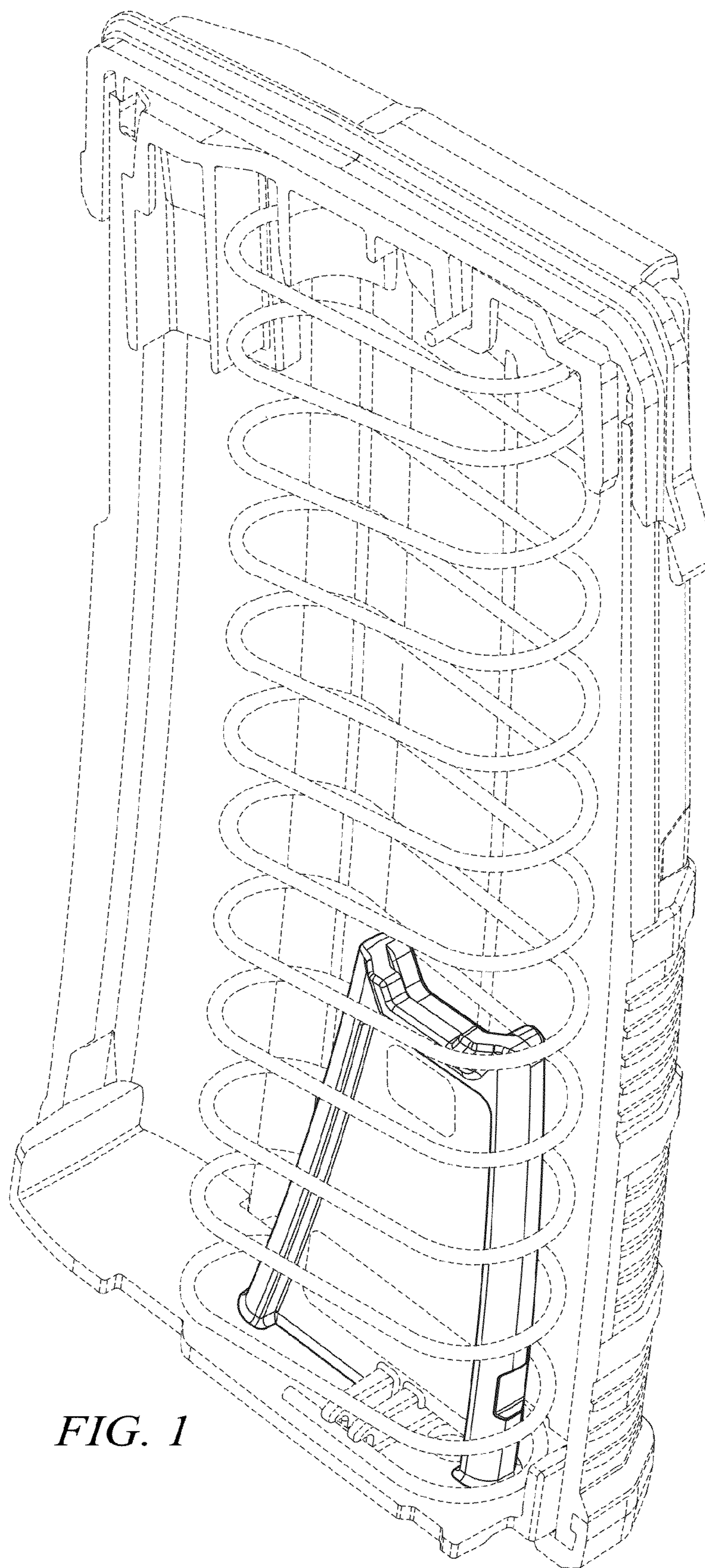


FIG. 1

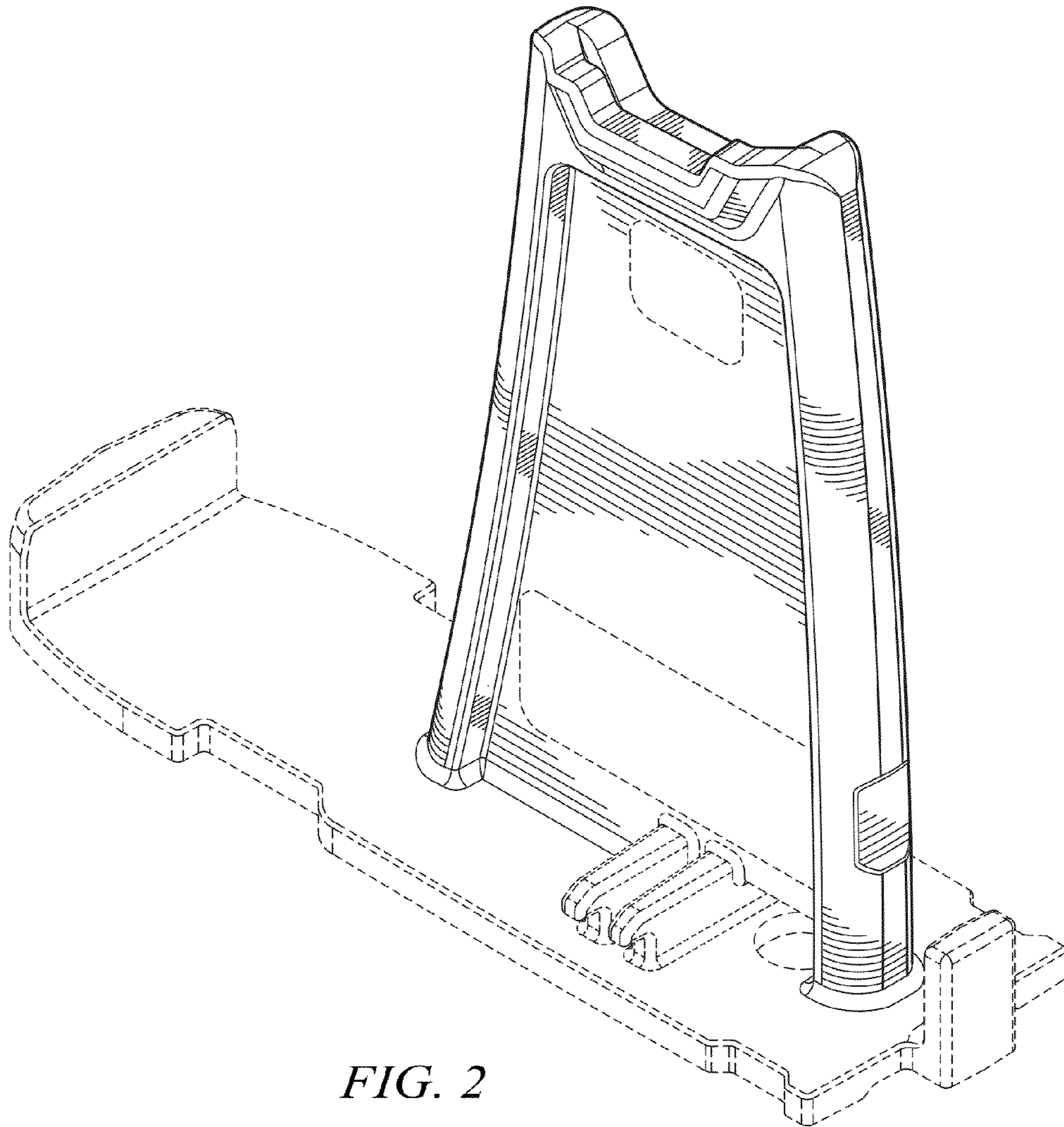


FIG. 2

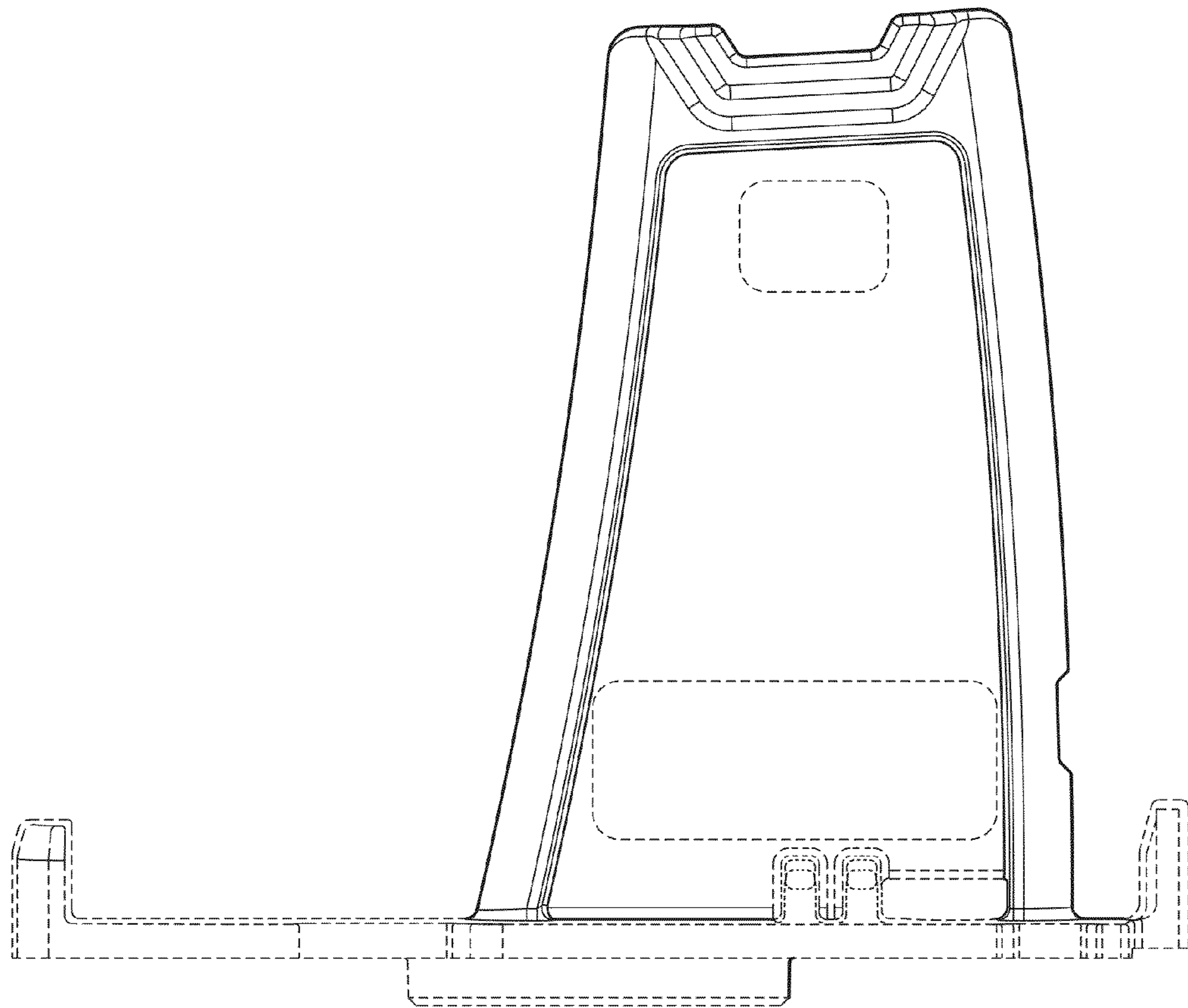


FIG. 3

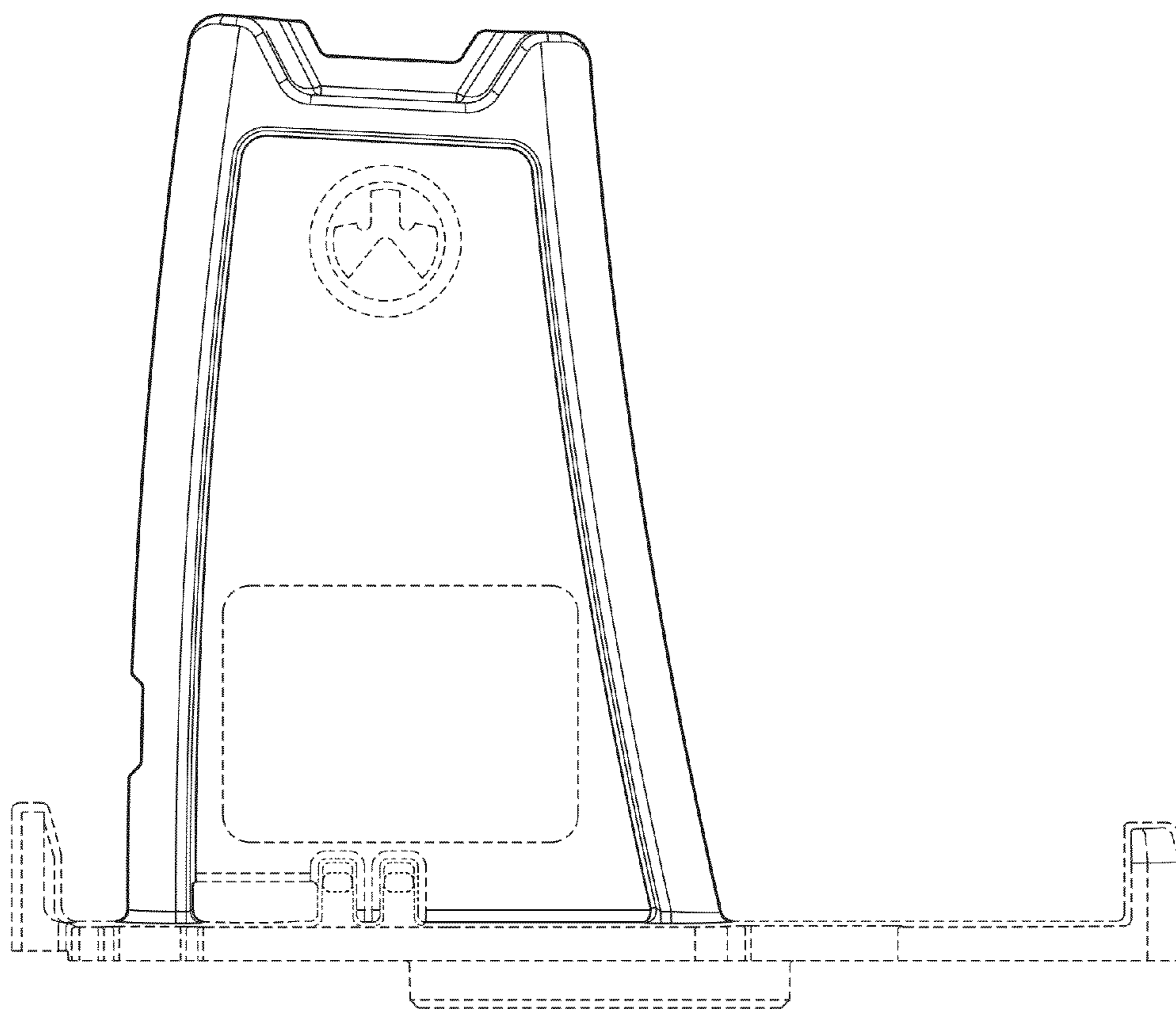


FIG. 4

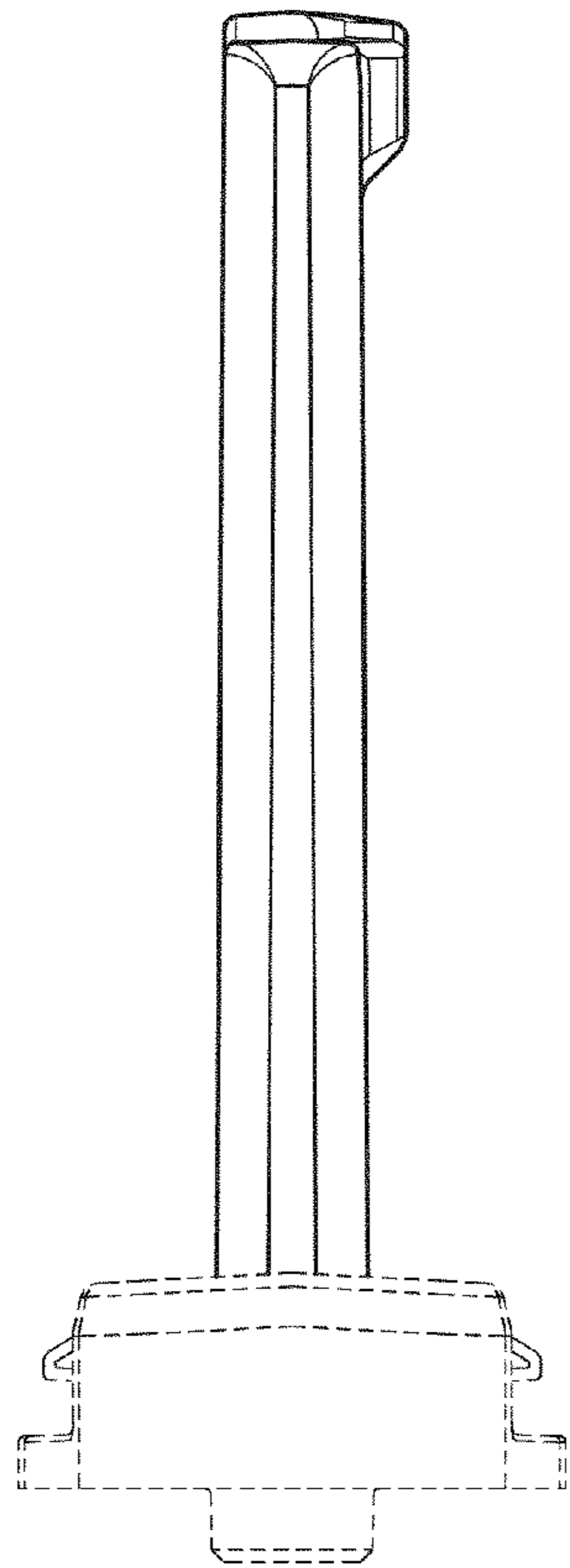


FIG. 5

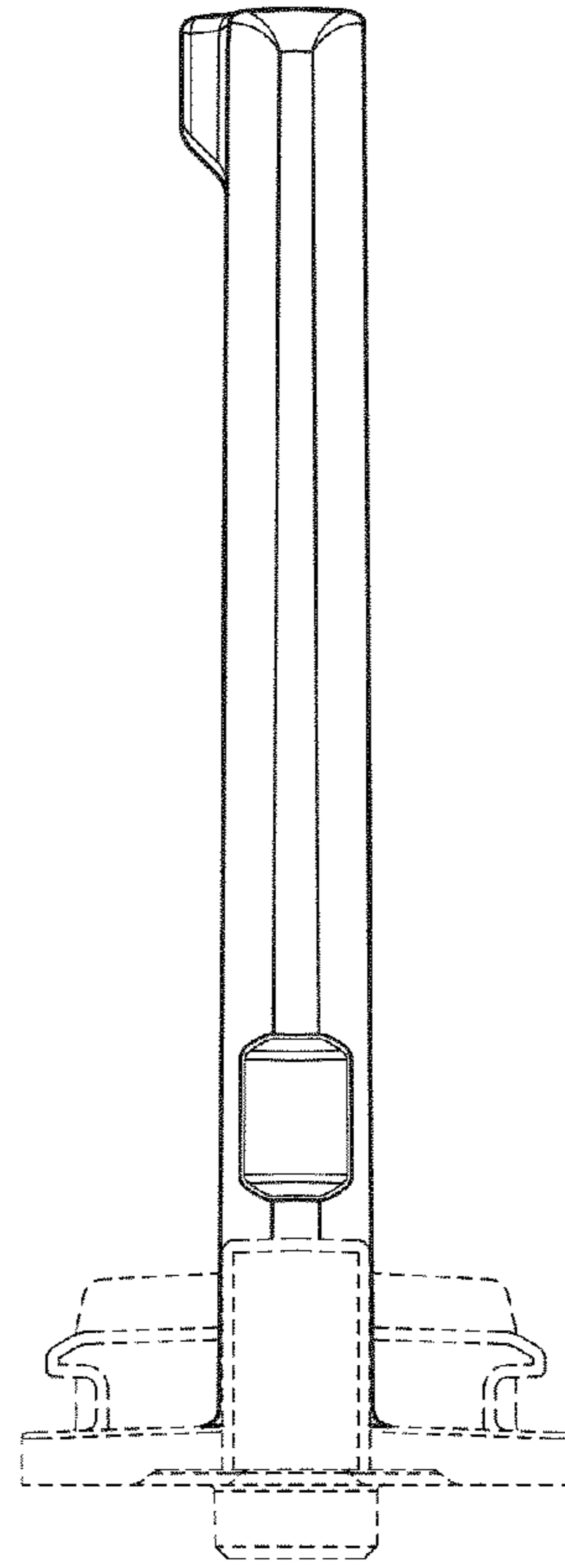


FIG. 6

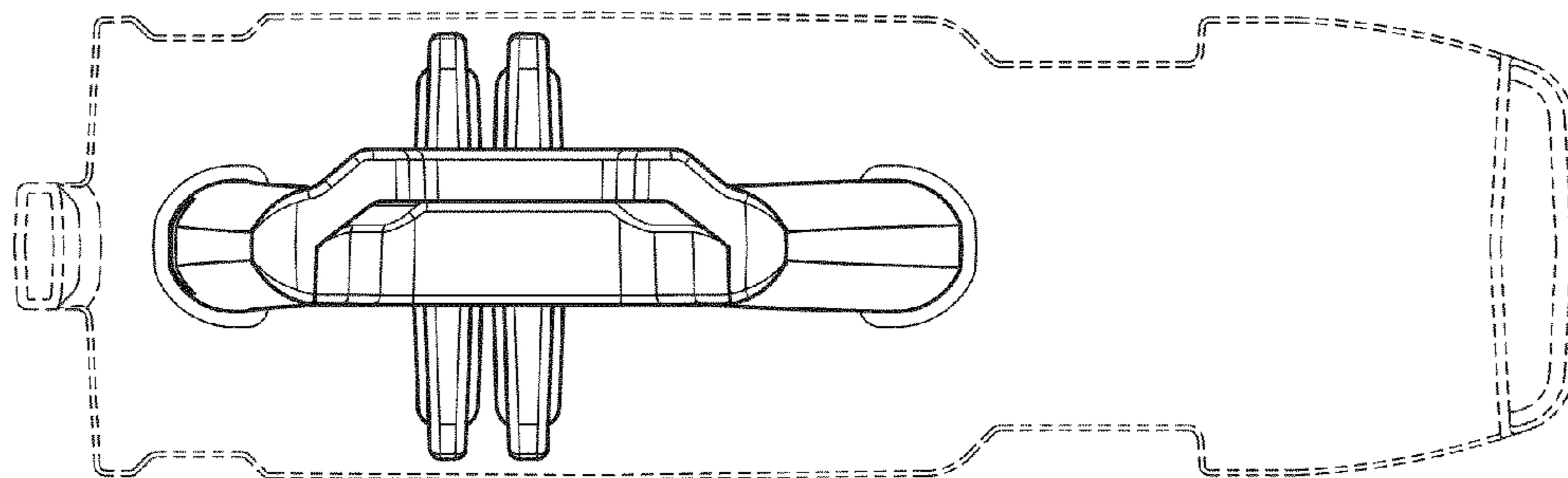


FIG. 7

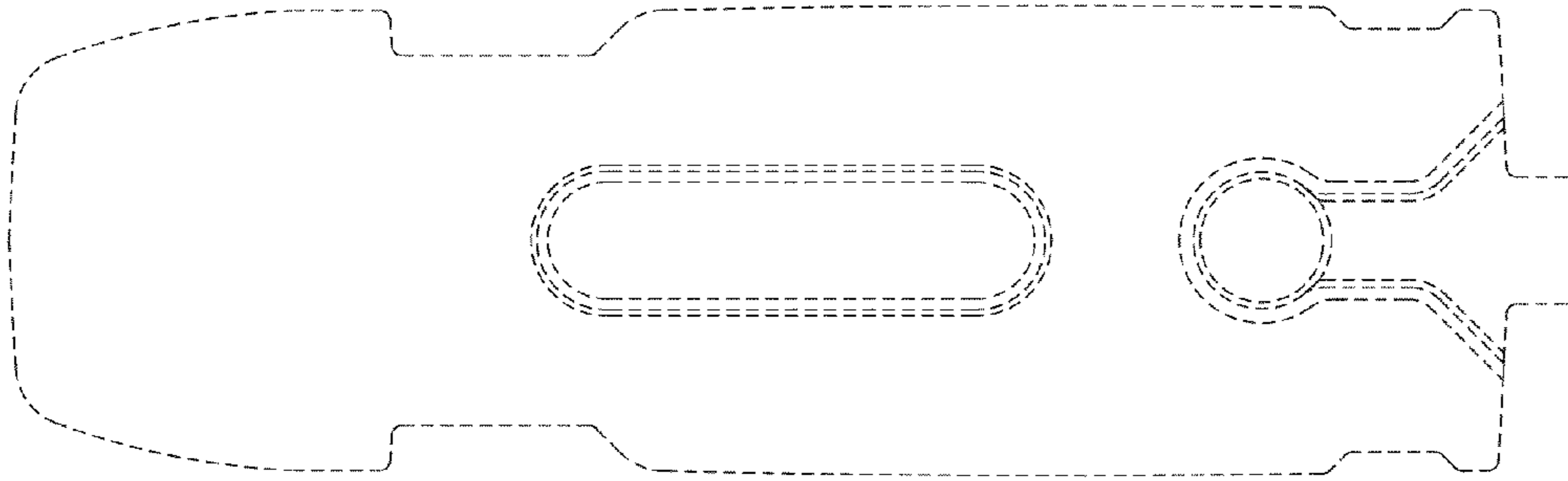


FIG. 8

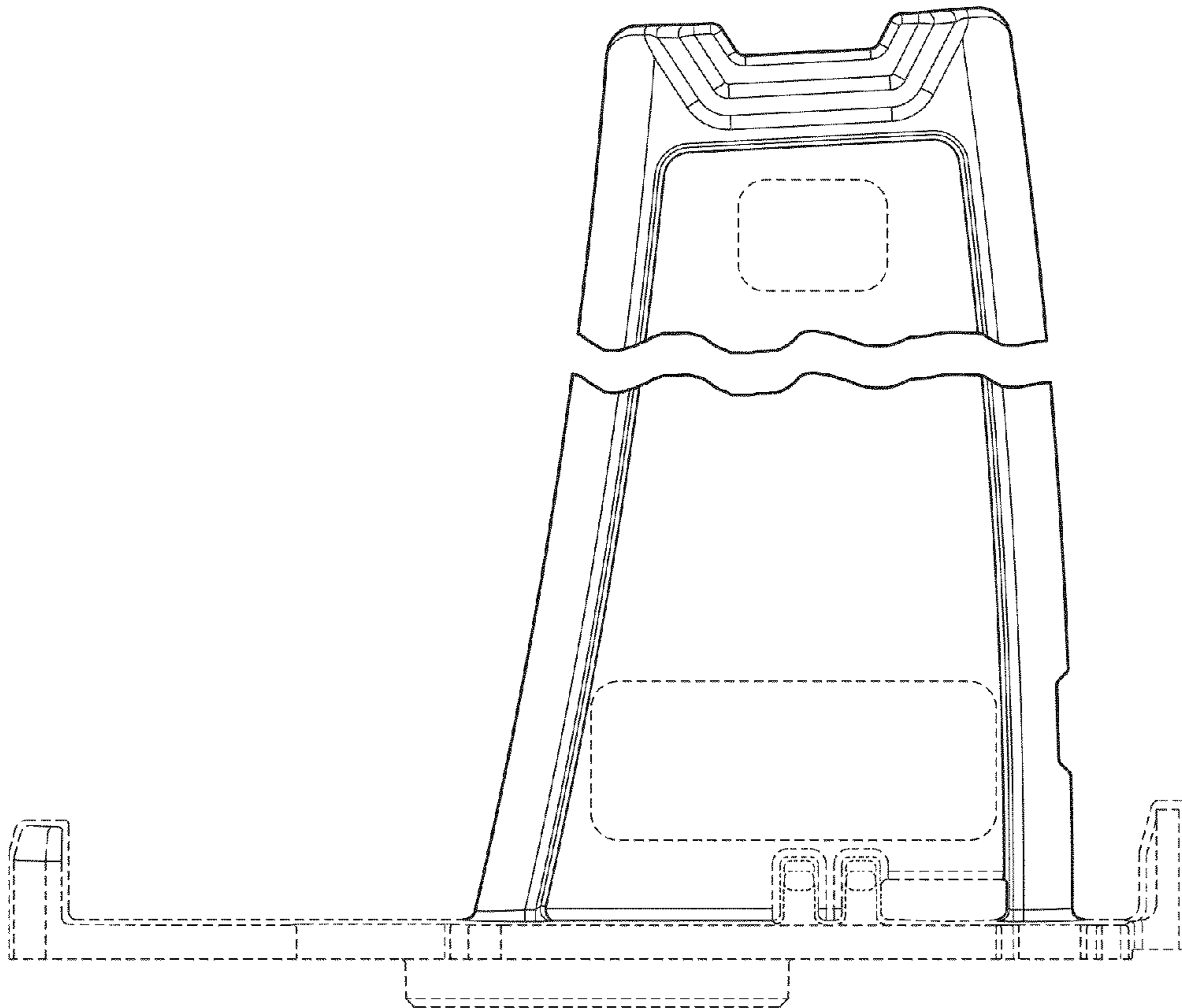


FIG. 9