



US00D718405S

(12) **United States Design Patent**  
**Fitzpatrick et al.**

(10) **Patent No.:** **US D718,405 S**

(45) **Date of Patent:** **\*\* Nov. 25, 2014**

(54) **FIREARM FOREGRIP**

(71) Applicant: **Magpul Industries Corporation**, Erie, CO (US)

(72) Inventors: **Richard Fitzpatrick**, Longmont, CO (US); **Michael T. Mayberry**, Denver, CO (US); **Thomas Ward, Jr.**, Tualatin, OR (US); **Brad Bennett**, Lafayette, CO (US)

(73) Assignee: **Magpul Industries Corporation**, Erie, CO (US)

(\*\*) Term: **14 Years**

(21) Appl. No.: **29/459,580**

(22) Filed: **Jul. 1, 2013**

(51) **LOC (10) Cl.** ..... **22-01**

(52) **U.S. Cl.**  
USPC ..... **D22/108**

(58) **Field of Classification Search**  
CPC ..... F41C 23/10; F41C 23/14; F41C 23/16;  
F41C 23/18

USPC ..... D22/108; 362/109-114; 42/90, 94, 114,  
42/117, 124-127, 131, 146  
See application file for complete search history.

(56) **References Cited**

**U.S. PATENT DOCUMENTS**

2,023,929	A	12/1935	Loomis
3,892,082	A	7/1975	Domhan
4,536,982	A	8/1985	Bredbury
4,663,875	A	5/1987	Tatro
D297,450	S	8/1988	Florida
5,010,676	A	4/1991	Kennedy

(Continued)

**FOREIGN PATENT DOCUMENTS**

FR	2751062	5/1996
WO	WO 2004/085950	10/2004

**OTHER PUBLICATIONS**

BravoCompanyUSA\_com\_2007\_M4\_Hand\_Gaurd  
BravoCompanyUSA.com (Oct. 15, 2007) M4 Hand Gaurd; Website [Online] Available Web Site: <http://www.bravocompanyusa.com/M4-Handguards-Black-p/bcm%20handguards%20m4%20black.htm>; Last Update: Feb. 19, 2008; Accessed on Feb. 23, 2011.  
Bushmaster\_com\_ACR\_Accessories\_Polymer\_Hand\_Guard  
Bushmaster.com, ACR Accessories—Polymer Hand Guard—Carbine—Black; Website [Online] Available Web Site: <http://www.bushmaster.com/products.asp?cat=11>; Last Update: unknown; Accessed on Feb. 23, 2011.

(Continued)

*Primary Examiner* — Michael A Pratt

(74) *Attorney, Agent, or Firm* — Swanson & Bratschun, L.L.C.

(57) **CLAIM**

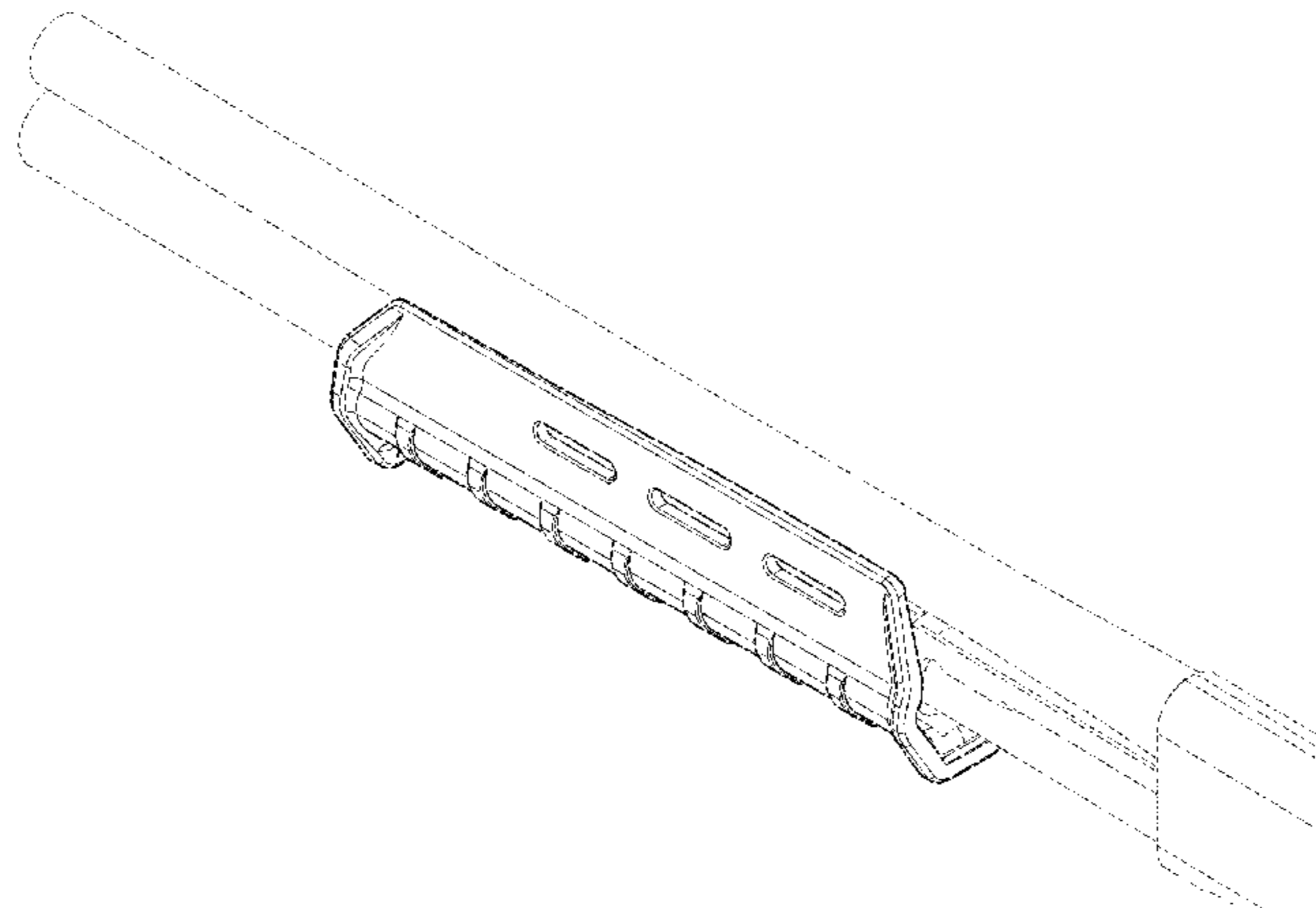
The ornamental design for a firearm foregrip, as shown and described.

**DESCRIPTION**

FIG. 1 is a left, rear, top perspective view of a firearm foregrip attached to a firearm barrel showing our new design; FIG. 2 is a left, rear, bottom perspective view of the firearm foregrip of FIG. 1 with the firearm barrel omitted; FIG. 3 is a right side elevation view of the firearm foregrip of FIG. 1, the left side being a mirror image thereof; FIG. 4 is a top plan view of the firearm foregrip of FIG. 1; FIG. 5 is a bottom plan view of the firearm foregrip of FIG. 1; FIG. 6 is a rear elevation view of the firearm foregrip of FIG. 1; and, FIG. 7 is a front elevation view of the firearm foregrip of FIG. 1.

The broken lines showing portions of the design in all figures are included for the purpose of illustrating environment and unclaimed features and forms not part of the claimed design.

**1 Claim, 5 Drawing Sheets**



(56)

References Cited

U.S. PATENT DOCUMENTS

5,054,221	A	10/1991	Ozols	
5,305,539	A	4/1994	von Kuster	
5,983,773	A	11/1999	Dionne	
6,609,321	B2	8/2003	Faifer	
6,662,485	B2	12/2003	Kay	
D486,547	S	2/2004	Faifer	
6,775,941	B1	8/2004	McNulty, Jr.	
D507,619	S	7/2005	Shiloni	
7,121,035	B2	10/2006	Greer	
7,194,834	B2	3/2007	Falenwolfe	
7,571,671	B2	8/2009	Engel	
D615,142	S	5/2010	Bentley	
7,866,079	B2	1/2011	Keeney	
D641,450	S	7/2011	Ding	
8,051,595	B2	11/2011	Hochstrate	
D656,215	S	3/2012	Fitzpatrick	
D672,838	S	12/2012	Mayberry	
8,448,367	B2	5/2013	Samson	
8,522,468	B2	9/2013	Webber	
2010/0059032	A1	3/2010	Zadra	
2011/0119982	A1	5/2011	Webber	
2012/0144712	A1	6/2012	Rostocil	
2014/0157639	A1*	6/2014	Larson, Jr. ....	42/71.01

OTHER PUBLICATIONS

Bushmaster\_com\_Disassembly\_Views\_AR15\_Rifle  
 Bushmaster.com ; Disassembly Views of the Bushmaster AR15 Rifle;  
 Website [Online] Available Web Site: <http://www.bushmaster.com/documentation/AR51%20PBRifleBBLAssembly.pdf>; Last Update:  
 unknown; Accessed on May 9, 2011.

Bushmaster\_com\_2007\_Schematic\_Parts\_Poster\_M4A3\_Carbine  
 Bushmaster.com (2007) Schematic Parts Poster for Bushmaster  
 M4A3 Carbine; Website [Online] Available Web Site: <http://www.bushmaster.com/electronic-documents/2007Catalogv1/Page40-41Schematic2007.pdf>; Last Update: unknown; Accessed on May 9,  
 2011.

DSArms\_com\_SA58\_FAL\_Spartan\_Tactical\_Rifle  
 DSArms.com, SA58 FAL Spartan Tactical Rifle .308 Caliber—  
 SA58SPNTAC; Website [Online] Available Web Site: <http://www.dsarms.com/SA58-FAL-Spartan-Tactical-Rifle-308-Caliber---SA58SPNTAC/productinfo/SA58SPNTAC/>; Last Update:  
 unknown; Accessed on Feb. 23, 2011.

Mossberg\_Owners\_Manual\_PartNo\_12173\_Rev\_H  
 Mossberg Owners Manual for 500, 835 and 590 Model Pump Action Shotguns,  
 Part No. 12173, Rev. H.

\* cited by examiner

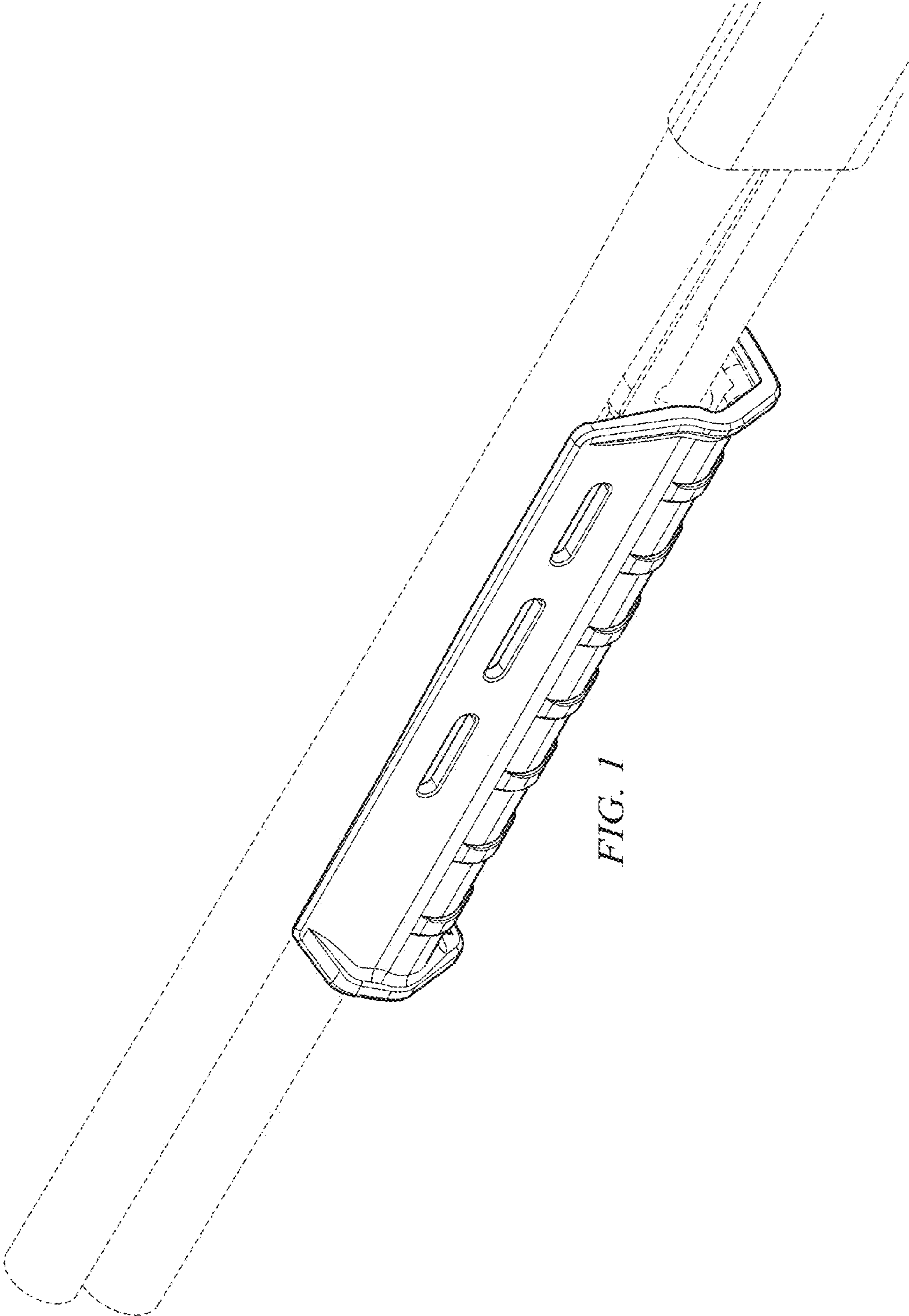


FIG. 1

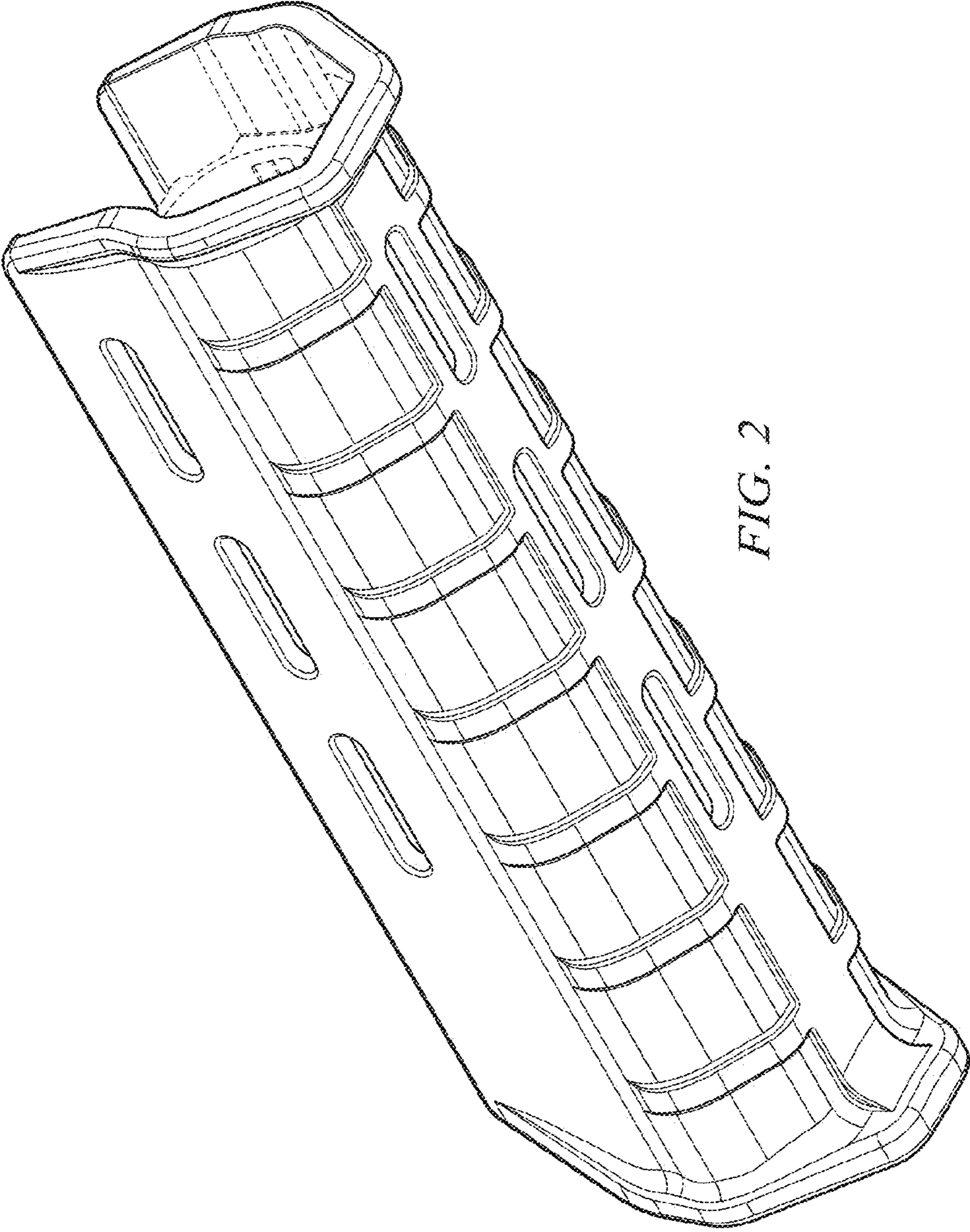


FIG. 2

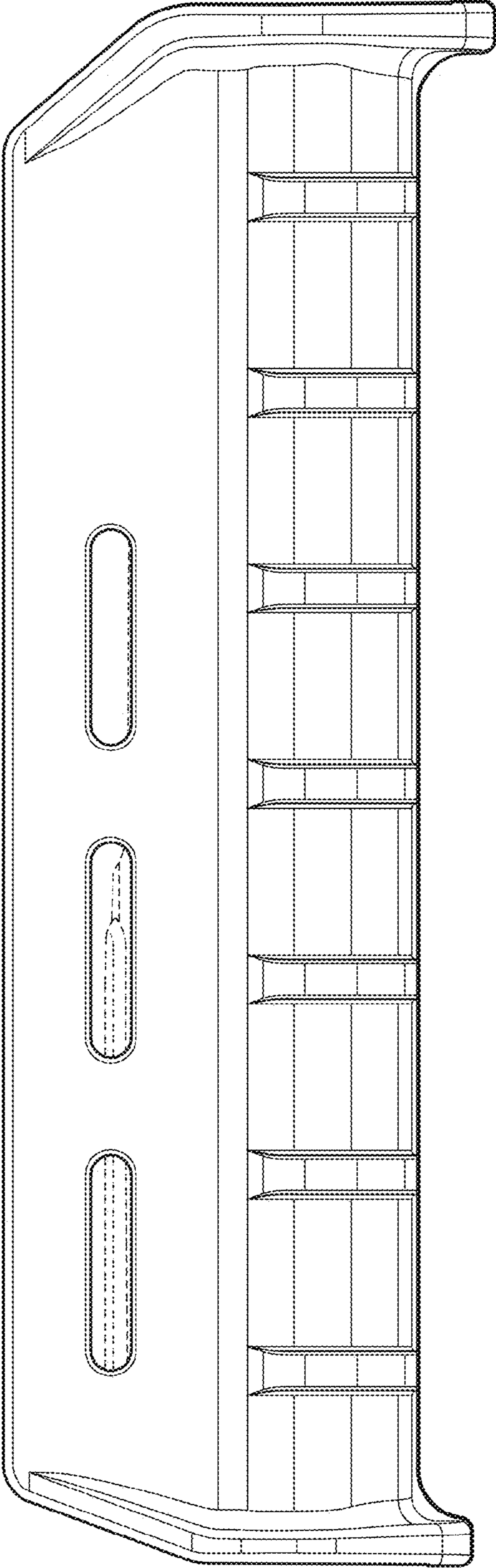


FIG. 3

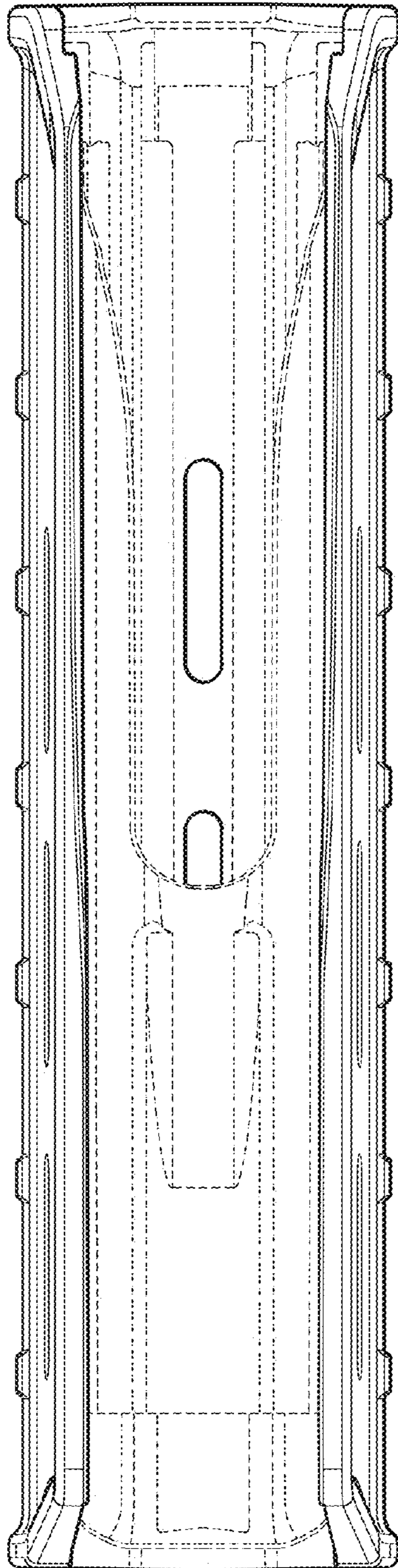


FIG. 4

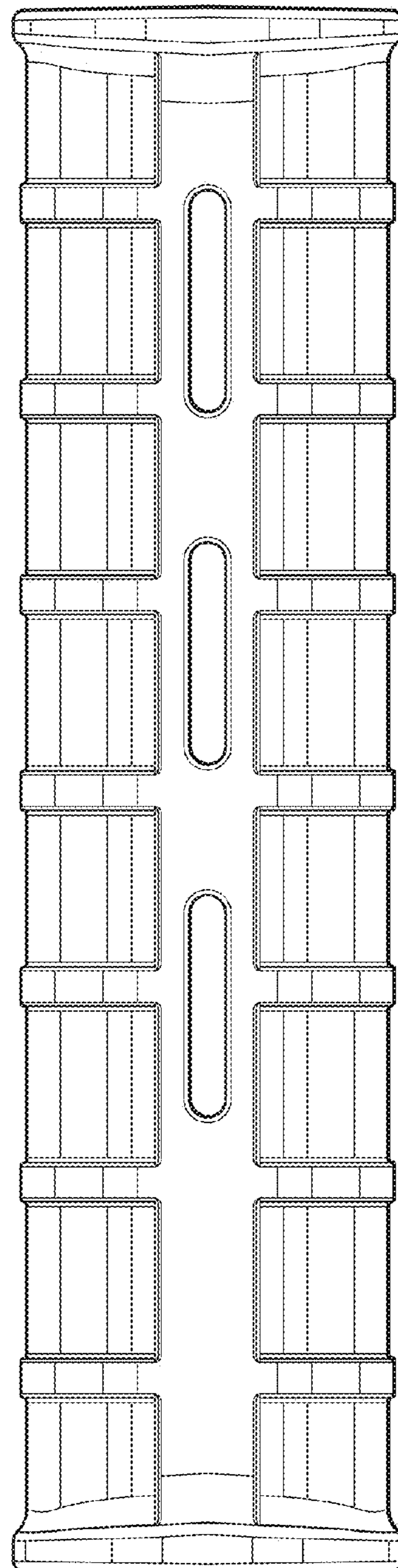


FIG. 5

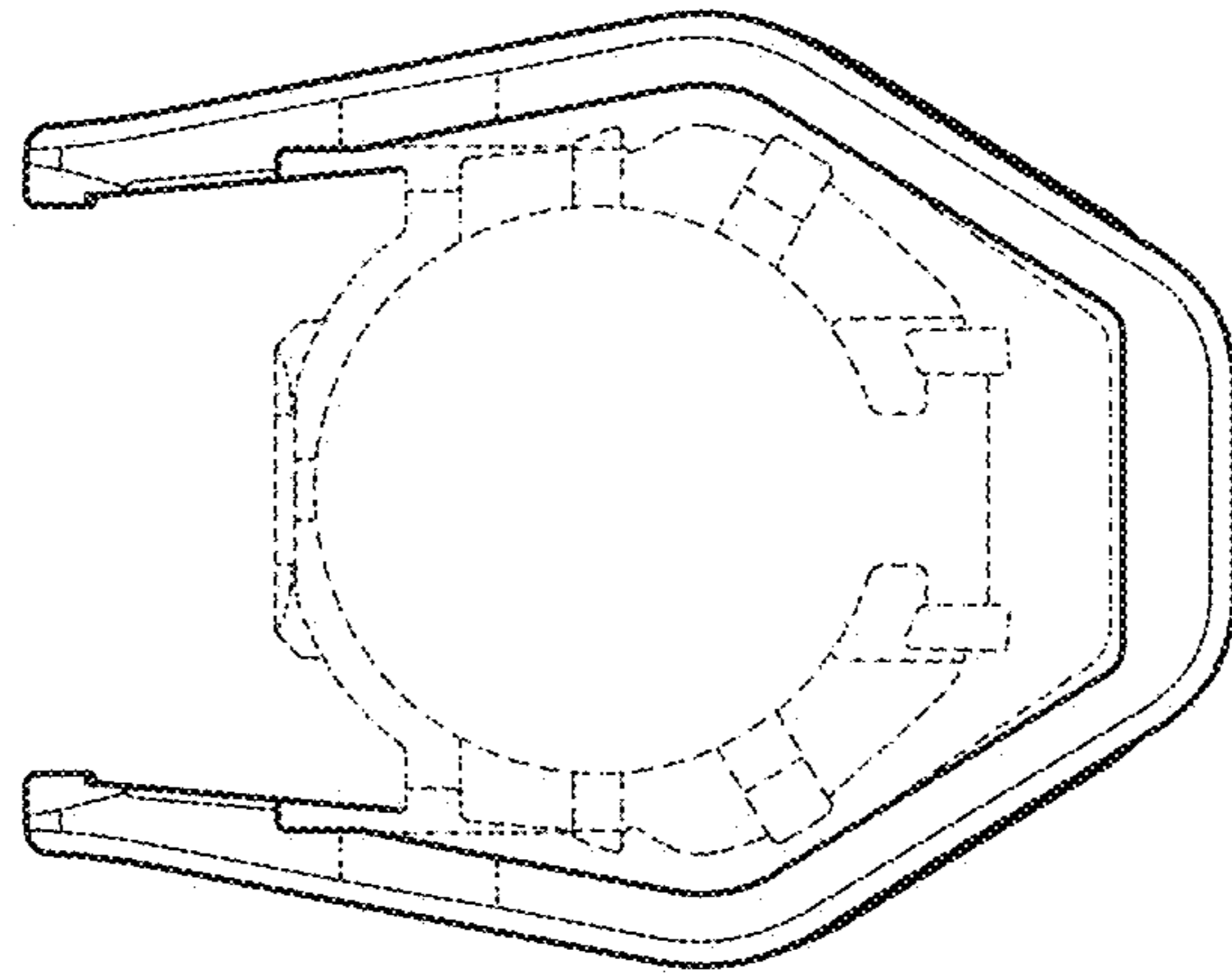


FIG. 7

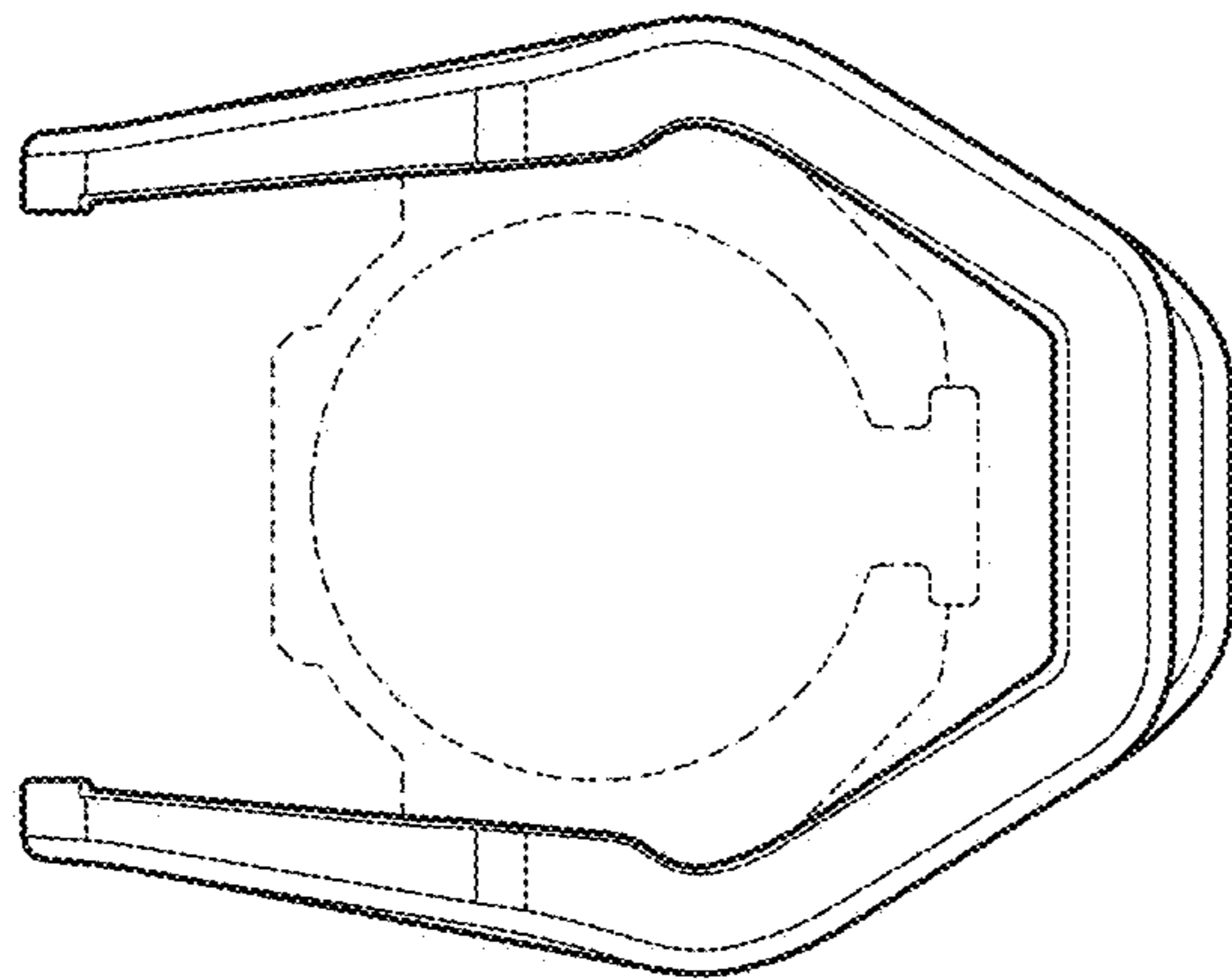


FIG. 6