



US00D718403S

(12) **United States Design Patent**  
**Jin**

(10) **Patent No.:** **US D718,403 S**  
(45) **Date of Patent:** **\*\* Nov. 25, 2014**

- (54) **TENT**
  - (71) Applicant: **Ki Ho Jin**, Goyang (KR)
  - (72) Inventor: **Ki Ho Jin**, Goyang (KR)
  - (\*\*) Term: **14 Years**
  - (21) Appl. No.: **29/476,015**
  - (22) Filed: **Dec. 10, 2013**
  - (51) **LOC (10) Cl.** ..... **21-04**
  - (52) **U.S. Cl.**  
USPC ..... **D21/837**
  - (58) **Field of Classification Search**  
USPC ..... D21/834, 837, 838, 839; D25/56;  
135/87, 115, 117, 121, 126, 138, 143,  
135/156
- See application file for complete search history.

- D444,840 S 7/2001 Glover et al.
- D457,590 S 5/2002 Olson et al.
- D470,559 S 2/2003 Funk
- D470,560 S \* 2/2003 Han ..... D21/837
- D506,240 S \* 6/2005 Tseng ..... D21/837
- 7,140,376 B2 11/2006 Zheng
- D534,614 S 1/2007 Gallaway et al.
- D562,425 S \* 2/2008 Dalland et al. .... D21/837
- D562,930 S 2/2008 Poulson et al.
- D605,308 S \* 12/2009 Combs ..... D25/56
- D605,723 S 12/2009 Rausch et al.
- D609,766 S 2/2010 Wilgus et al.
- 7,721,746 B2 5/2010 Yul et al.
- D652,885 S 1/2012 Frey
- 8,113,224 B2 2/2012 Yul et al.
- D678,451 S \* 3/2013 Jin ..... D21/837
- D687,116 S 7/2013 Jin
- D695,375 S 12/2013 Jin
- D695,376 S 12/2013 Jin
- 2007/0044827 A1 3/2007 Yul et al.

\* cited by examiner

Primary Examiner — Cynthia M Chin

(74) Attorney, Agent, or Firm — John H. Choi

(56) **References Cited**

U.S. PATENT DOCUMENTS

- 2,810,390 A 10/1957 Wallace et al.
- D208,748 S 9/1967 Kirkham
- D222,204 S 10/1971 Perry
- D224,761 S 9/1972 Pohl et al.
- 4,709,718 A 12/1987 Nichols
- D316,288 S \* 4/1991 Lynch ..... D21/837
- D324,898 S \* 3/1992 Andersen ..... D21/837
- D325,063 S 3/1992 Cantwell
- D325,239 S 4/1992 Norman
- D331,441 S 12/1992 Choi
- D332,986 S 2/1993 Choi
- 5,224,507 A \* 7/1993 Vosse ..... 135/138
- D351,011 S 9/1994 Tsai
- D358,191 S 5/1995 November
- D361,363 S \* 8/1995 Sandberg et al. .... D21/837
- D365,884 S \* 1/1996 Dennis ..... D25/56
- D370,149 S 5/1996 Stratton
- D383,187 S \* 9/1997 Dalland ..... D21/837
- D403,041 S 12/1998 Funk et al.

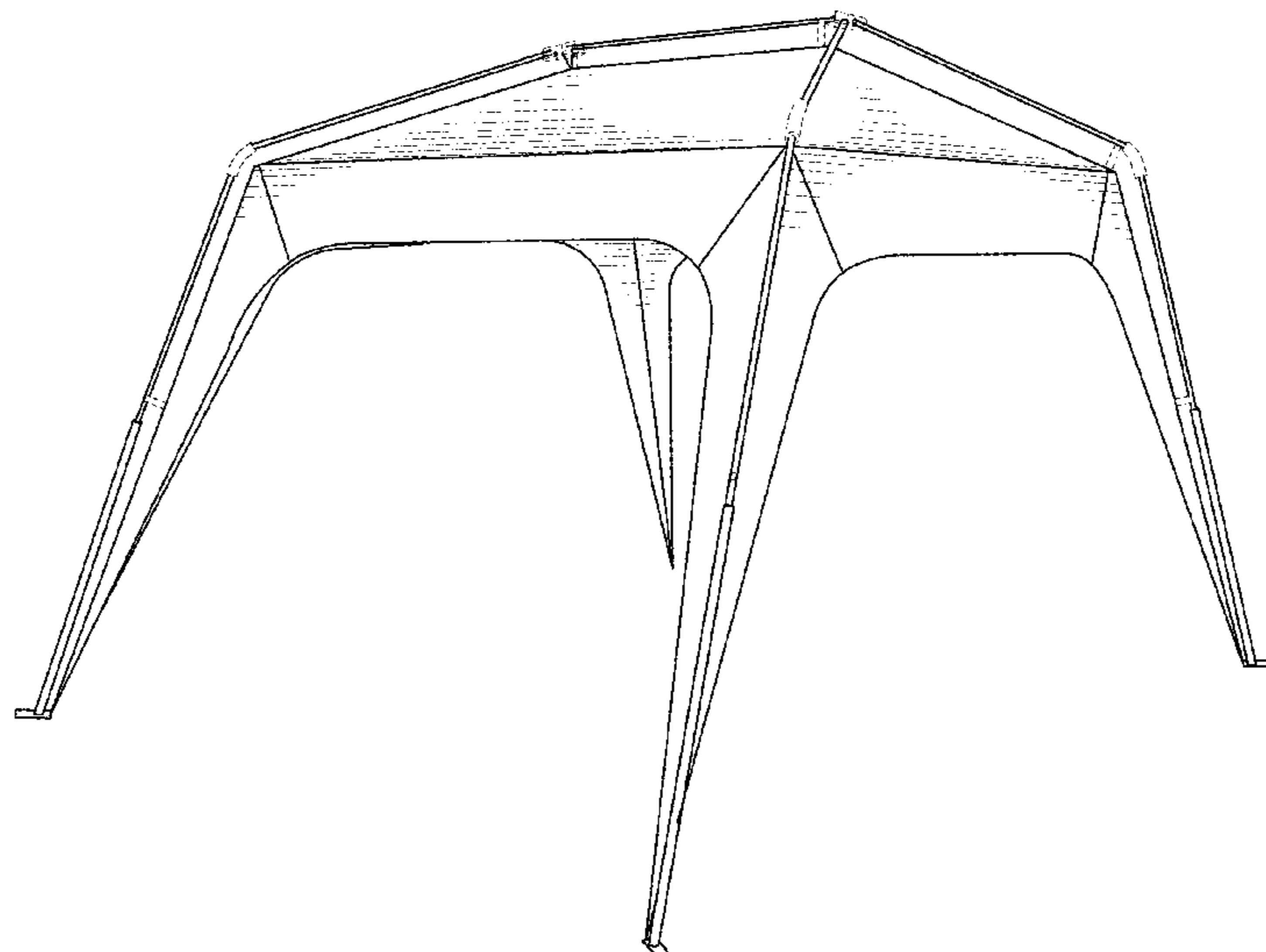
(57) **CLAIM**

The ornamental design for a tent, as shown and described.

**DESCRIPTION**

FIG. 1 is a perspective view of a tent showing my new design;  
 FIG. 2 is a top view thereof;  
 FIG. 3 is a bottom view thereof;  
 FIG. 4 is a front view thereof, the rear view thereof being a mirror image of that which is shown; and,  
 FIG. 5 is a left side view thereof, the right side view thereof being a mirror image of that which is shown.  
 The features shown in broken lines depict environmental or other associated subject matter and form no part of the claimed design.

**1 Claim, 5 Drawing Sheets**



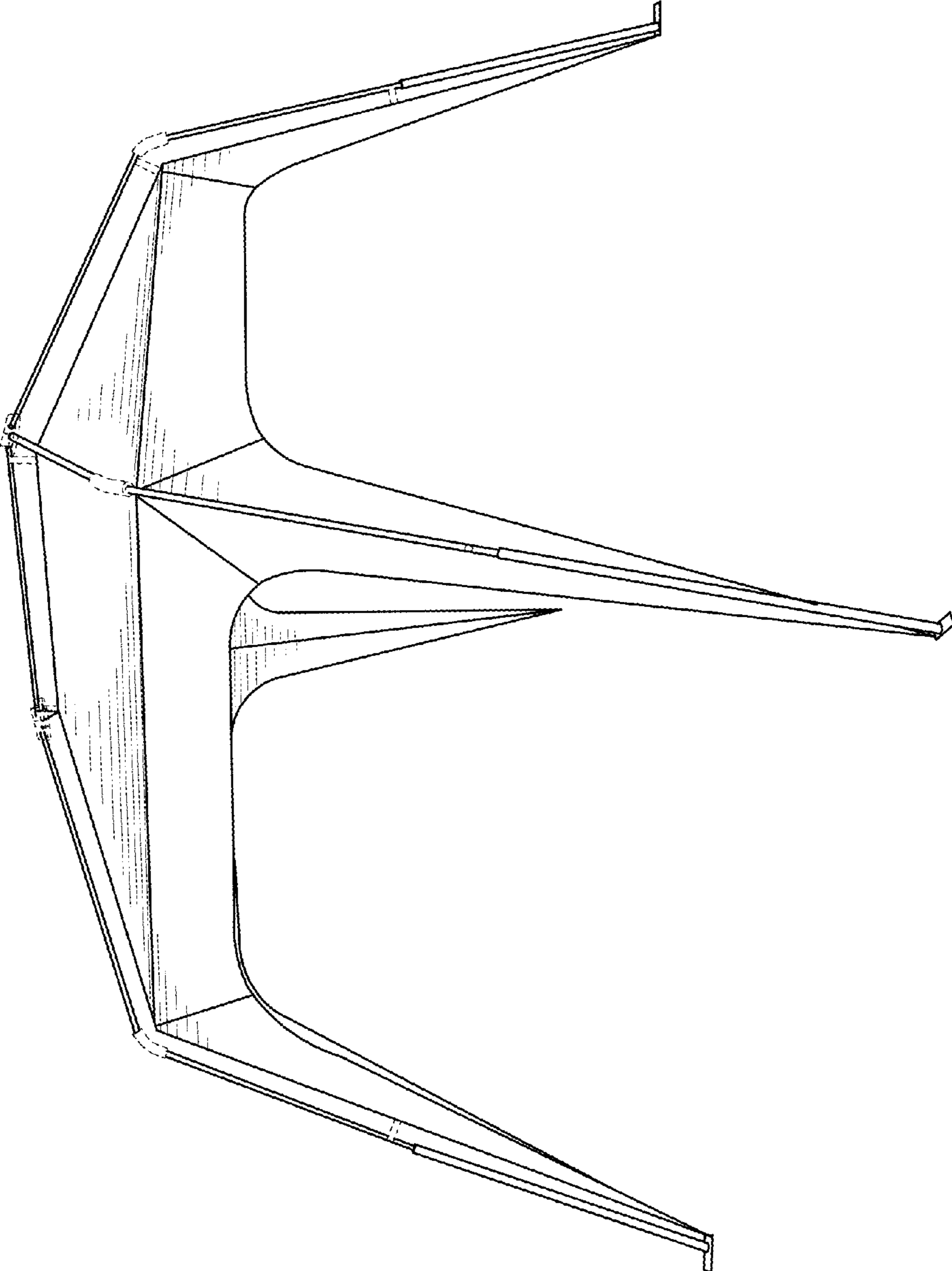


FIG. 1

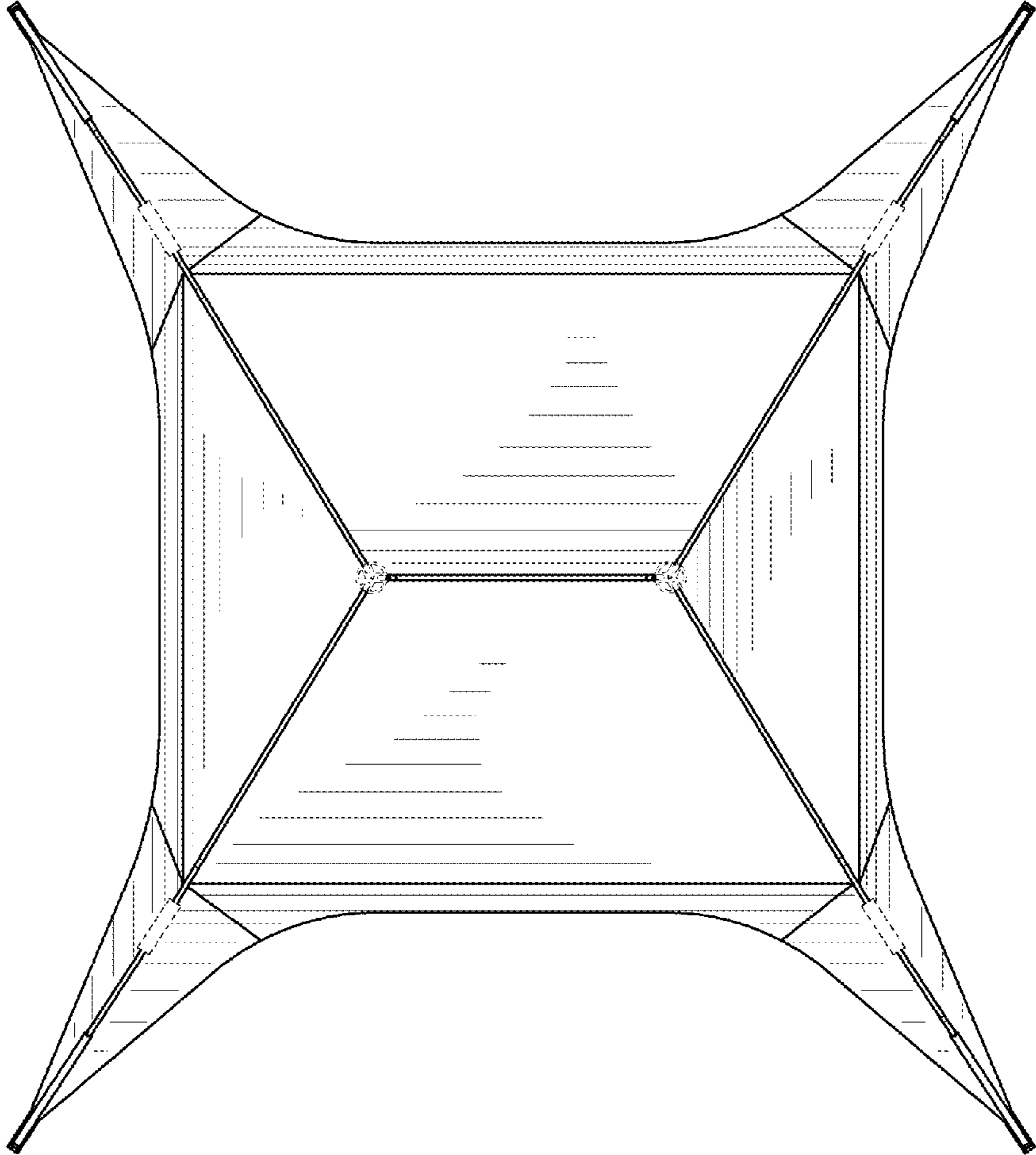


FIG. 2

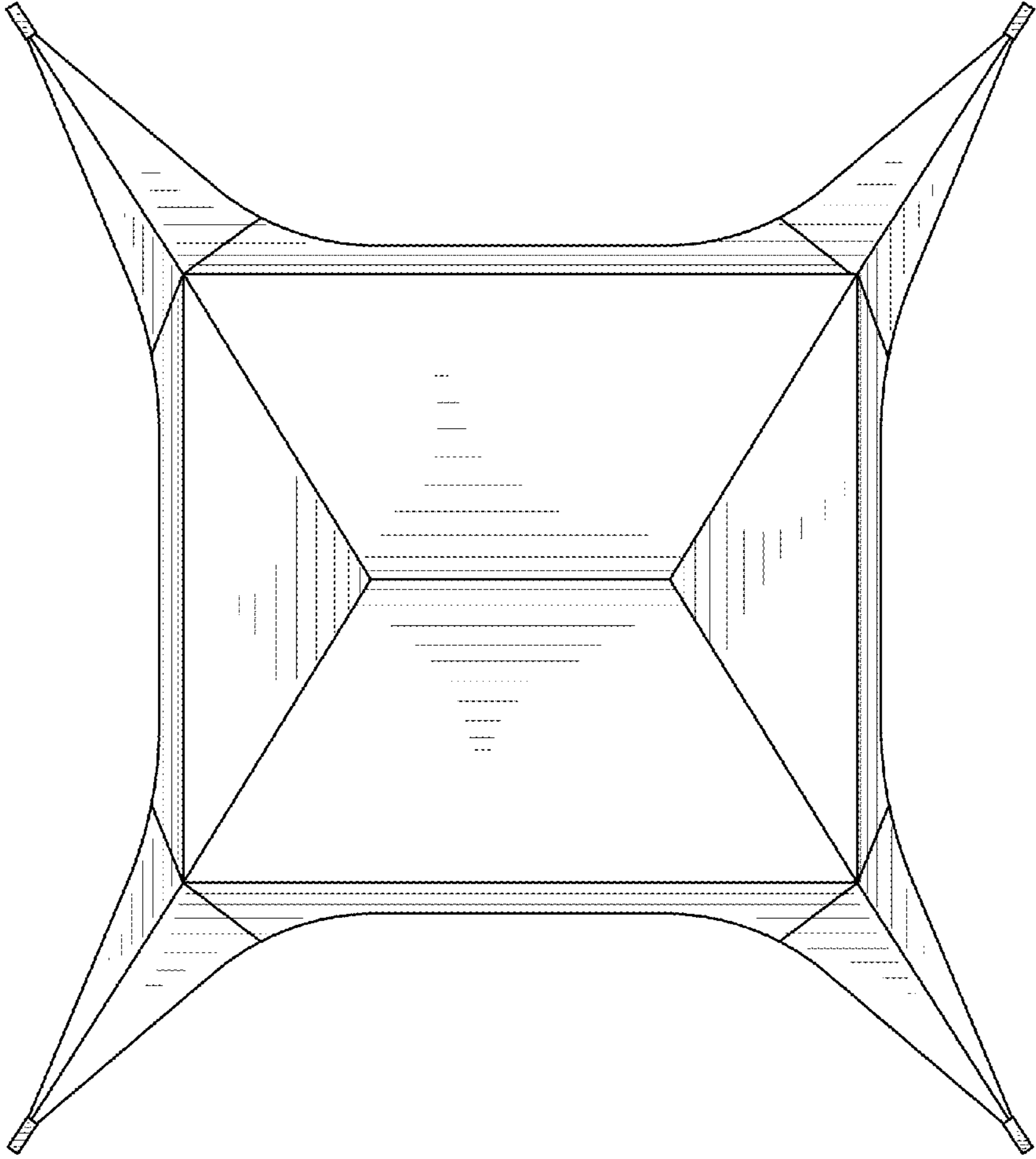


FIG. 3

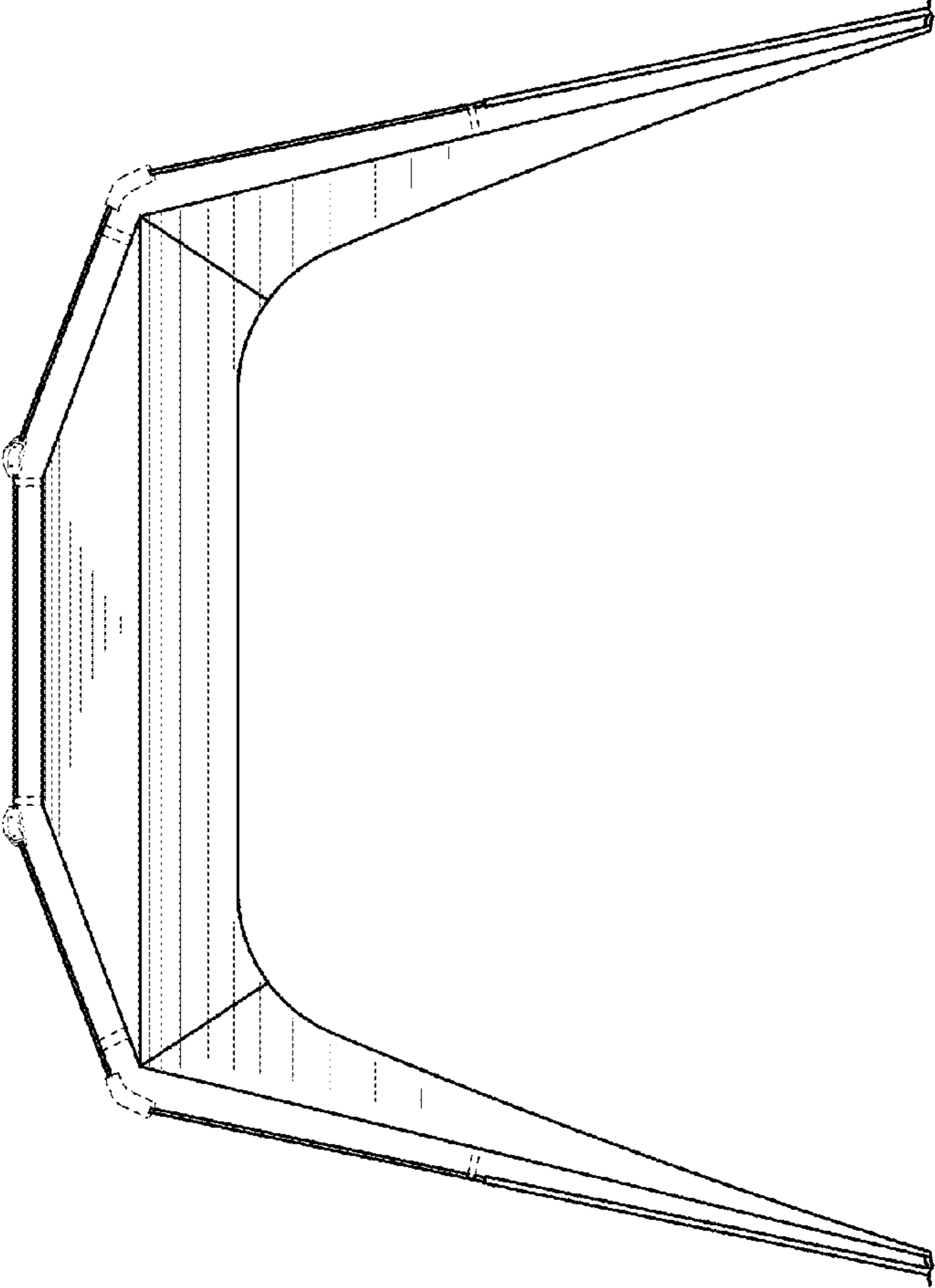


FIG. 4

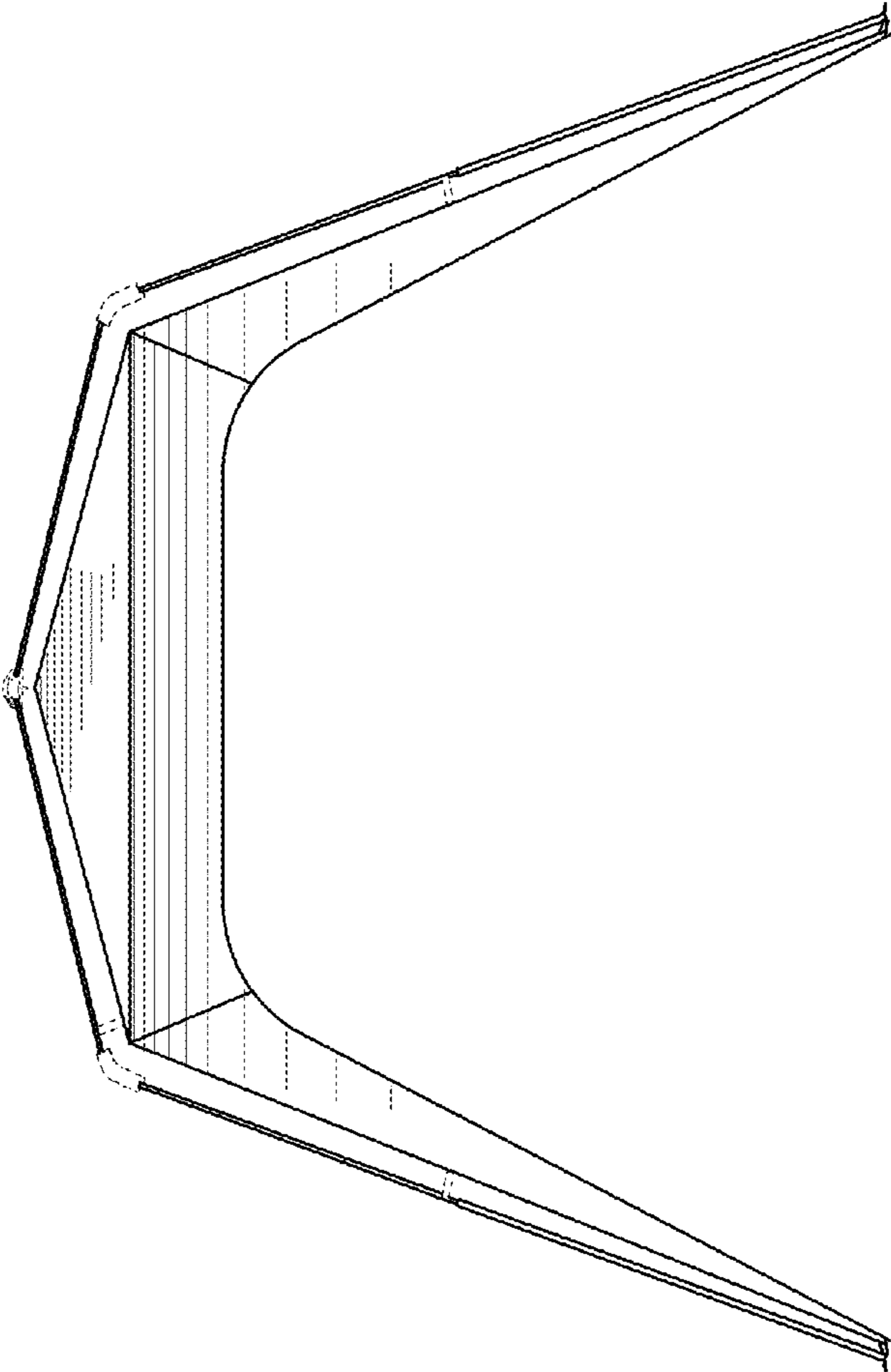


FIG. 5