



US00D718401S

(12) **United States Design Patent**
Guidici Pietro et al.

(10) **Patent No.:** **US D718,401 S**

(45) **Date of Patent:** **** Nov. 25, 2014**

(54) **BOXING PIT**

(71) Applicants: **Jason M. Guidici Pietro**, Mountainside, NJ (US); **Christopher J. Long**, Rossmoor, CA (US); **Alexander R. Kaplan**, Culver City, CA (US); **Jon T. Gieselman**, Summit, NJ (US); **Barton R. Peters**, Sherman Oaks, CA (US)

(72) Inventors: **Jason M. Guidici Pietro**, Mountainside, NJ (US); **Christopher J. Long**, Rossmoor, CA (US); **Alexander R. Kaplan**, Culver City, CA (US); **Jon T. Gieselman**, Summit, NJ (US); **Barton R. Peters**, Sherman Oaks, CA (US)

(73) Assignee: **BKB Global, LLC**, El Segundo, CA (US)

(**) Term: **14 Years**

(21) Appl. No.: **29/461,776**

(22) Filed: **Jul. 26, 2013**

(51) **LOC (10) Cl.** **21-02**

(52) **U.S. Cl.**
USPC **D21/787**

(58) **Field of Classification Search**
CPC A63C 19/005; A63C 19/00
USPC D21/302, 303, 312, 322, 338, 355, 362,
D21/390, 392, 397, 443, 698, 715, 787, 790,
D21/814, 817; D25/12, 31; 472/88-94, 136,
472/137

See application file for complete search history.

(56) **References Cited**

U.S. PATENT DOCUMENTS

D27,592 S *	8/1897	Smith	D21/338
2,119,327 A *	5/1938	Gunnarson	472/93
D130,805 S *	12/1941	Roberts	D21/715
D217,169 S *	4/1970	Allen	D21/338
3,876,197 A *	4/1975	Jenson	472/93
3,930,647 A *	1/1976	Berlemont	472/89
D246,326 S *	11/1977	Watson	D21/338

D254,018 S *	1/1980	Malm et al.	D21/301
D293,008 S *	12/1987	Muller	D21/706
5,116,045 A *	5/1992	Jahoda	472/92

(Continued)

Primary Examiner — Catherine Tuttle

(74) *Attorney, Agent, or Firm* — Dechert LLP

(57) **CLAIM**

The ornamental design for a boxing pit, as shown and described.

DESCRIPTION

FIG. 1 is a top perspective view of the boxing pit showing my new design with its moveable segments in a raised position. FIG. 2 is a front view of FIG. 1, the rear view being identical thereto.

FIG. 3 is a left view of FIG. 1, the right view being identical thereto.

FIG. 4 is a top view of FIG. 1.

FIG. 5 is a cross sectional view taken along the line 5-5 in FIG. 4.

FIG. 6 is a cross section view taken along the line 6-6 in FIG. 4.

FIG. 7 is a bottom view of FIG. 1.

FIG. 8 is a top perspective view showing the design with its moveable segments in a lowered position.

FIG. 9 is a front view of FIG. 8, the rear view being identical thereto.

FIG. 10 is a left view of FIG. 8, the right view being identical thereto.

FIG. 11 is a top view of FIG. 8; the bottom view depicting no part of the claimed design.

FIG. 12 is a cross sectional view taken along the line 12-12 in FIG. 11.

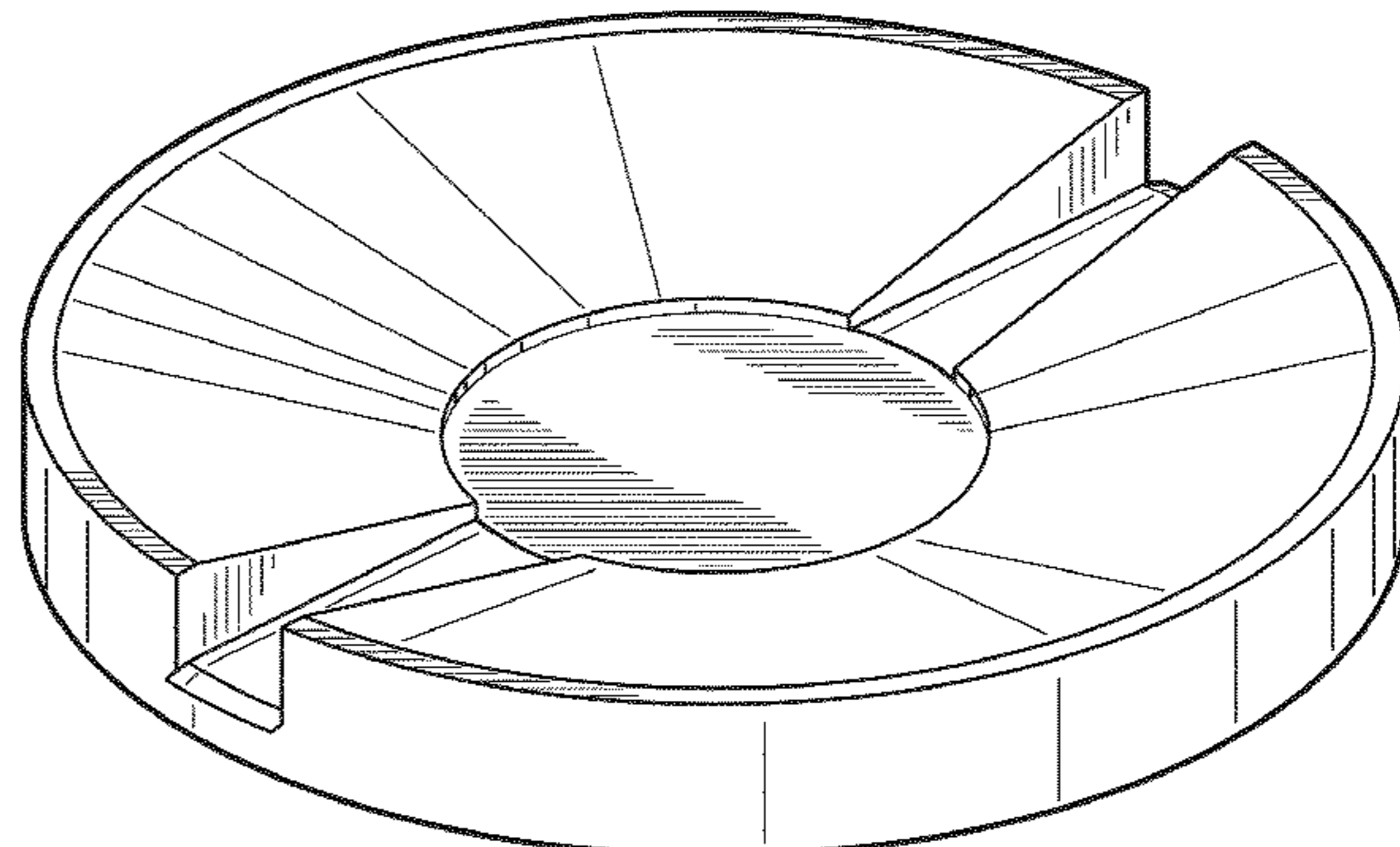
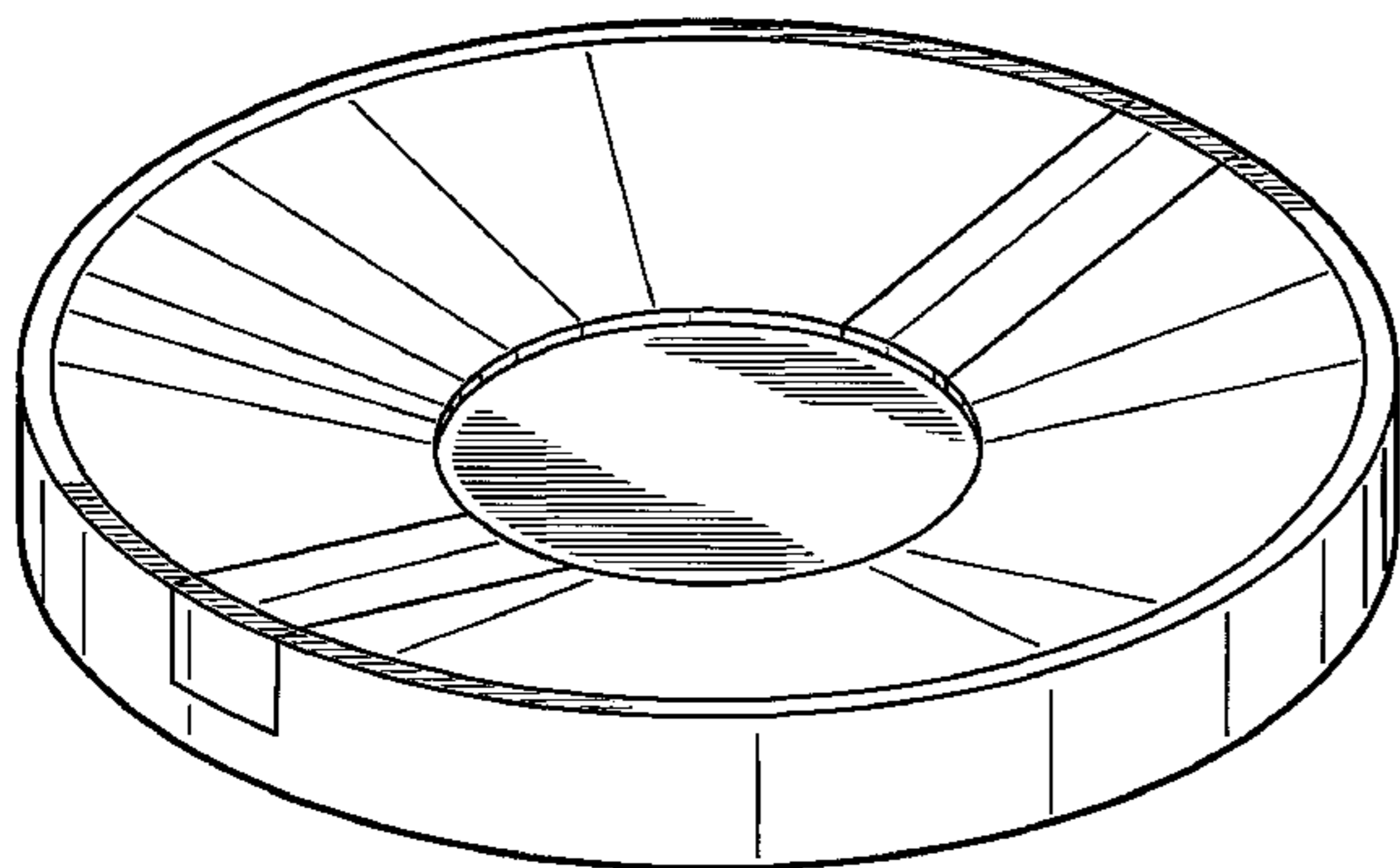
FIG. 13 is a cross sectional view taken along the line 13-13 in FIG. 11; and,

FIG. 14 is a bottom view of FIG. 8.

The broken lines in FIGS. 5-7 and 12-14 form no part of the claimed design, and are included for the purpose of encompassing the unclaimed portions of the boxing pit.

The article in which the design is embodied is intended for use in lieu of a boxing ring.

1 Claim, 6 Drawing Sheets



(56)

References Cited

U.S. PATENT DOCUMENTS

5,184,980 A * 2/1993 Ferris 472/91
5,649,865 A * 7/1997 Harvey 472/90
5,826,876 A * 10/1998 Wagner 273/244
D566,853 S * 4/2008 Norris D25/12

D591,426 S * 4/2009 Norris D25/12
7,731,594 B1 * 6/2010 Hansen 472/93
8,109,835 B2 * 2/2012 Norris 472/93
2006/0205538 A1 * 9/2006 McKey 473/415
2011/0012310 A1 * 1/2011 Anderton et al. 273/440

* cited by examiner

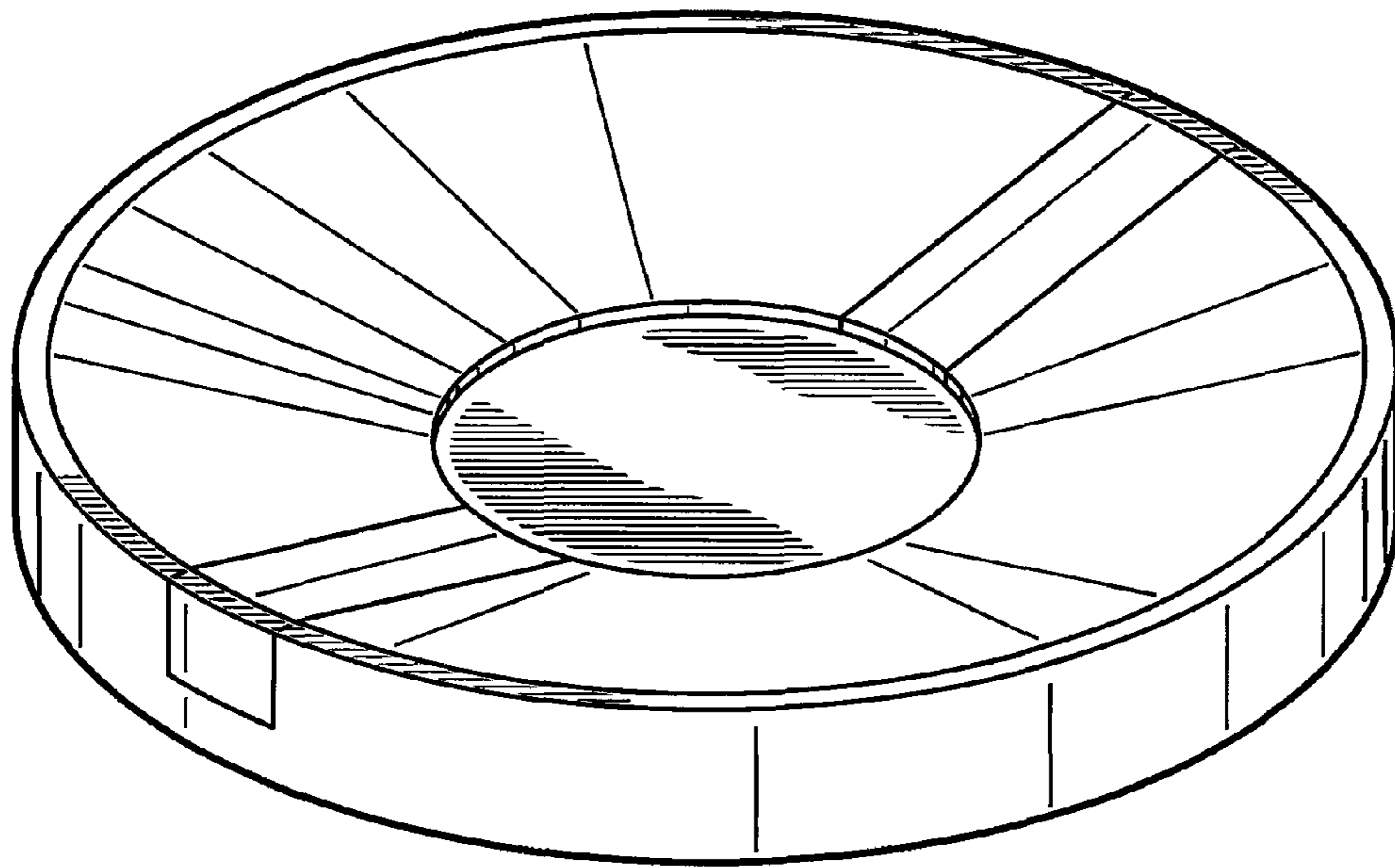


FIG. 1

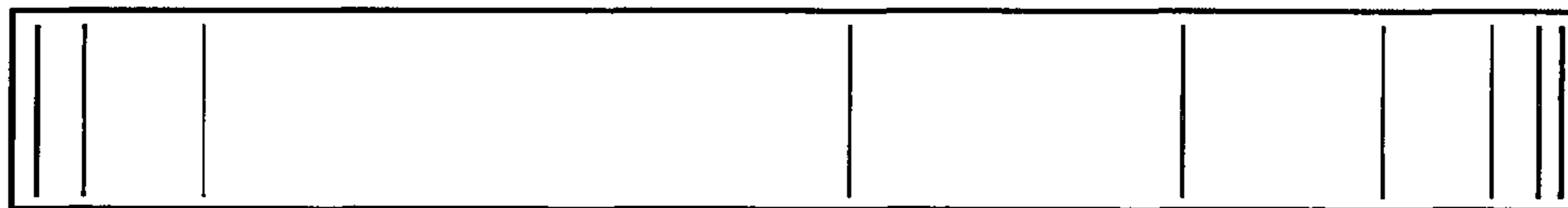


FIG. 2

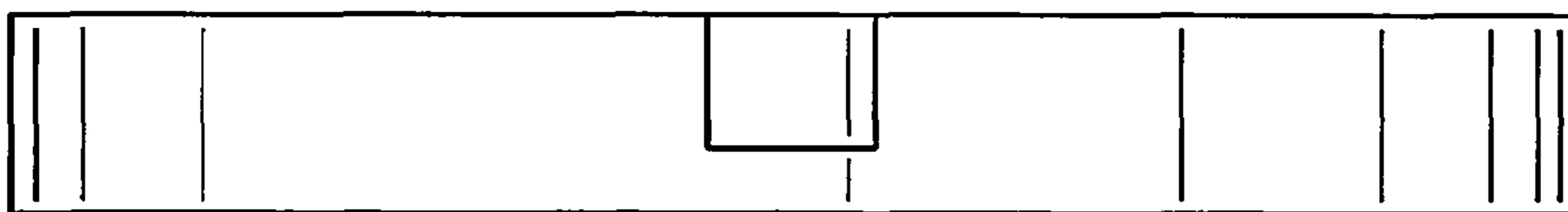


FIG. 3

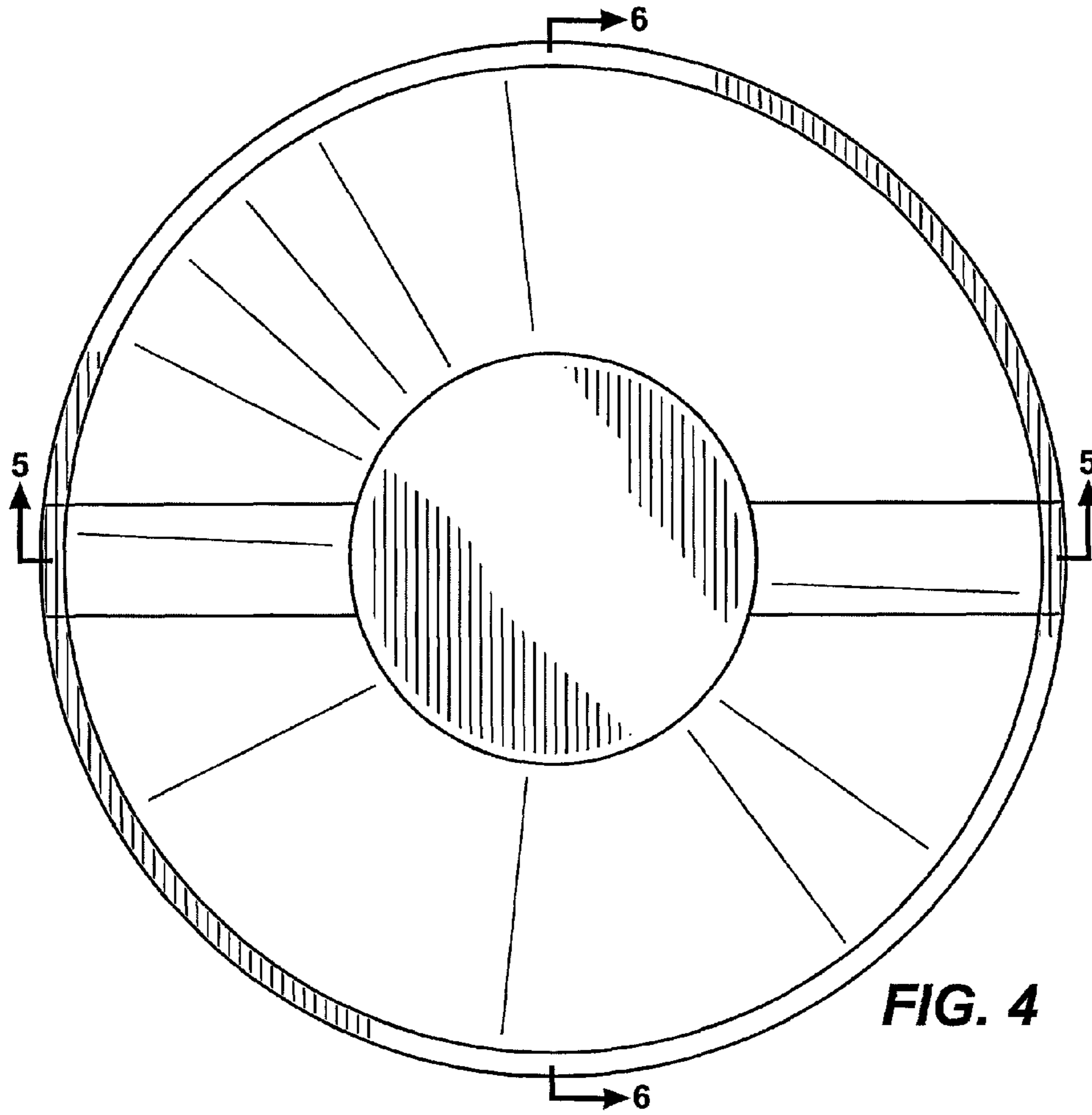


FIG. 4

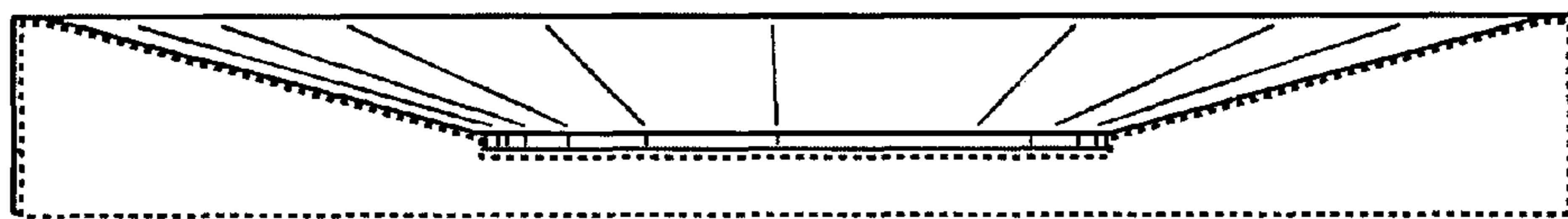


FIG. 5

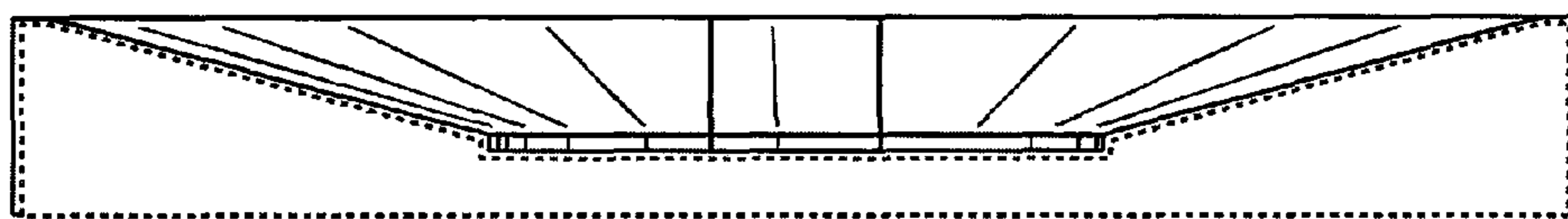


FIG. 6

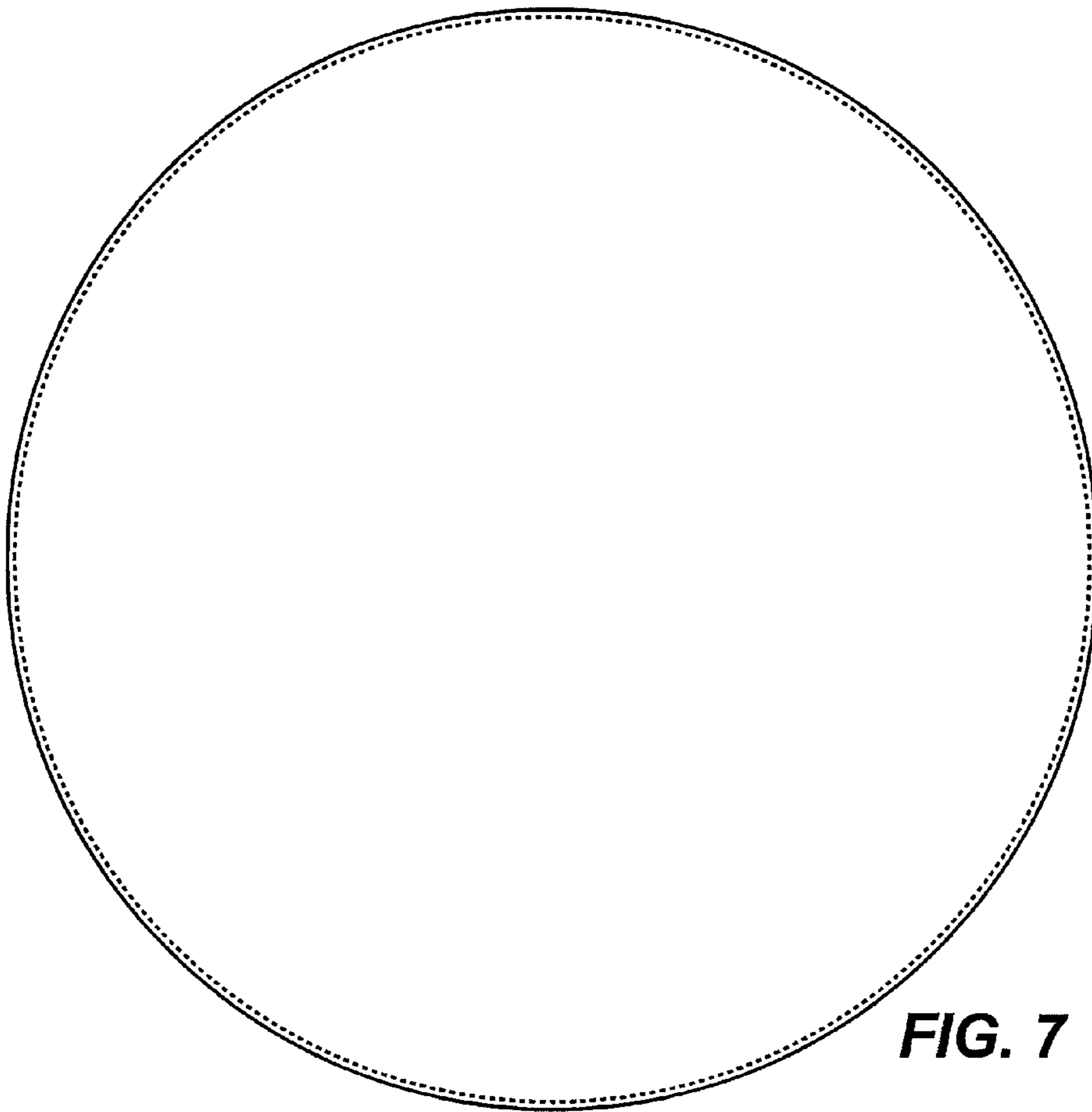


FIG. 7

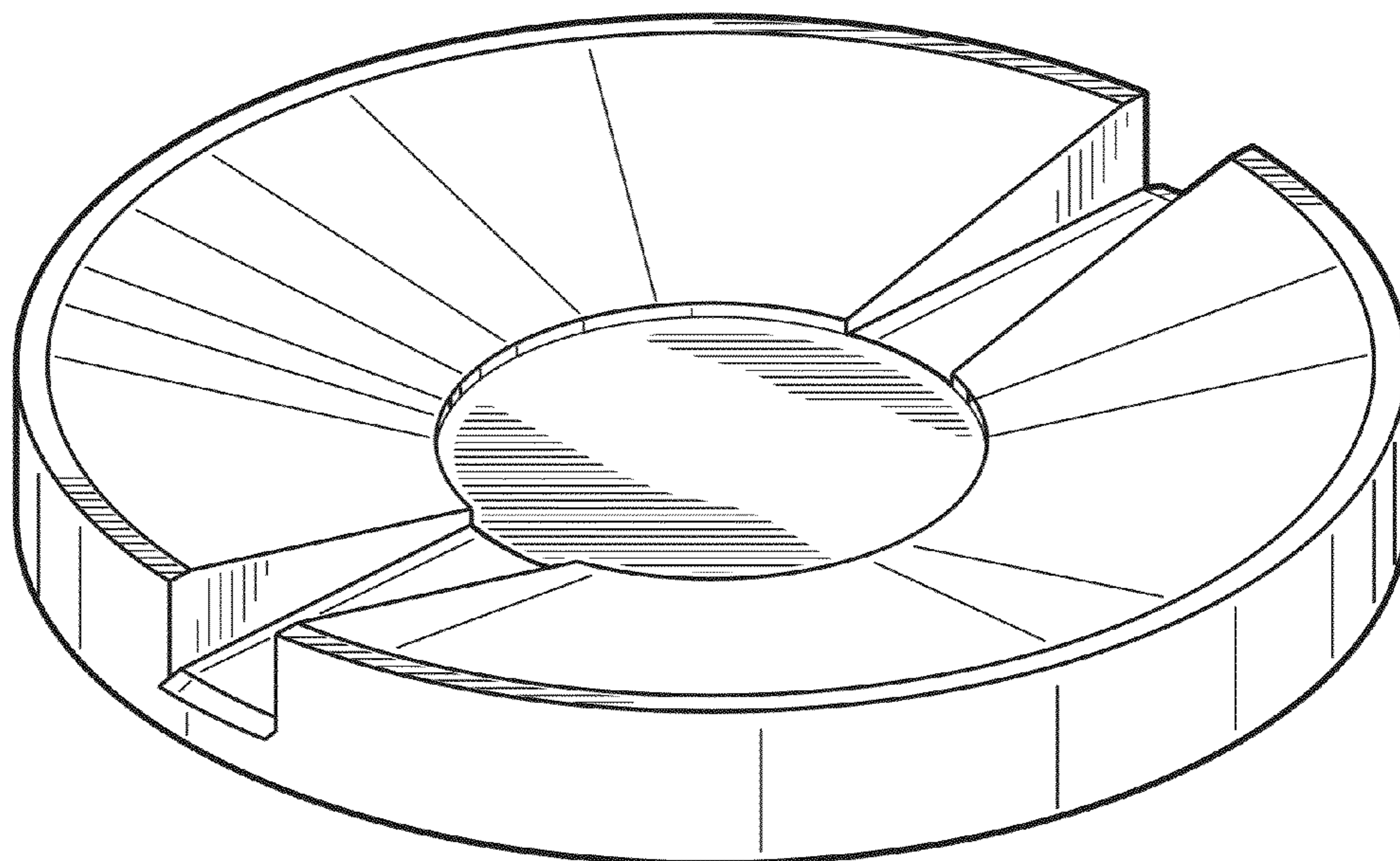


FIG. 8

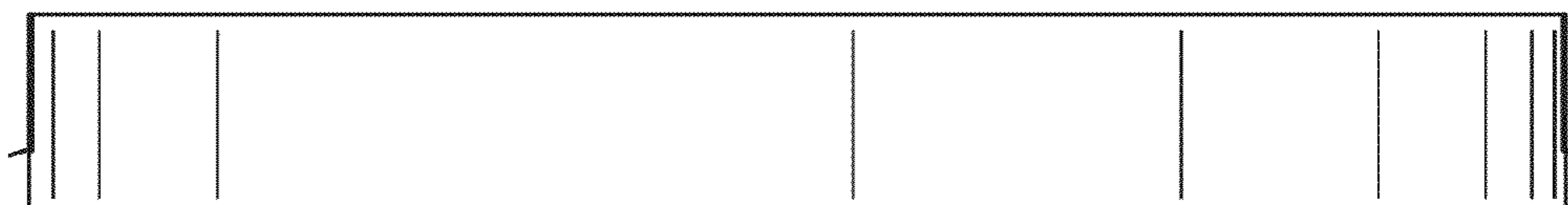


FIG. 9

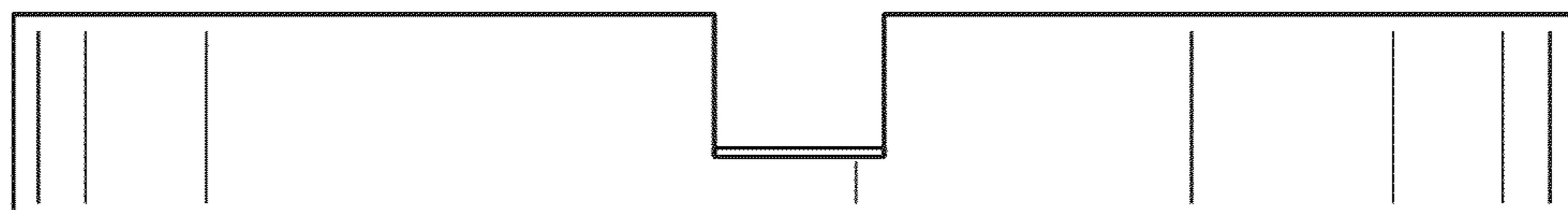


FIG. 10

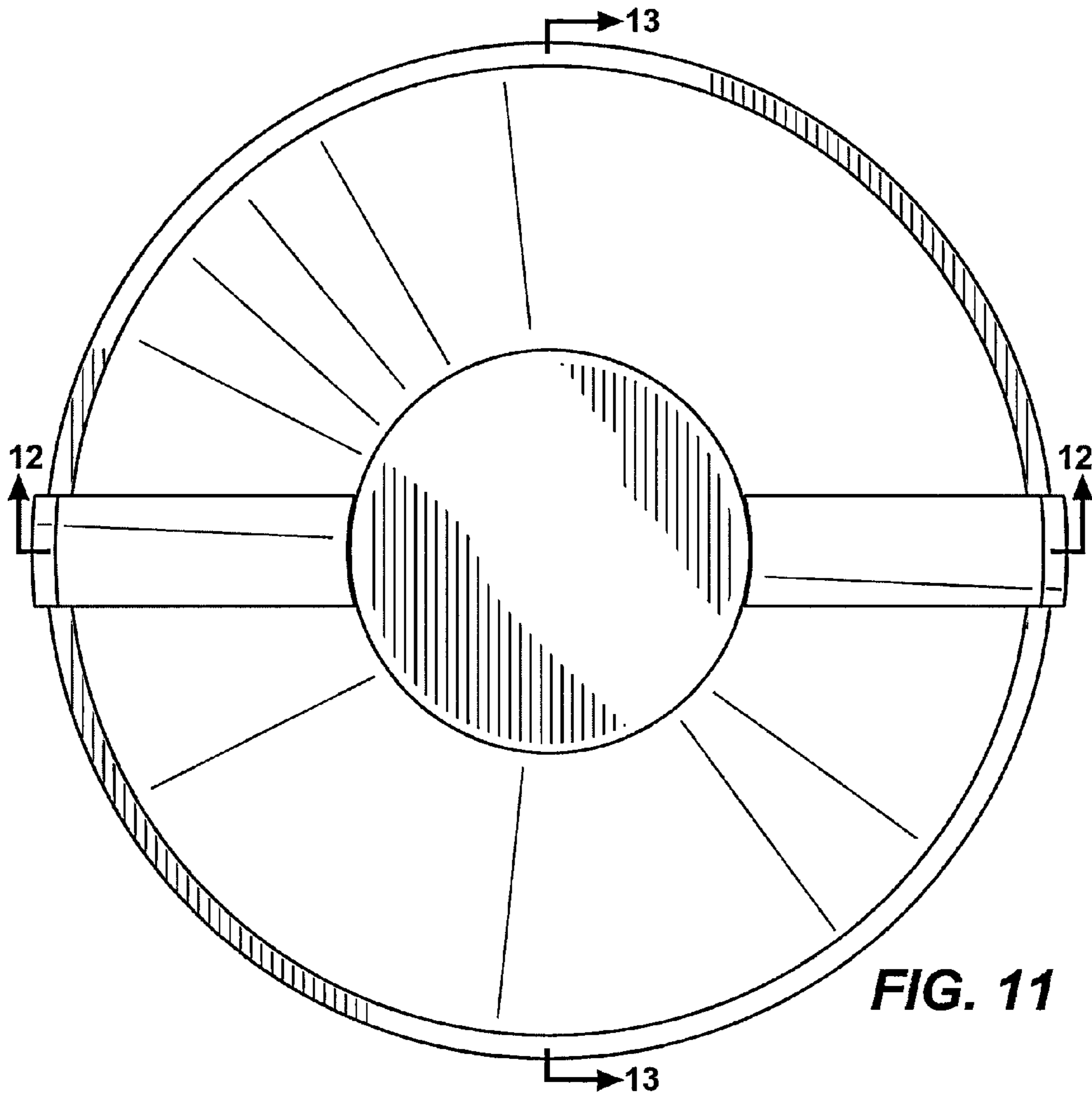


FIG. 11

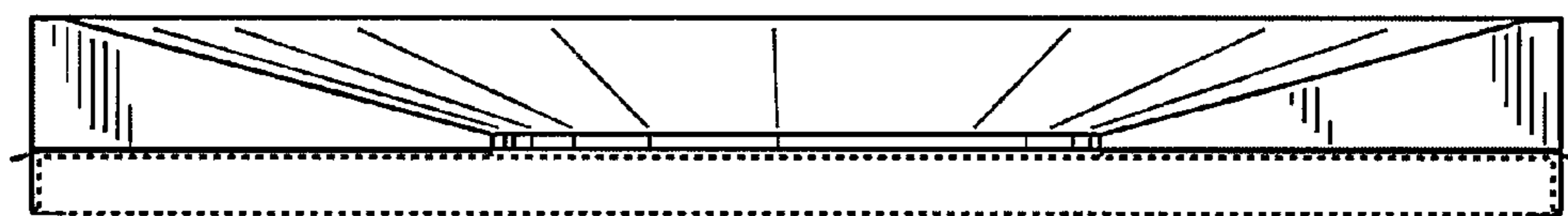


FIG. 12

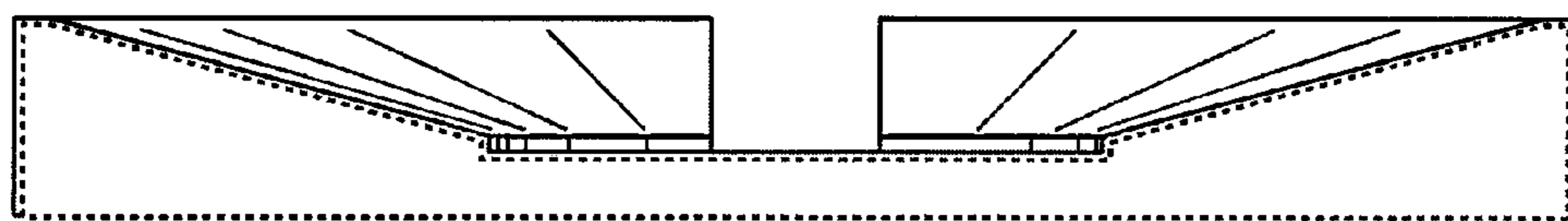


FIG. 13

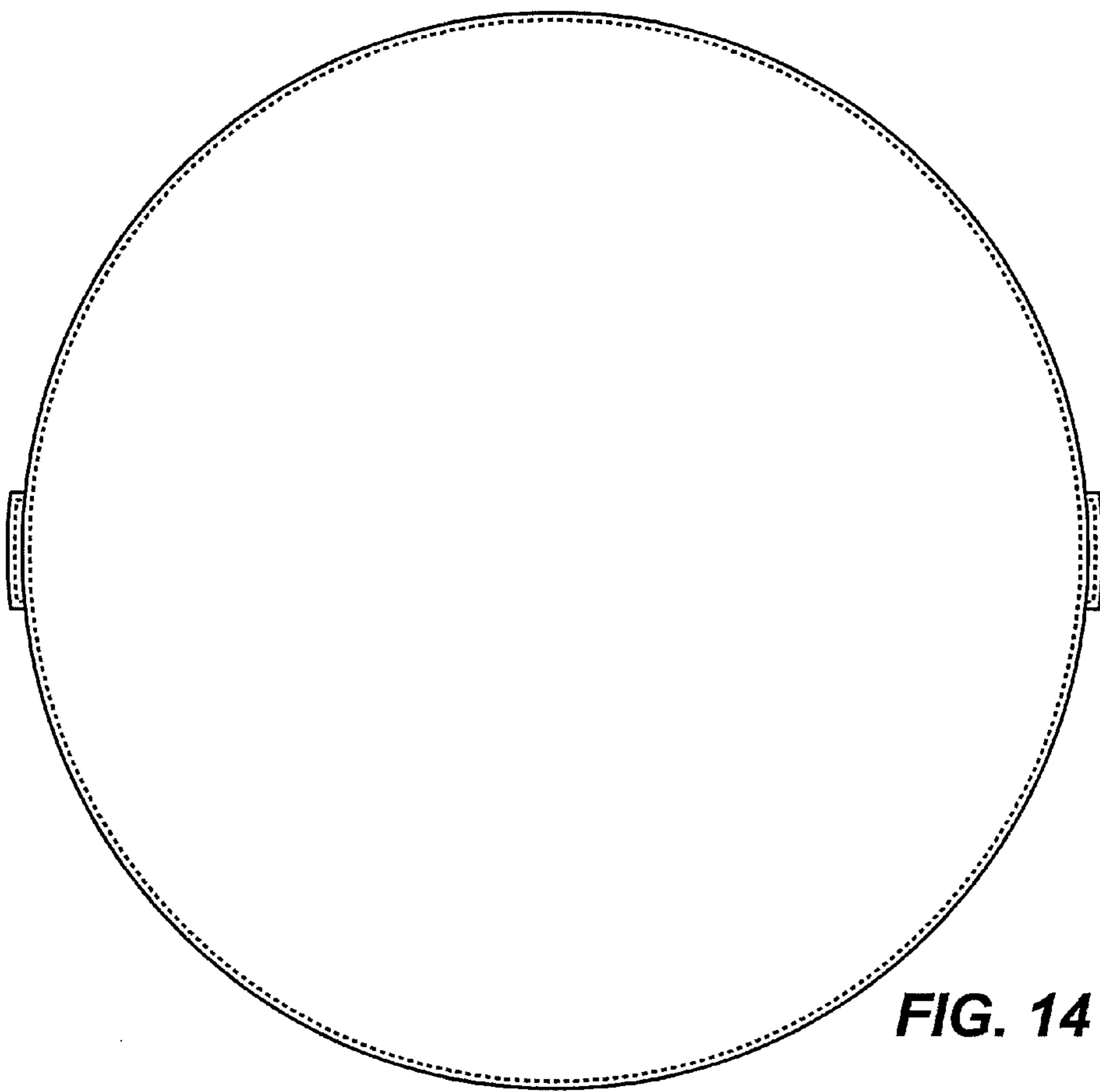


FIG. 14