



US00D718398S

(12) **United States Design Patent**  
**Nihra et al.**

(10) **Patent No.:** **US D718,398 S**

(45) **Date of Patent:** **\*\* Nov. 25, 2014**

(54) **GOLF BALL RETRIEVER**

(71) Applicants: **Thomas E. Nihra**, Oldsmar, FL (US);  
**Deni H. Nihra**, Oldsmar, FL (US)

(72) Inventors: **Thomas E. Nihra**, Oldsmar, FL (US);  
**Deni H. Nihra**, Oldsmar, FL (US)

(\*\*) Term: **14 Years**

(21) Appl. No.: **29/464,595**

(22) Filed: **Aug. 19, 2013**

**Related U.S. Application Data**

(63) Continuation-in-part of application No. 13/790,738,  
filed on Mar. 8, 2013.

(51) **LOC (10) Cl.** ..... **21-01**

(52) **U.S. Cl.**  
USPC ..... **D21/721**

(58) **Field of Classification Search**  
USPC ..... D21/721, 789, 793, 796; D8/14, 28,  
D8/71-73; 473/286, 460, 503, 517, 569;  
294/19.2  
See application file for complete search history.

(56) **References Cited**

**U.S. PATENT DOCUMENTS**

3,049,352	A *	8/1962	Hancock	473/514
3,547,477	A *	12/1970	Young	294/19.2
3,770,308	A *	11/1973	Faber et al.	294/19.2
3,887,225	A *	6/1975	McKee	294/19.2
D306,058	S *	2/1990	Blake	D21/721

5,265,926	A	11/1993	DiNardo	
D349,739	S *	8/1994	Kahl, Jr.	D21/721
5,437,487	A *	8/1995	Fulop	294/19.2
5,908,214	A *	6/1999	Dinardo	294/19.2
D479,650	S *	9/2003	Kan	D3/257
6,824,179	B1 *	11/2004	Shelato	294/19.2
6,962,536	B2 *	11/2005	Hall et al.	473/282
D592,725	S *	5/2009	Trudeau	D21/796
2006/0229145	A1 *	10/2006	Dempsey	473/408
2008/0096685	A1 *	4/2008	Dempsey	473/286
2013/0072318	A1 *	3/2013	Brewer	473/286

\* cited by examiner

*Primary Examiner* — Catherine Tuttle

(74) *Attorney, Agent, or Firm* — Waters & Oppenhuizen  
PLC; David L. Oppenhuizen

(57) **CLAIM**

The ornamental design for a golf ball retriever, as shown and described.

**DESCRIPTION**

FIG. 1 is a perspective view of a golf ball retriever showing the new design;

FIG. 2 is an enlarged scale rear view of the upper portion of FIG. 1, rotated 90° from FIG. 1;

FIG. 3 is a side view thereof, as seen from the right of FIG. 1;

FIG. 4 is a front view thereof;

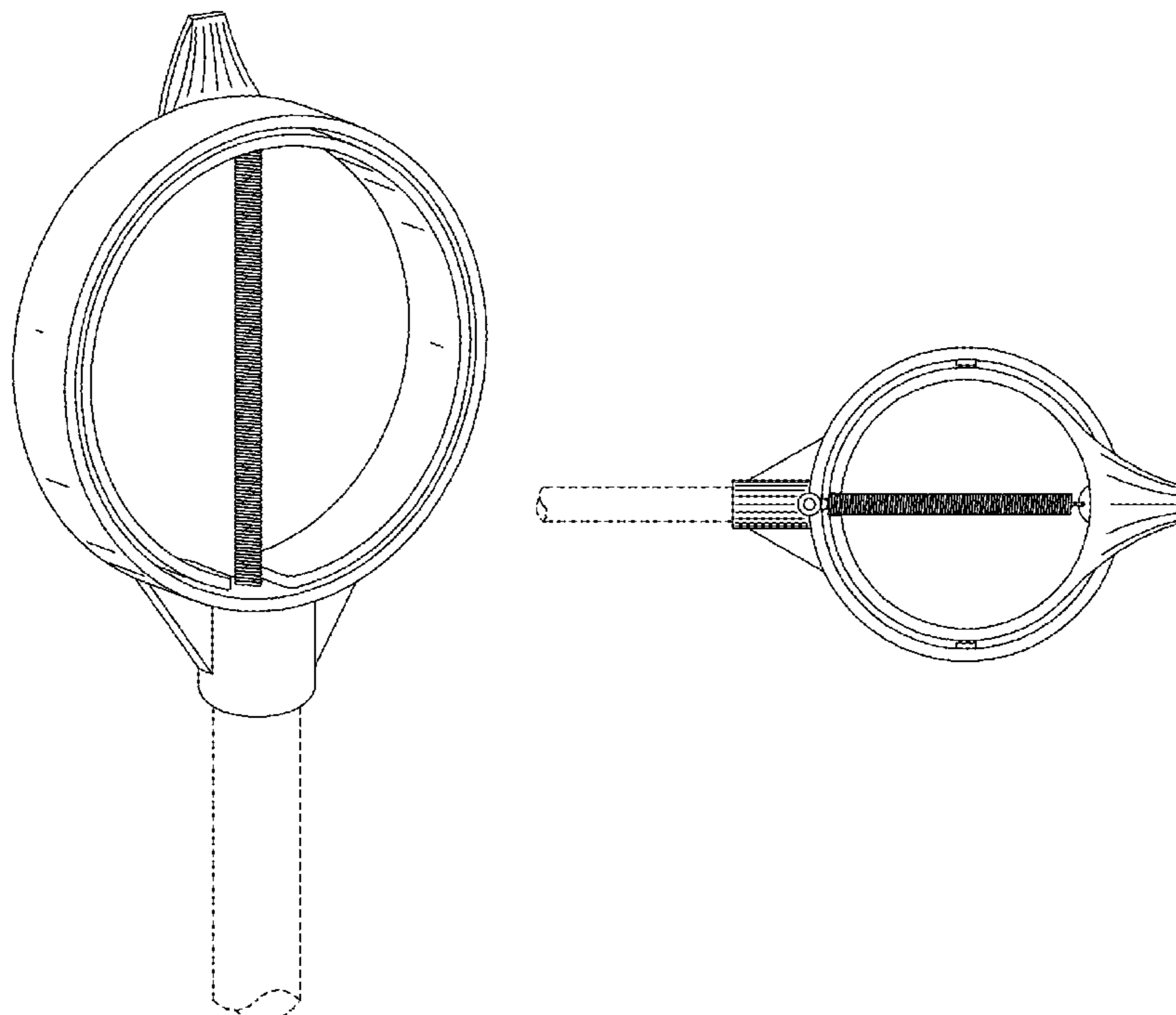
FIG. 5 is the side view opposite to FIG. 3;

FIG. 6 is an end view thereof, as seen from the top of FIG. 1; and,

FIG. 7 is the end view opposite to FIG. 6.

The broken lines shown in the drawings are for illustrative purposes only and form no part of the claimed design.

**1 Claim, 3 Drawing Sheets**



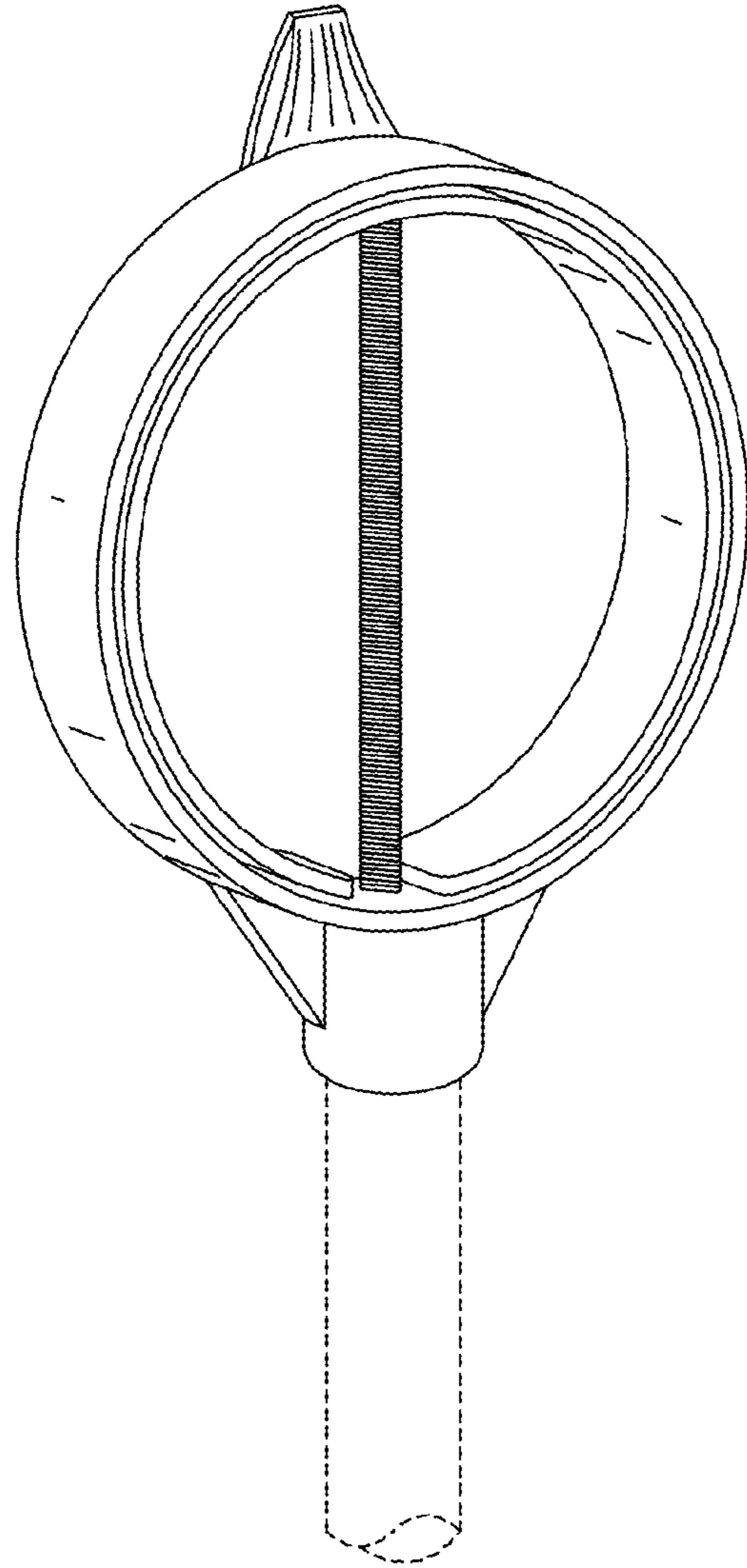


FIG. 1

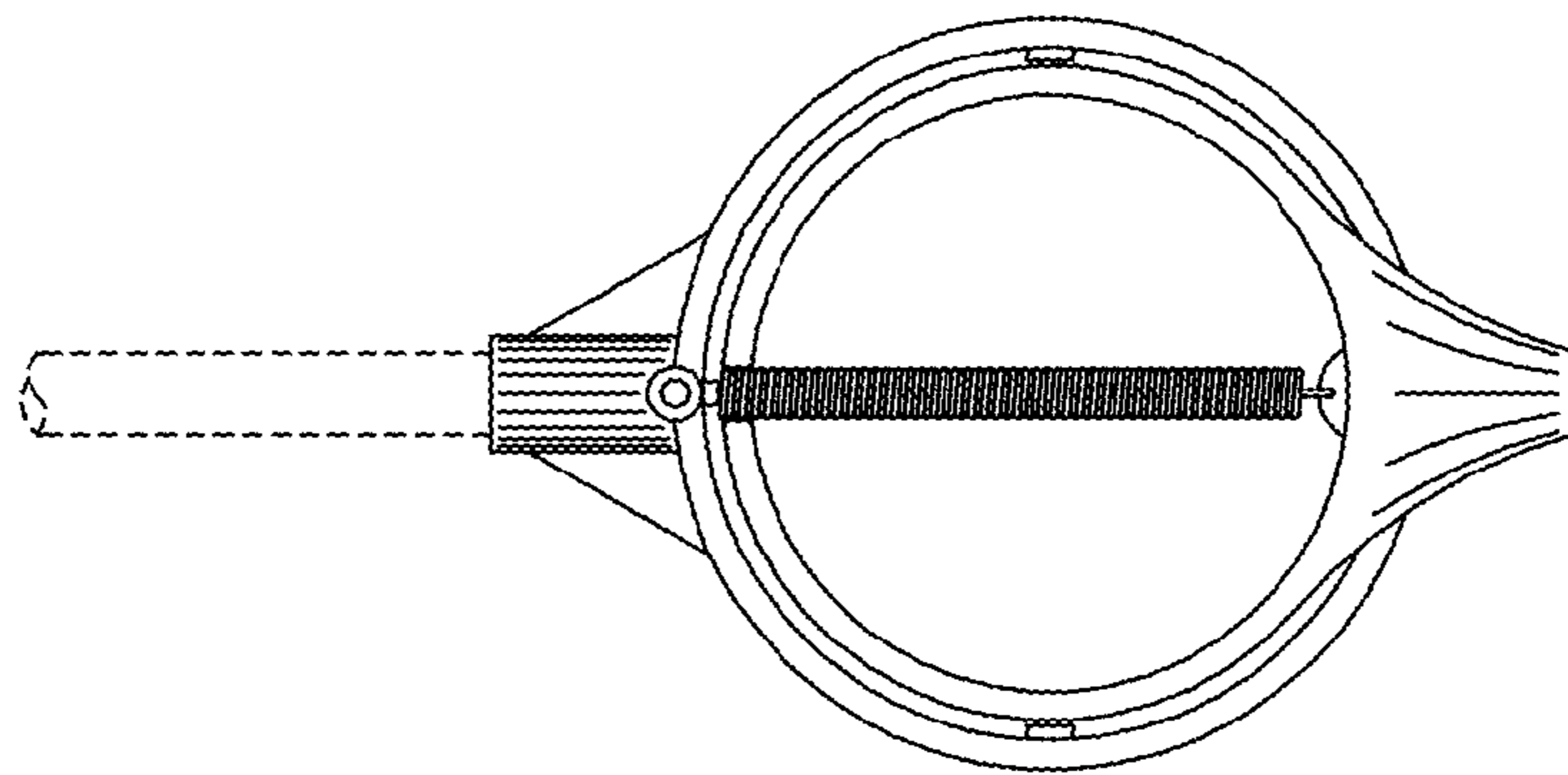


FIG. 2

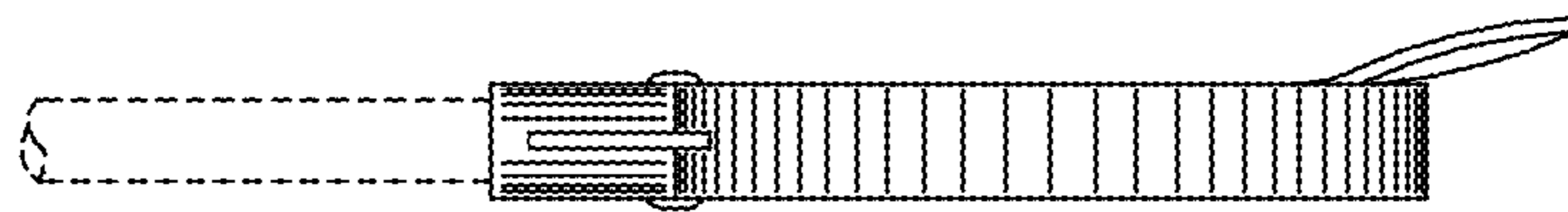


FIG. 3

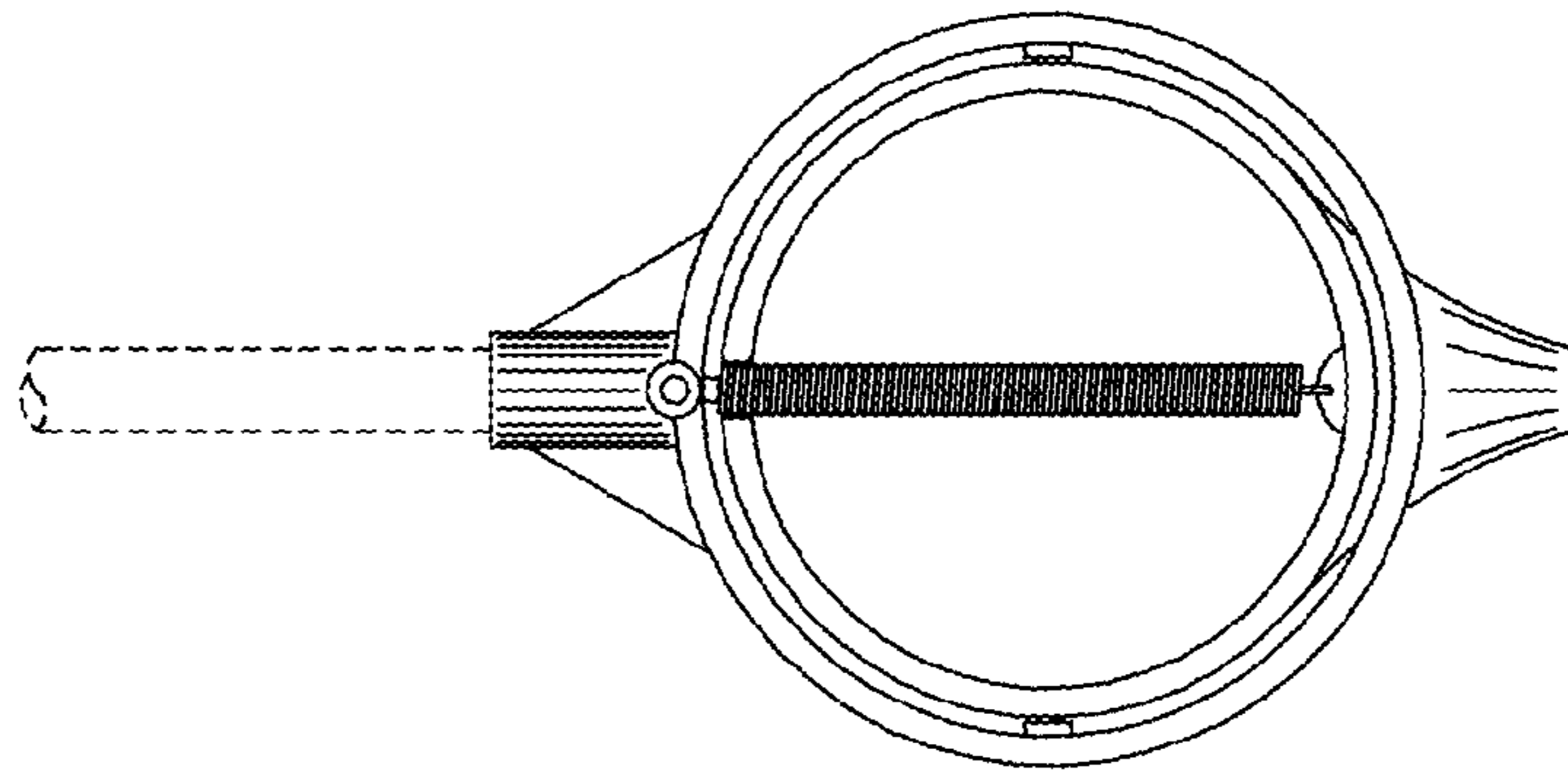


FIG. 4

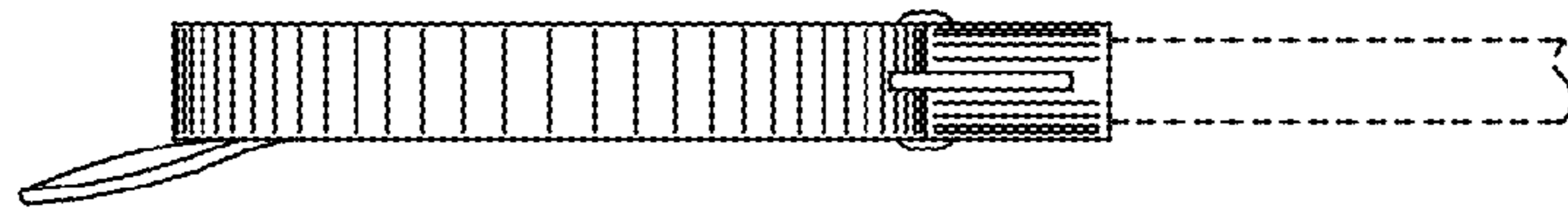


FIG. 5

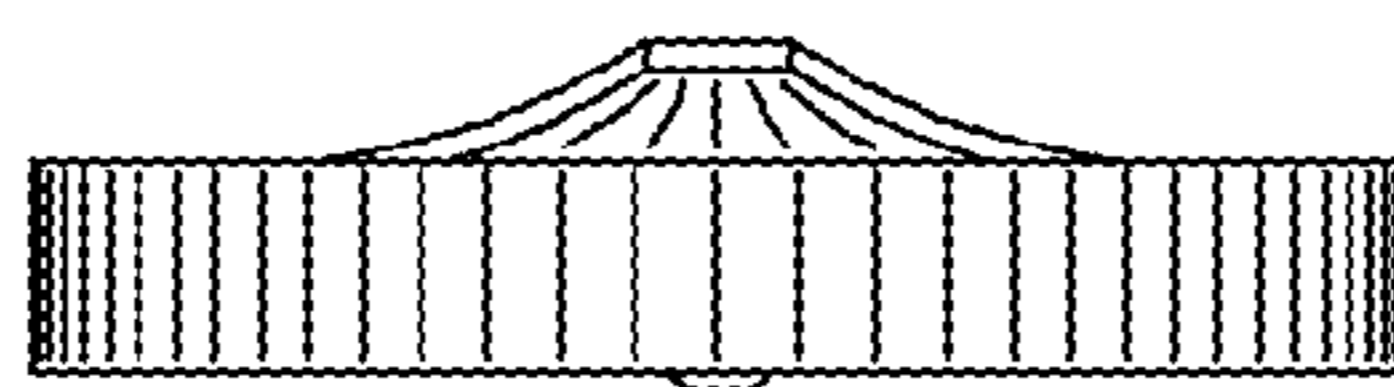


FIG. 6

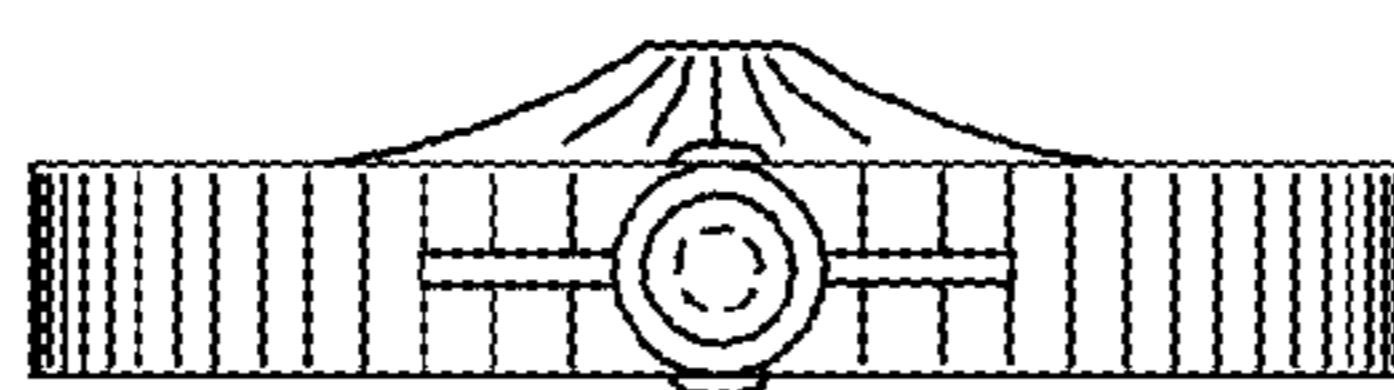


FIG. 7