



US00D718395S

(12) **United States Design Patent**
Edwards

(10) **Patent No.:** **US D718,395 S**

(45) **Date of Patent:** **** Nov. 25, 2014**

(54) **TOY ROLLERCOASTER TRACK SECTION**

(71) Applicant: **Protocad Corp.**, La Plata, MD (US)

(72) Inventor: **Brian D. Edwards**, La Plata, MD (US)

(73) Assignee: **Protocad Corp.**, La Plata, MD (US)

(**) Term: **14 Years**

(21) Appl. No.: **29/466,995**

(22) Filed: **Sep. 13, 2013**

(51) **LOC (10) Cl.** **21-01**

(52) **U.S. Cl.**
USPC **D21/565**

(58) **Field of Classification Search**

CPC A63H 19/24; A63H 19/28; A63H 19/30;
A63H 19/32; A63H 19/36; A63H 21/00;
A63H 21/02; A63H 21/04; A63H 18/00;
A63H 18/02; A63H 18/021; A63H 18/025;
A63H 18/028; A63H 18/04; A63H 18/06;
A63H 18/16

USPC D21/484, 490, 493, 509, 564, 565, 802,
D21/818, 821; 446/168-174, 84, 89, 108,
446/112, 114, 116, 124-128, 429,
446/444-447; 463/58-69; 238/10 R,
238/10 A-10 C, 10 E, 10 F; 104/60, 69

See application file for complete search history.

(56) **References Cited**

U.S. PATENT DOCUMENTS

D195,679 S 7/1963 Genin et al.
3,451,161 A 6/1969 Lemelson
5,118,320 A 6/1992 Miller
D344,306 S 2/1994 Ruskai
D344,310 S 2/1994 Ruskai
D344,555 S 2/1994 Ruskai

D344,992 S 3/1994 Ruskai
5,564,962 A * 10/1996 Navarrete Espinosa 446/128
D415,539 S * 10/1999 Rudy D21/505
6,572,434 B2 6/2003 Man
7,353,758 B2 4/2008 Murray
D620,989 S * 8/2010 Ryaa D21/501
D630,270 S 1/2011 Clausen
D640,330 S * 6/2011 Beauregard et al. D21/565
D640,331 S * 6/2011 Beauregard et al. D21/565

* cited by examiner

Primary Examiner — Cynthia M Chin

(74) *Attorney, Agent, or Firm* — Fox Rothschild LLP

(57) **CLAIM**

The ornamental design for a toy rollercoaster track section, as shown and described.

DESCRIPTION

FIG. 1 depicts a top perspective view of a toy rollercoaster track section.

FIG. 2 depicts a bottom perspective view of the toy rollercoaster track section of FIG. 1.

FIG. 3 depicts a front elevation view of the toy rollercoaster track section of FIG. 1.

FIG. 4 depicts a rear elevation view of the toy rollercoaster track section of FIG. 1.

FIG. 5 depicts a right elevation view of the toy rollercoaster track section of FIG. 1.

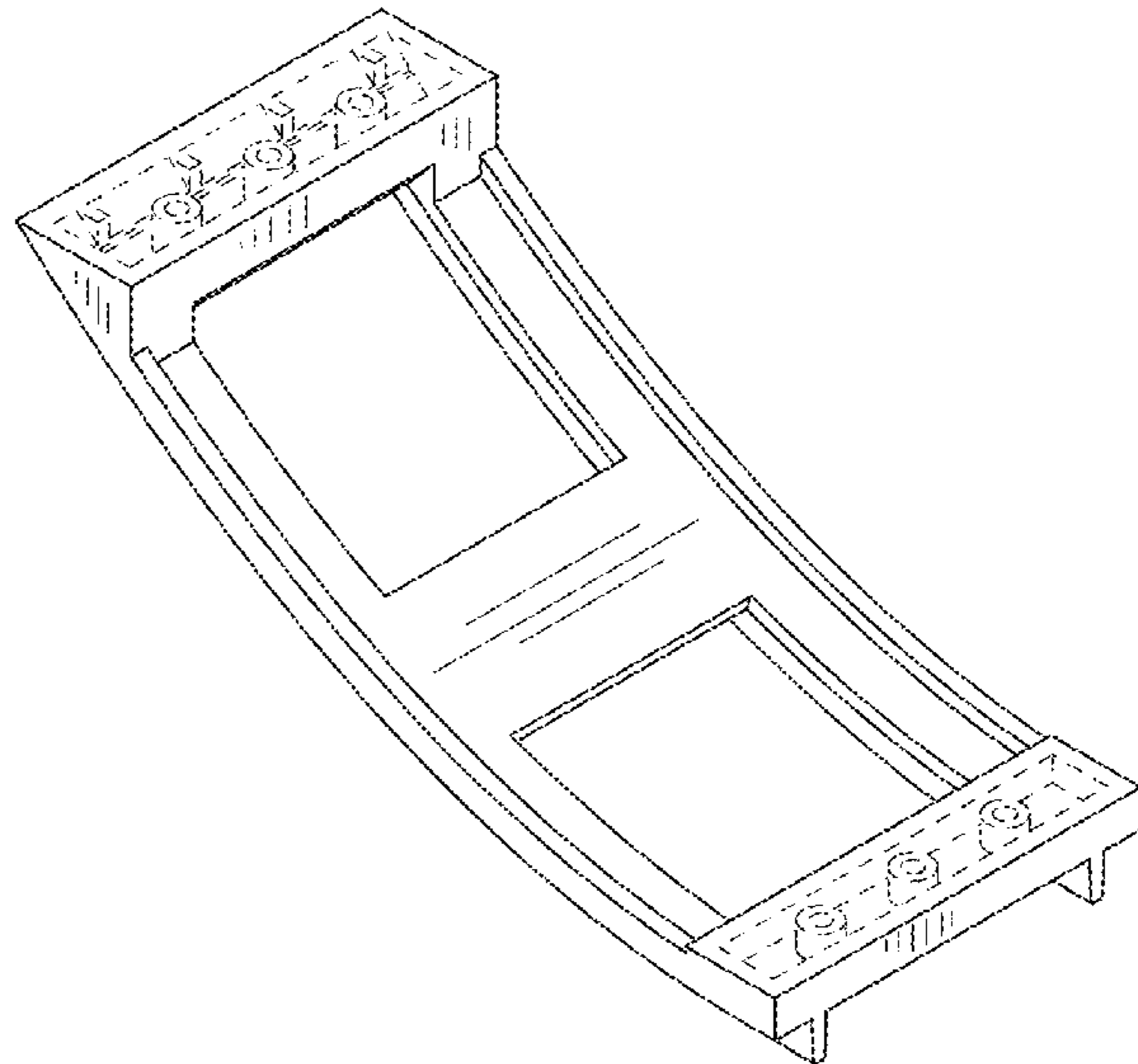
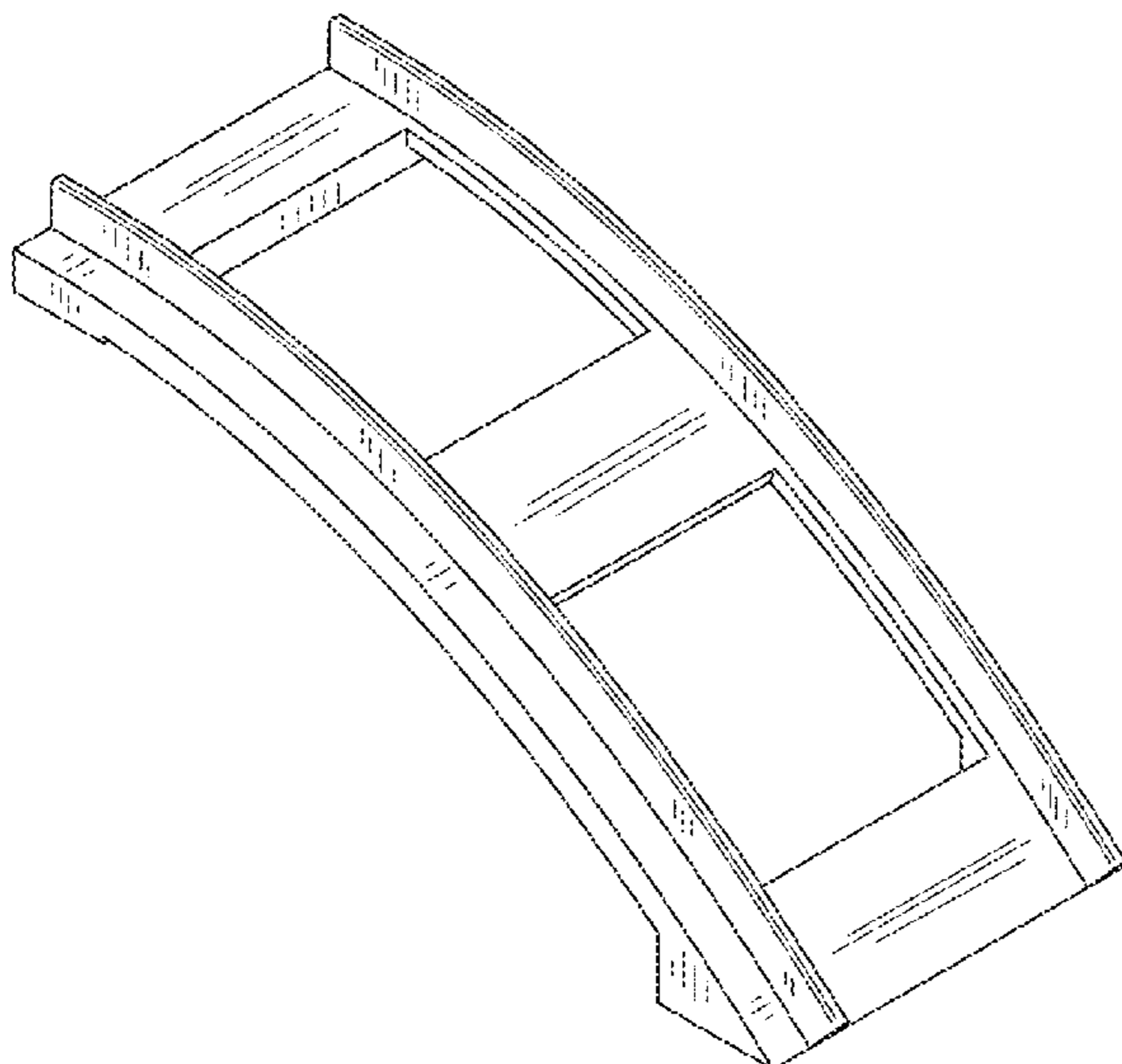
FIG. 6 depicts a left elevation view of the toy rollercoaster track section of FIG. 1.

FIG. 7 depicts a top plan view of the toy rollercoaster track section of FIG. 1; and,

FIG. 8 depicts a bottom plan view of the toy rollercoaster track section of FIG. 1.

The broken lines in the drawings illustrate environmental structure on the article and form no part of the claimed design.

1 Claim, 4 Drawing Sheets



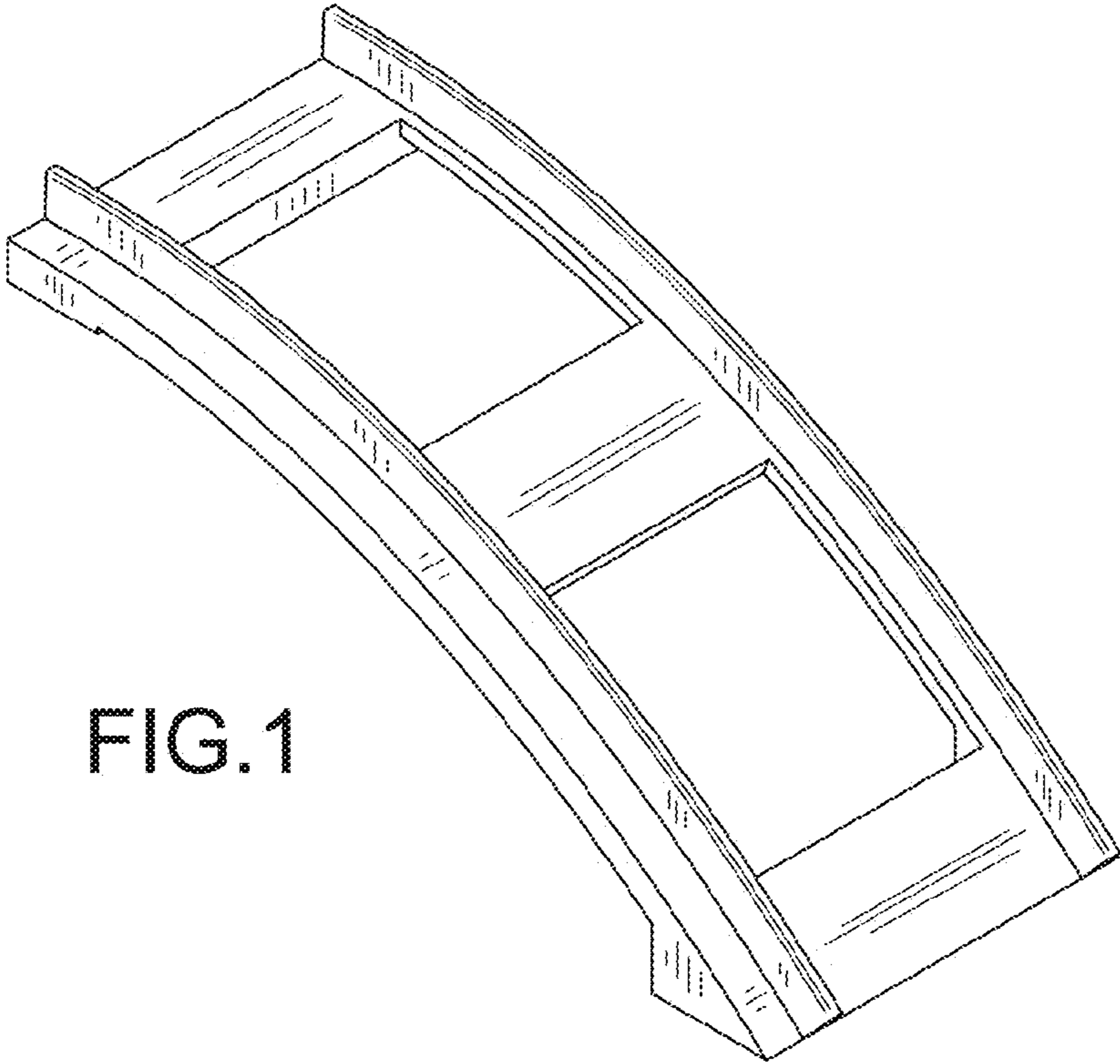


FIG. 1

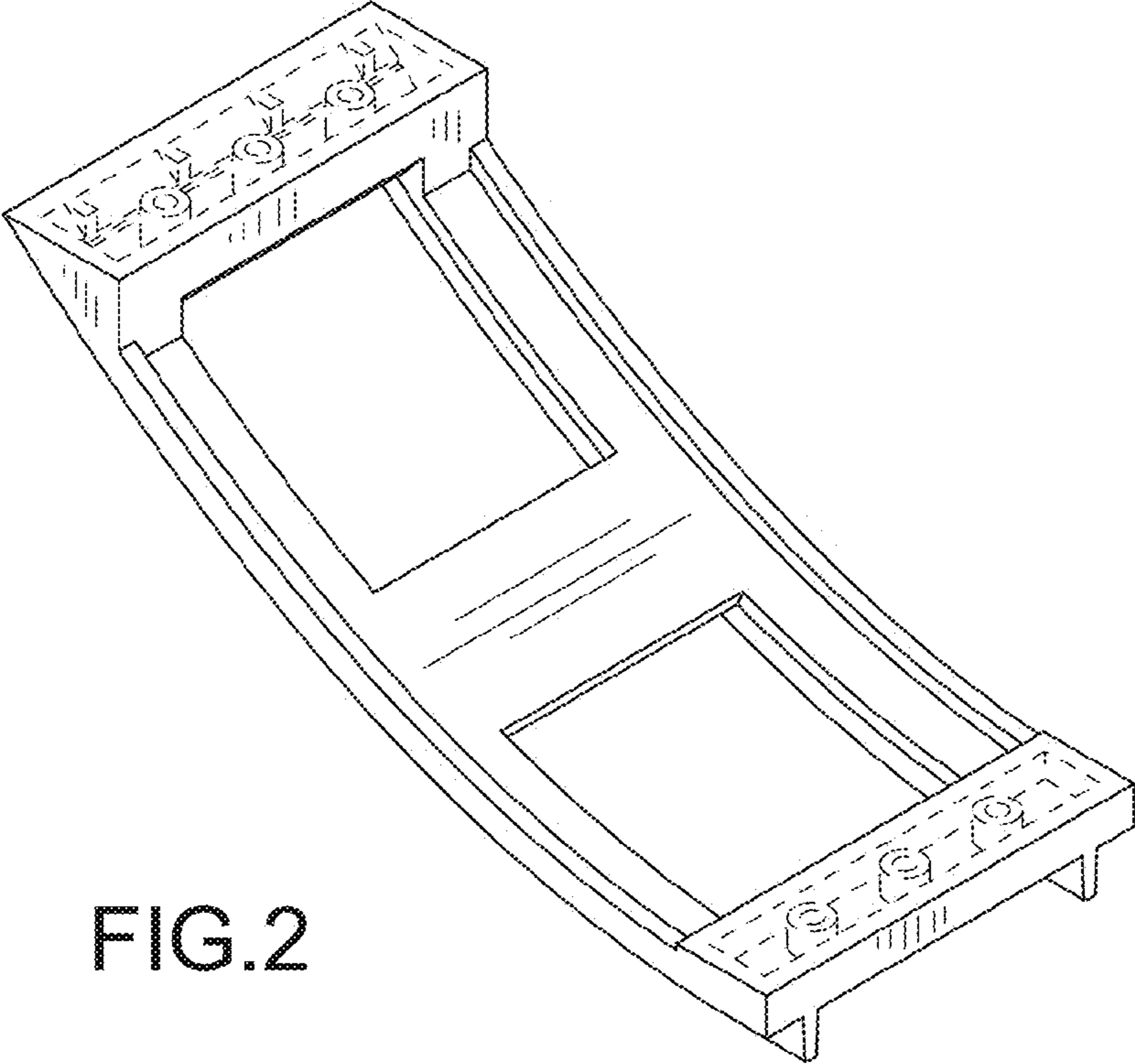


FIG. 2

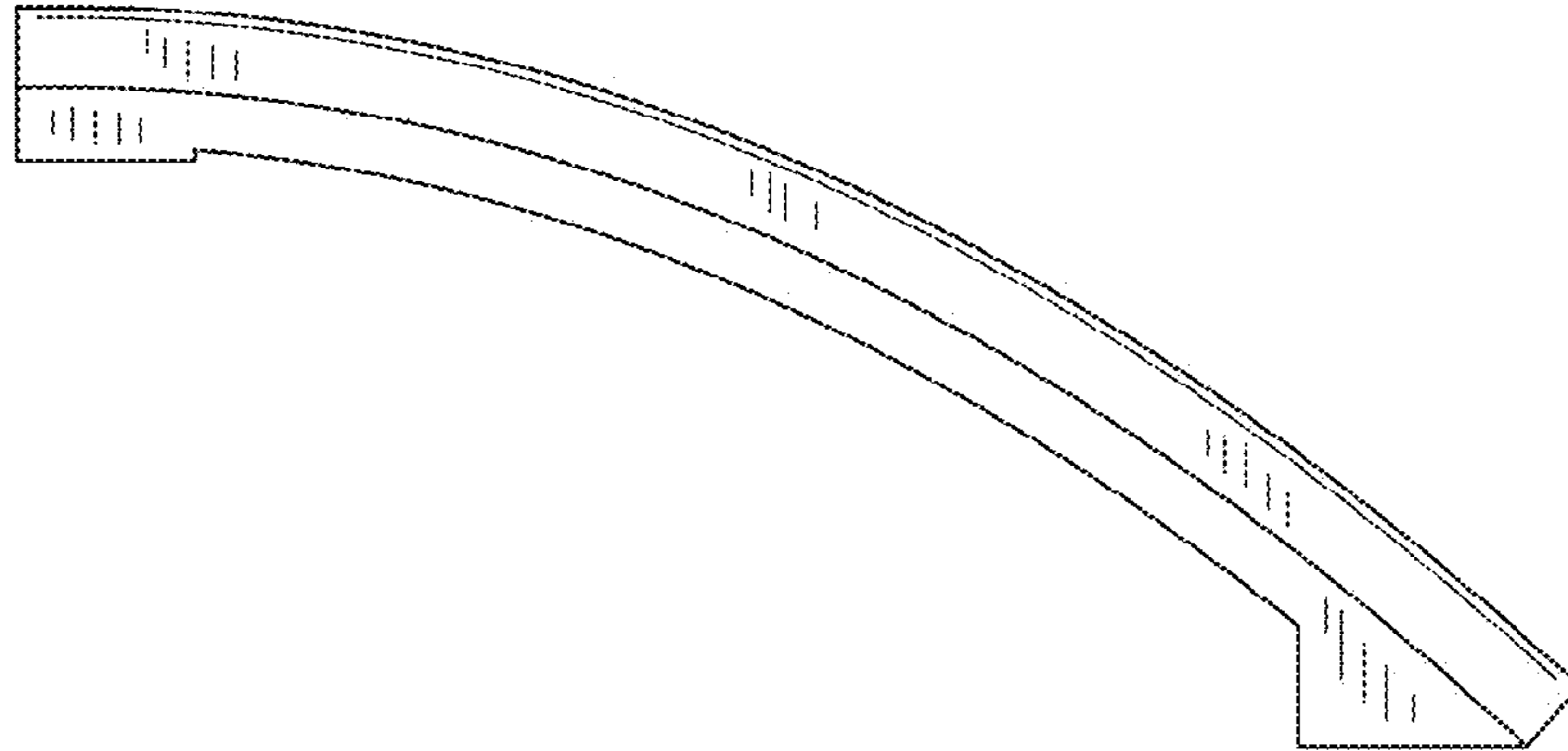


FIG.3

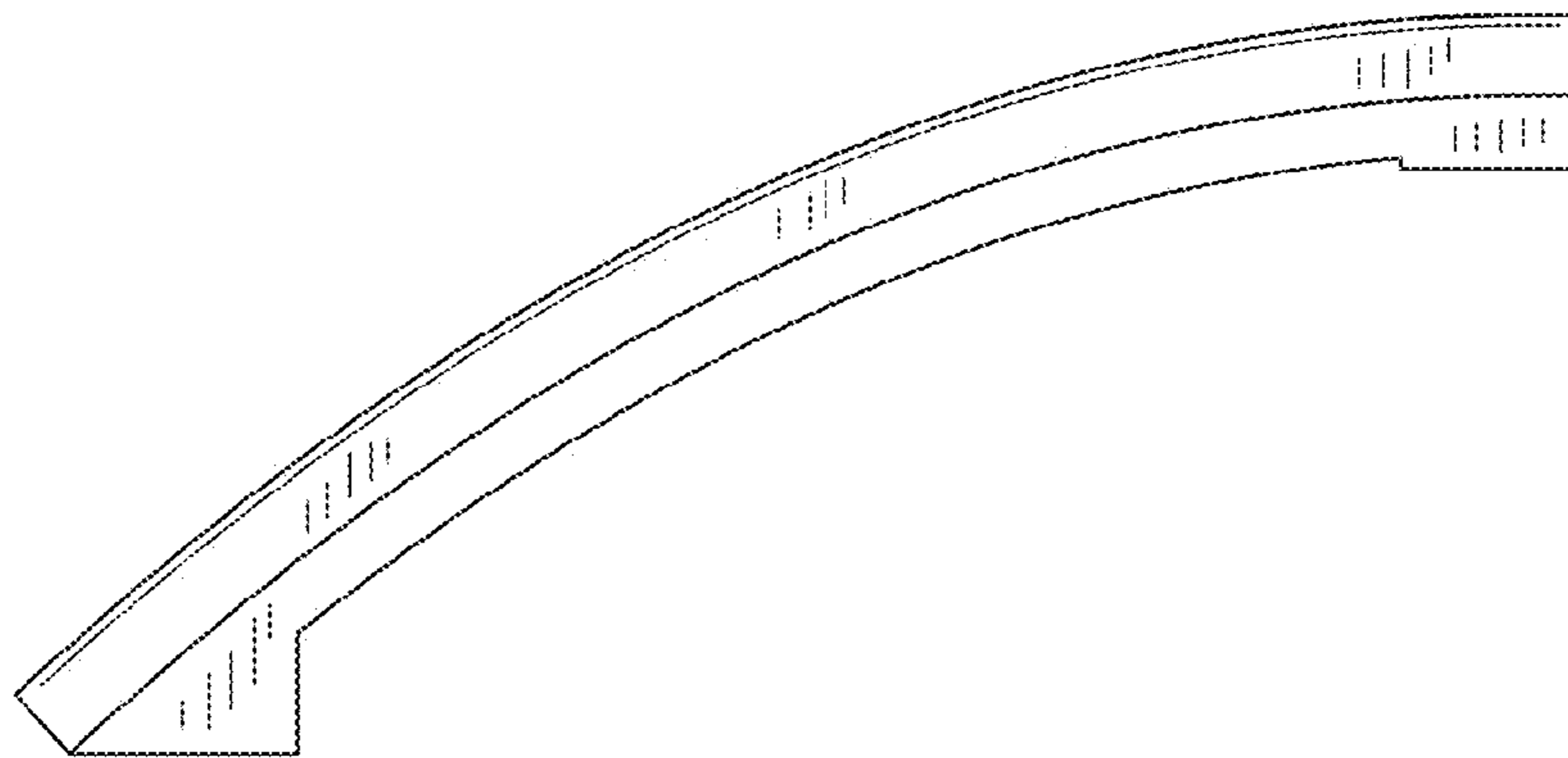


FIG.4

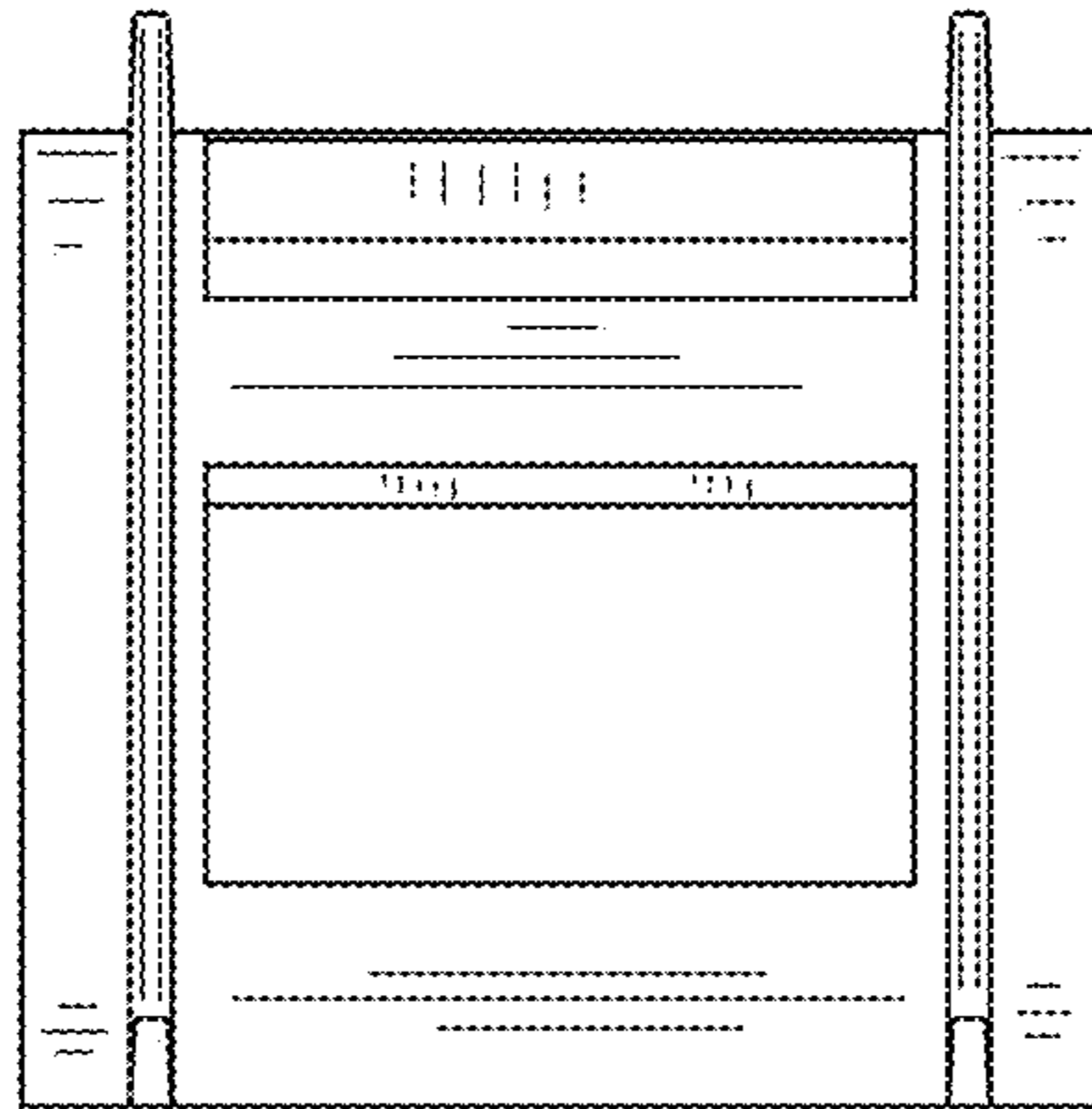


FIG. 5

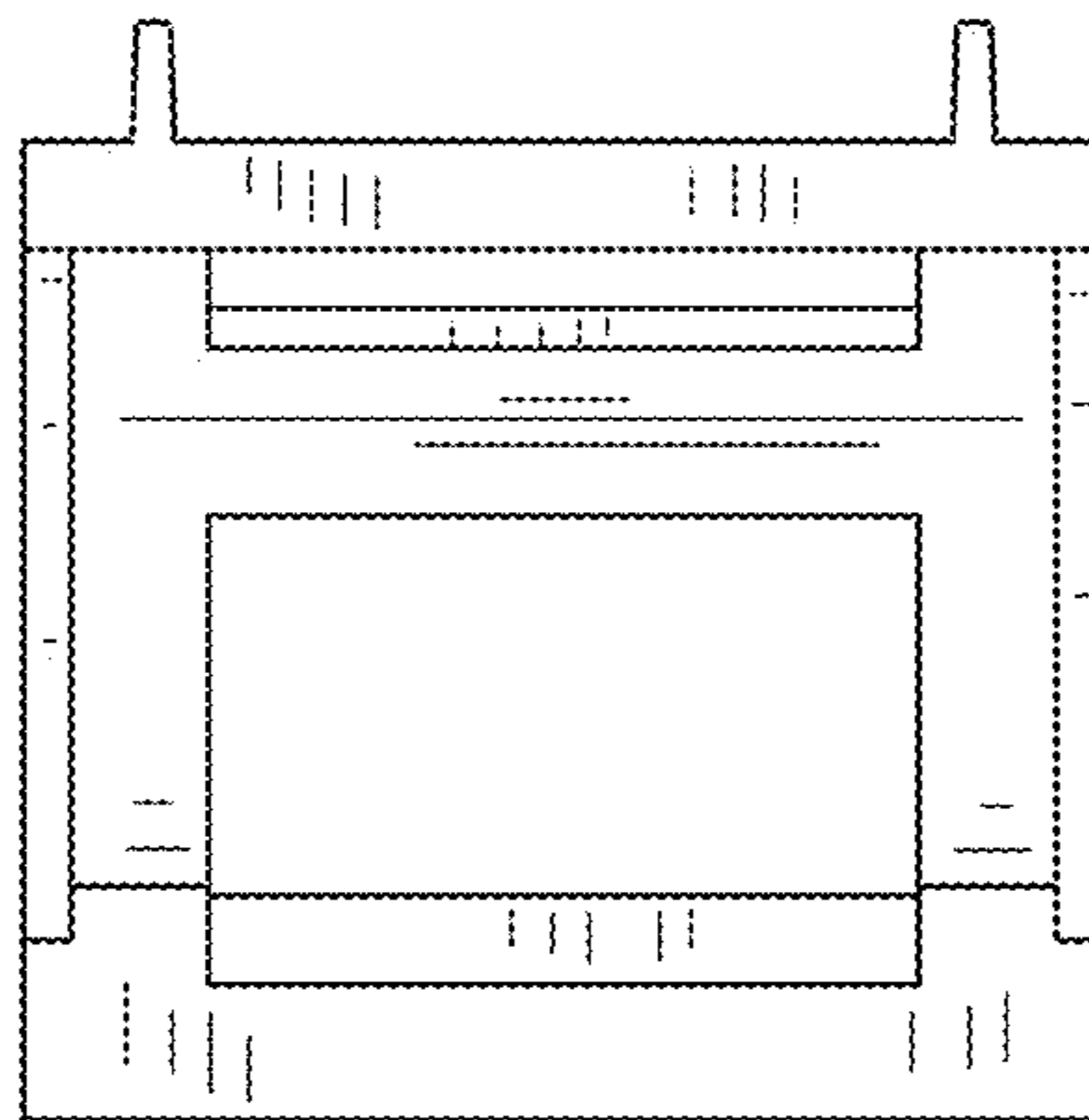


FIG. 6

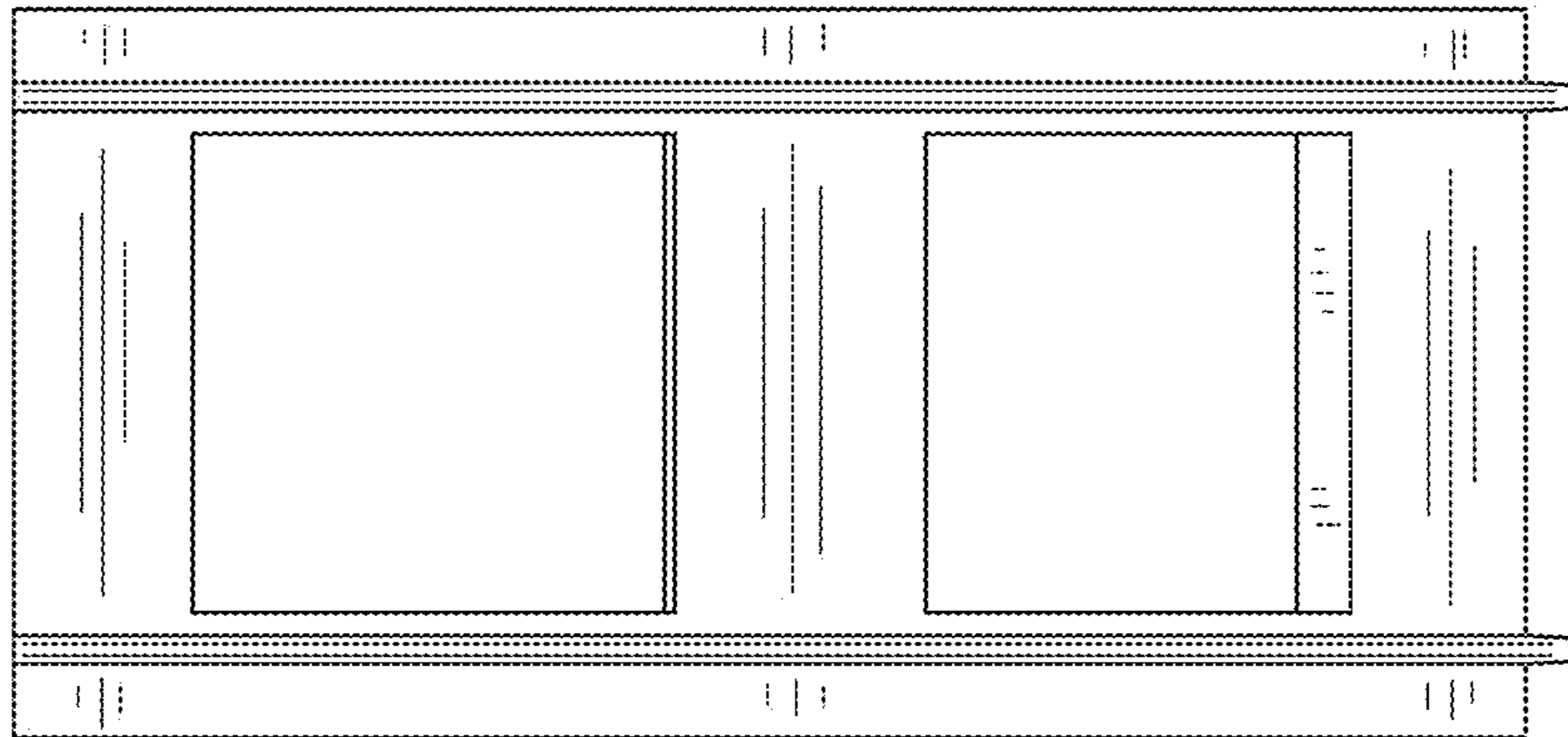


FIG. 7

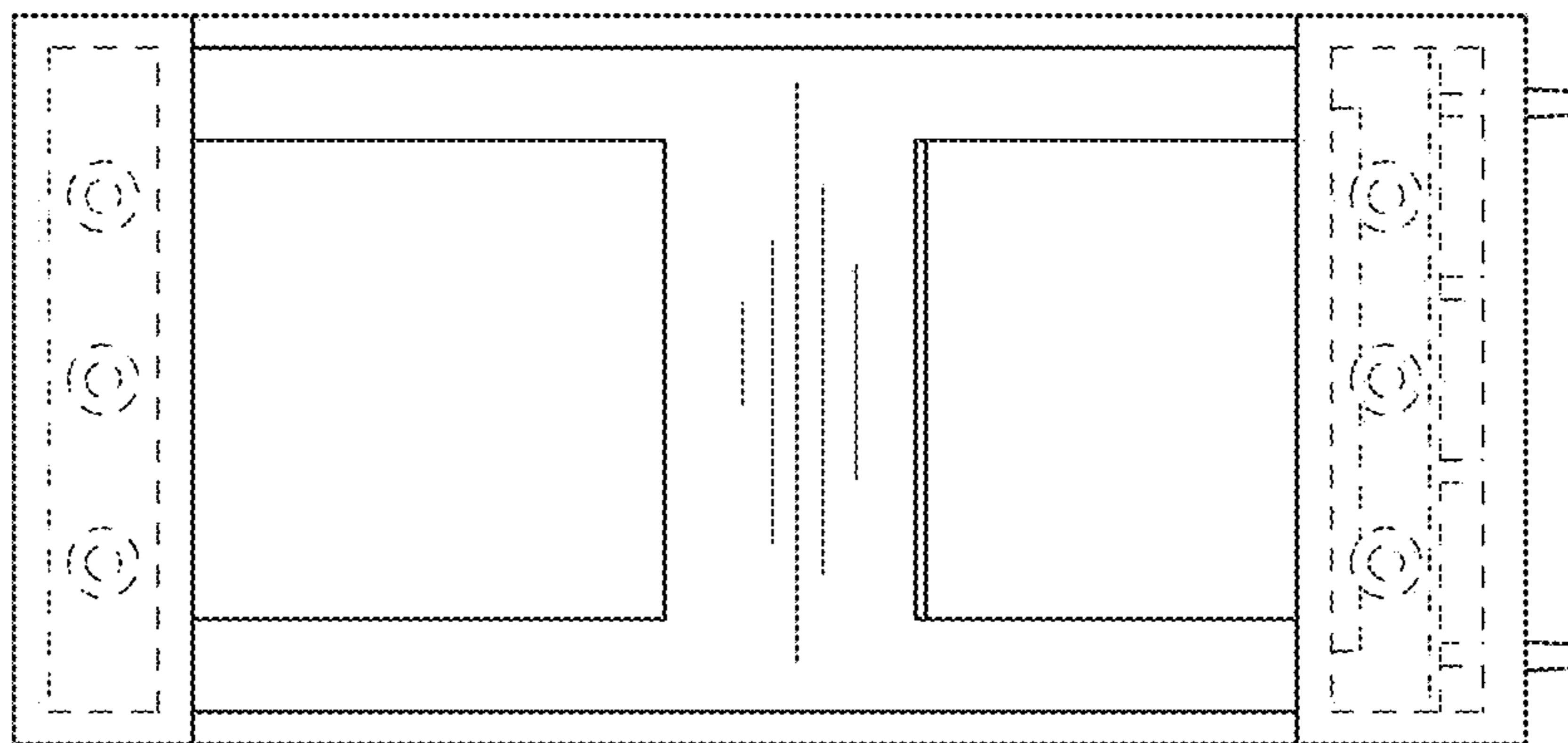


FIG. 8

UNITED STATES PATENT AND TRADEMARK OFFICE
CERTIFICATE OF CORRECTION

PATENT NO. : D718,395 S
APPLICATION NO. : 29/466995
DATED : November 25, 2014
INVENTOR(S) : Brian Edwards

Page 1 of 11

It is certified that error appears in the above-identified patent and that said Letters Patent is hereby corrected as shown below:

Delete title page and substitute therefore with the attached title page and new title page 2 showing the corrected number of drawing sheets in patent and respective descriptions.

In the Drawings

Delete Drawing Sheets 1-4 and substitute therefore with the attached Drawing Sheets 1-8. FIGS. 9-16 have been added.

Signed and Sealed this
Twenty-third Day of June, 2015



Michelle K. Lee
Director of the United States Patent and Trademark Office

(12) **United States Design Patent**
Edwards

(10) **Patent No.:** **US D718,395 S**
(45) **Date of Patent:** **** Nov. 25, 2014**

(54) **TOY ROLLERCOASTER TRACK SECTION**

(71) Applicant: **Protocad Corp.**, La Plata, MD (US)

(72) Inventor: **Brian D. Edwards**, La Plata, MD (US)

(73) Assignee: **Protocad Corp.**, La Plata, MD (US)

(**) Term: **14 Years**

(21) Appl. No.: **29/466,995**

(22) Filed: **Sep. 13, 2013**

(51) **LOC (10) Cl.** **21-01**

(52) **U.S. Cl.**
USPC **D21/565**

(58) **Field of Classification Search**

CPC A63H 19/24; A63H 19/28; A63H 19/30;
A63H 19/32; A63H 19/36; A63H 21/00;
A63H 21/02; A63H 21/04; A63H 18/00;
A63H 18/02; A63H 18/021; A63H 18/025;
A63H 18/028; A63H 18/04; A63H 18/06;
A63H 18/16

USPC D21/484, 490, 493, 509, 564, 565, 802,
D21/818, 821; 446/168 174, 84, 89, 108,
446/112, 114, 116, 124-128, 429,
446/444-447; 463/58-69; 238/10 R,
238/10 A-10 C, 10 E, 10 F; 104/60, 69

See application file for complete search history.

(56) **References Cited**

U.S. PATENT DOCUMENTS

D195,679 S	7/1963	Genin et al.
3,451,161 A	6/1969	Lemelson
5,118,320 A	6/1992	Miller
D344,306 S	2/1994	Ruszkai
D344,310 S	2/1994	Ruszkai
D344,555 S	2/1994	Ruszkai

D344,992 S	3/1994	Ruszkai	
5,564,962 A *	10/1996	Navarrete Espinosa	446/128
D415,539 S *	10/1999	Rudy	D21/505
6,572,434 B2	6/2003	Man	
7,353,758 B2	4/2008	Murray	
D620,989 S *	8/2010	Ryaa	D21/501
D630,270 S	1/2011	Clausen	
D640,330 S *	6/2011	Beauregard et al.	D21/565
D640,331 S *	6/2011	Beauregard et al.	D21/565

* cited by examiner

Primary Examiner — Cynthia M Chin

(74) *Attorney, Agent, or Firm* — Fox Rothschild LLP

(57) **CLAIM**

The ornamental design for a toy rollercoaster track section, as shown and described.

DESCRIPTION

FIG. 1 depicts a top perspective view of a toy rollercoaster track section.

FIG. 2 depicts a bottom perspective view of the toy rollercoaster track section of FIG. 1.

FIG. 3 depicts a front elevation view of the toy rollercoaster track section of FIG. 1.

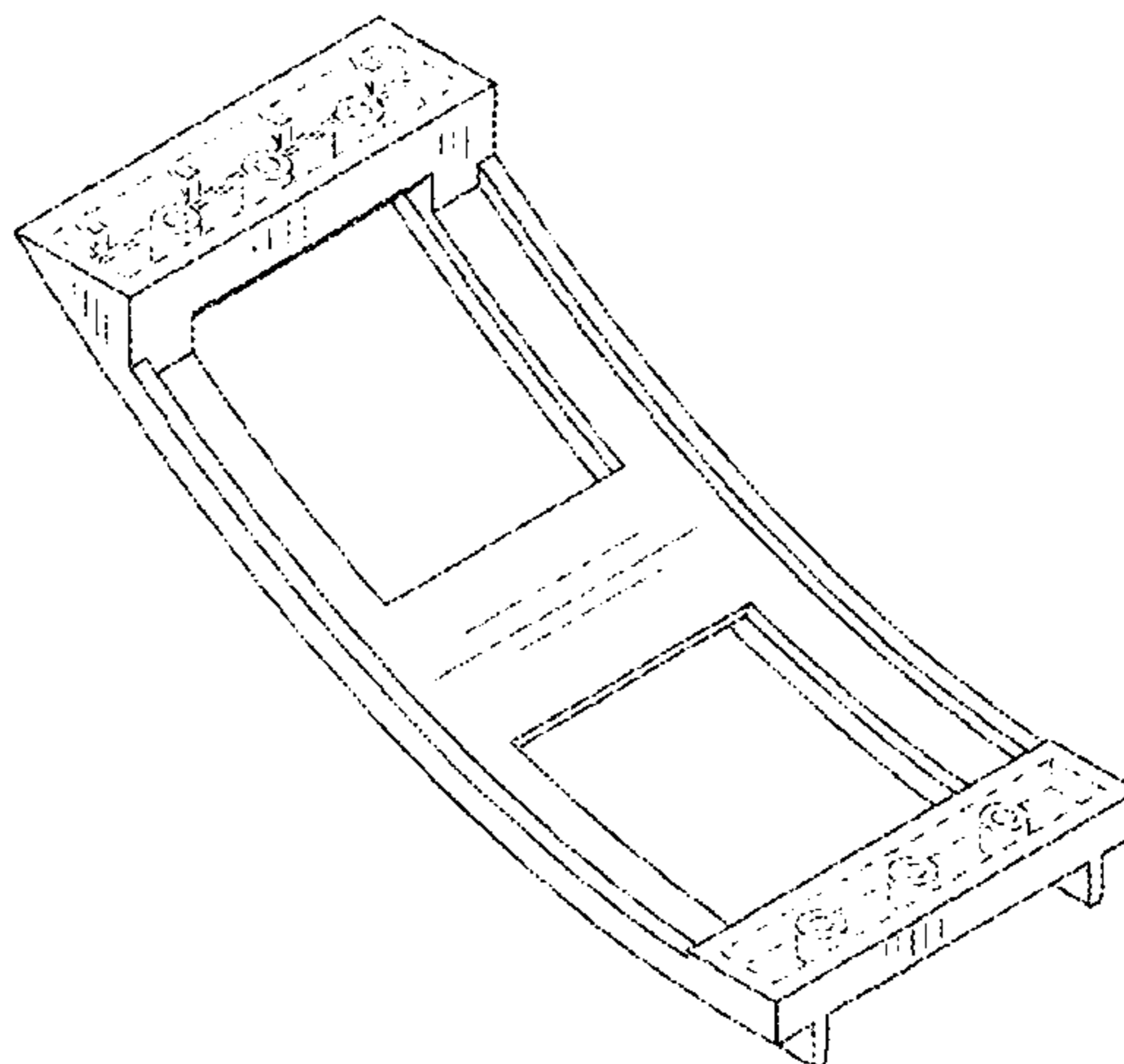
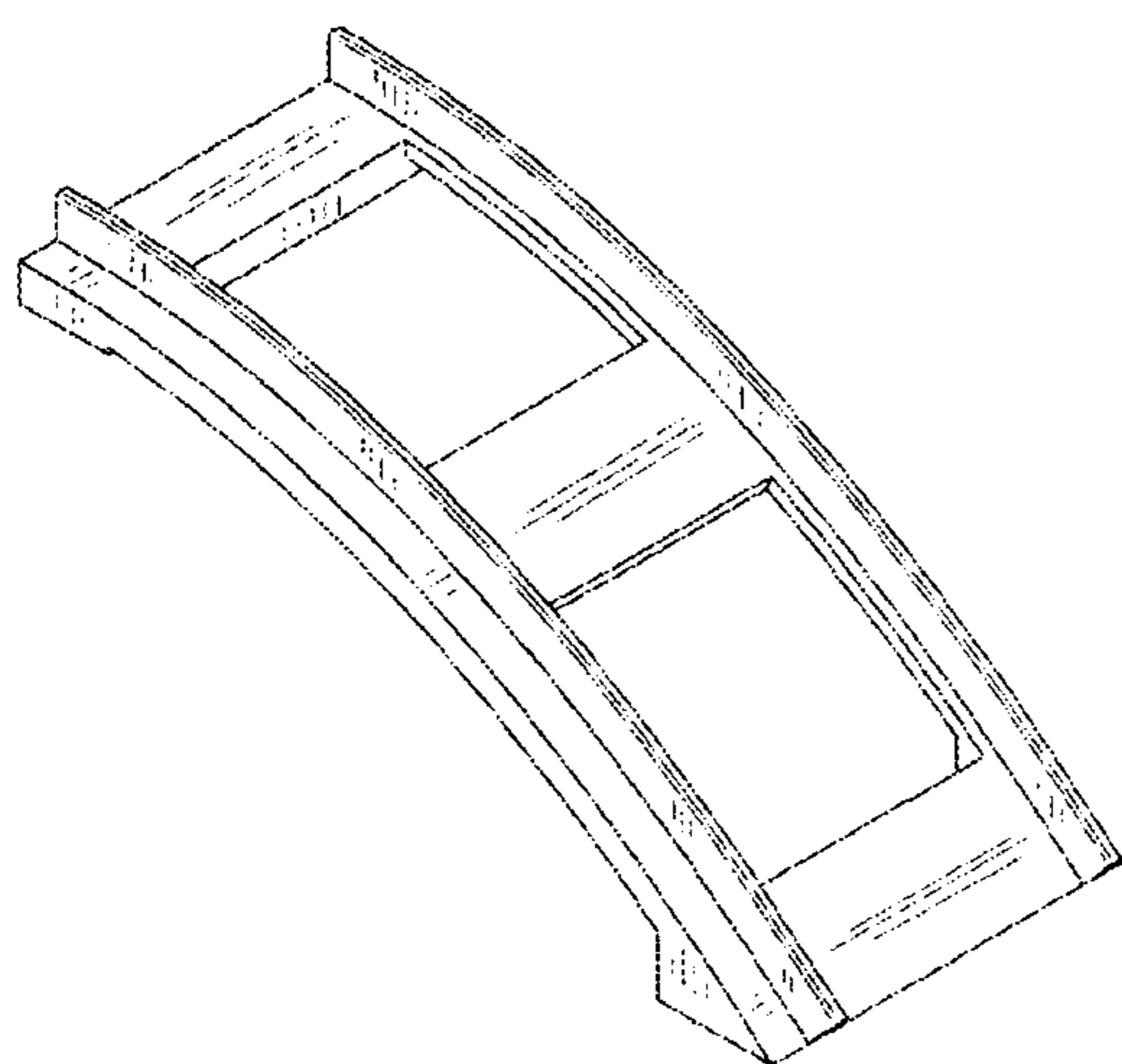
FIG. 4 depicts a rear elevation view of the toy rollercoaster track section of FIG. 1.

FIG. 5 depicts a right elevation view of the toy rollercoaster track section of FIG. 1.

FIG. 6 depicts a left elevation view of the toy rollercoaster track section of FIG. 1.

FIG. 7 depicts a top plan view of the toy rollercoaster track section of FIG. 1.

FIG. 8 depicts a bottom plan view of the toy rollercoaster track section of FIG. 1.



US D718,395S

Page 2

FIG. 9 depicts a top perspective view of a second embodiment of a toy rollercoaster track section.

FIG. 10 depicts a bottom perspective view of the toy rollercoaster track section of FIG. 9.

FIG. 11 depicts a front elevation view of the toy rollercoaster track section of FIG. 9.

FIG. 12 depicts a rear elevation view of the toy rollercoaster track section of FIG. 9.

FIG. 13 depicts a right elevation view of the toy rollercoaster track section of FIG. 9.

FIG. 14 depicts a left elevation view of the toy rollercoaster track section of FIG. 9.

FIG. 15 depicts a top plan view of the toy rollercoaster track section of FIG. 9.

FIG. 16 depicts a bottom plan view of the toy rollercoaster track section of FIG. 9.

The broken lines in the drawings illustrate environmental structure on the article and form no part of the claimed design.

1 Claim, 8 Drawing Sheets

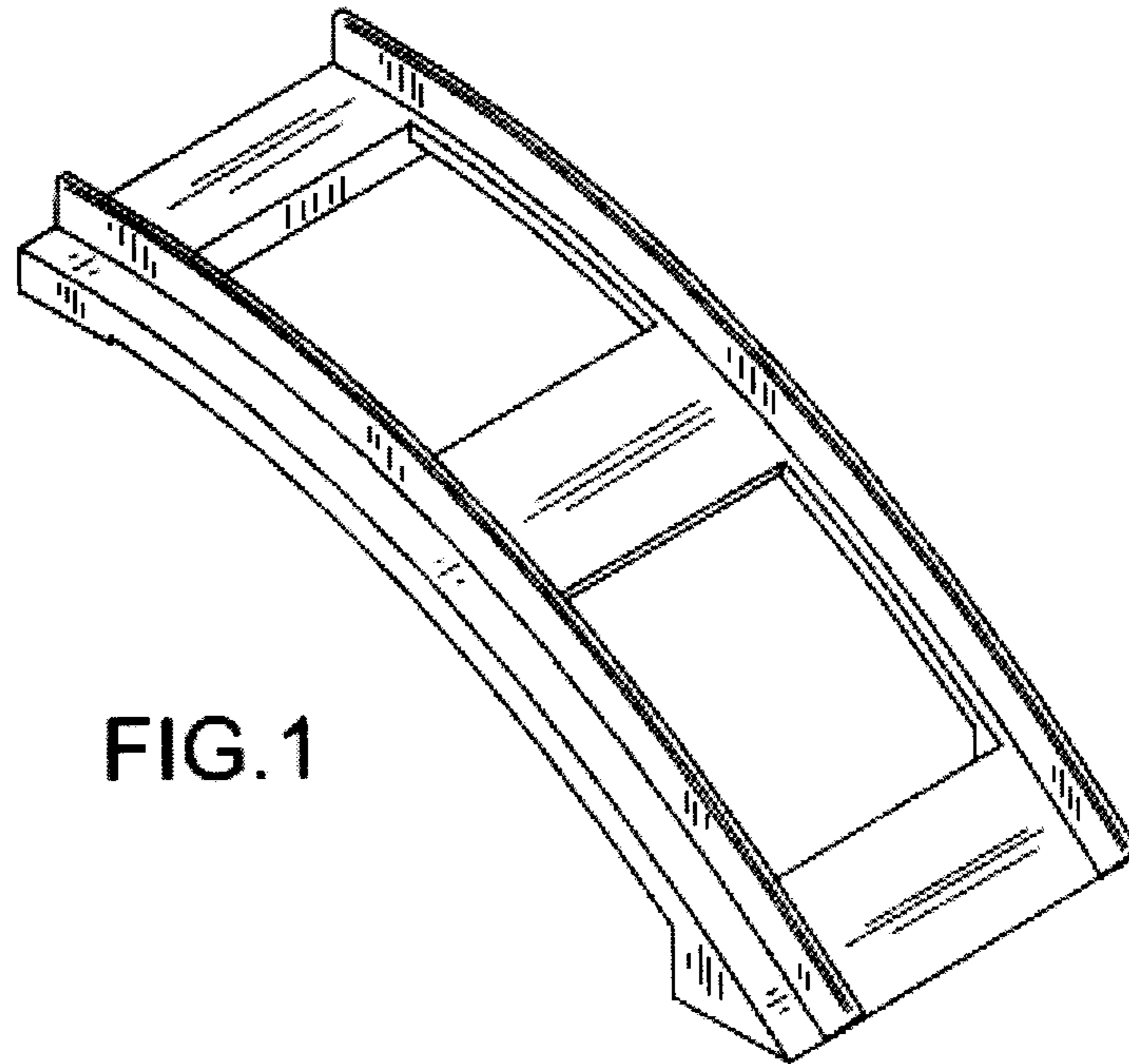


FIG. 1

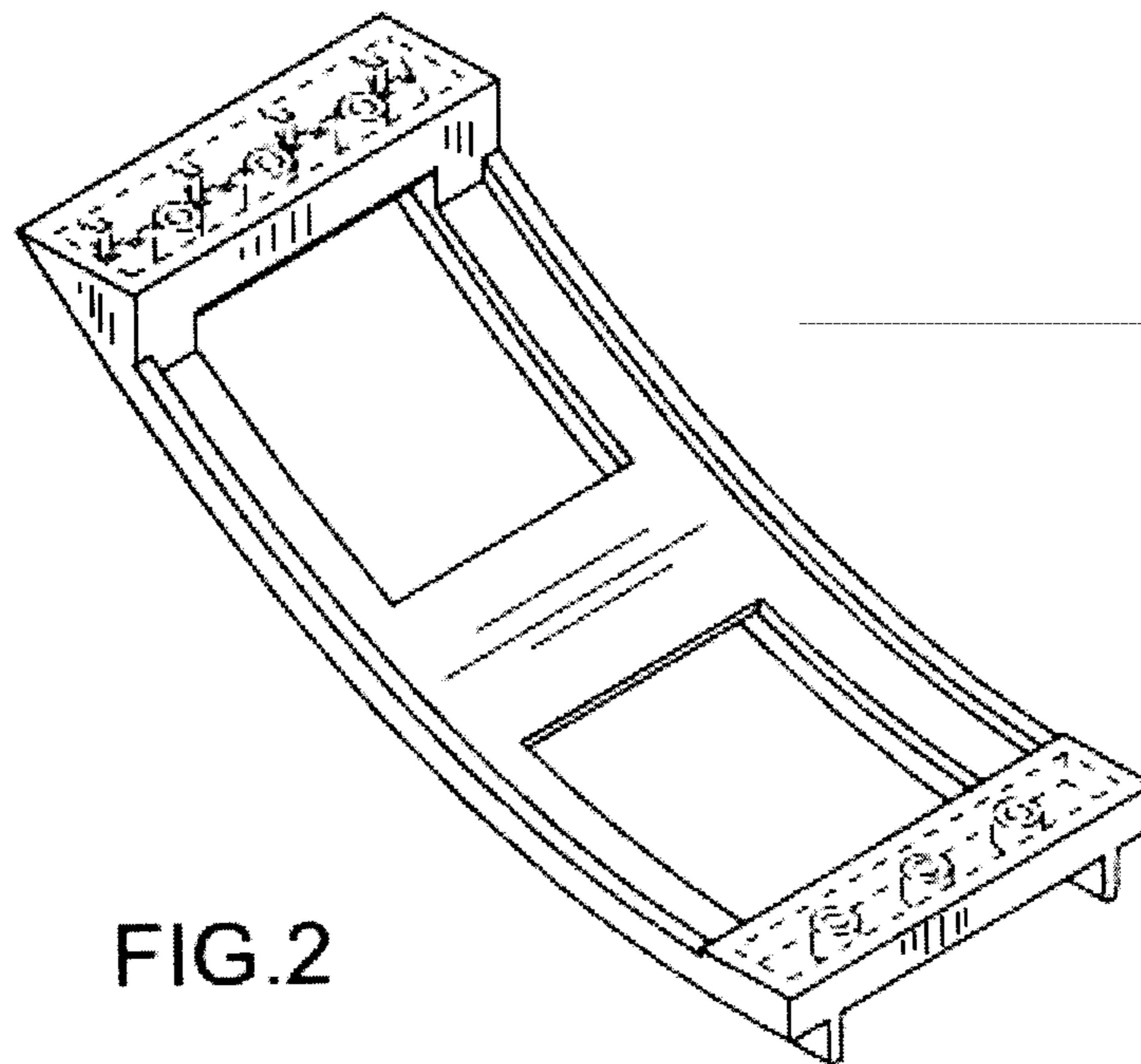


FIG. 2

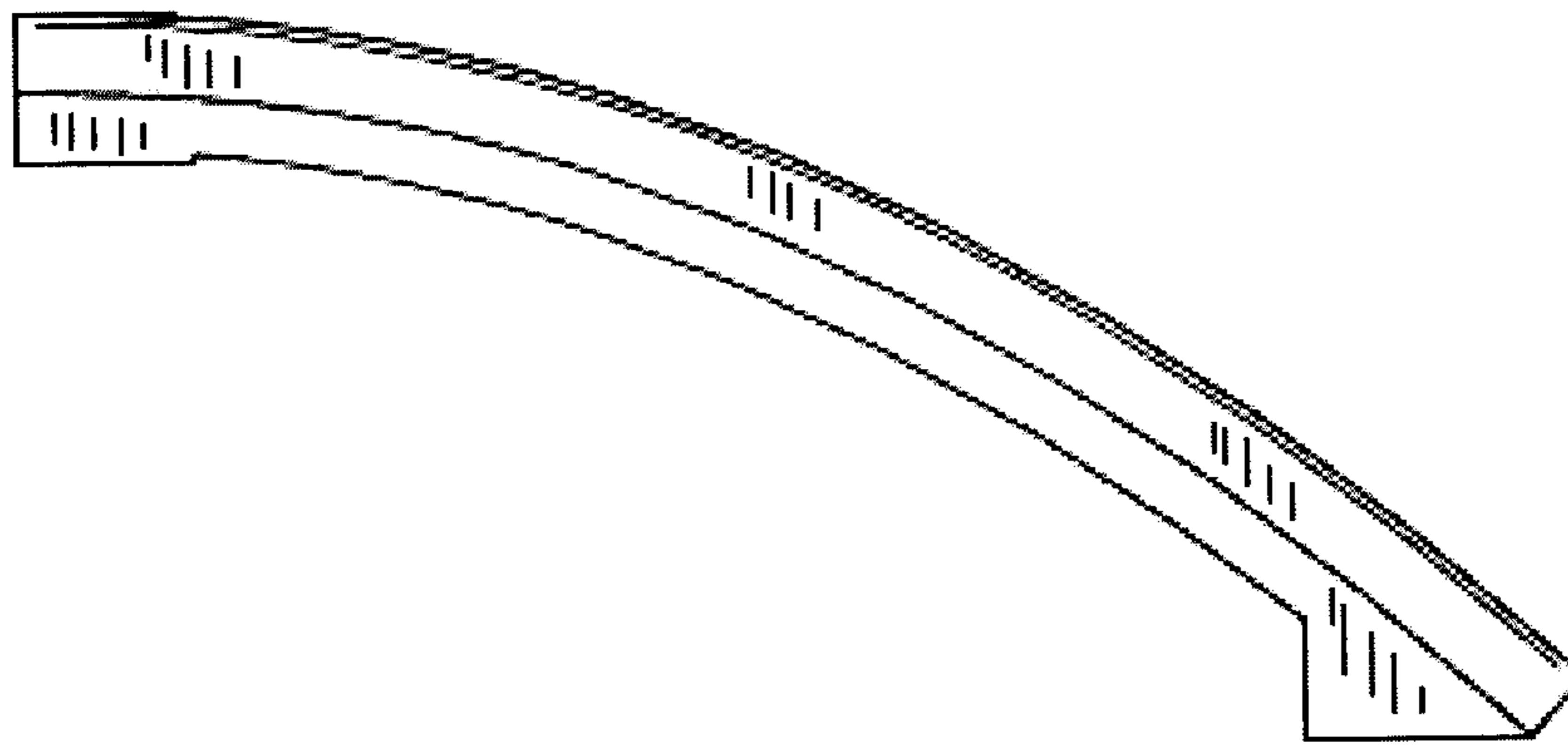


FIG. 3

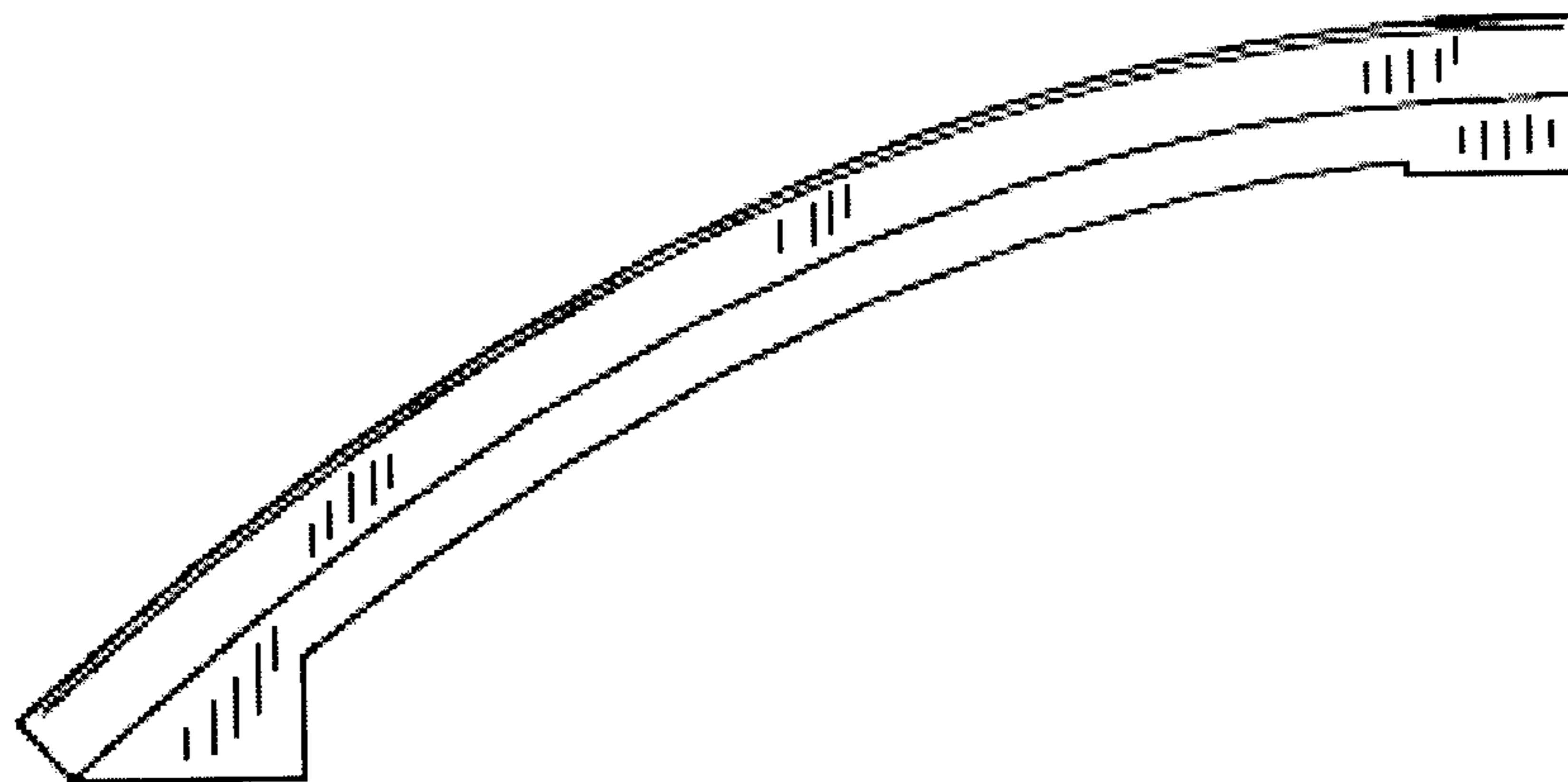


FIG. 4

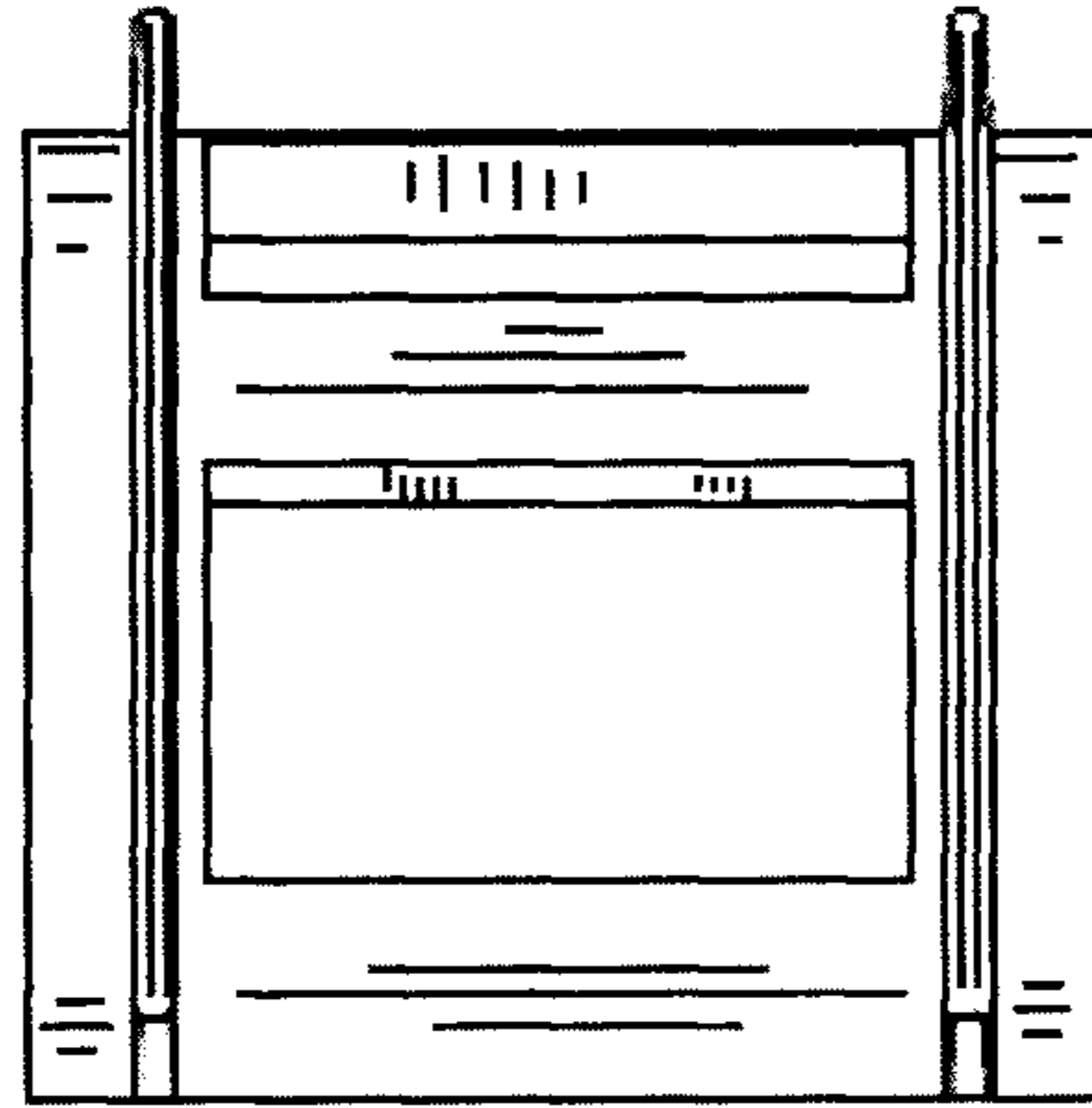


FIG.5

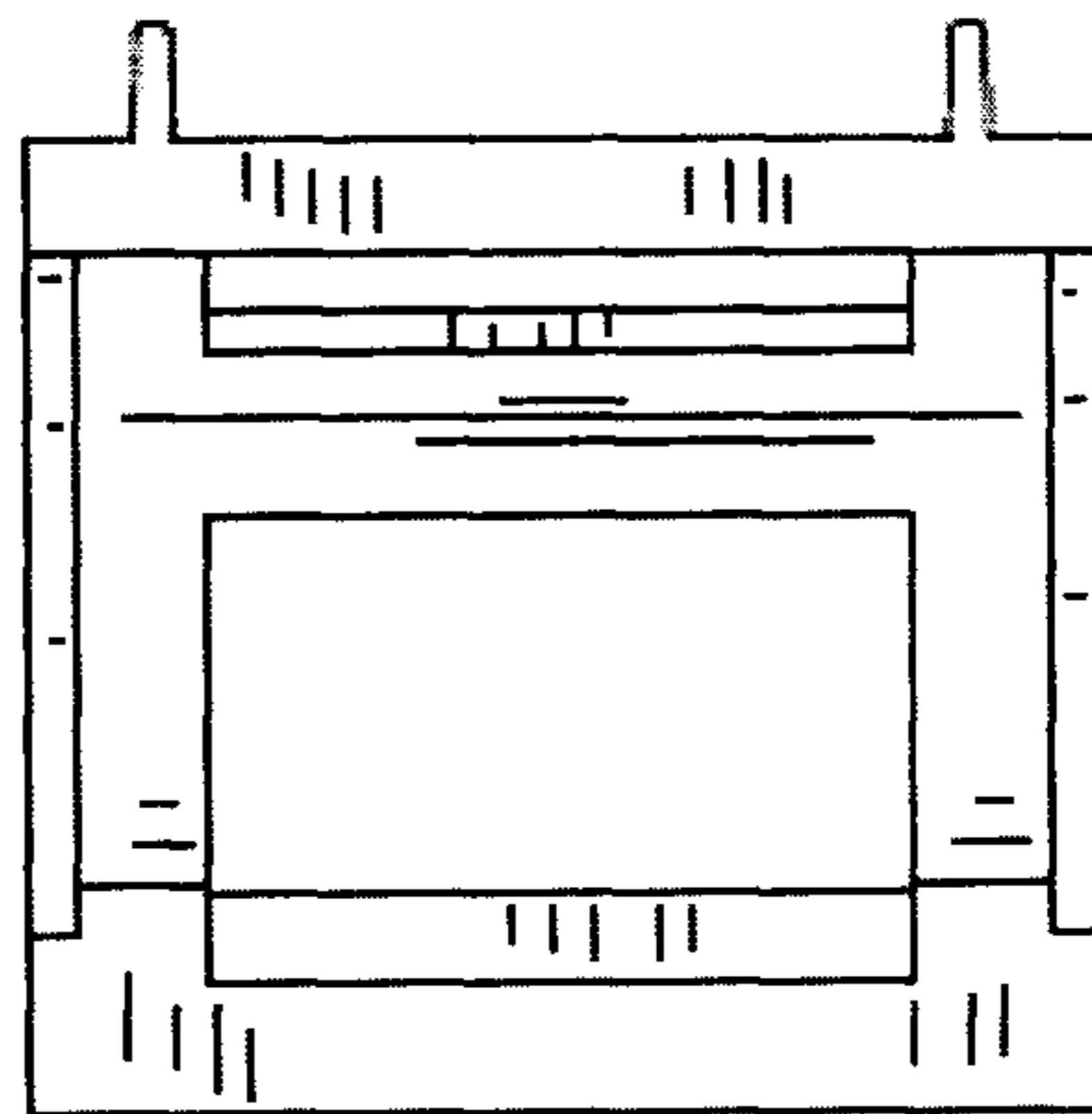


FIG.6

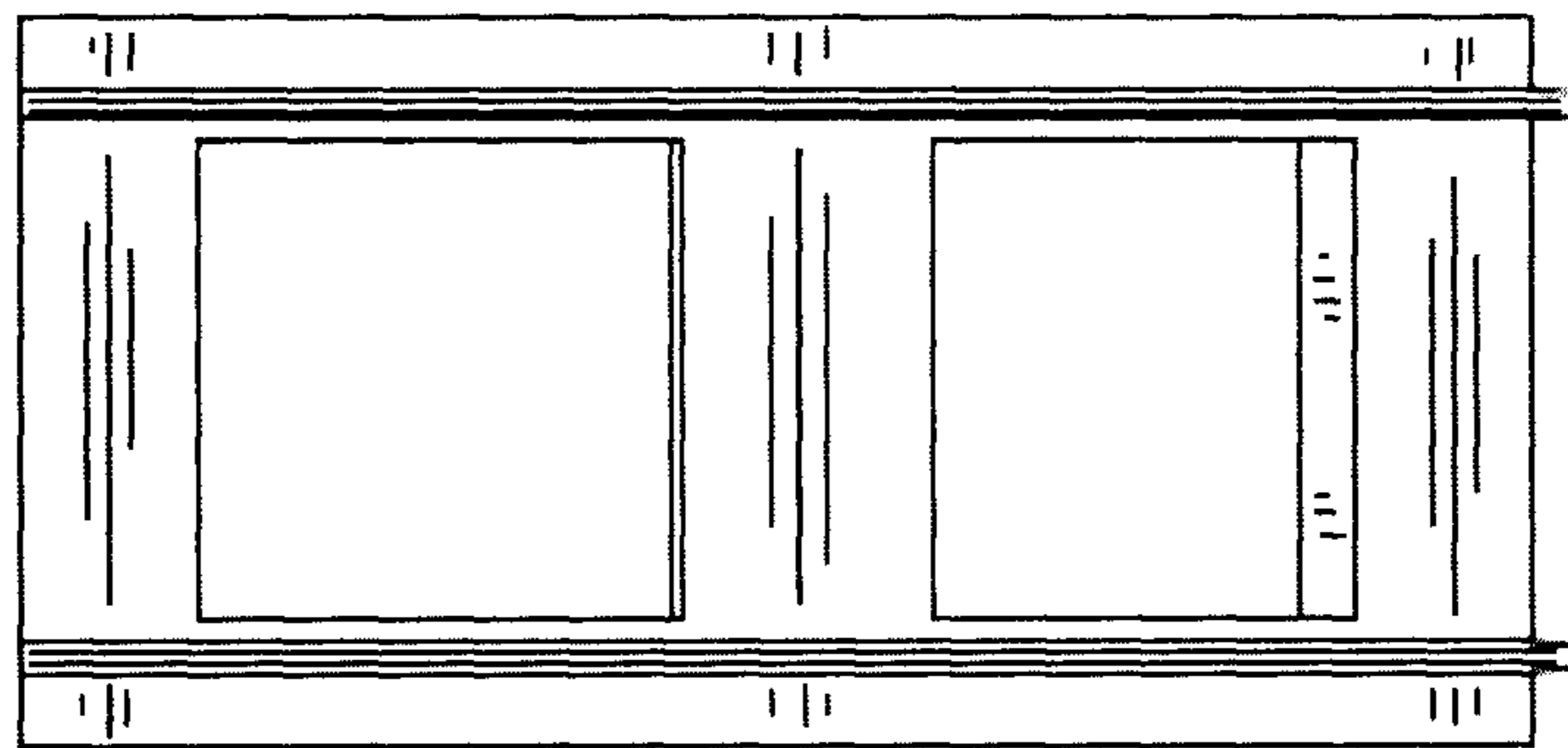


FIG. 7

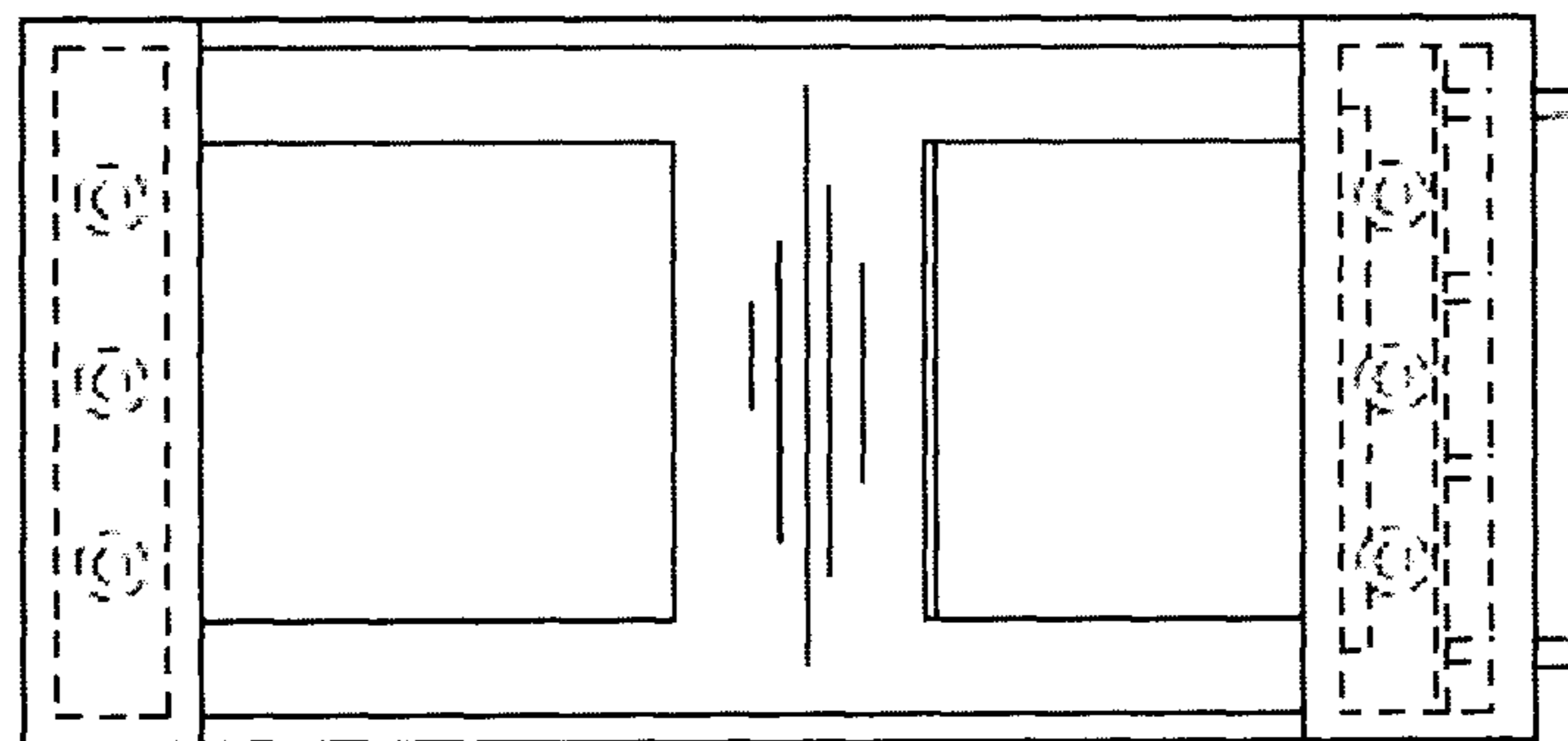


FIG. 8

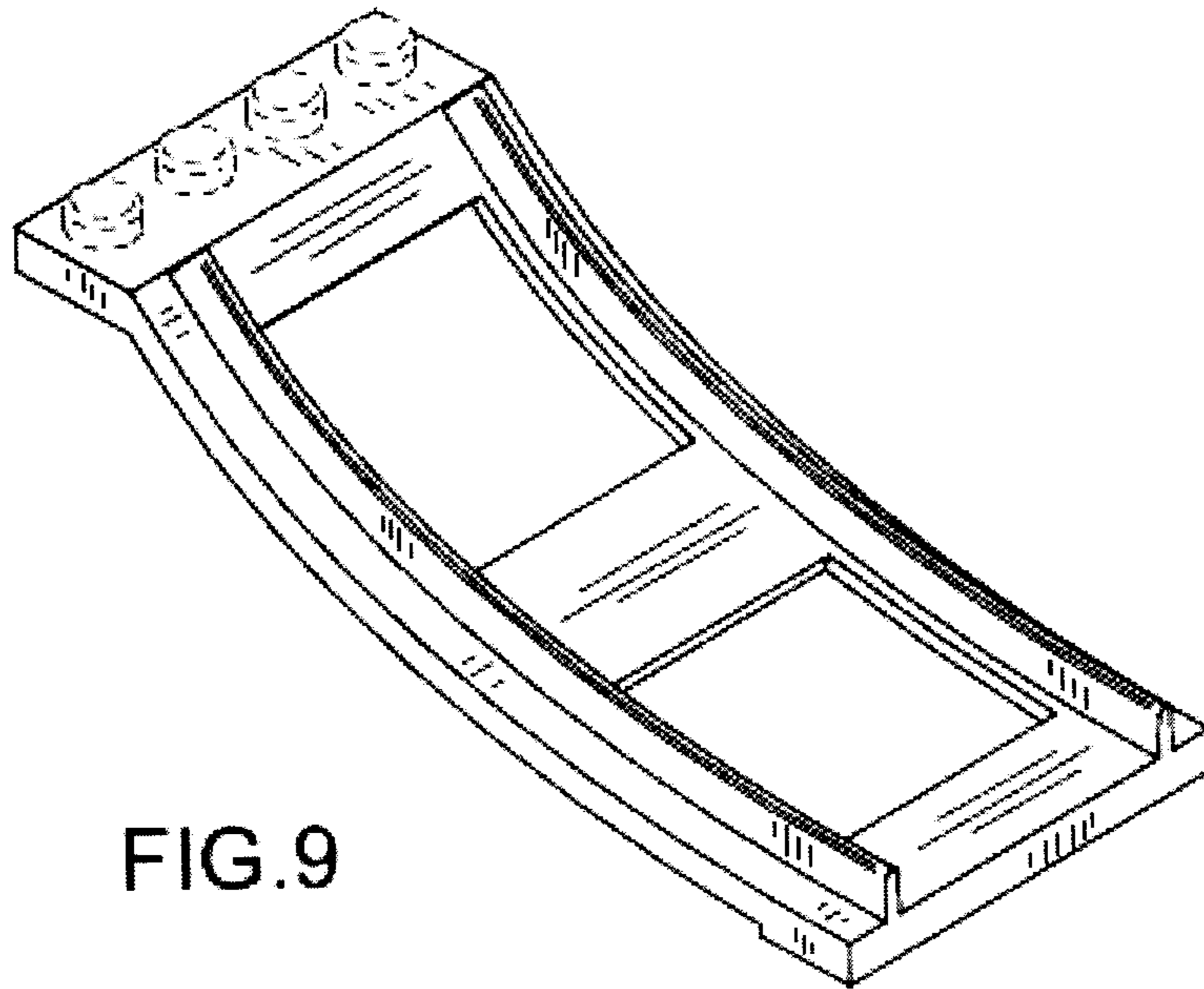


FIG. 9

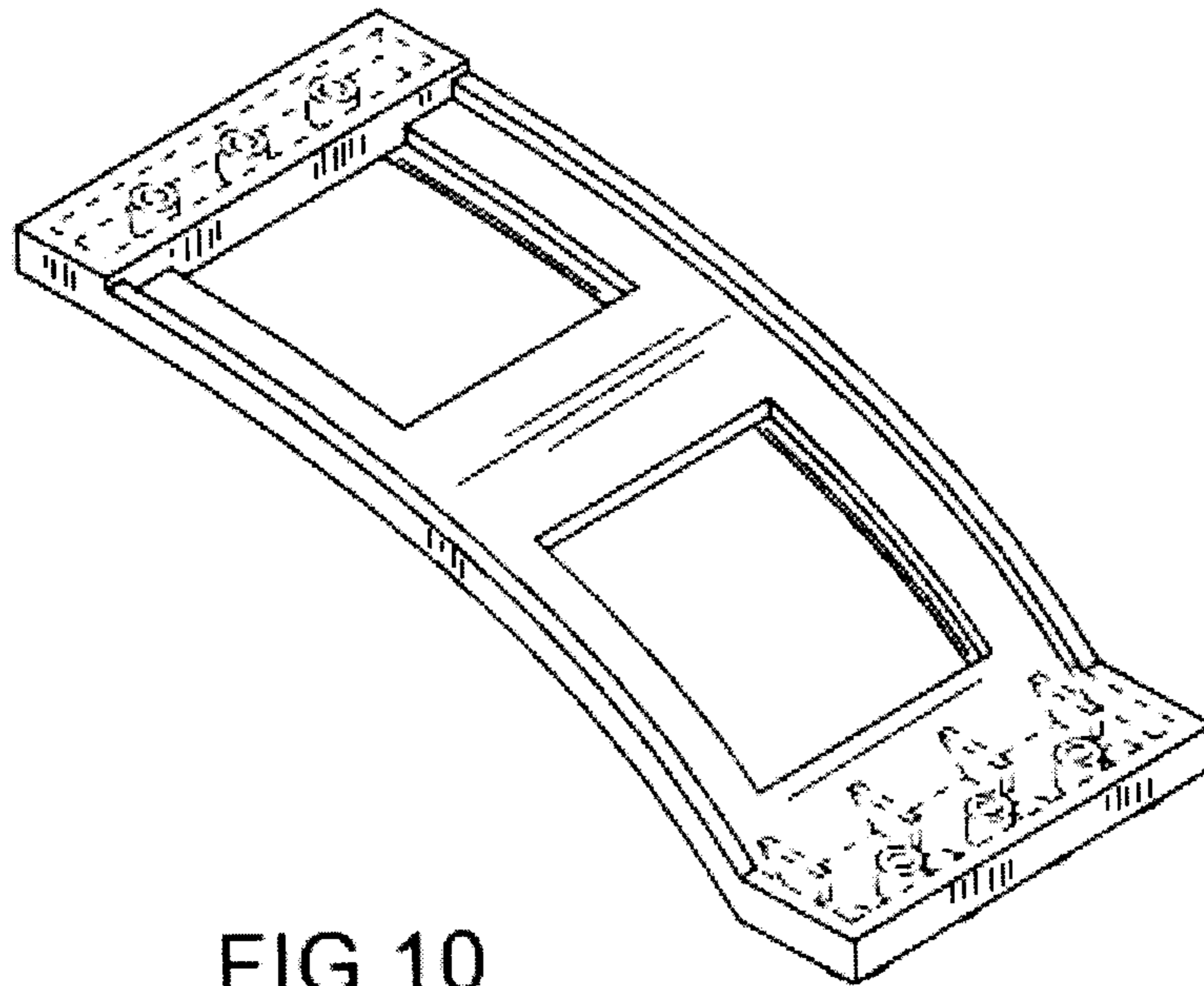


FIG. 10

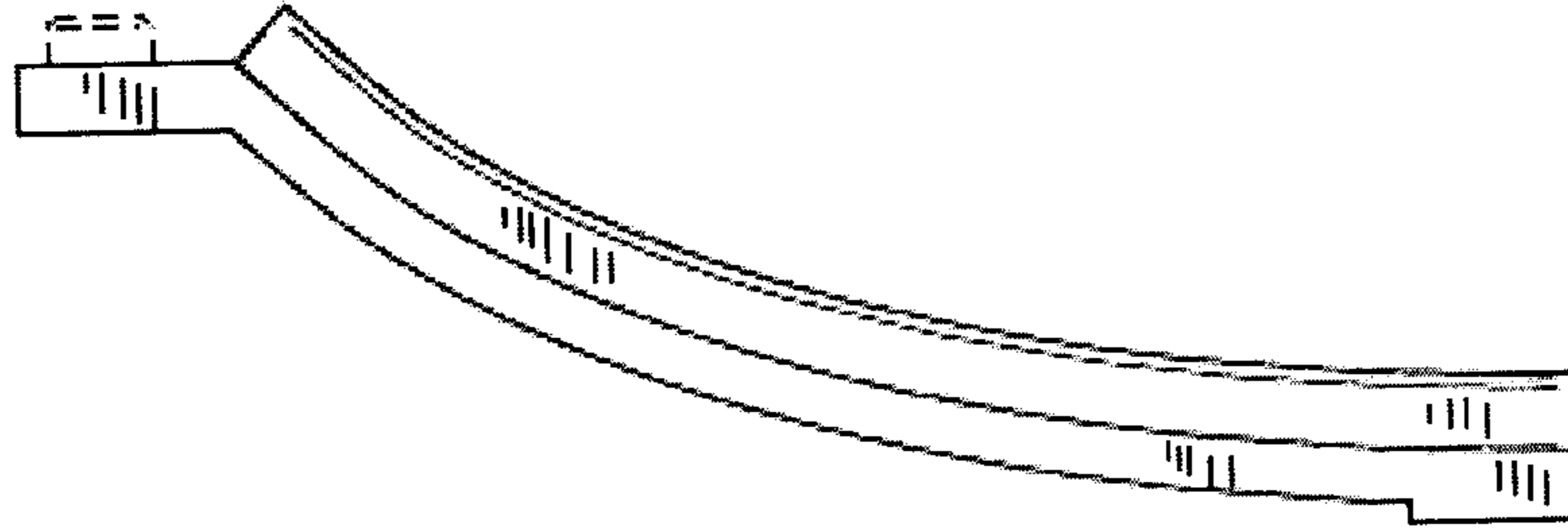


FIG.11

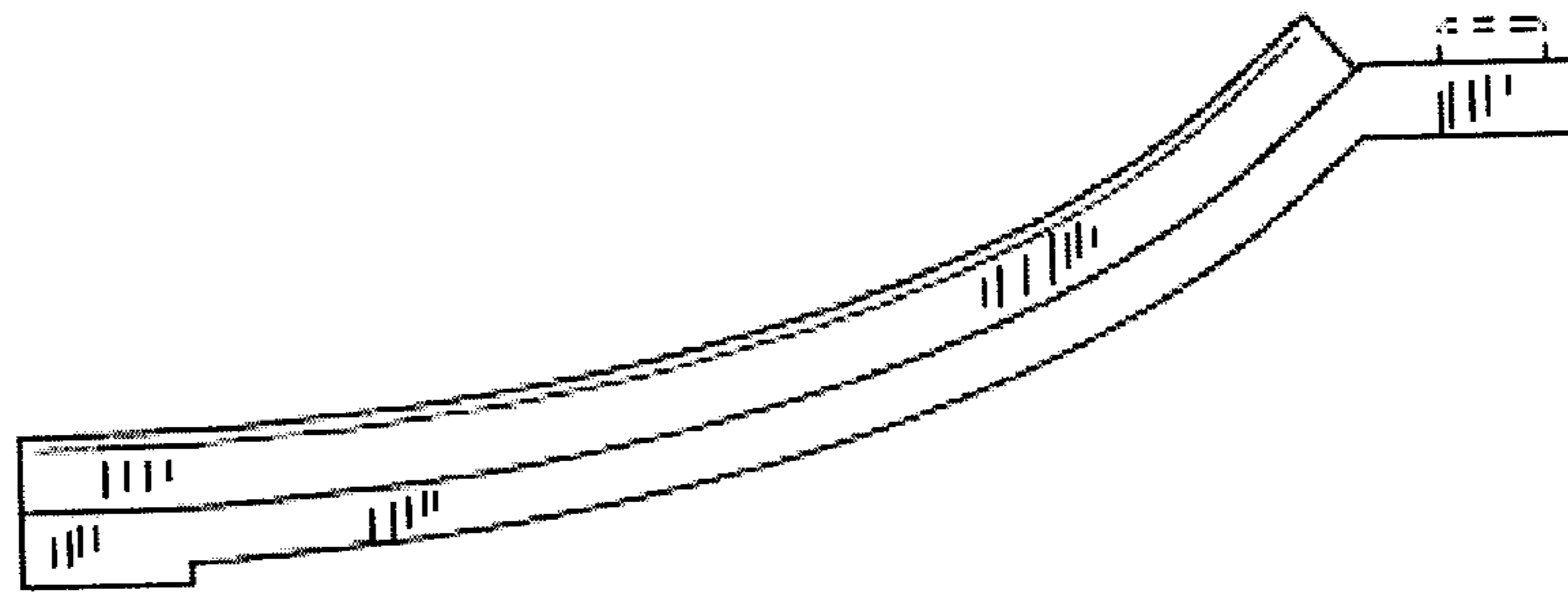


FIG.12

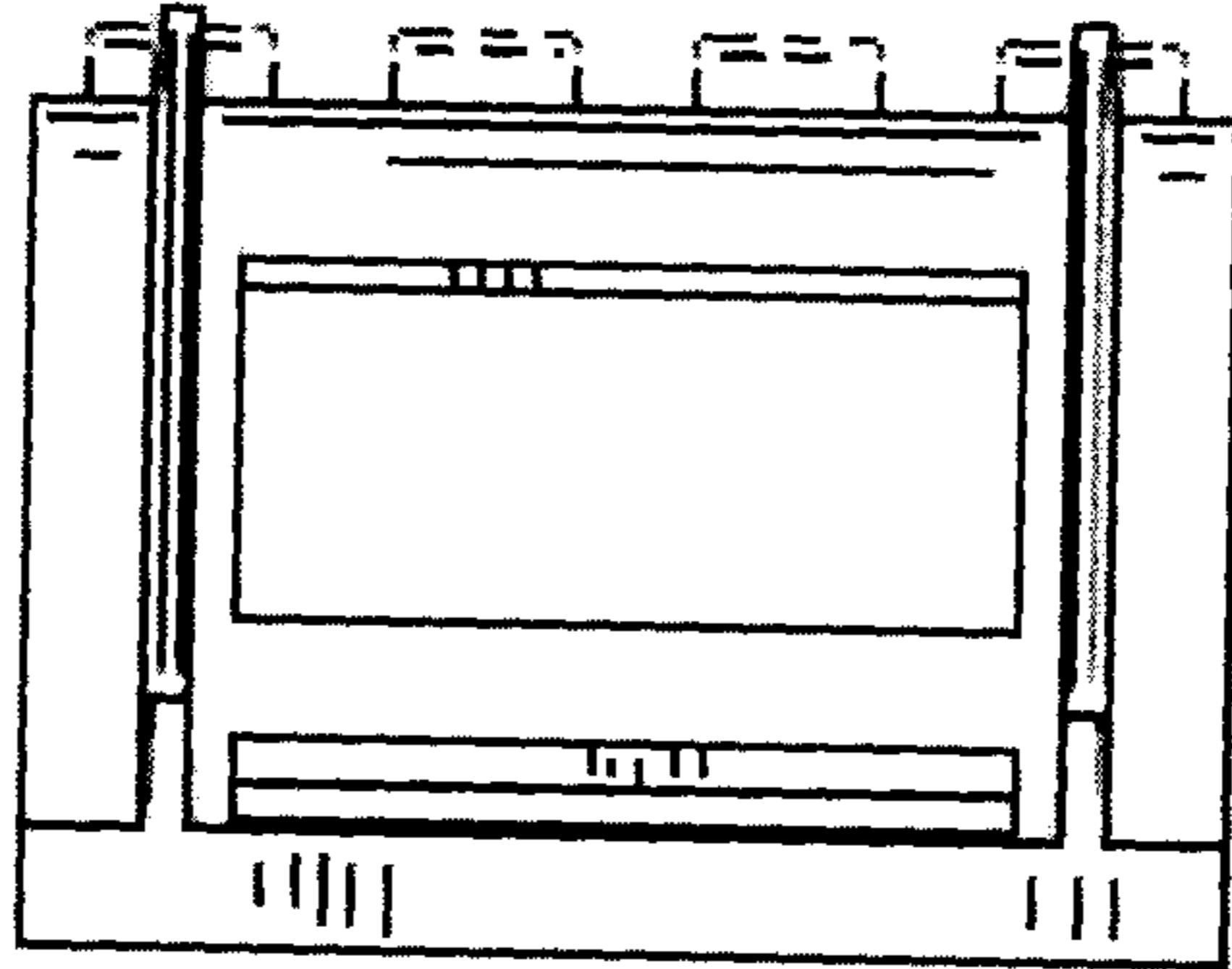


FIG. 13

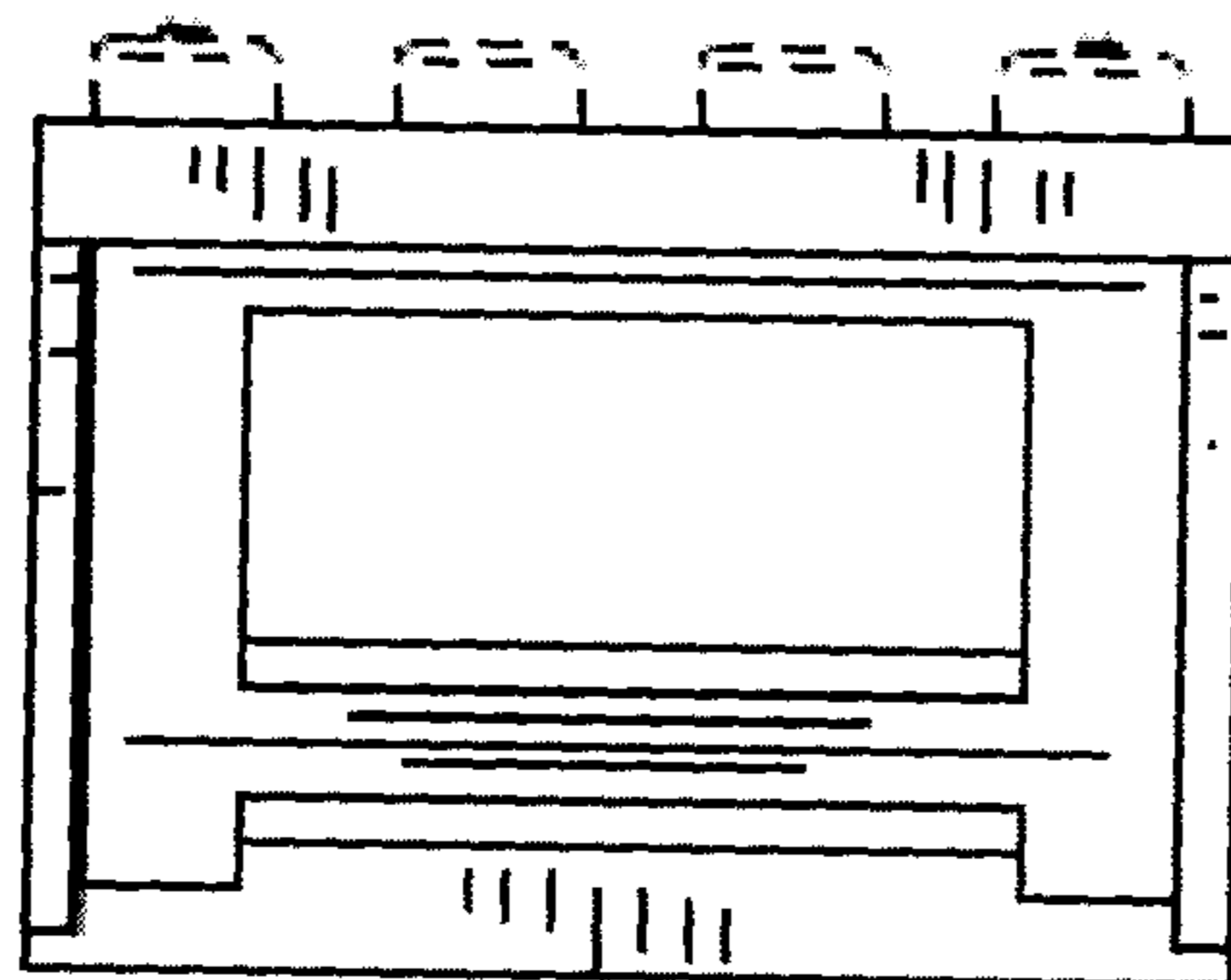


FIG. 14

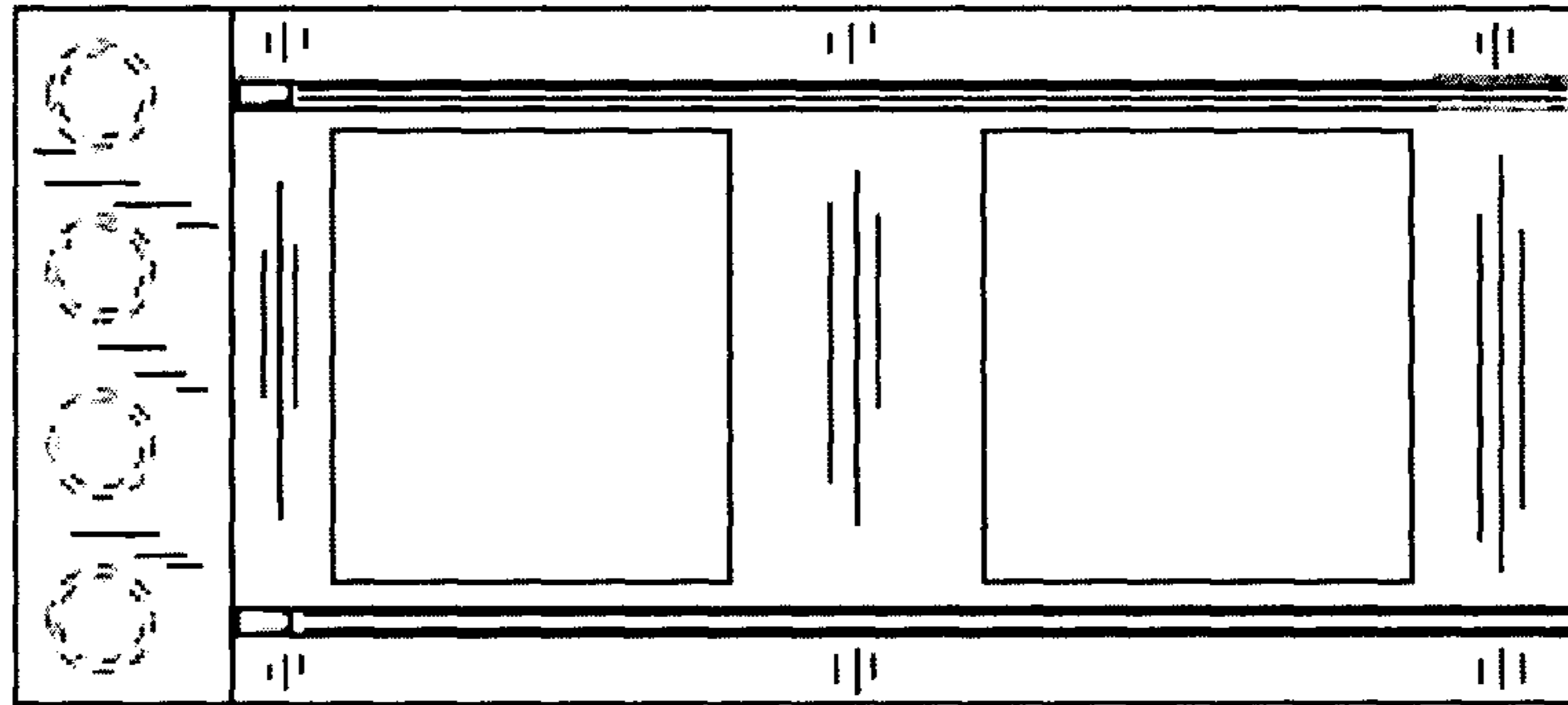


FIG. 15

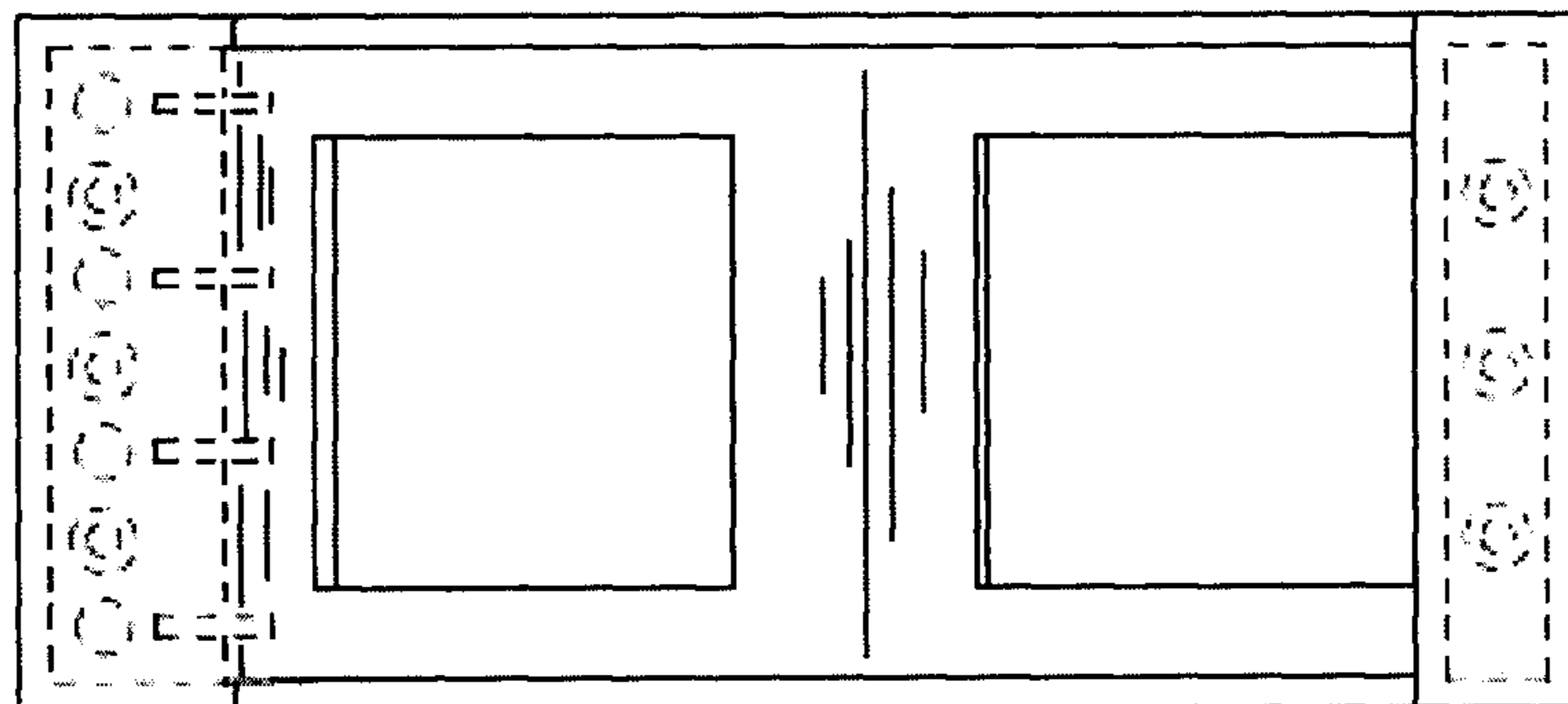


FIG. 16