



US00D718393S

(12) **United States Design Patent**
Weiss

(10) **Patent No.:** **US D718,393 S**

(45) **Date of Patent:** **** Nov. 25, 2014**

(54) **STACKABLE SLIDER TOY BLOCK**

(71) Applicant: **Drink Blocks, LLC**, Ladera Ranch, CA (US)

(72) Inventor: **Tom Weiss**, Ladera Ranch, CA (US)

(**) Term: **14 Years**

(21) Appl. No.: **29/473,136**

(22) Filed: **Nov. 19, 2013**

(51) **LOC (10) Cl.** **21-01**

(52) **U.S. Cl.**
USPC **D21/500**

(58) **Field of Classification Search**

USPC D21/484–505; 446/69, 85, 102–128;
434/208, 259, 403; 273/153, 156, 160;
D25/113–116, 118; D9/636, 743, 745
See application file for complete search history.

(56) **References Cited**

U.S. PATENT DOCUMENTS

1,009,469	A *	11/1911	Burrowes	446/149
1,182,980	A *	5/1916	Converse	446/121
2,132,757	A *	10/1938	Paulson	446/124
3,534,518	A *	10/1970	Zagray	52/258
D235,570	S *	6/1975	Barton	D21/499
D238,168	S *	12/1975	Ketcham	D25/113
4,656,840	A *	4/1987	Loofbourrow et al.	220/23.4
D333,978	S *	3/1993	Zutler	D9/743
D346,666	S *	5/1994	Newsom	D25/113
D349,046	S *	7/1994	Brown	D9/636
D350,784	S *	9/1994	Nielsen et al.	D21/499
D371,281	S *	7/1996	Credle, Jr.	D21/500
D394,987	S *	6/1998	Credle, Jr.	D21/484
D524,873	S *	7/2006	Wickens	D21/373
7,198,270	B1 *	4/2007	Bishop	273/156
7,946,090	B1 *	5/2011	Walters et al.	52/592.6

* cited by examiner

Primary Examiner — Cynthia M Chin

(74) *Attorney, Agent, or Firm* — David G. Duckworth; Russo & Duckworth, LLP

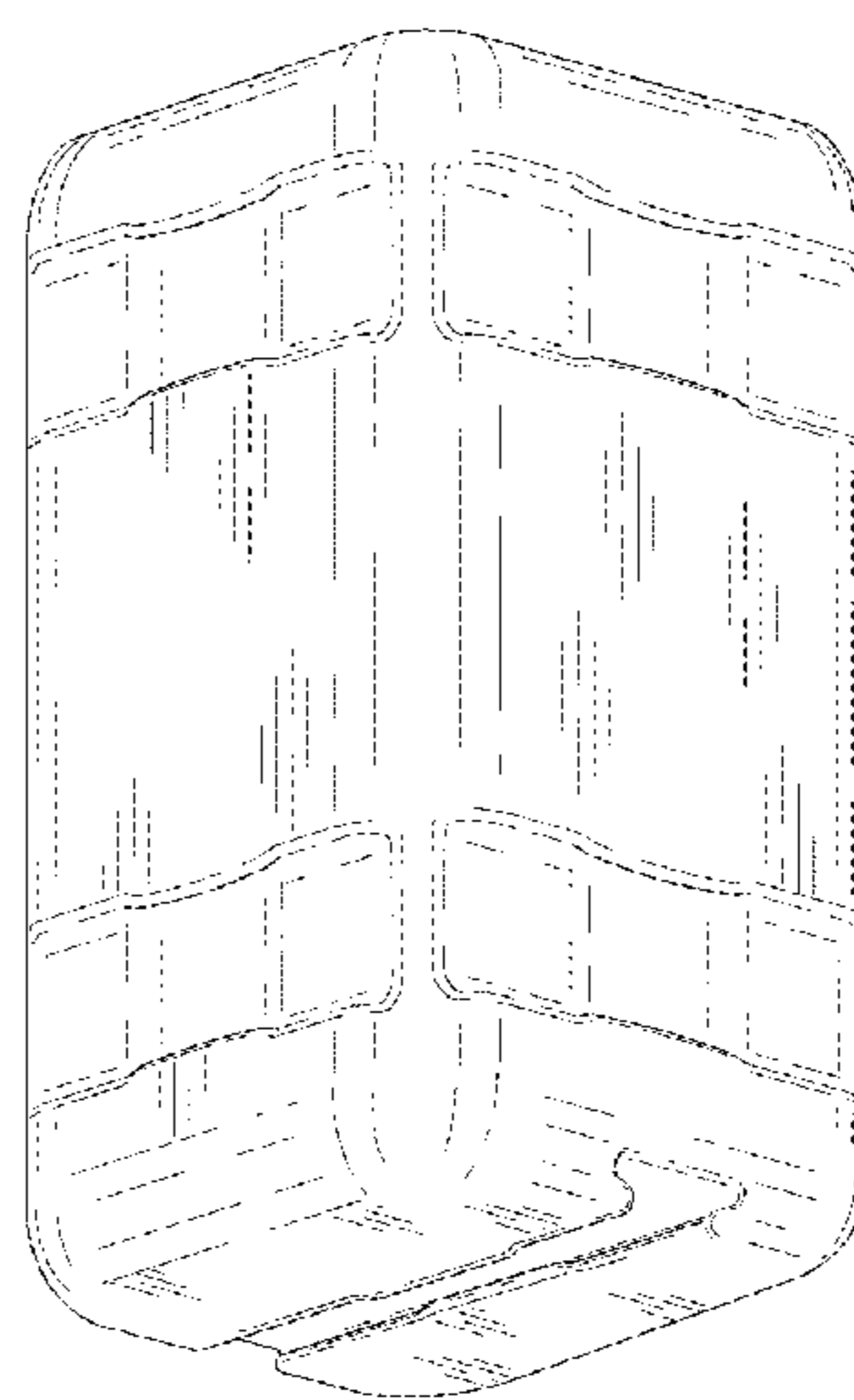
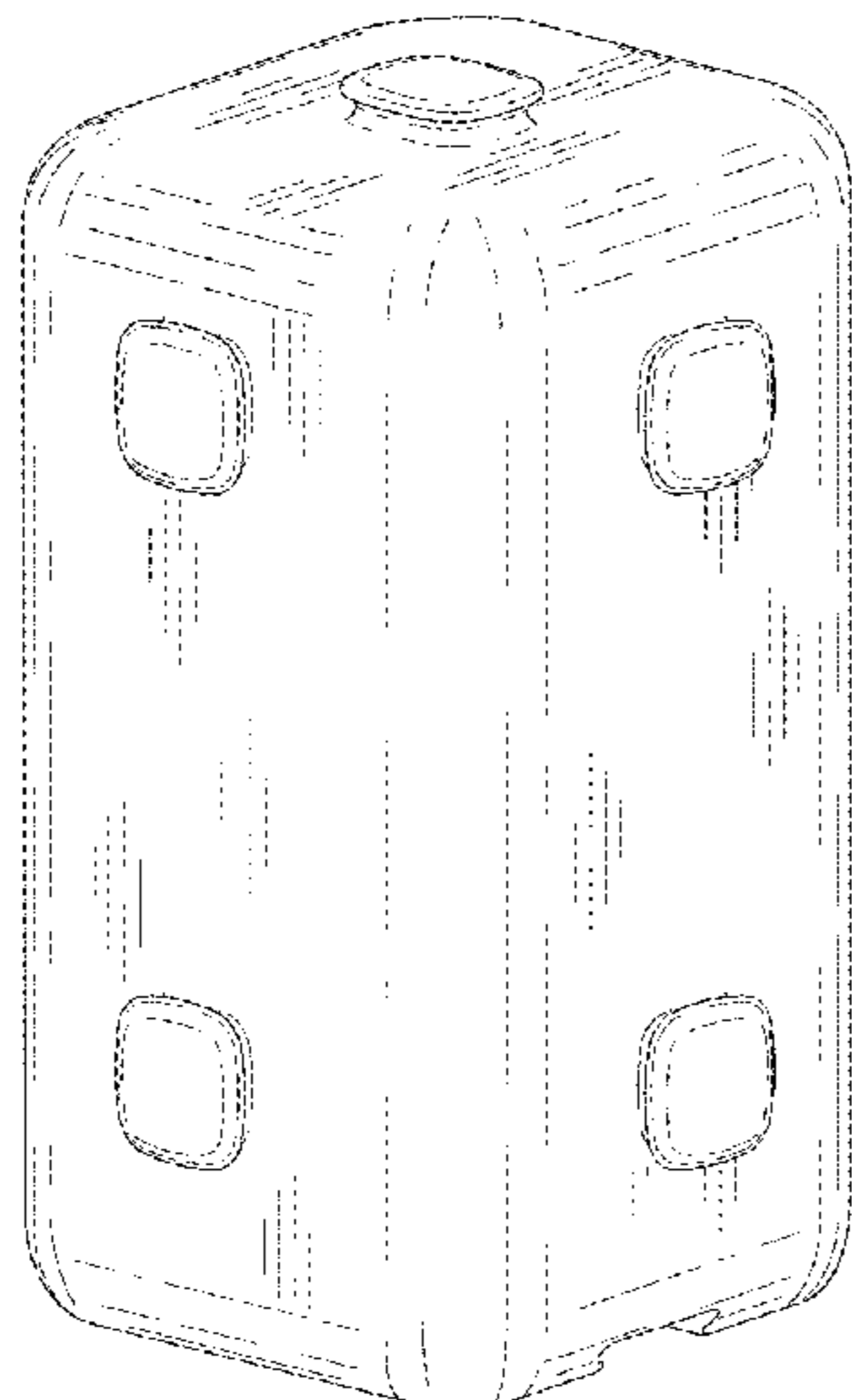
(57) **CLAIM**

The ornamental design for a stackable slider toy block, as shown and described.

DESCRIPTION

FIG. 1 is a top, right, front perspective view of the stackable slider toy block of my design;
FIG. 2 is a bottom, rear, left perspective view thereof;
FIG. 3 is a left elevation view thereof;
FIG. 4 is a right elevation view thereof;
FIG. 5 is a rear elevation view thereof;
FIG. 6 is a front elevation view thereof;
FIG. 7 is a top plan view thereof;
FIG. 8 is a bottom plan view thereof;
FIG. 9 is an environmental elevation view of the stackable toy block in a stacked condition;
FIG. 10 is an environmental top perspective view of the stackable toy block in a stacked condition;
FIG. 11 is an environmental top perspective view of the stackable toy block in a stacked condition;
FIG. 12 is an environmental top perspective view of the stackable toy block in a stacked condition; and,
FIG. 13 is an environmental top perspective view of the stackable toy block in a stacked condition.
The broken lines shown represent unclaimed subject matter and form no part of the claimed invention.

1 Claim, 8 Drawing Sheets



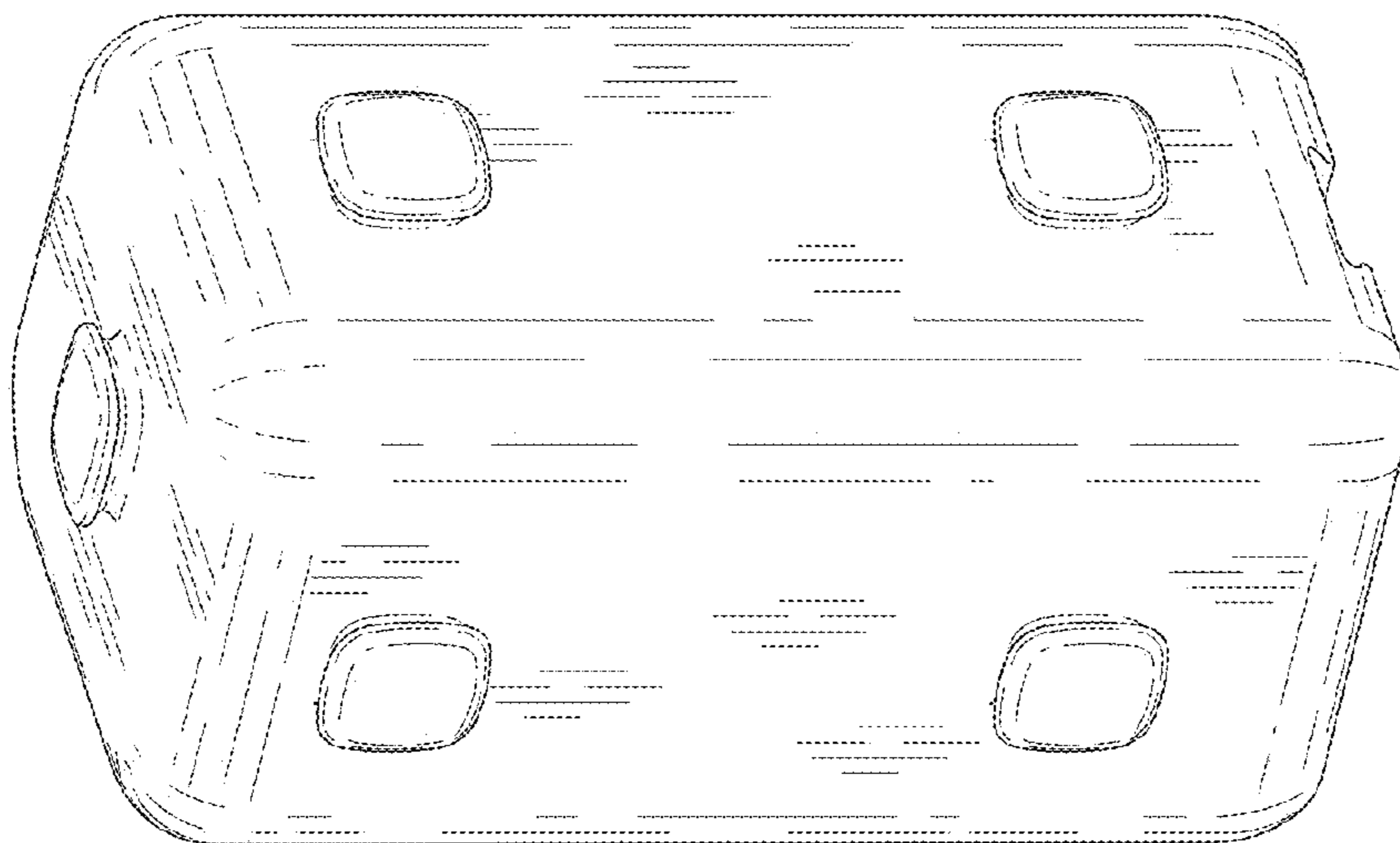


Fig. 1

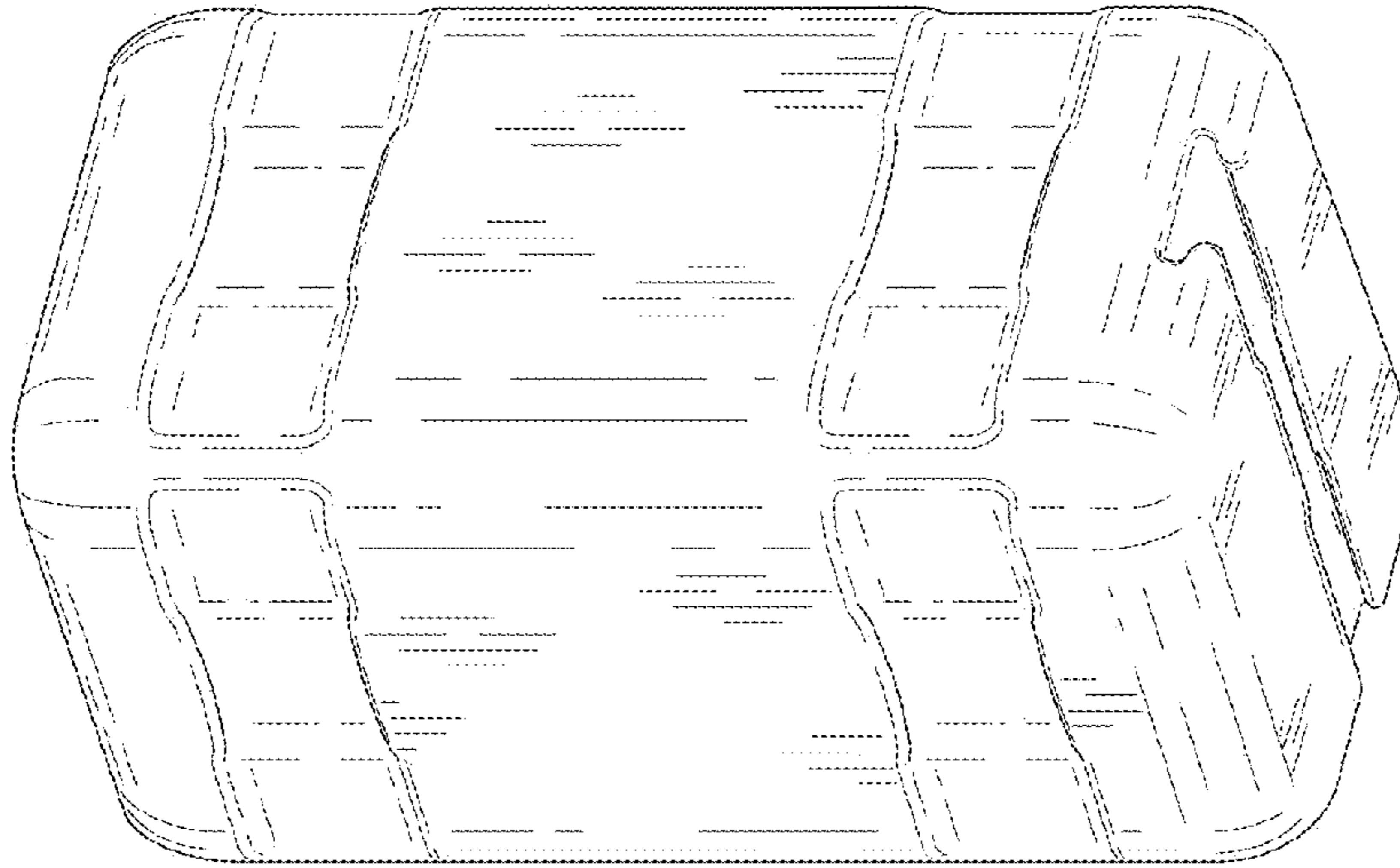


Fig. 2

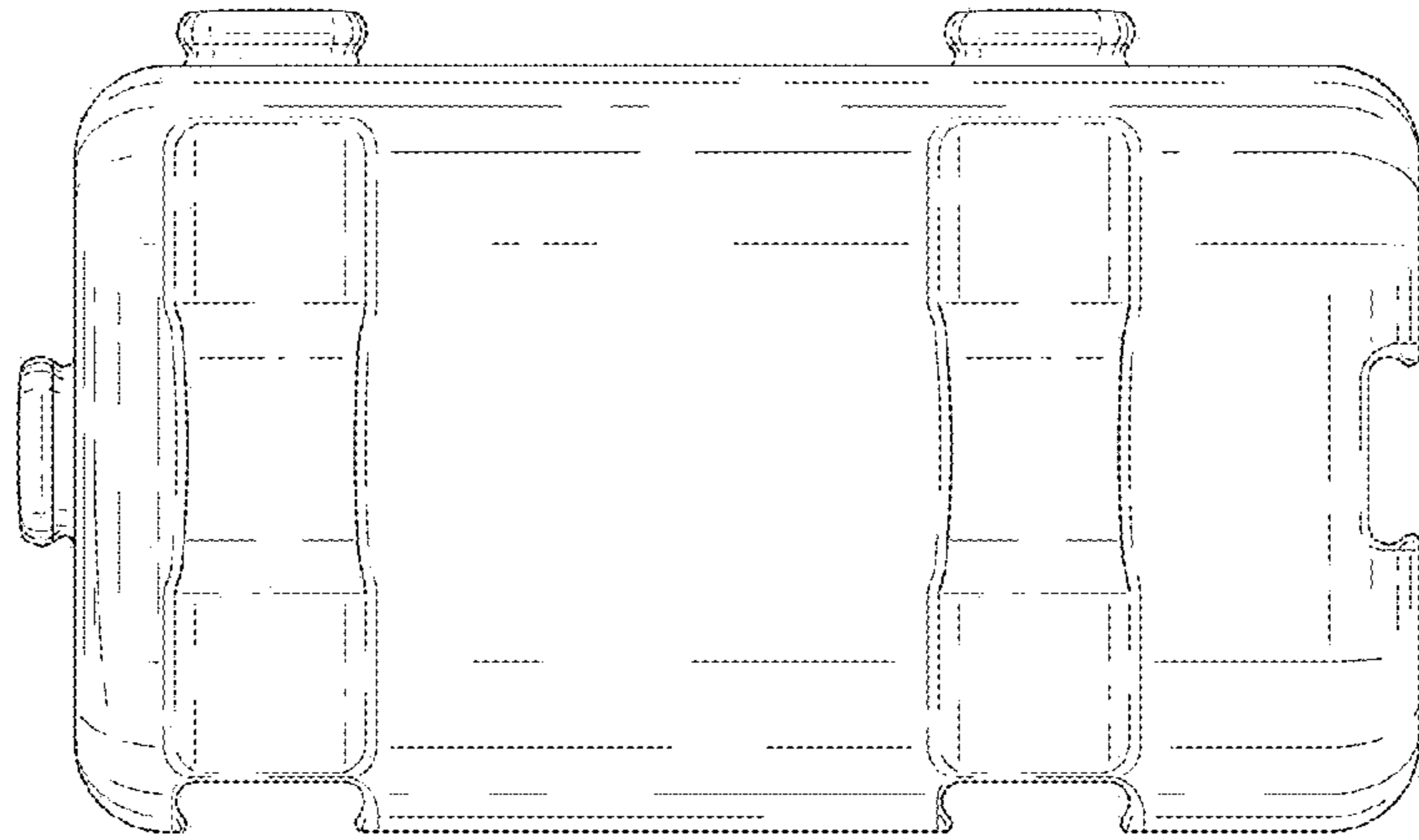


Fig. 3

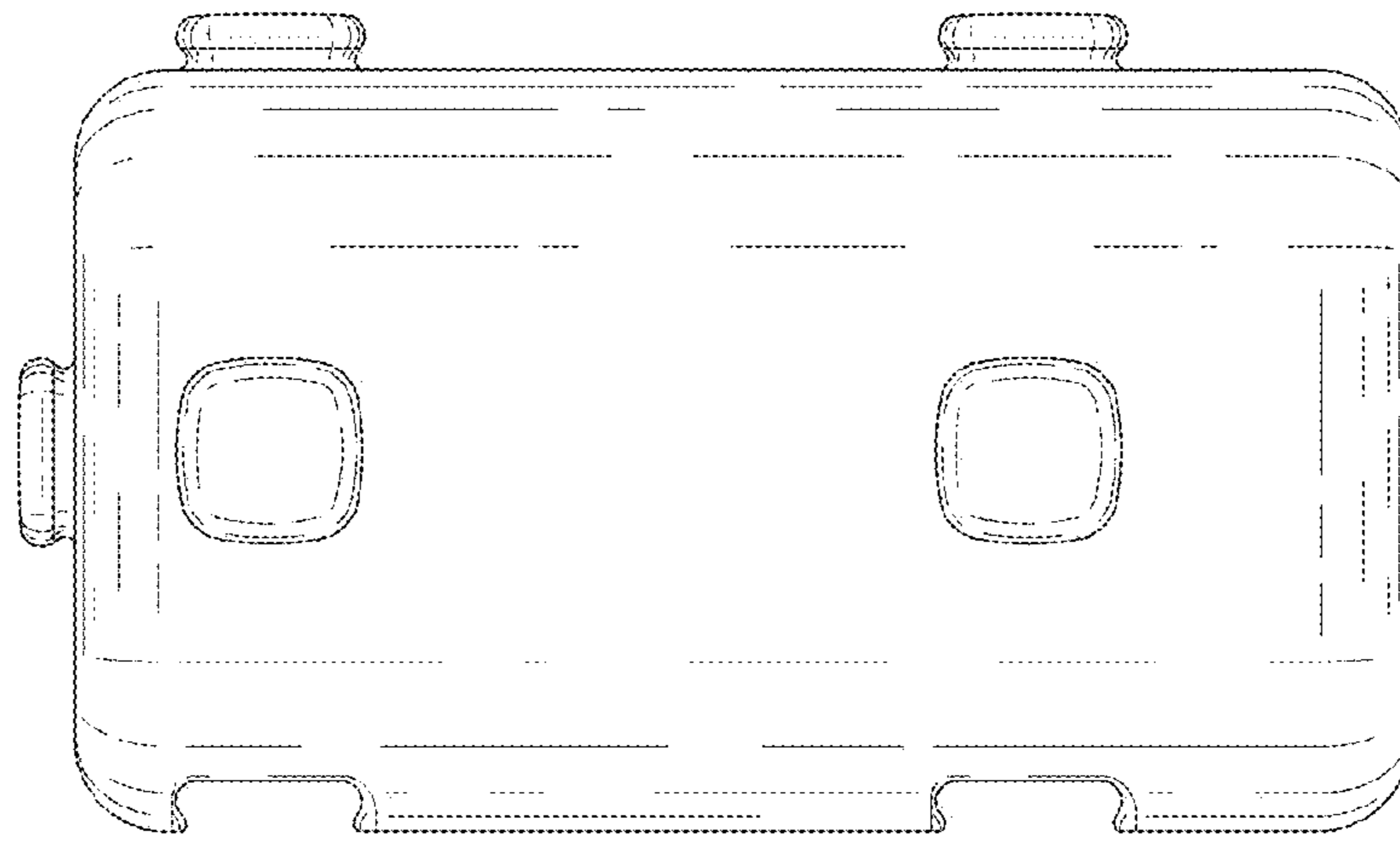


Fig. 4

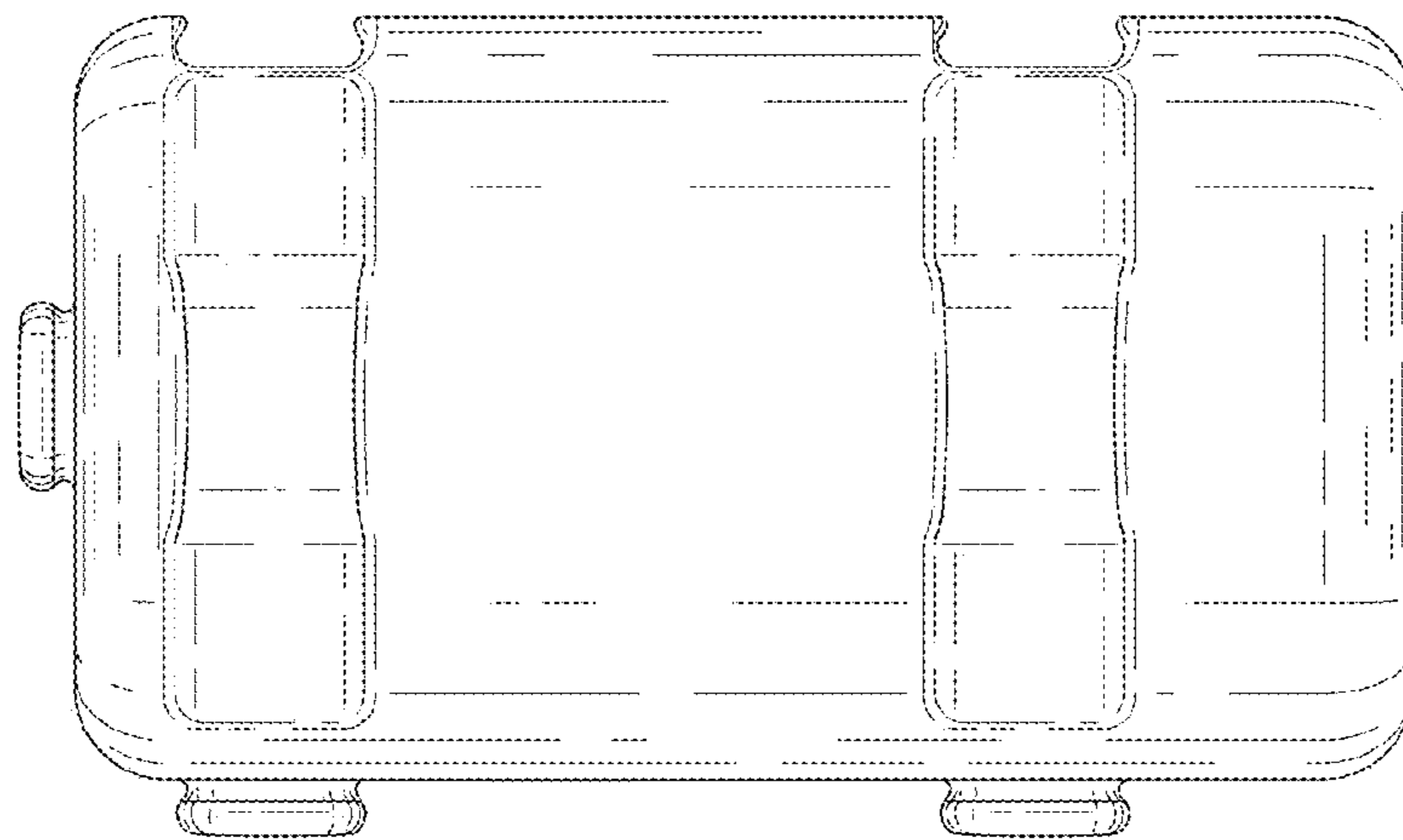


Fig. 5

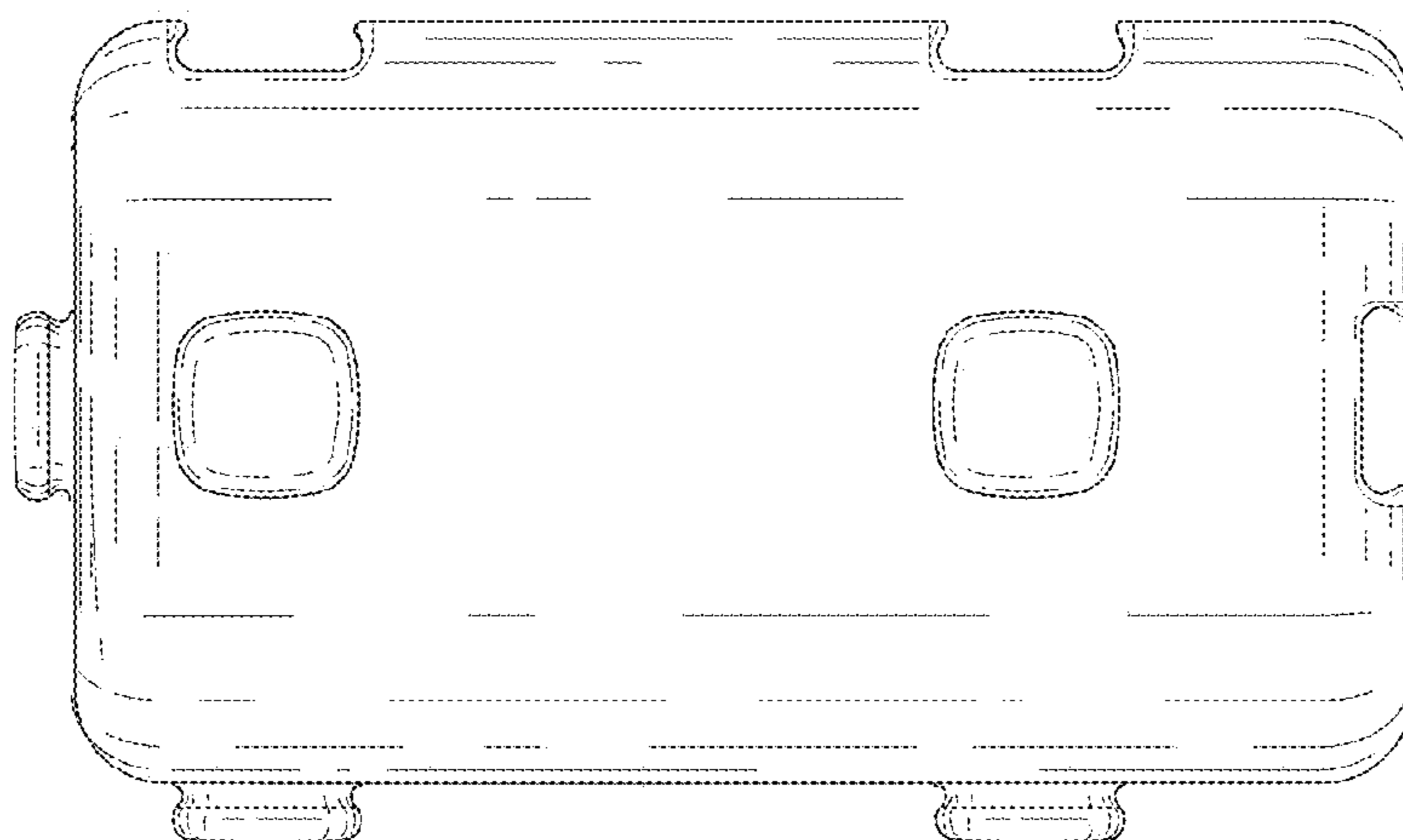


Fig. 6

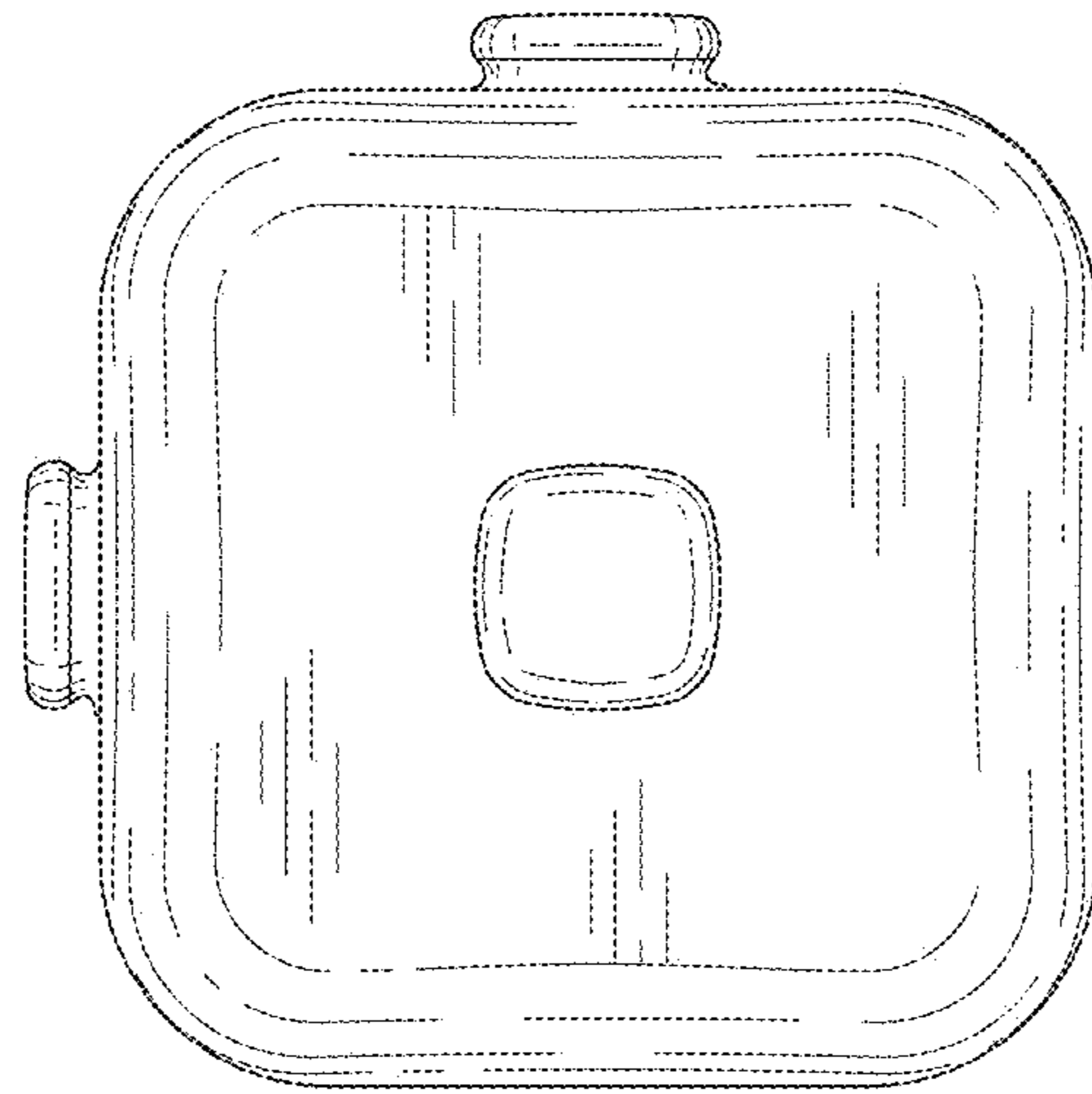


Fig. 7

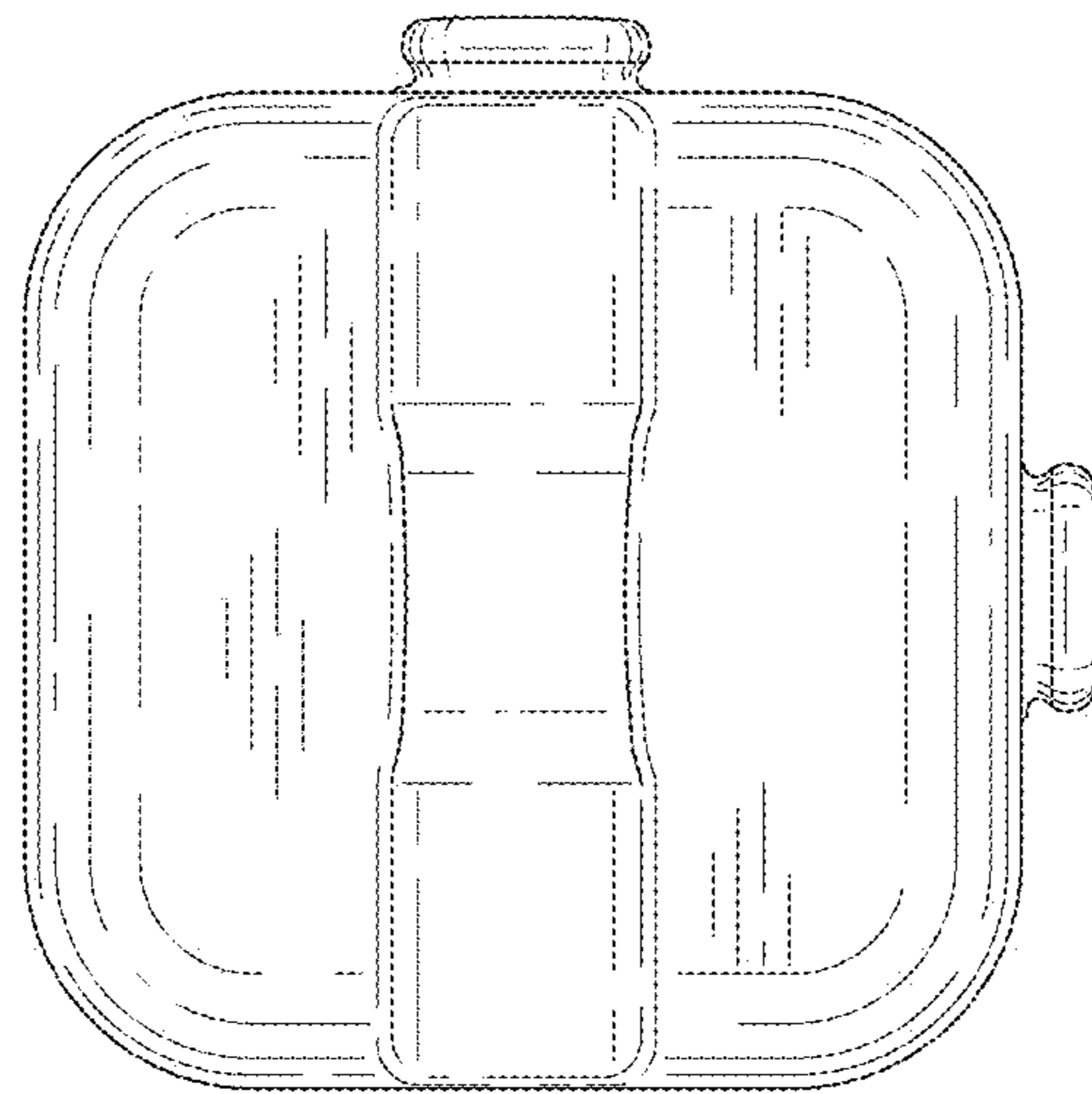


Fig. 8

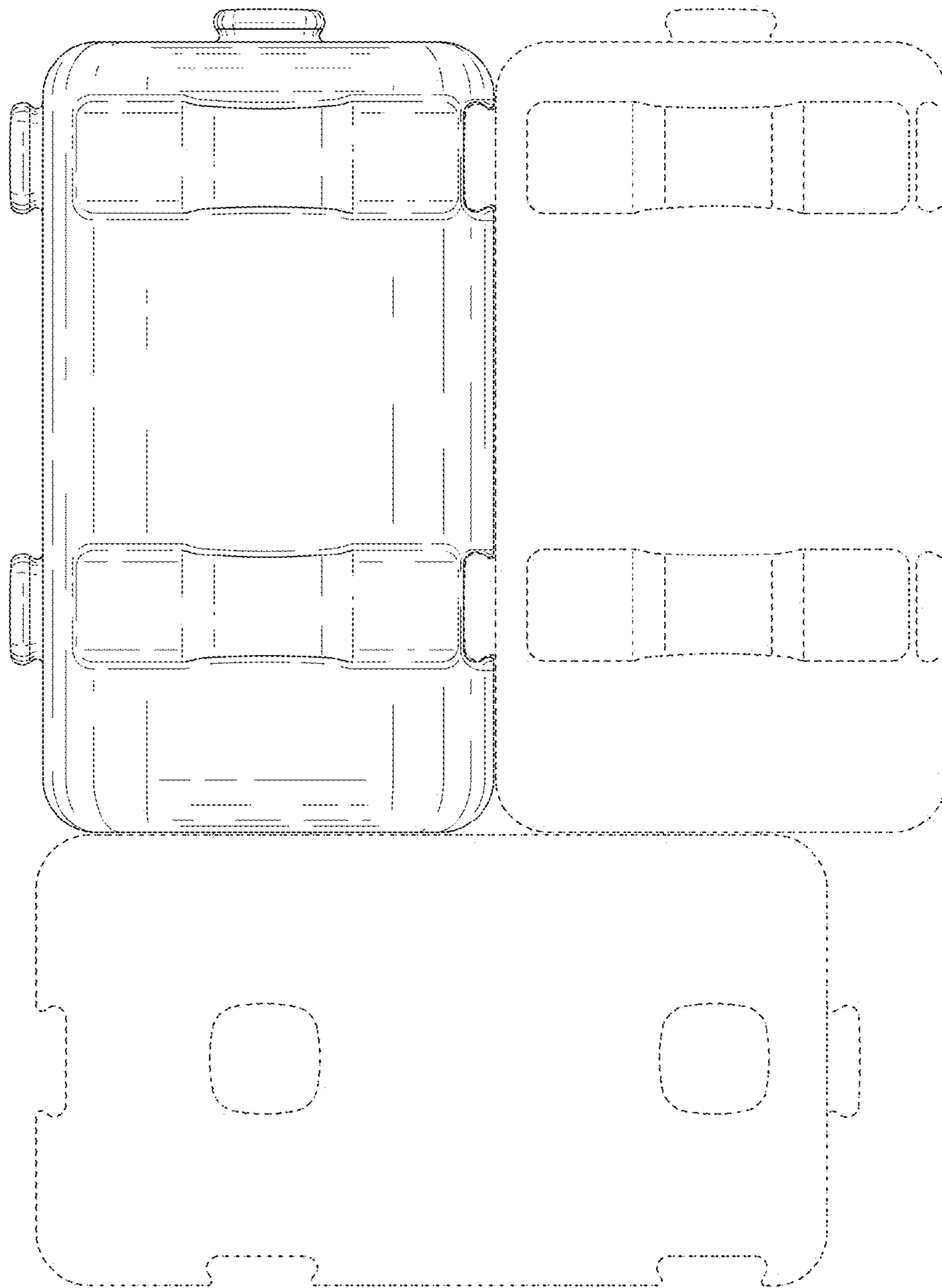


Fig. 9

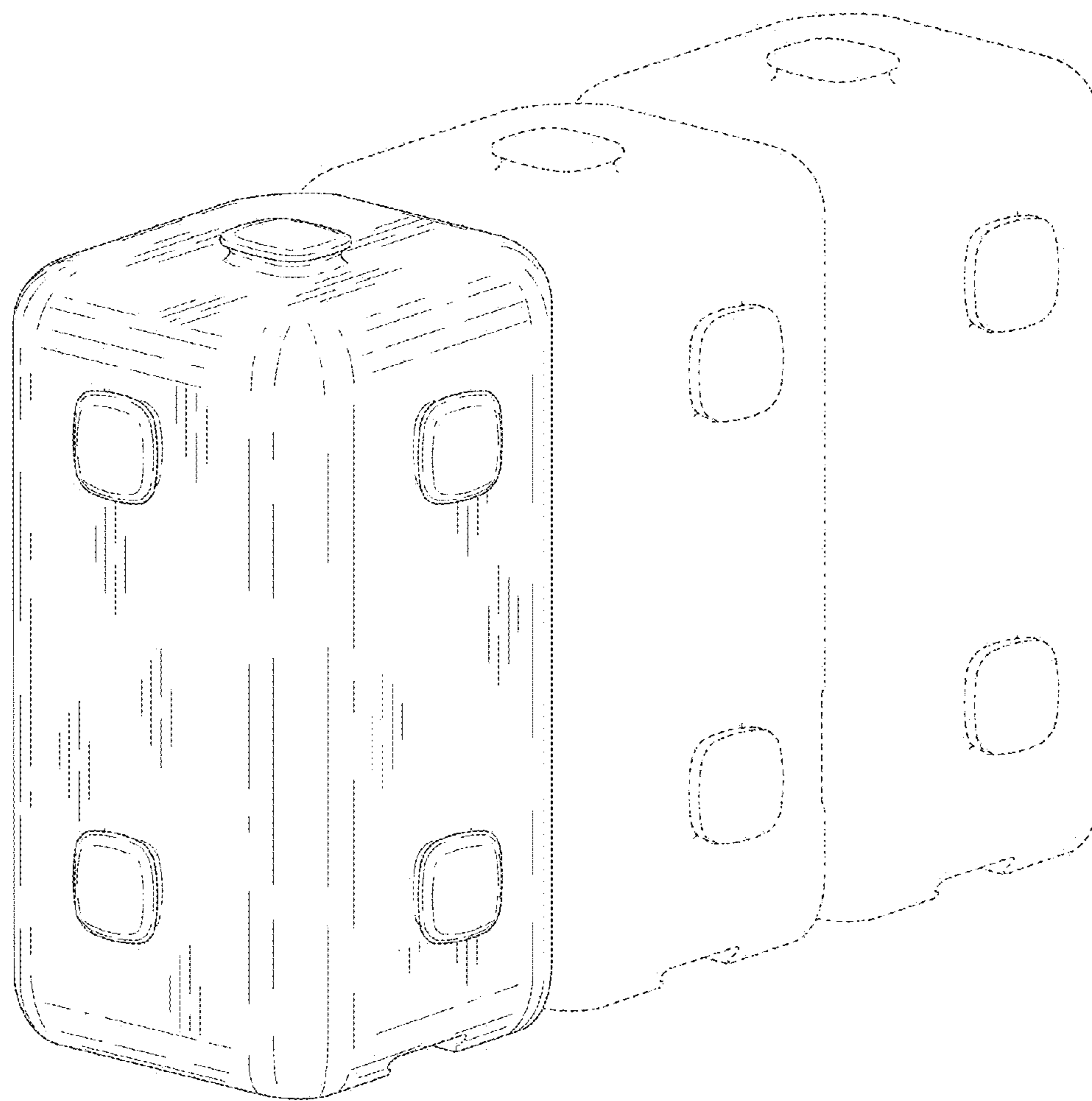


Fig. 10

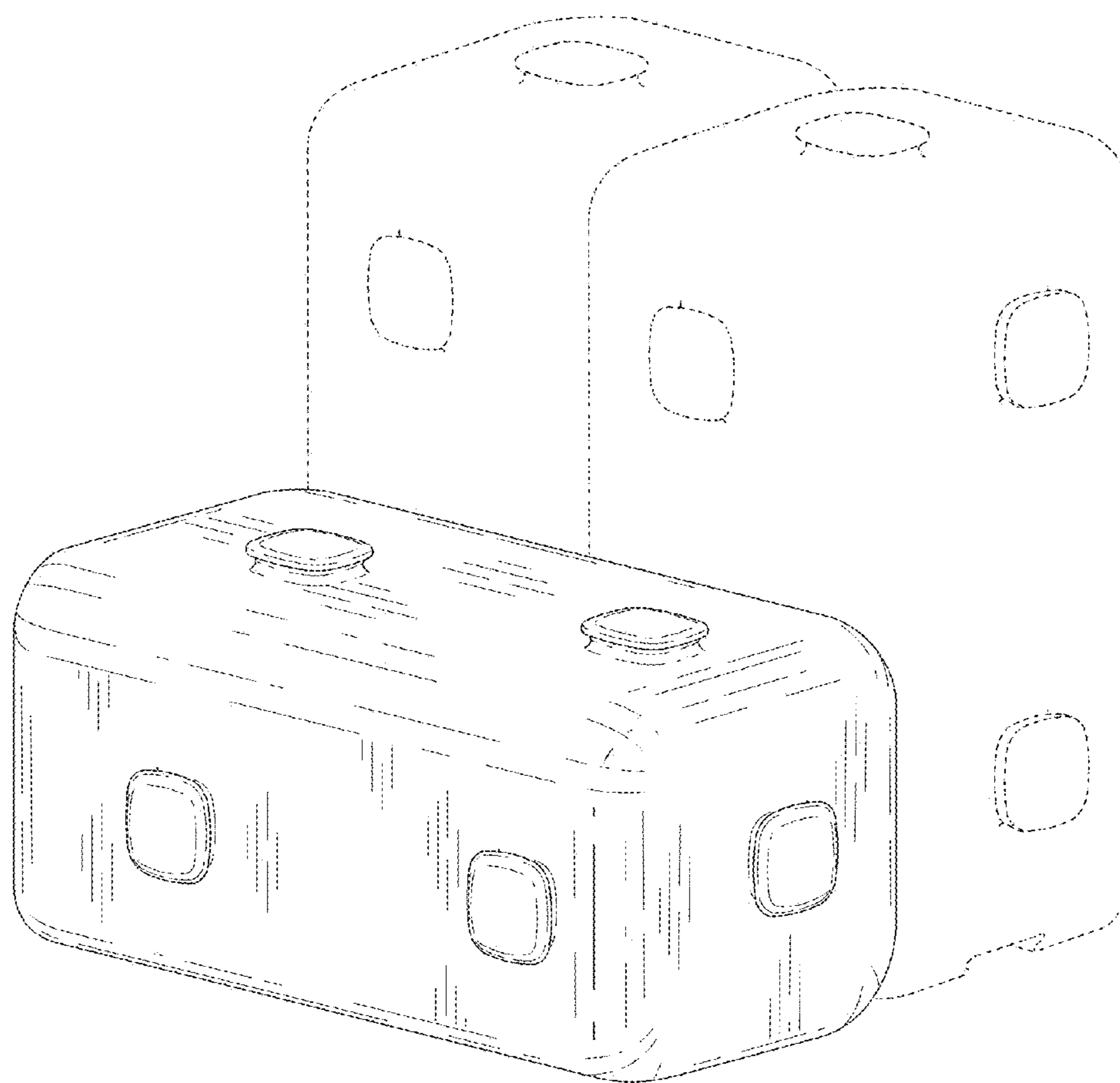


Fig. 11

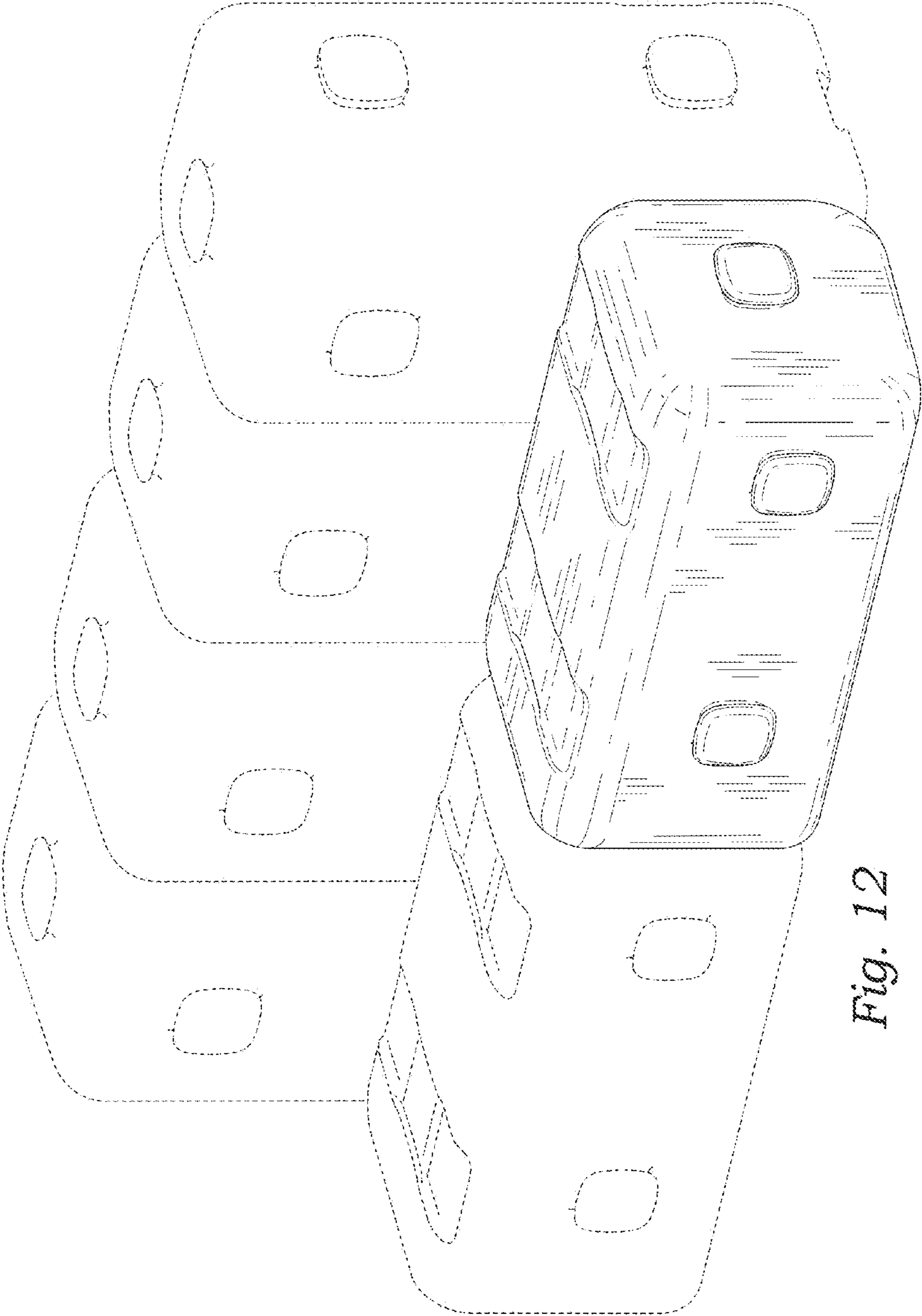


Fig. 12

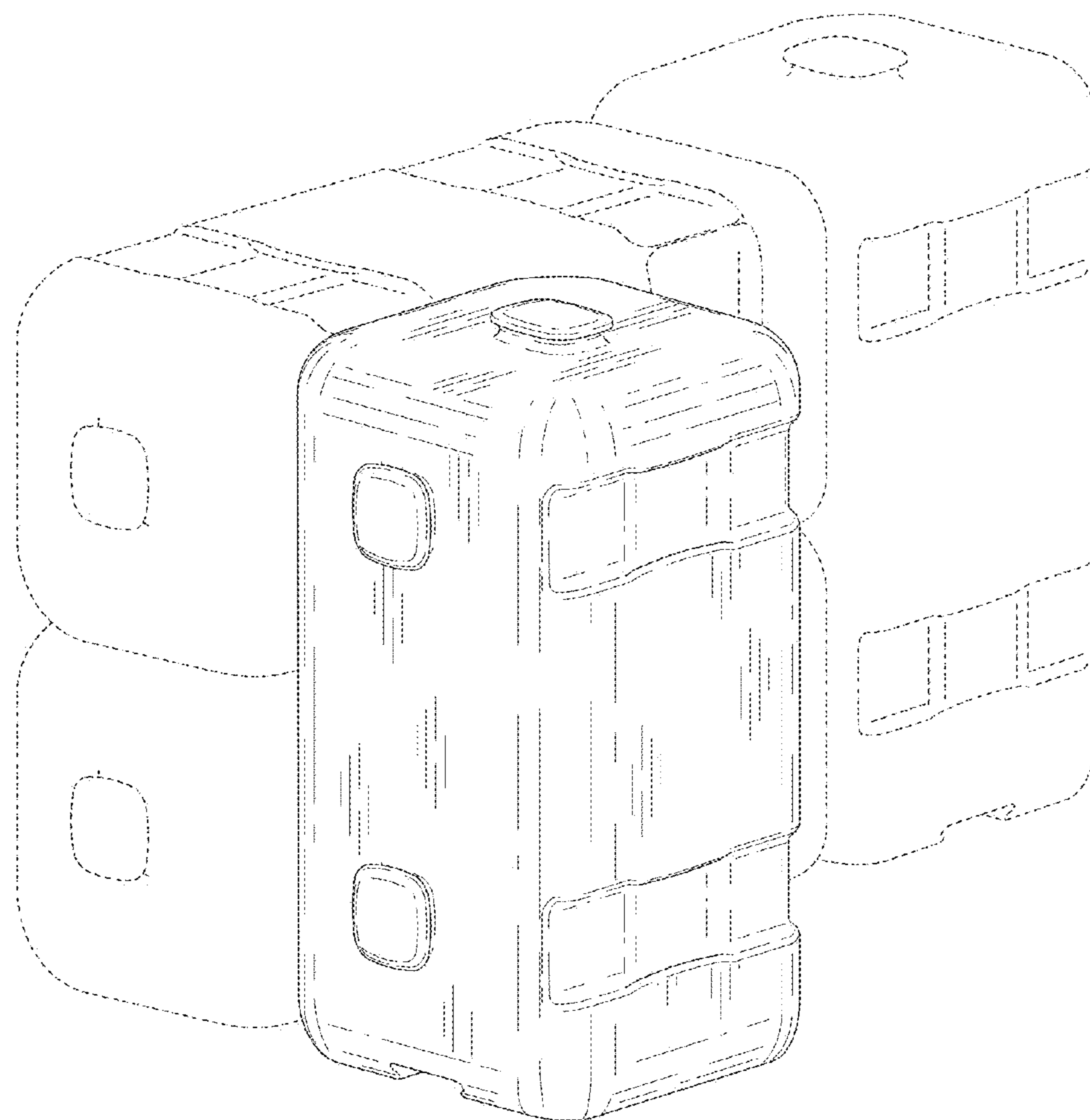


Fig. 13