



US00D718392S

(12) **United States Design Patent**  
**Weiss**

(10) **Patent No.:** **US D718,392 S**

(45) **Date of Patent:** **\*\* Nov. 25, 2014**

(54) **STACKABLE SLIDER TOY BLOCK**

(71) Applicant: **Drink Blocks, LLC**, Ladera Ranch, CA (US)

(72) Inventor: **Tom Weiss**, Ladera Ranch, CA (US)

(\*\*) Term: **14 Years**

(21) Appl. No.: **29/473,132**

(22) Filed: **Nov. 19, 2013**

(51) **LOC (10) Cl.** ..... **21-01**

(52) **U.S. Cl.**  
USPC ..... **D21/500**

(58) **Field of Classification Search**

USPC ..... D21/386, 389, 404, 468, 470, 471,  
D21/484-505; 446/69, 85, 102-128;  
434/208, 259, 403; 273/153, 156, 160;  
D25/113-116, 118; D9/636, 743, 745

See application file for complete search history.

(56) **References Cited**

**U.S. PATENT DOCUMENTS**

1,009,469	A	*	11/1911	Burrowes	.....	446/149
1,182,980	A	*	5/1916	Converse	.....	446/121
2,132,757	A	*	10/1938	Paulson	.....	446/124
3,534,518	A	*	10/1970	Zagray	.....	52/258
D235,570	S	*	6/1975	Barton	.....	D21/499
D238,168	S	*	12/1975	Ketcham	.....	D25/113
4,656,840	A	*	4/1987	Loofbourrow et al.	.....	220/23.4
D333,978	S	*	3/1993	Zutler	.....	D9/743
D346,666	S	*	5/1994	Newsom	.....	D25/113
D349,046	S	*	7/1994	Brown	.....	D9/636
D350,784	S	*	9/1994	Nielsen et al.	.....	D21/499
D371,281	S	*	7/1996	Credle, Jr.	.....	D21/500

D394,987	S	*	6/1998	Credle, Jr.	.....	D21/484
D524,873	S	*	7/2006	Wickens	.....	D21/373
7,198,270	B1	*	4/2007	Bishop	.....	273/156
7,946,090	B1	*	5/2011	Walters et al.	.....	52/592.6

\* cited by examiner

*Primary Examiner* — Cynthia M Chin

(74) *Attorney, Agent, or Firm* — David G. Duckworth;  
Russo & Duckworth, LLP

(57) **CLAIM**

The ornamental design for a stackable slider toy block, as shown and described.

**DESCRIPTION**

FIG. 1 is a top, right, front perspective view of the stackable slider toy block of my design;

FIG. 2 is a bottom, right, rear perspective view thereof;

FIG. 3 is a left elevation view thereof;

FIG. 4 is a right elevation view thereof;

FIG. 5 is a front elevation view thereof;

FIG. 6 is a back elevation view thereof;

FIG. 7 is a top plan view thereof;

FIG. 8 is a bottom plan view thereof;

FIG. 9 is an environmental elevation view of the stackable toy block in a stacked condition;

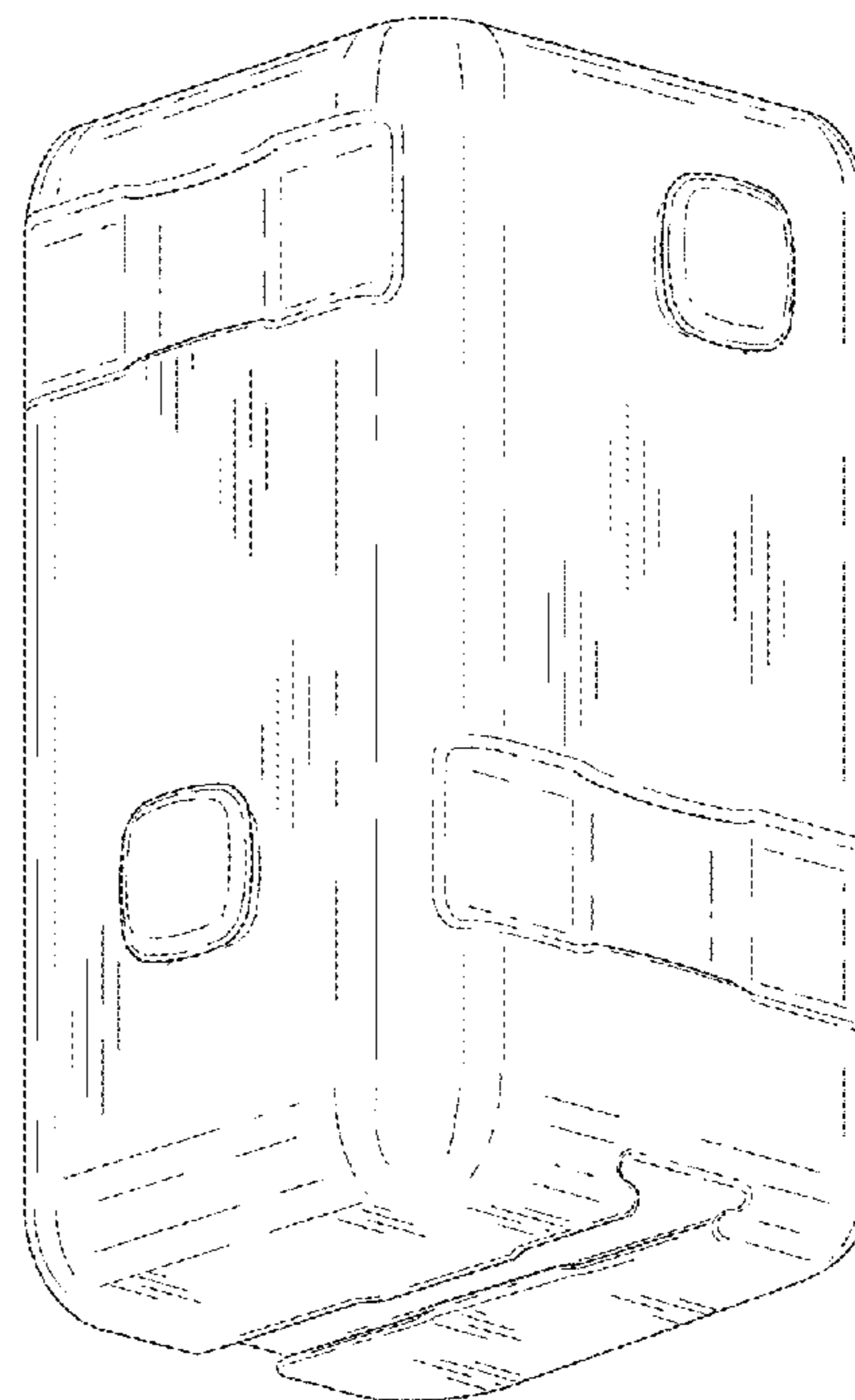
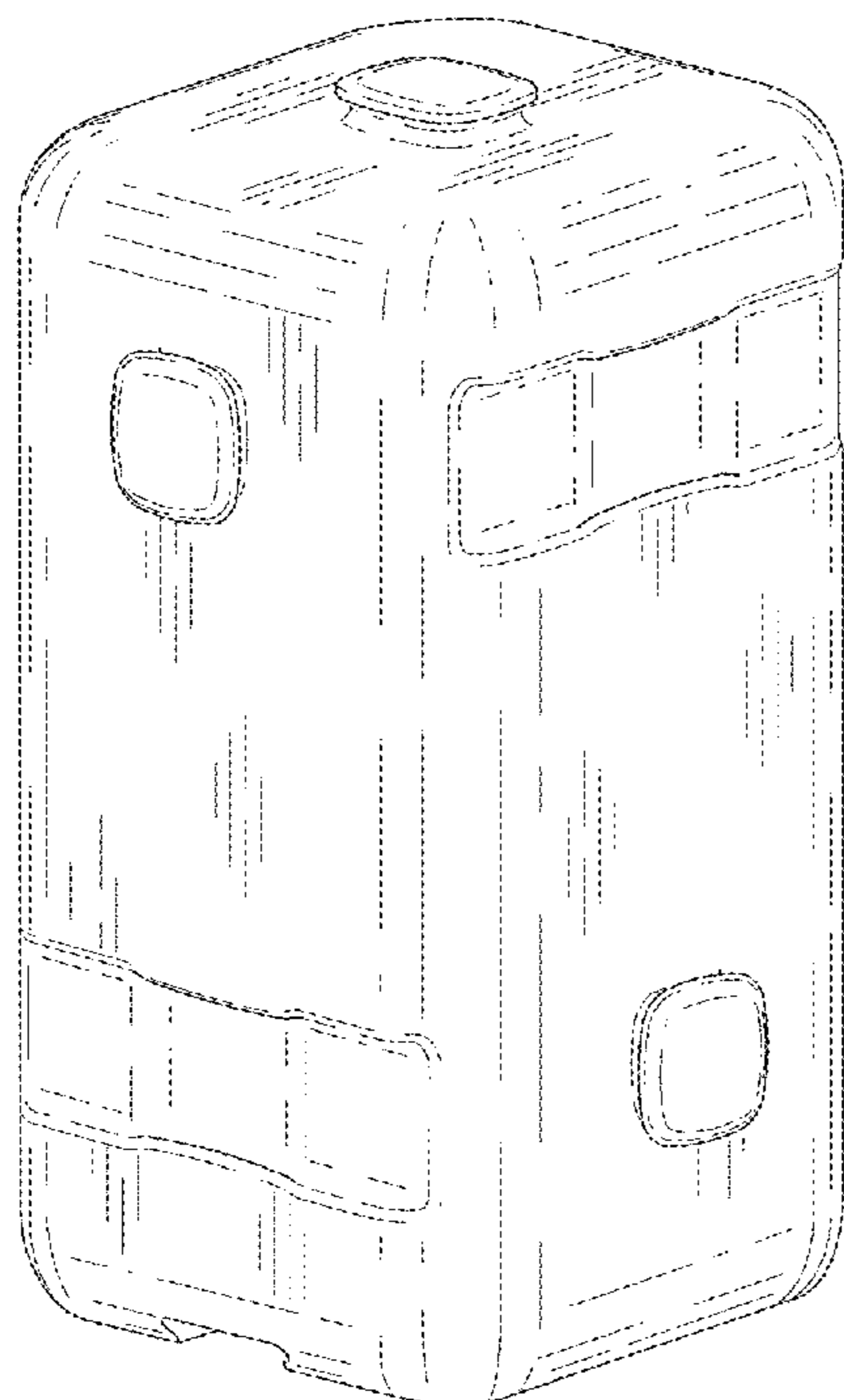
FIG. 10 is an environmental top perspective view of the stackable toy block in a stacked condition;

FIG. 11 is an environmental top perspective view of the stackable toy block in a stacked condition; and,

FIG. 12 is an environmental top perspective view of the stackable toy block in a stacked condition.

The broken lines shown represent unclaimed subject matter and form no part of the claimed design.

**1 Claim, 7 Drawing Sheets**



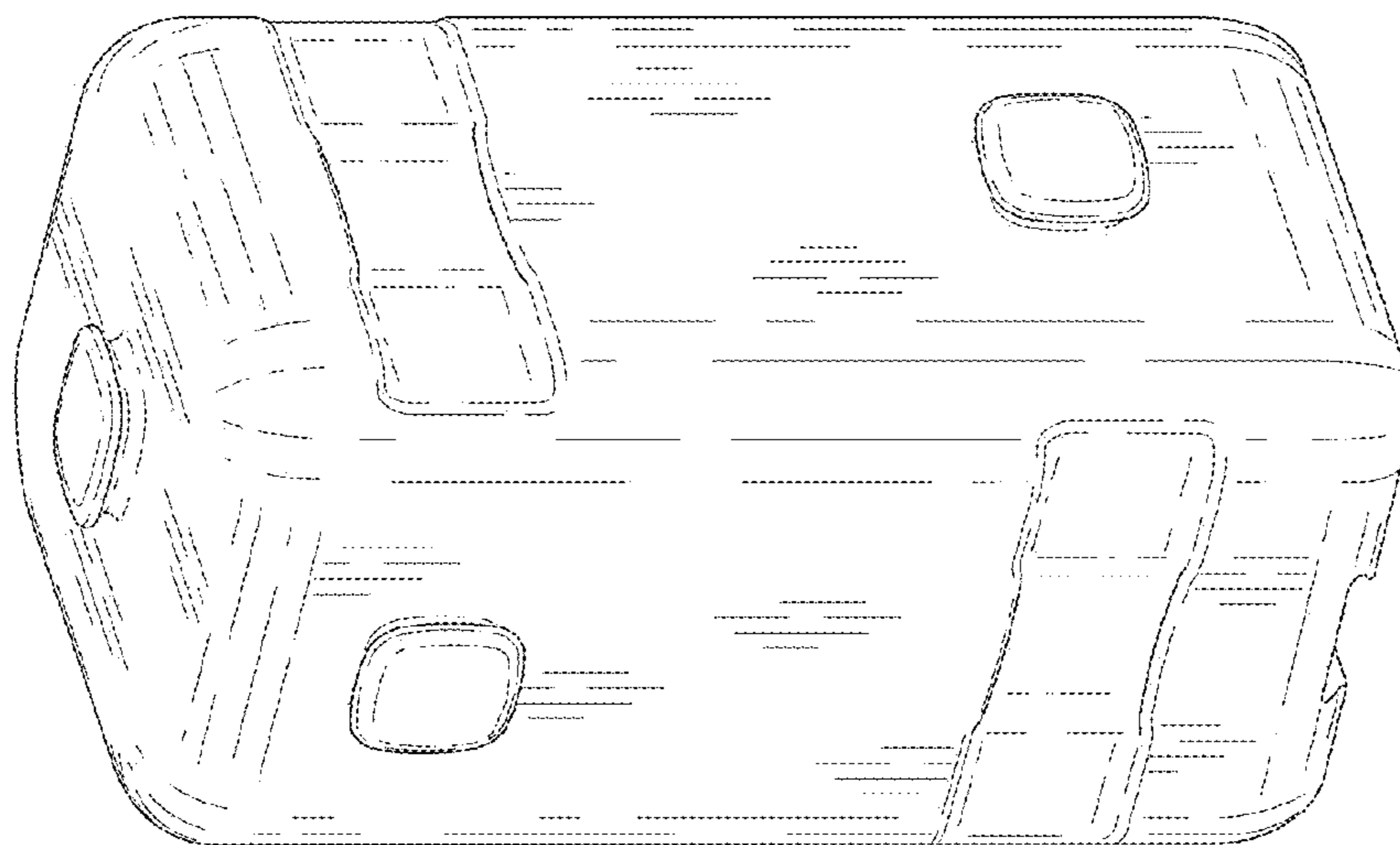


Fig. 1

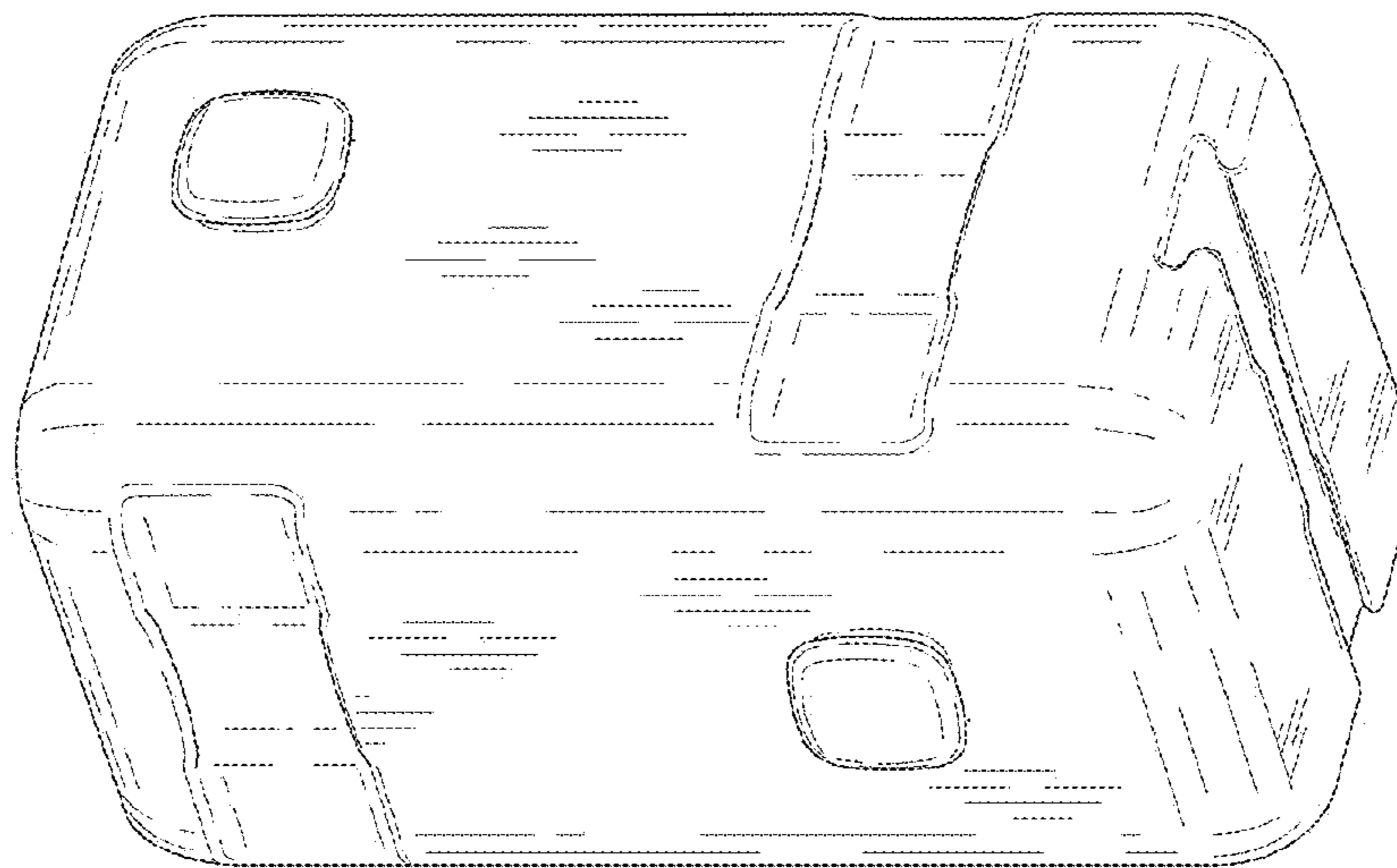


Fig. 2

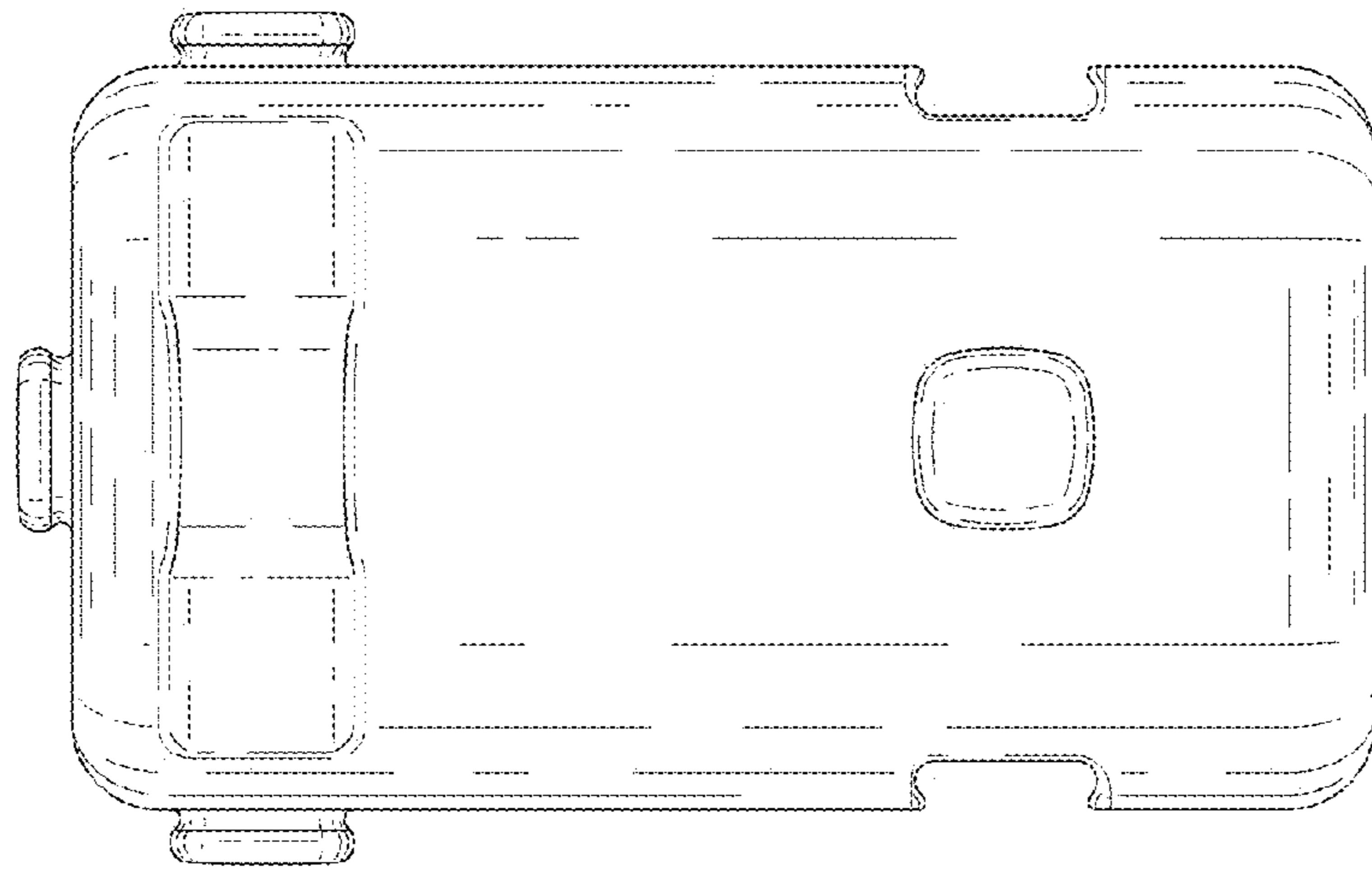
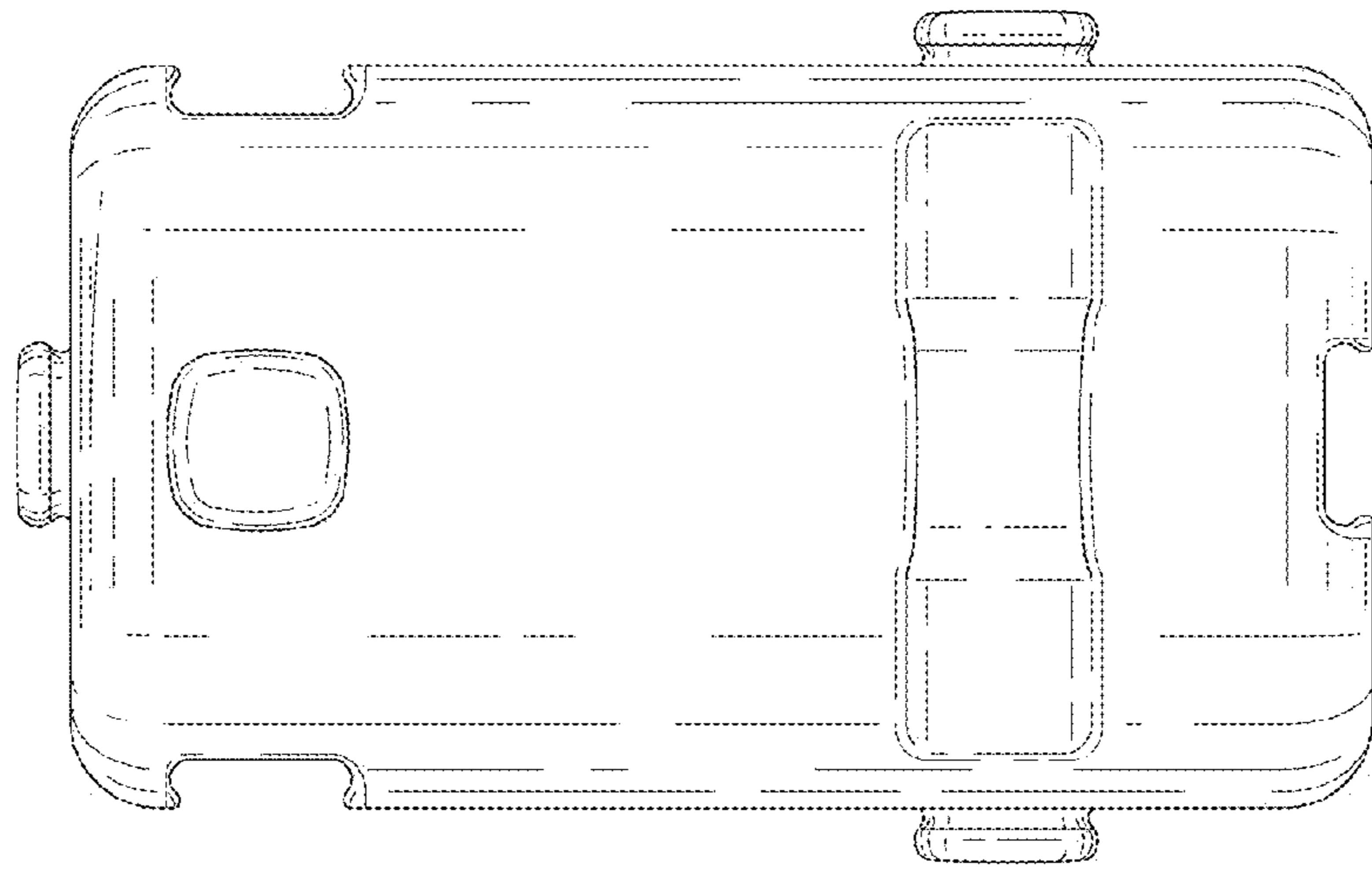
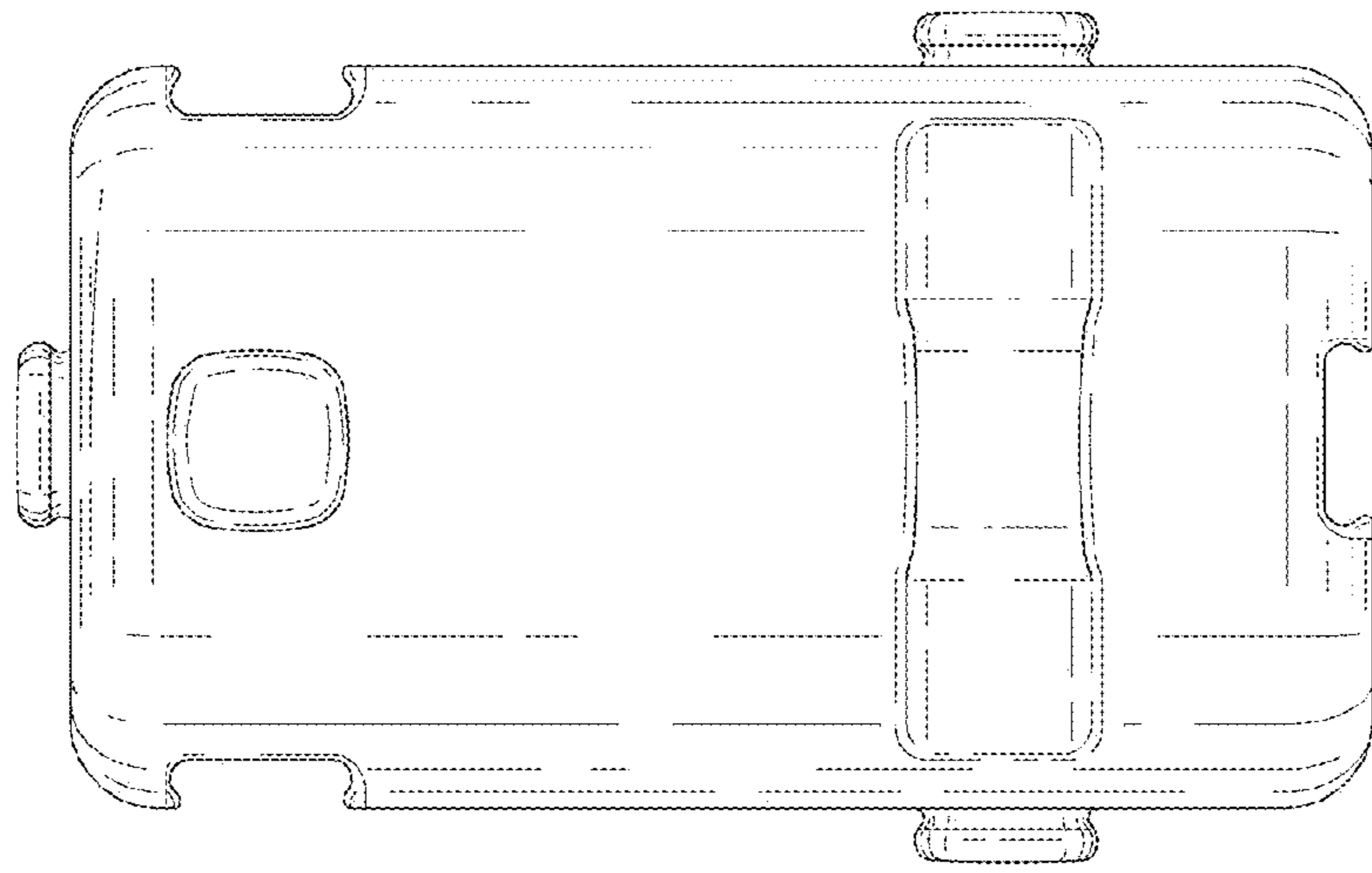


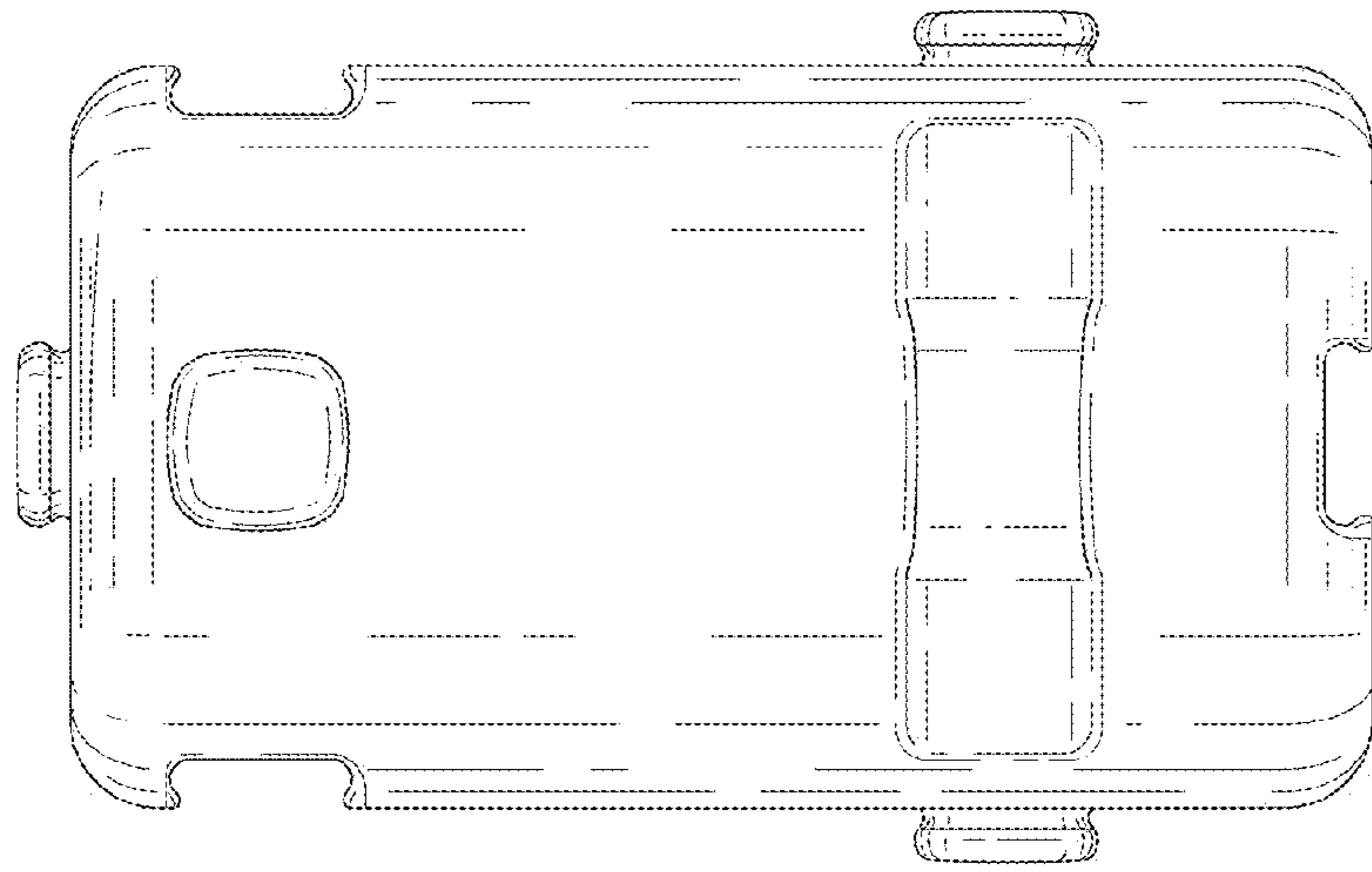
Fig. 3



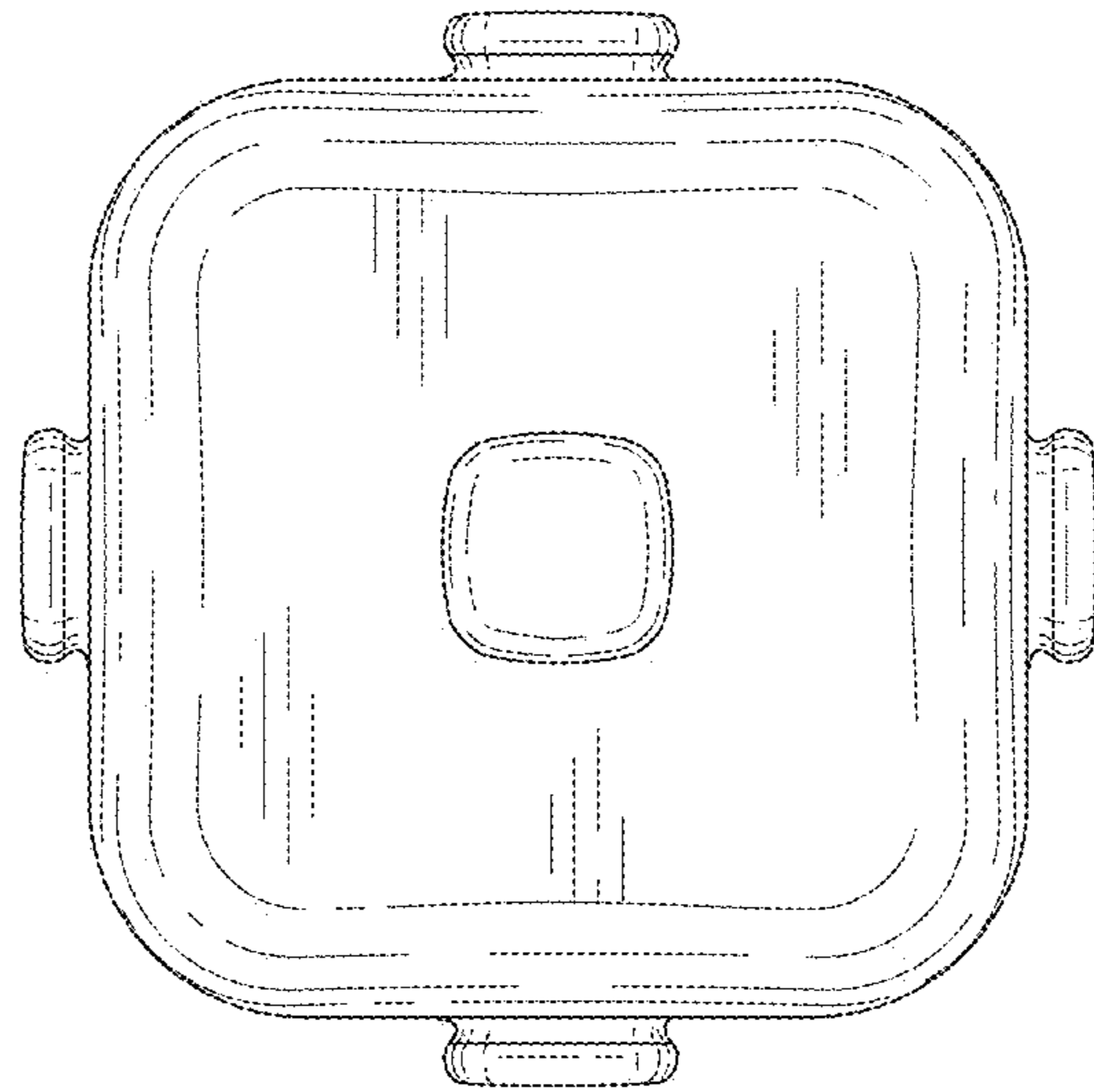
*Fig. 4*



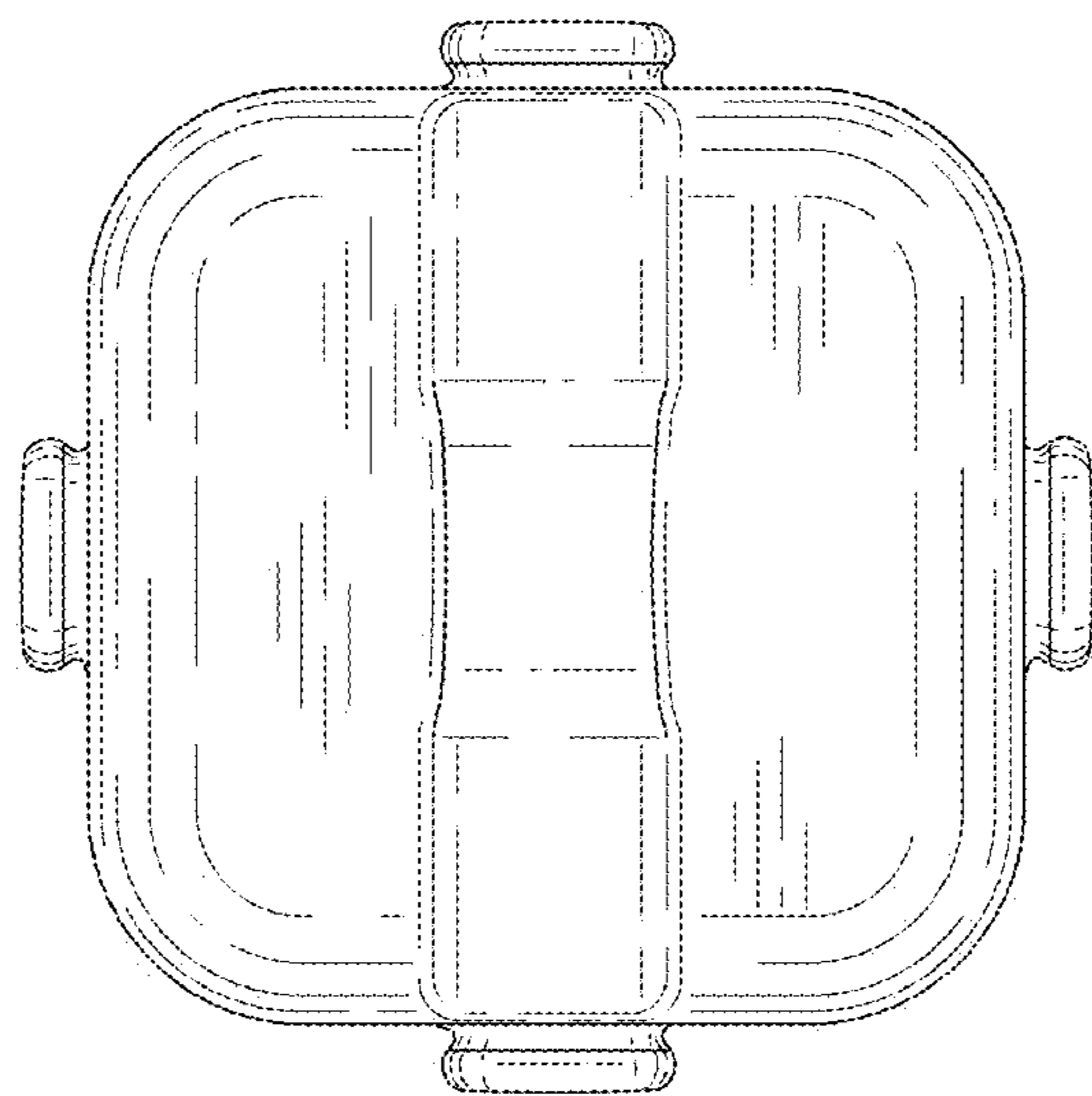
*Fig. 5*



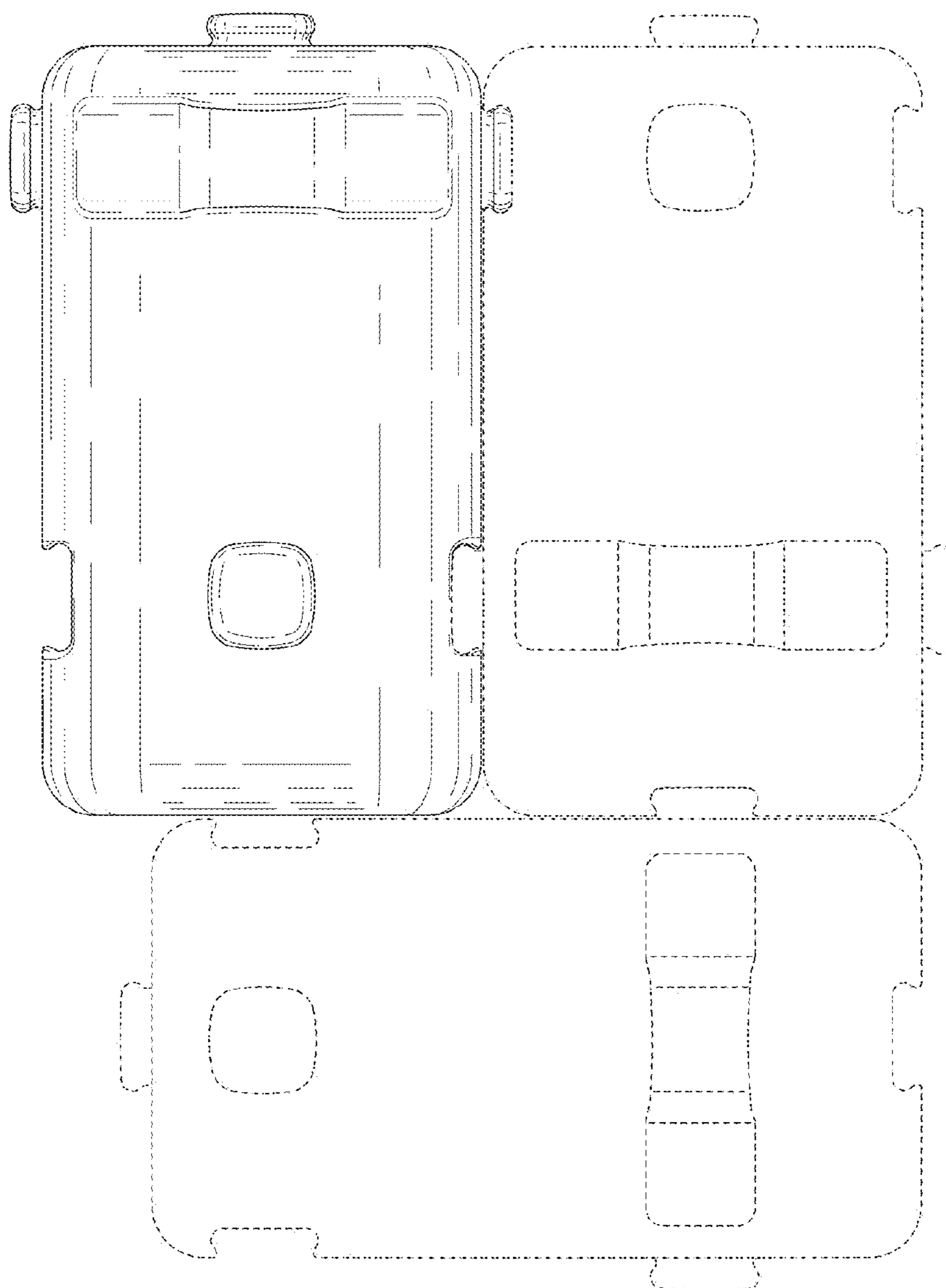
*Fig. 6*



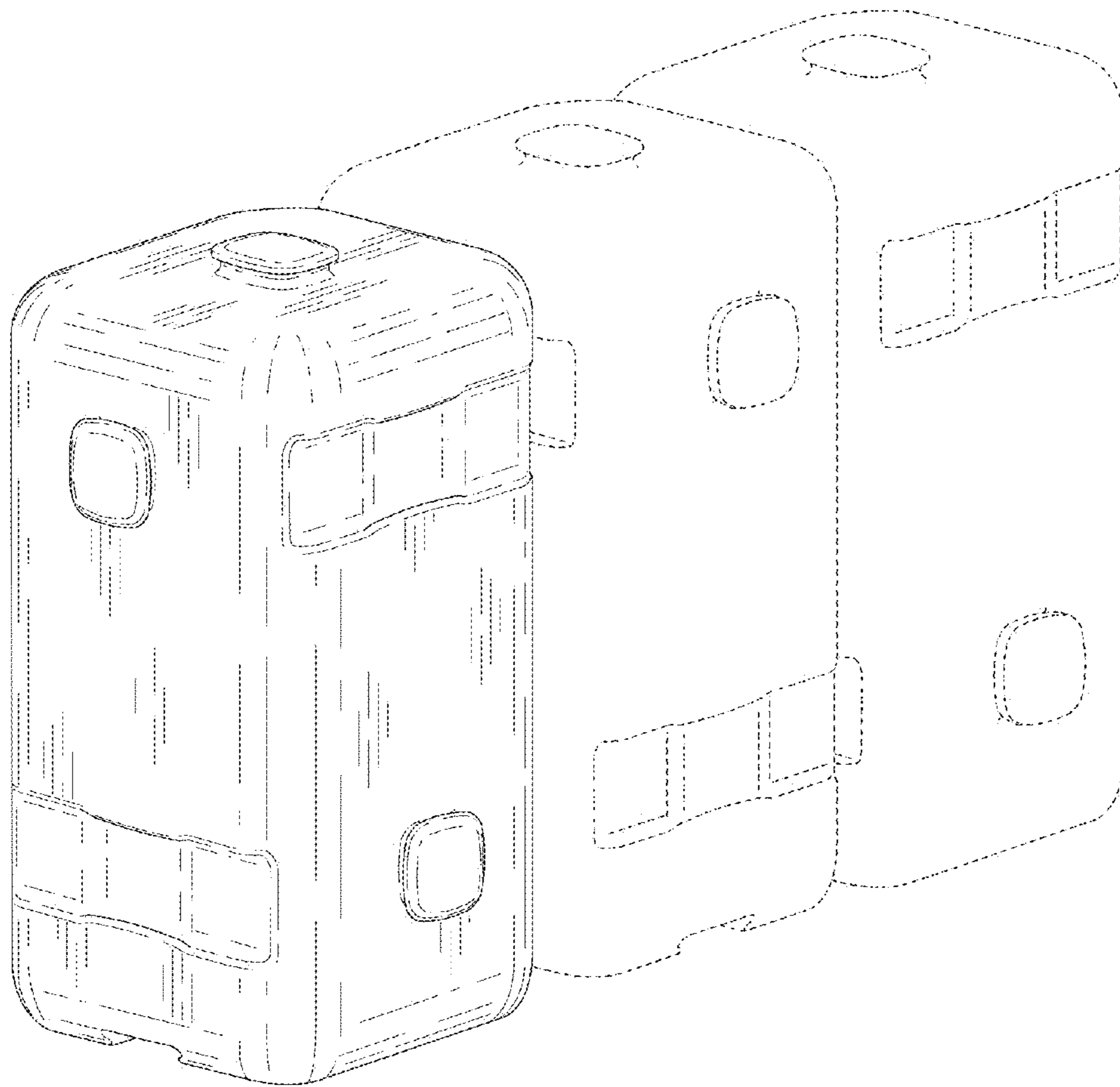
*Fig. 7*



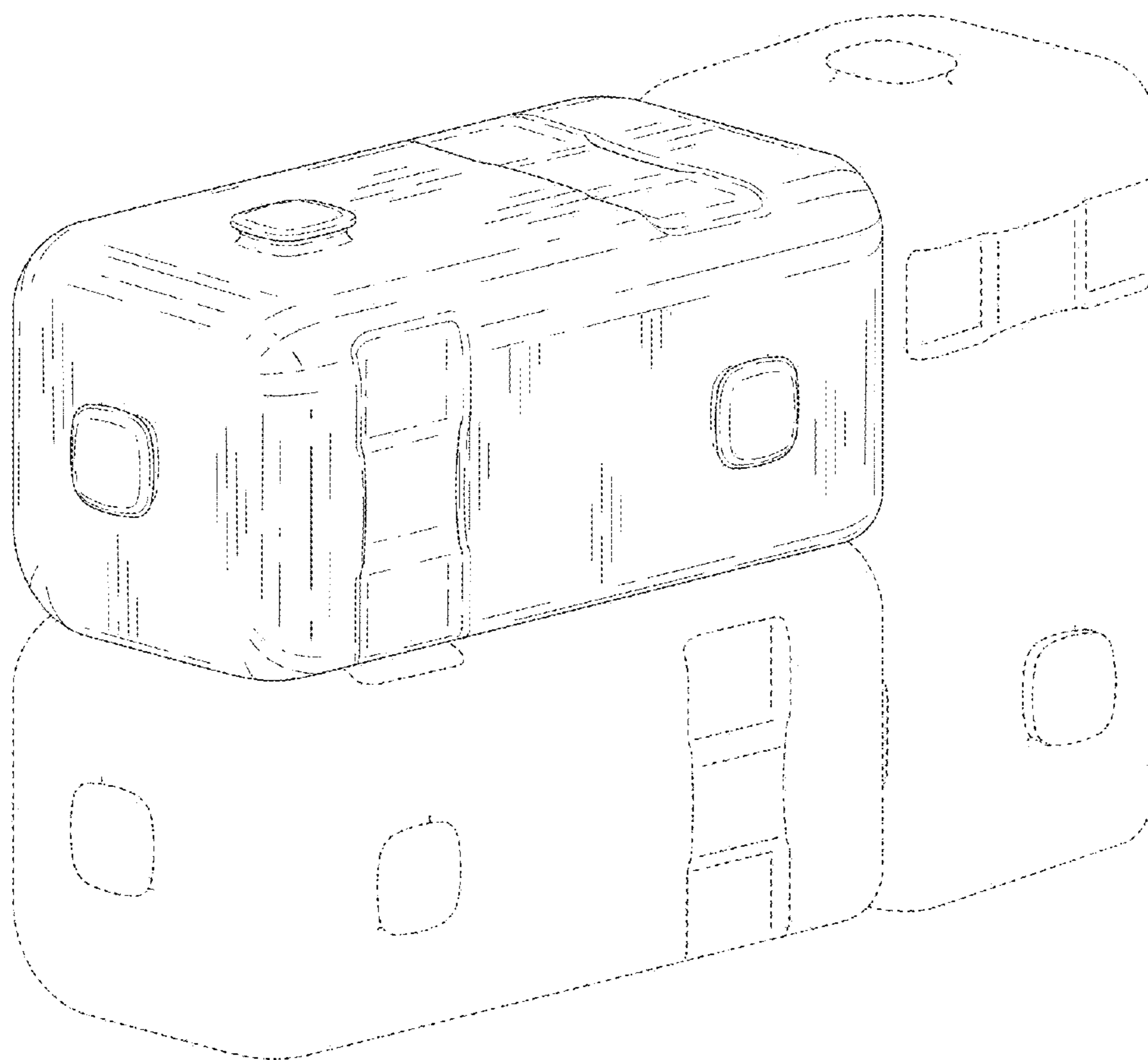
*Fig. 8*



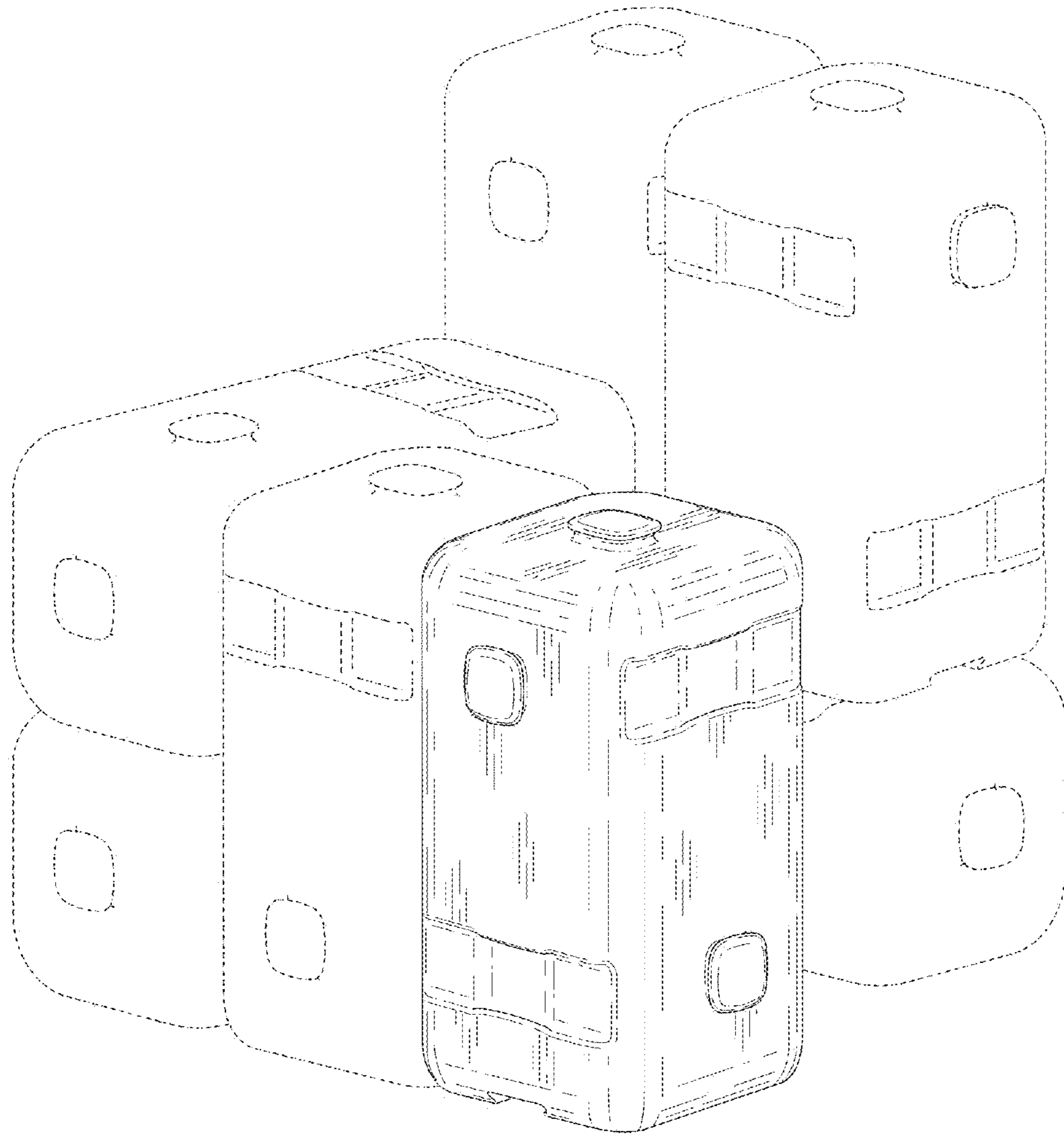
*Fig. 9*



*Fig. 10*



*Fig. 11*



*Fig. 12*