



US00D718390S

(12) **United States Design Patent**
Sumii et al.

(10) **Patent No.:** **US D718,390 S**
(45) **Date of Patent:** **** Nov. 25, 2014**

(54) **CONTROLLER FOR ELECTRONIC DEVICE**

(71) Applicant: **Sony Computer Entertainment Inc.,**
Tokyo (JP)

(72) Inventors: **Tetsu Sumii, Tokyo (JP); Ennin Huang,**
Tokyo (JP)

(73) Assignee: **Sony Computer Entertainment, Inc.,**
Tokyo (JP)

(**) Term: **14 Years**

(21) Appl. No.: **29/460,695**

(22) Filed: **Jul. 12, 2013**

(30) **Foreign Application Priority Data**

Feb. 19, 2013 (JP) 2013-003273

(51) **LOC (10) Cl.** **21-01**

(52) **U.S. Cl.**
USPC **D21/333**

(58) **Field of Classification Search**

CPC A63F 13/06; A63F 3/00; A63F 13/00;
A63F 7/0664; A63F 7/26; A63F 7/36; A63F
9/00; A63F 11/00; G07F 17/32; G06F 3/00
USPC D14/399-401, 412-416; D21/324, 333;
273/148 B; 463/1, 29-39, 46, 47;
345/156-161, 905

See application file for complete search history.

(56) **References Cited**

U.S. PATENT DOCUMENTS

5,551,693 A 9/1996 Goto et al.
D377,057 S * 12/1996 Lee D14/401
D382,603 S 8/1997 Goto
5,716,274 A * 2/1998 Goto et al. 463/37
D393,885 S 4/1998 Goto
D397,164 S 8/1998 Goto
D398,032 S 9/1998 Goto

D402,317 S 12/1998 Goto
D405,835 S 2/1999 Goto
D416,588 S 11/1999 Goto
D430,222 S 8/2000 Goto
D430,223 S 8/2000 Goto
D431,051 S 9/2000 Goto
D439,580 S 3/2001 Goto
D441,369 S 5/2001 Goto
D442,180 S 5/2001 Goto
6,231,444 B1 * 5/2001 Goto et al. 463/37
D443,617 S 6/2001 Goto
D443,618 S 6/2001 Goto
D443,877 S 6/2001 Goto
D444,469 S 7/2001 Goto
D444,470 S 7/2001 Goto
6,342,009 B1 * 1/2002 Soma 463/38
7,314,413 B2 * 1/2008 Ogata et al. 463/37
D561,190 S 2/2008 Goto
D585,931 S * 2/2009 Palmer D18/7
D685,434 S * 7/2013 Ali et al. D21/333
8,628,085 B2 * 1/2014 Sternberg 273/148 B

* cited by examiner

Primary Examiner — Prabhakar Deshmukh

(74) *Attorney, Agent, or Firm* — Rader, Fishman & Grauer
PLLC

(57) **CLAIM**

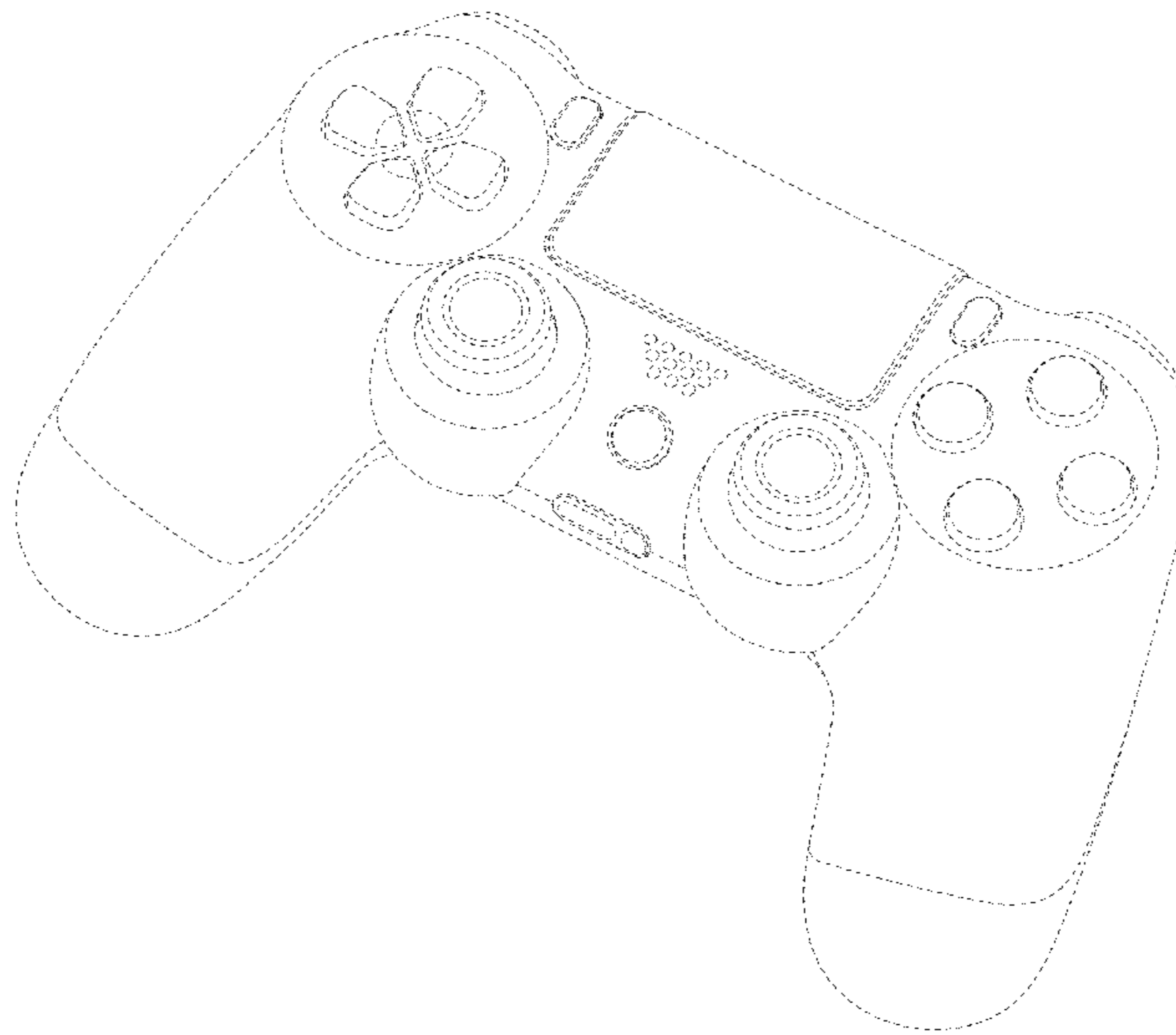
The ornamental design for a controller for electronic device,
as shown and described.

DESCRIPTION

FIG. 1 is a rear, top, left perspective view of the controller for
electronic device showing our new design;
FIG. 2 is a front, top, left perspective view thereof;
FIG. 3 is a rear elevational view thereof;
FIG. 4 is a right side elevational view thereof; and,
FIG. 5 is a top plan view thereof.

The broken lines showing of the controller for electronic
device are for environmental purposes only and form no part
of the claimed design.

1 Claim, 4 Drawing Sheets



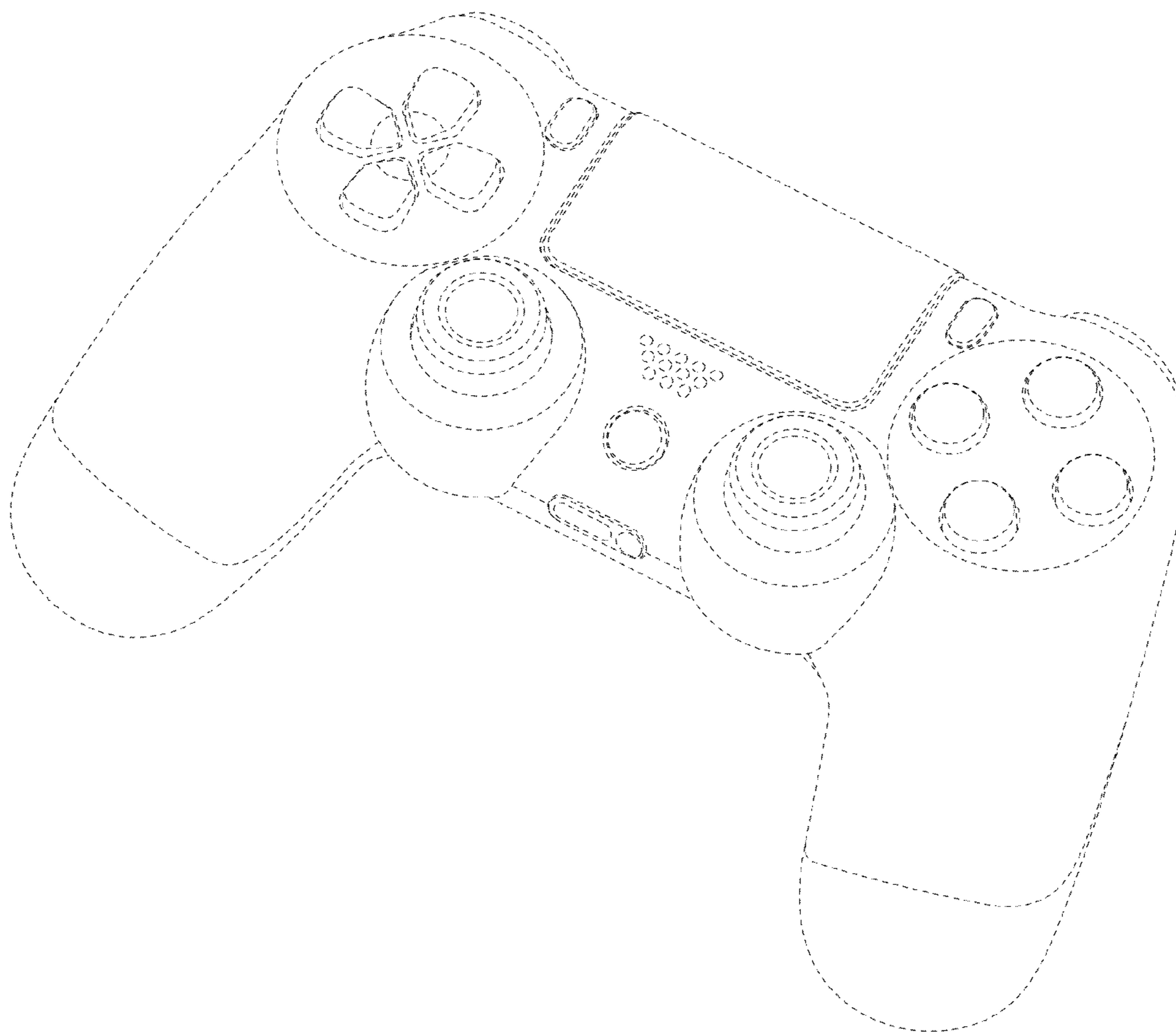


FIG. 1

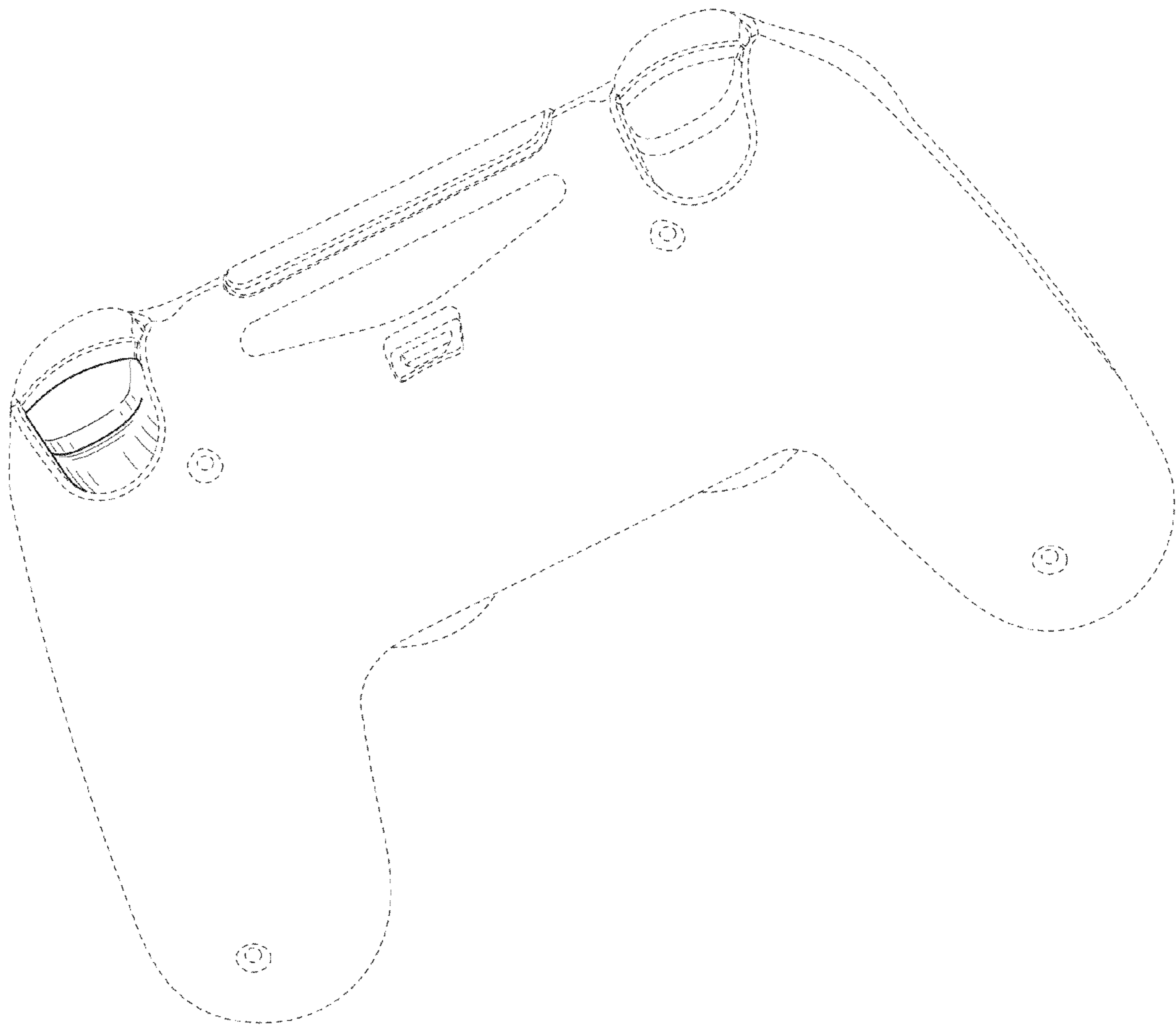


FIG. 2

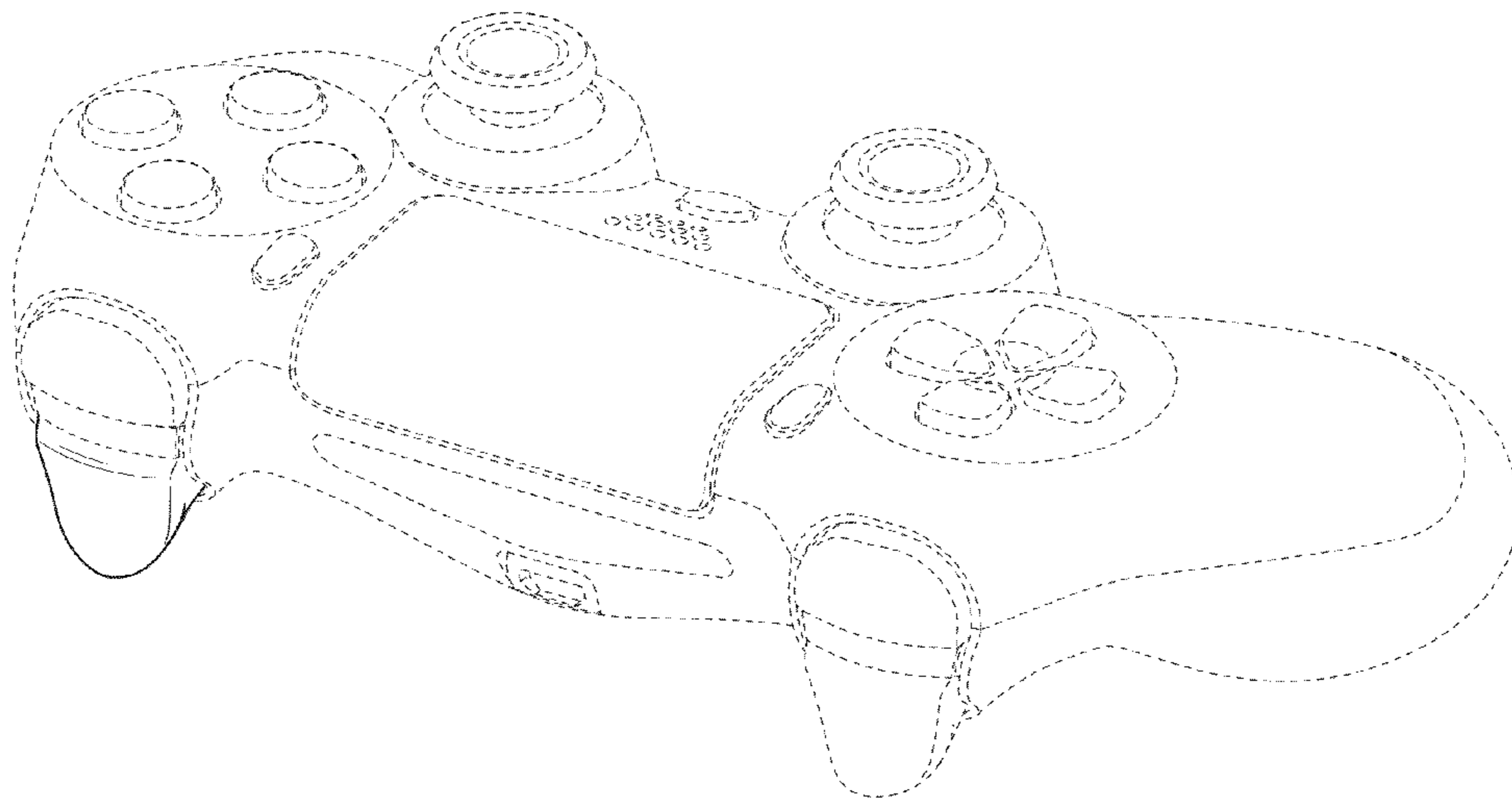


FIG. 3

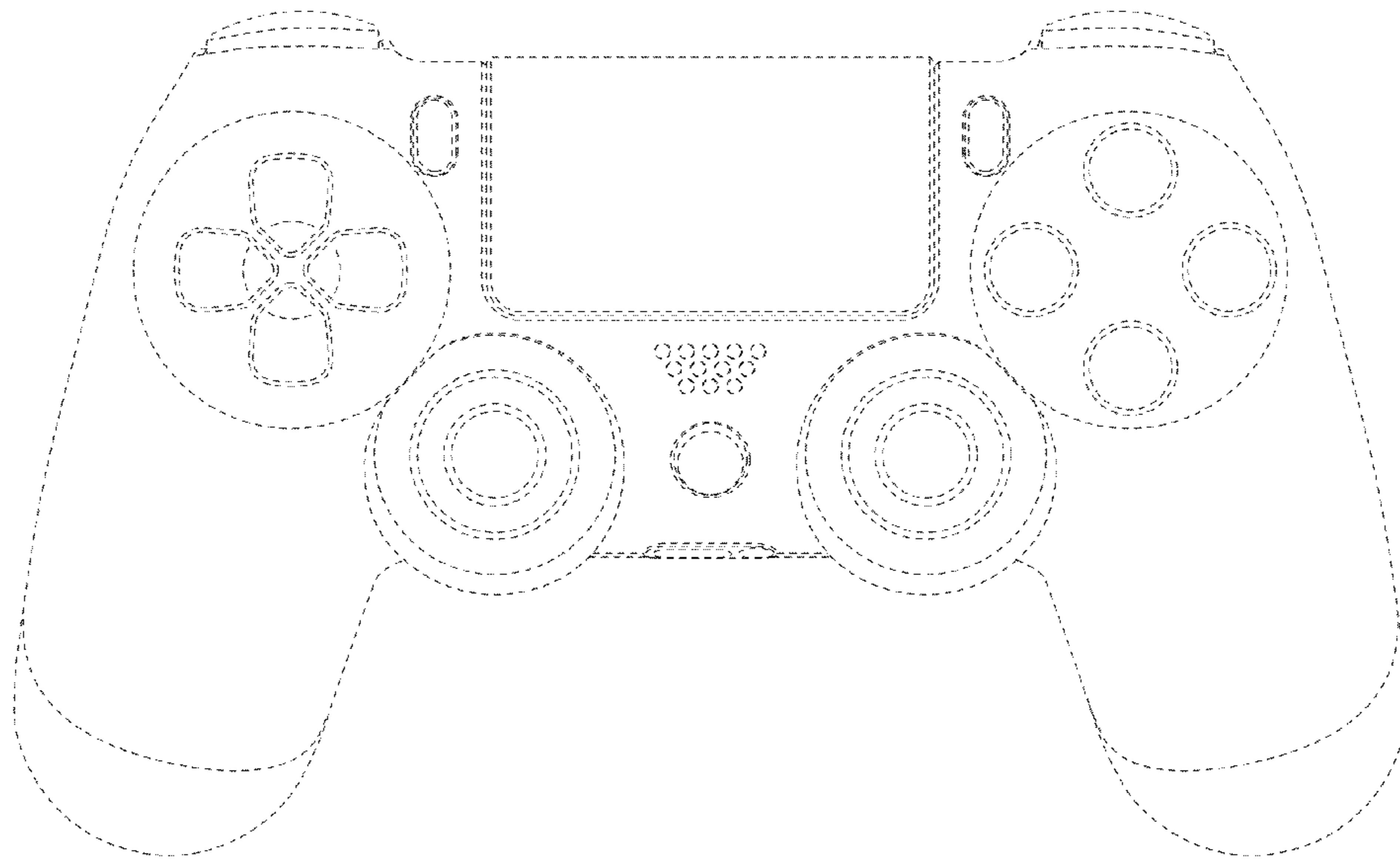


FIG. 4

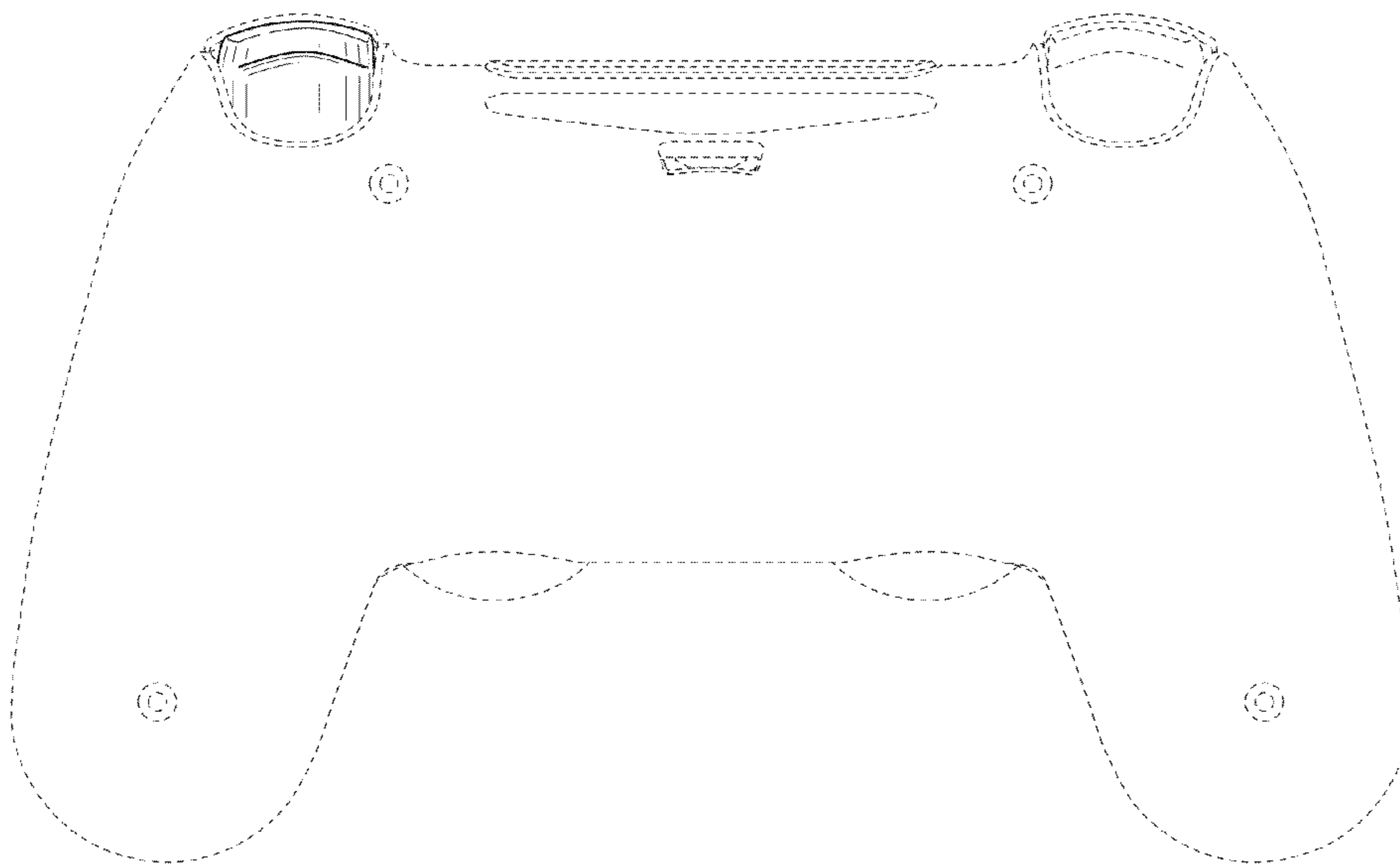


FIG. 5

UNITED STATES PATENT AND TRADEMARK OFFICE
CERTIFICATE OF CORRECTION

PATENT NO. : D718,390 S
APPLICATION NO. : 29/460695
DATED : November 25, 2014
INVENTOR(S) : Tetsu Sumii et al.

Page 1 of 7

It is certified that error appears in the above-identified patent and that said Letters Patent is hereby corrected as shown below:

Delete the title page and substitute the attached title page therefor.

In the Drawings

Delete drawing sheets 1 thru 4, and substitute the attached drawing sheets 1 thru 5 therefor.

Signed and Sealed this
Second Day of June, 2015



Michelle K. Lee
Director of the United States Patent and Trademark Office

(12) **United States Design Patent**
Sumii et al.

(10) **Patent No.:** US D718,390 S
(45) **Date of Patent:** ** Nov. 25, 2014

(54) **CONTROLLER FOR ELECTRONIC DEVICE**

(71) Applicant: **Sony Computer Entertainment Inc.,**
Tokyo (JP)

(72) Inventors: **Tetsu Sumii, Tokyo (JP); Ennin Huang,**
Tokyo (JP)

(73) Assignee: **Sony Computer Entertainment, Inc.,**
Tokyo (JP)

(**) **Term: 14 Years**

(21) Appl. No.: **29/460,695**

(22) Filed: **Jul. 12, 2013**

(30) **Foreign Application Priority Data**

Feb. 19, 2013 (JP) 2013-003273

(51) **LOC (10) Cl.** **21-01**

(52) **U.S. Cl.**
USPC **D21/333**

(58) **Field of Classification Search**
CPC A63F 13/06; A63F 3/00; A63F 13/00;
A63F 7/0664; A63F 7/26; A63F 7/36; A63F
9/00; A63F 11/00; G07F 17/32; G06F 3/00
USPC D14/399-401, 412-416; D21/324, 333;
273/148 B; 463/1, 29-39, 46, 47;
345/156-161, 905

See application file for complete search history.

(56) **References Cited**

U.S. PATENT DOCUMENTS

5,551,693 A 9/1996 Goto et al.
D377,057 S * 12/1996 Lee D14/401
D382,603 S 8/1997 Goto
5,716,274 A * 2/1998 Goto et al. 463/37
D393,885 S 4/1998 Goto
D397,164 S 8/1998 Goto
D398,032 S 9/1998 Goto

D402,317 S 12/1998 Goto
D405,835 S 2/1999 Goto
D416,588 S 11/1999 Goto
D430,222 S 8/2000 Goto
D430,223 S 8/2000 Goto
D431,051 S 9/2000 Goto
D439,580 S 3/2001 Goto
D441,369 S 5/2001 Goto
D442,180 S 5/2001 Goto
6,231,444 B1 * 5/2001 Goto et al. 463/37
D443,617 S 6/2001 Goto
D443,618 S 6/2001 Goto
D443,877 S 6/2001 Goto
D444,469 S 7/2001 Goto
D444,470 S 7/2001 Goto
6,342,009 B1 * 1/2002 Soma 463/38
7,314,413 B2 * 1/2008 Ogata et al. 463/37
D561,190 S 2/2008 Goto
D585,931 S * 2/2009 Palmer D18/7
D685,434 S * 7/2013 Ali et al. D21/333
8,628,085 B2 * 1/2014 Sternberg 273/148 B

* cited by examiner

Primary Examiner — Prabhakar Deshmukh

(74) *Attorney, Agent, or Firm* — Rader, Fishman & Grauer
PLLC

(57) **CLAIM**

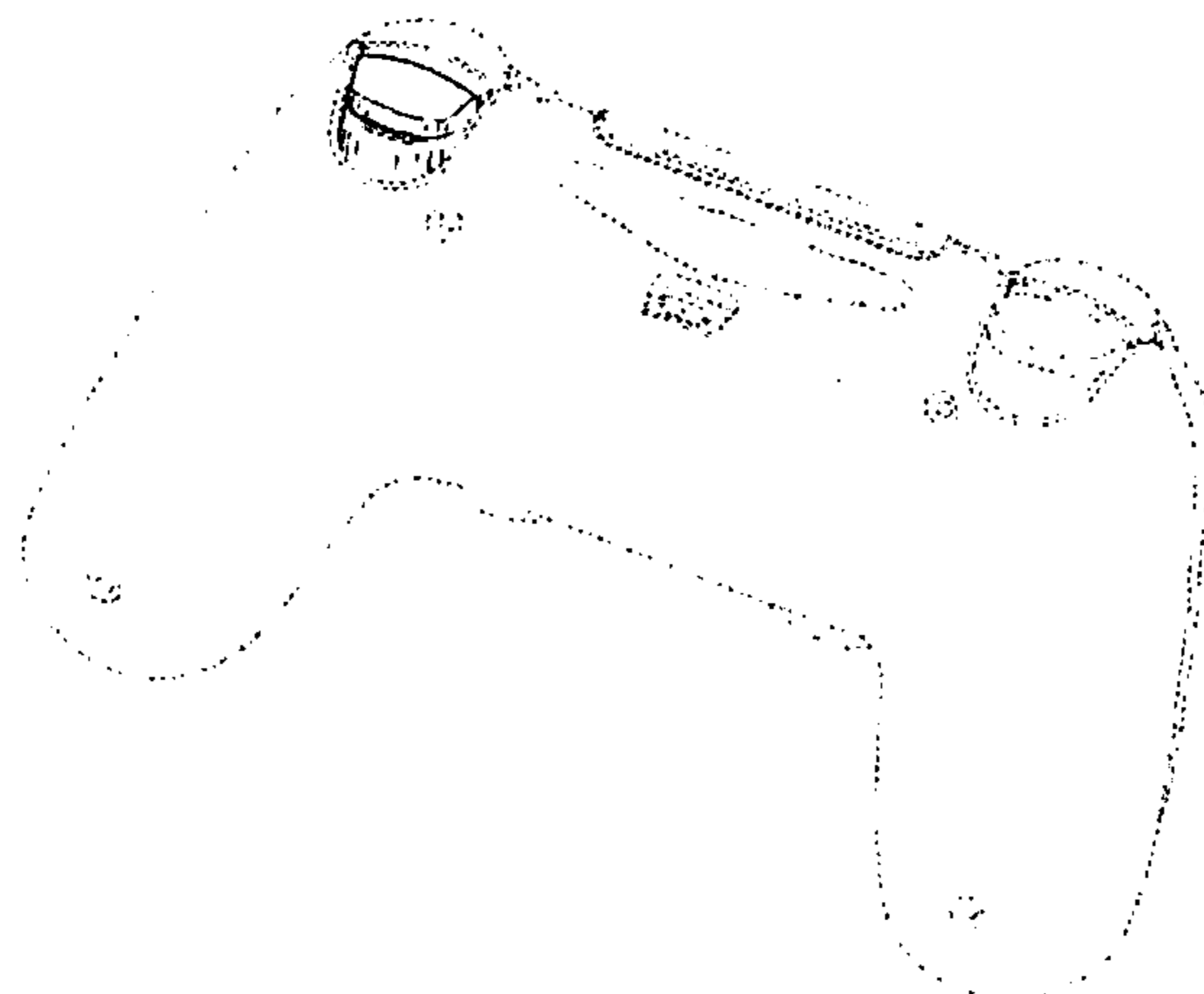
The ornamental design for a controller for electronic device,
as shown and described.

DESCRIPTION

FIG. 1 is a rear, top, left perspective view of the controller for
electronic device showing our new design;
FIG. 2 is a front, top, left perspective view thereof;
FIG. 3 is a rear elevational view thereof;
FIG. 4 is a right side elevational view thereof; and,
FIG. 5 is a top plan view thereof.

The broken lines showing of the controller for electronic
device are for environmental purposes only and form no part
of the claimed design.

1 Claim, 5 Drawing Sheets



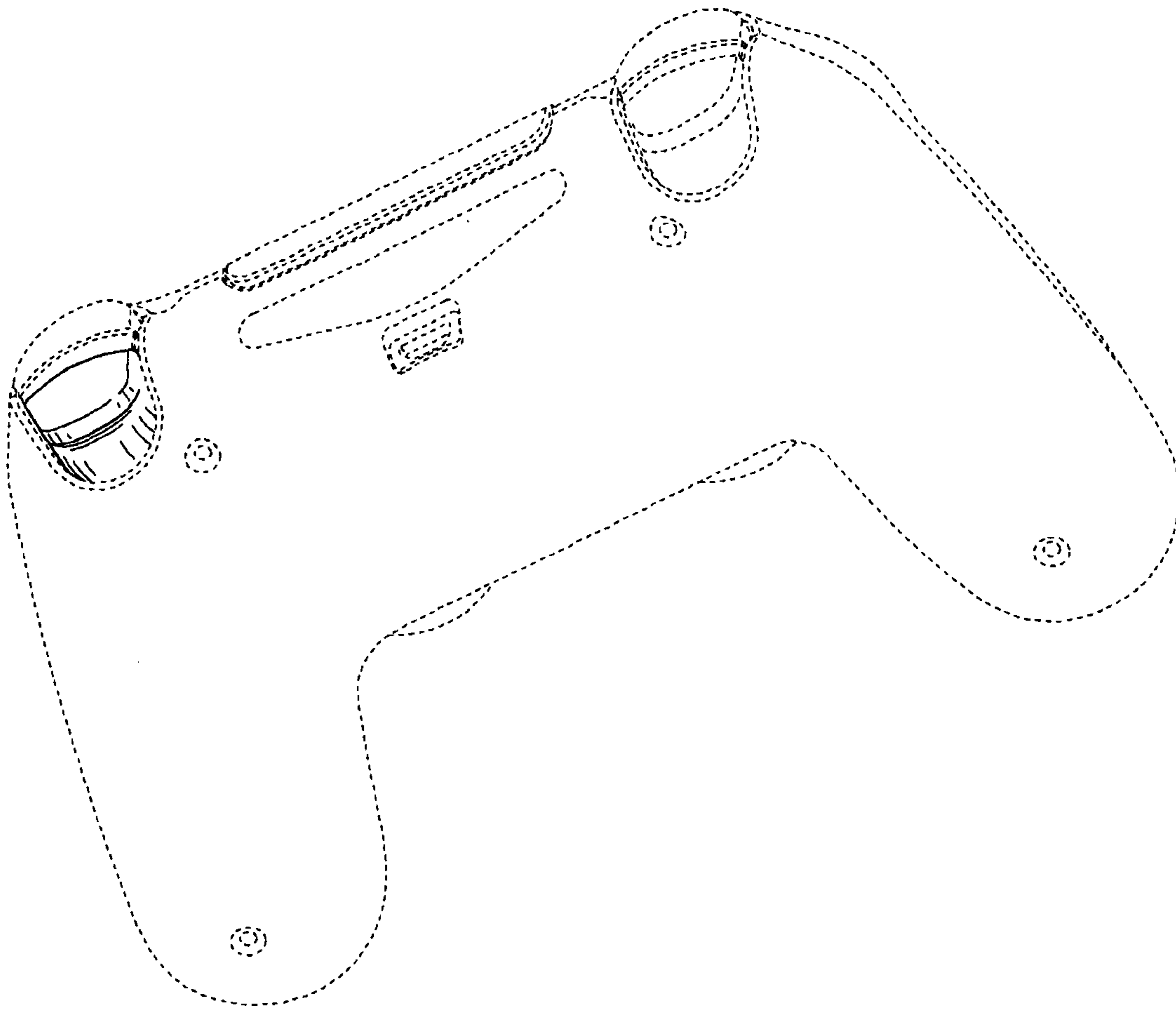


FIG. 1

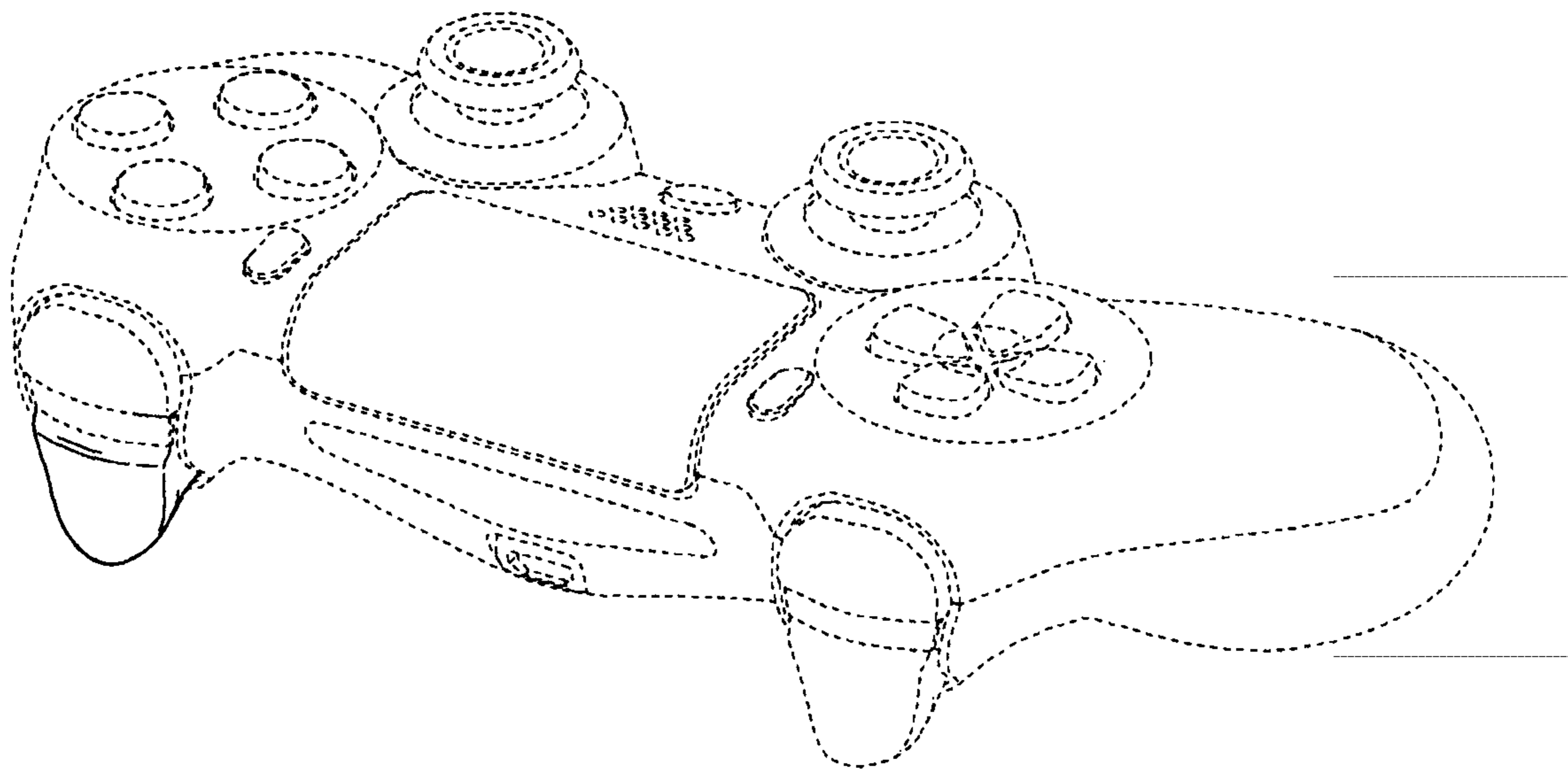


FIG. 2

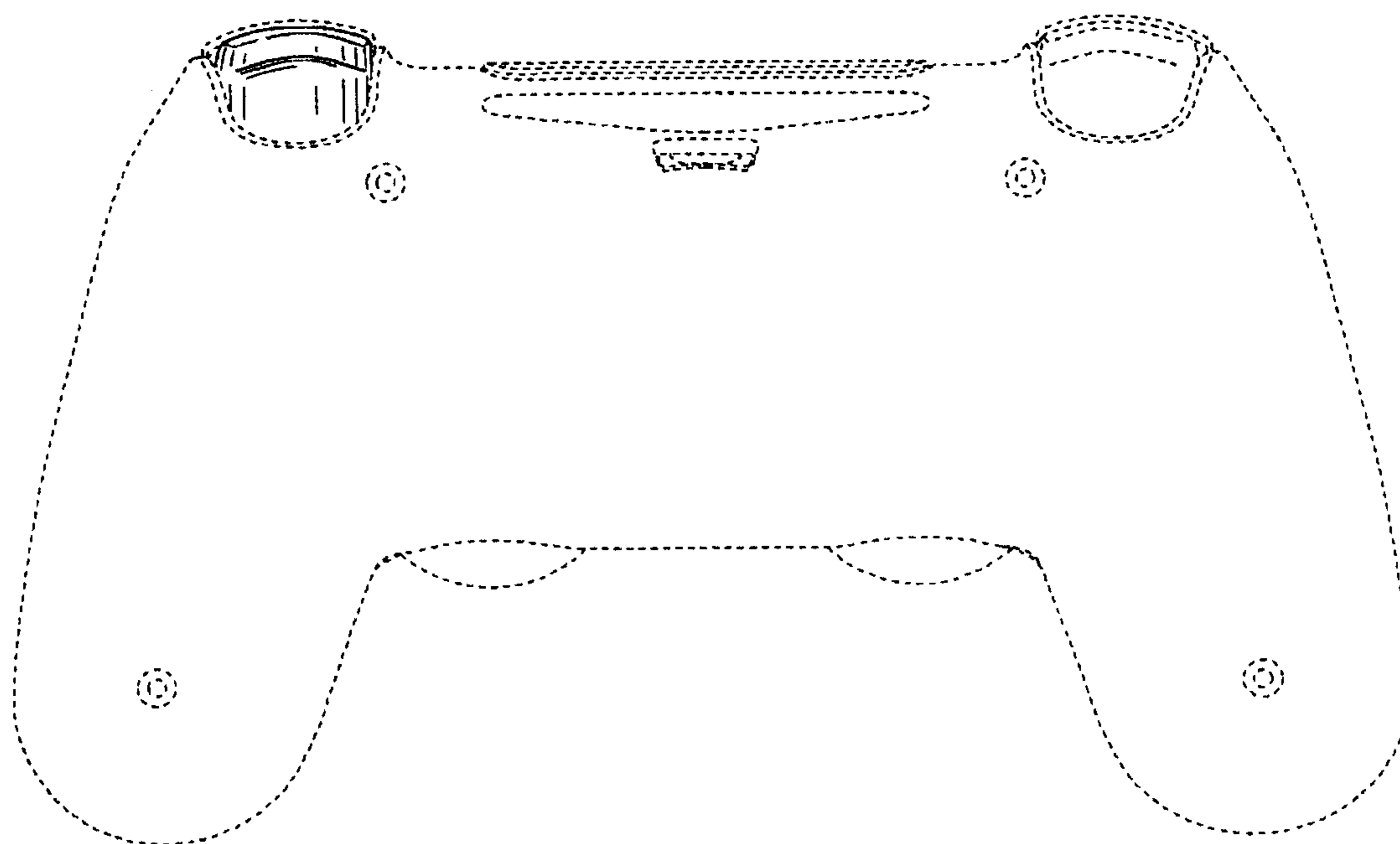


FIG. 3

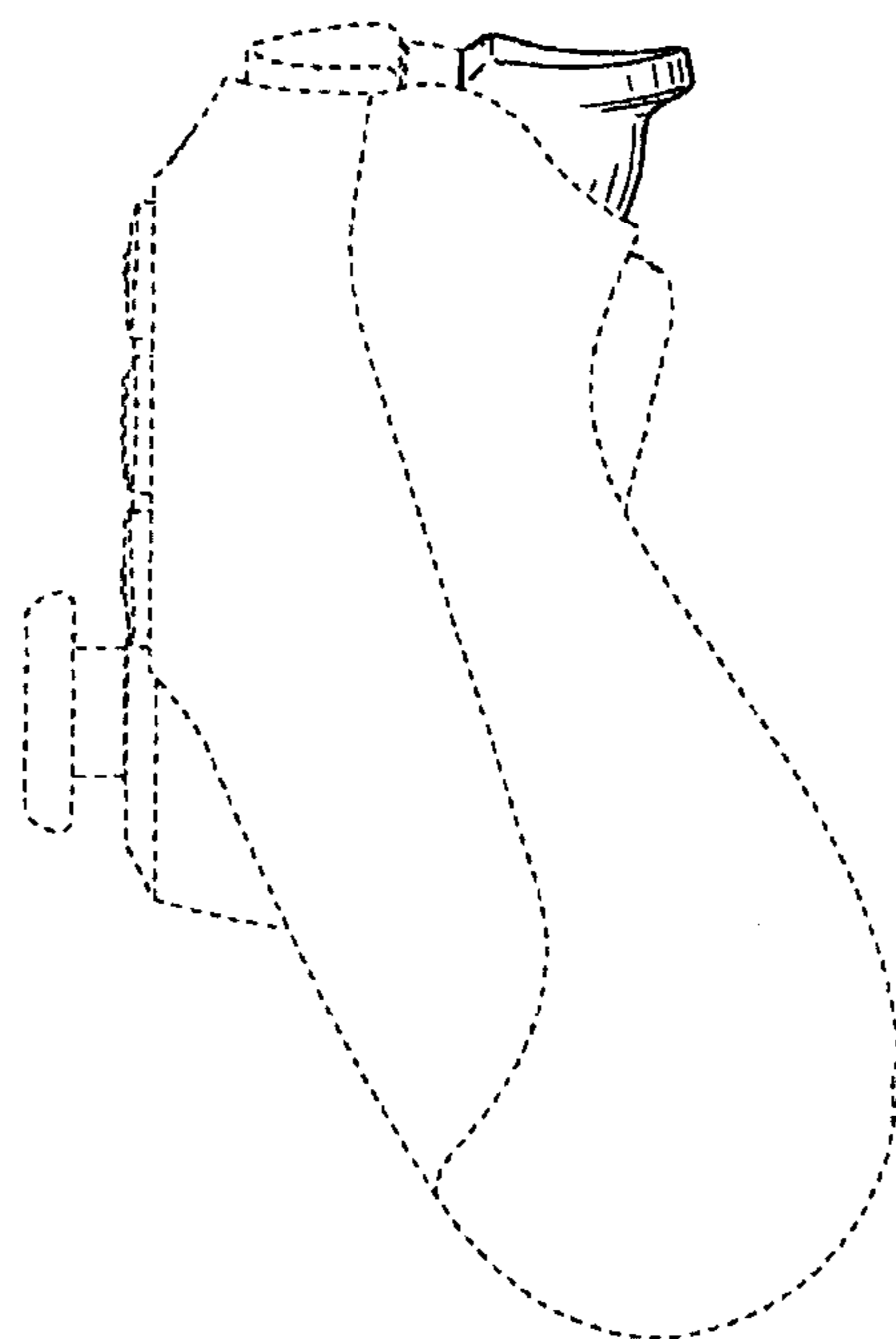


FIG. 4

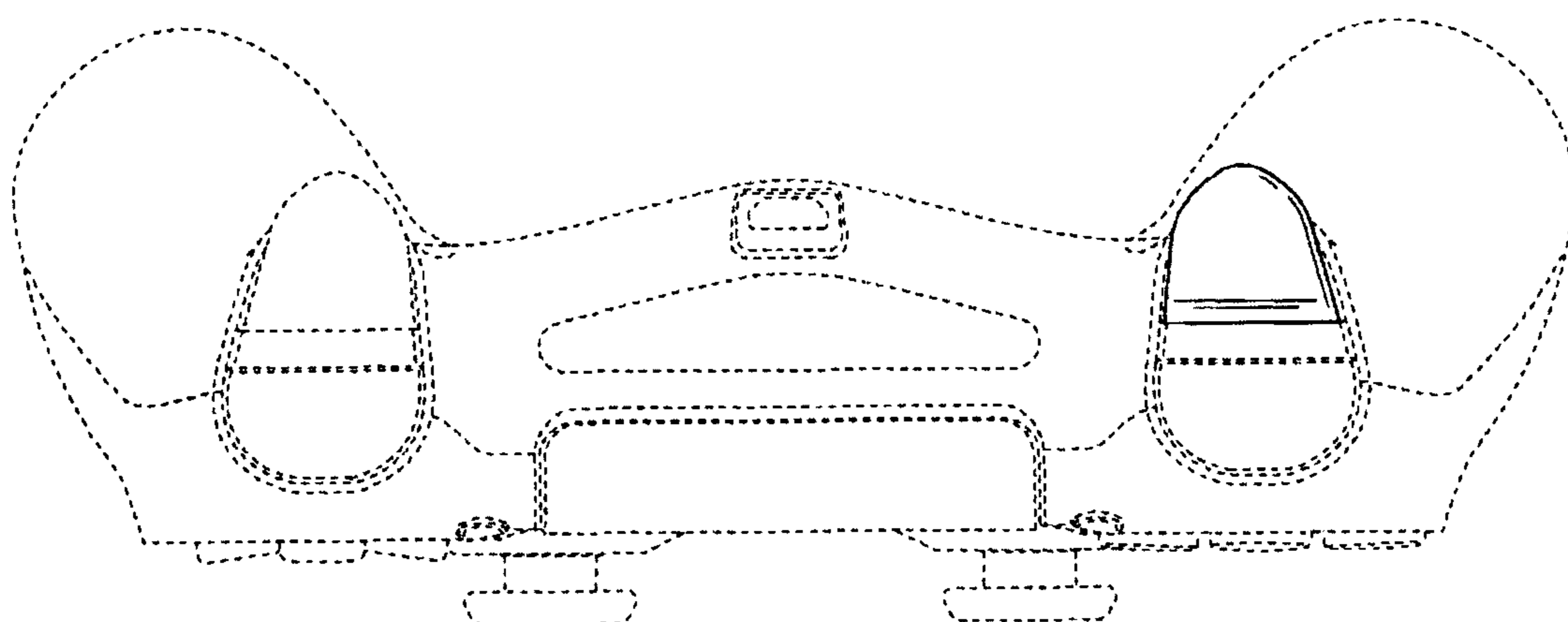


FIG. 5