



US00D718389S

(12) **United States Design Patent**
Pillot et al.

(10) **Patent No.:** **US D718,389 S**

(45) **Date of Patent:** **** Nov. 25, 2014**

(54) **THROWING GAME PEDESTAL**

(71) Applicants: **Julie M. Pillot**, Atlanta, GA (US); **David M. Drehoff**, Atlanta, GA (US)

(72) Inventors: **Julie M. Pillot**, Atlanta, GA (US); **David M. Drehoff**, Atlanta, GA (US)

(**) Term: **14 Years**

(21) Appl. No.: **29/475,281**

(22) Filed: **Dec. 2, 2013**

(51) **LOC (10) Cl.** **21-01**

(52) **U.S. Cl.**
USPC **D21/302**

(58) **Field of Classification Search**
USPC D21/300–303, 385; 273/317, 398–402,
273/407, 346, 351, 388, 389
See application file for complete search history.

(56) **References Cited**

U.S. PATENT DOCUMENTS

286,868	A *	10/1883	Thompson	273/399
3,655,193	A *	4/1972	Jones	473/572
5,116,061	A *	5/1992	Zentner, Jr.	273/241
D489,769	S *	5/2004	Holgate	D21/302
6,843,478	B1 *	1/2005	Hoepelman	273/342
D531,676	S *	11/2006	Tabert	D21/302
7,360,767	B2 *	4/2008	Merccica	273/350
D634,789	S *	3/2011	Hoge et al.	D21/302
D636,030	S *	4/2011	Sima et al.	D21/302
D691,660	S *	10/2013	Shea	D21/303
D692,500	S *	10/2013	Max et al.	D21/303

* cited by examiner

Primary Examiner — Prabhakar Deshmukh

(74) *Attorney, Agent, or Firm* — Allen, Dyer, Doppelt, Milbrath & Gilchrist

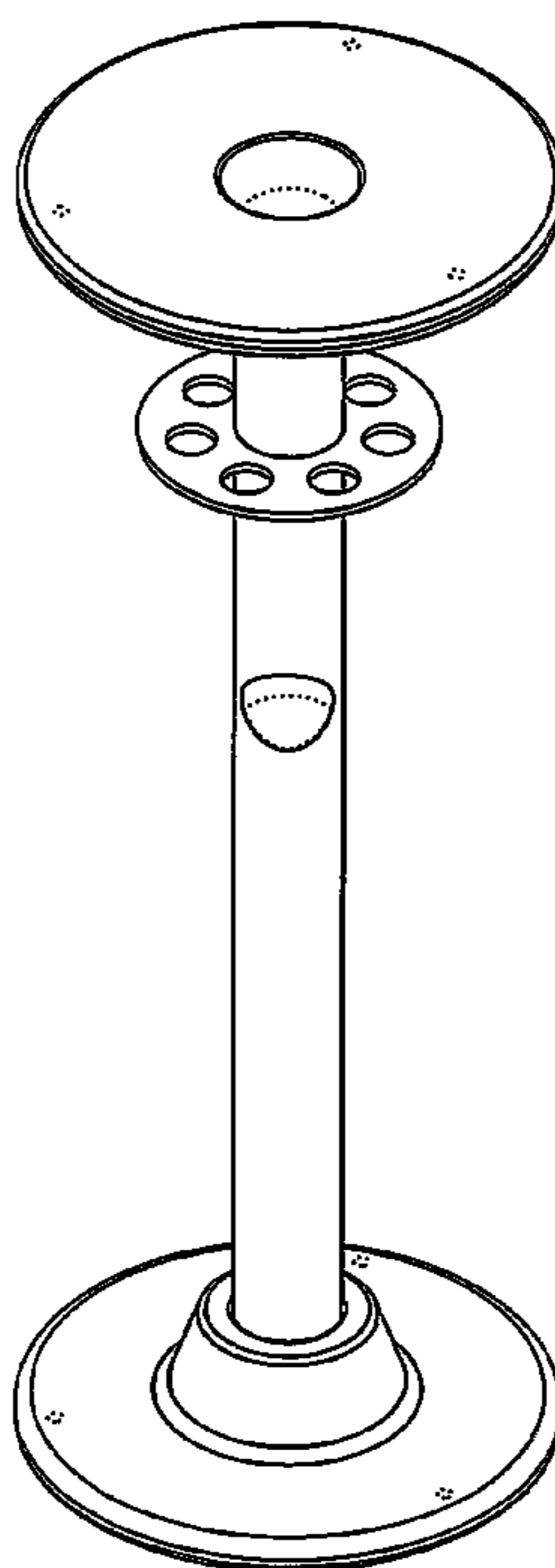
(57) **CLAIM**

The ornamental design for a throwing game pedestal, as shown and described.

DESCRIPTION

FIG. 1 is a top, front, left side perspective view of a throwing game pedestal showing our new design;
 FIG. 2 is a bottom, front, left side perspective view thereof;
 FIG. 3 is a top plan view thereof;
 FIG. 4 is a bottom plan view thereof;
 FIG. 5 is a front elevation view thereof;
 FIG. 6 is a rear elevation view thereof;
 FIG. 7 is a right side elevation thereof;
 FIG. 8 is a left side elevation view thereof;
 FIG. 9 is a top, front, left side perspective view of a second embodiment of a throwing game pedestal;
 FIG. 10 is a bottom, front, left side perspective view of FIG. 9;
 FIG. 11 is a top plan view of FIG. 9;
 FIG. 12 is a bottom plan view of FIG. 9;
 FIG. 13 is a front elevation view of FIG. 9;
 FIG. 14 is a rear elevation view thereof;
 FIG. 15 is a right side elevation view thereof; and,
 FIG. 16 is a left side elevation view thereof.
 The broken lines illustrate boundaries and unclaimed portions and form no part of the claimed design.

1 Claim, 16 Drawing Sheets



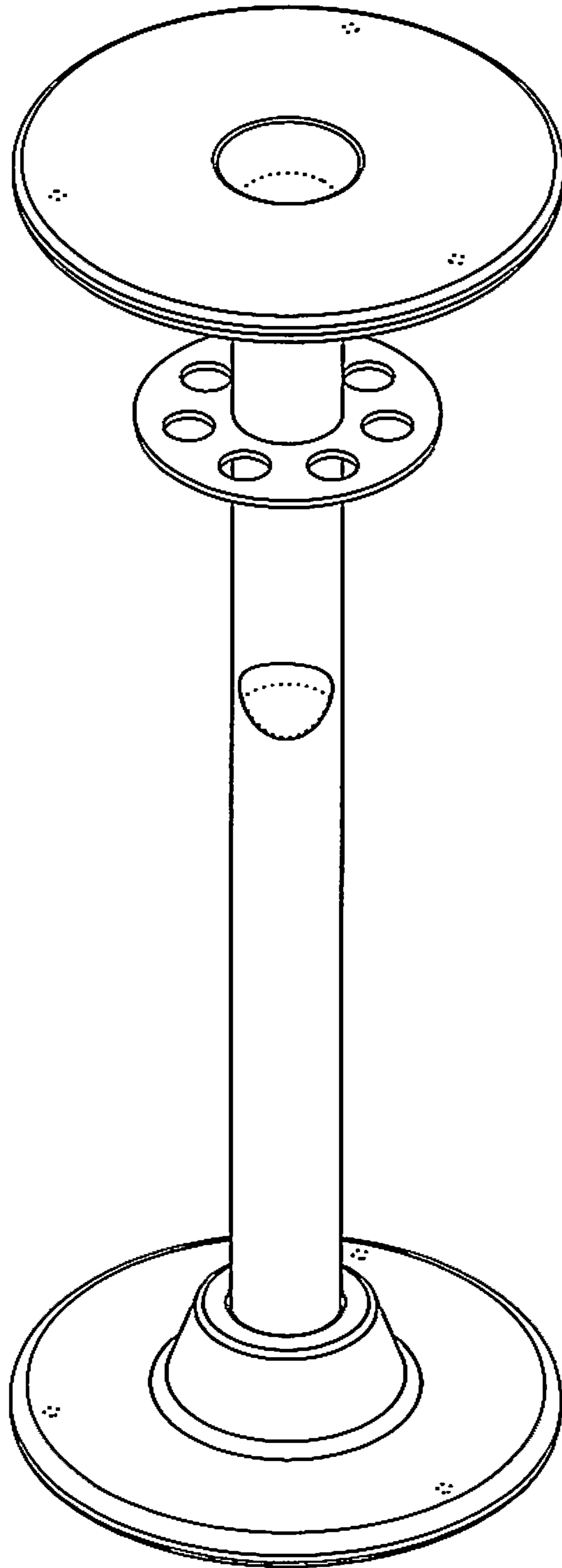


FIG. 1

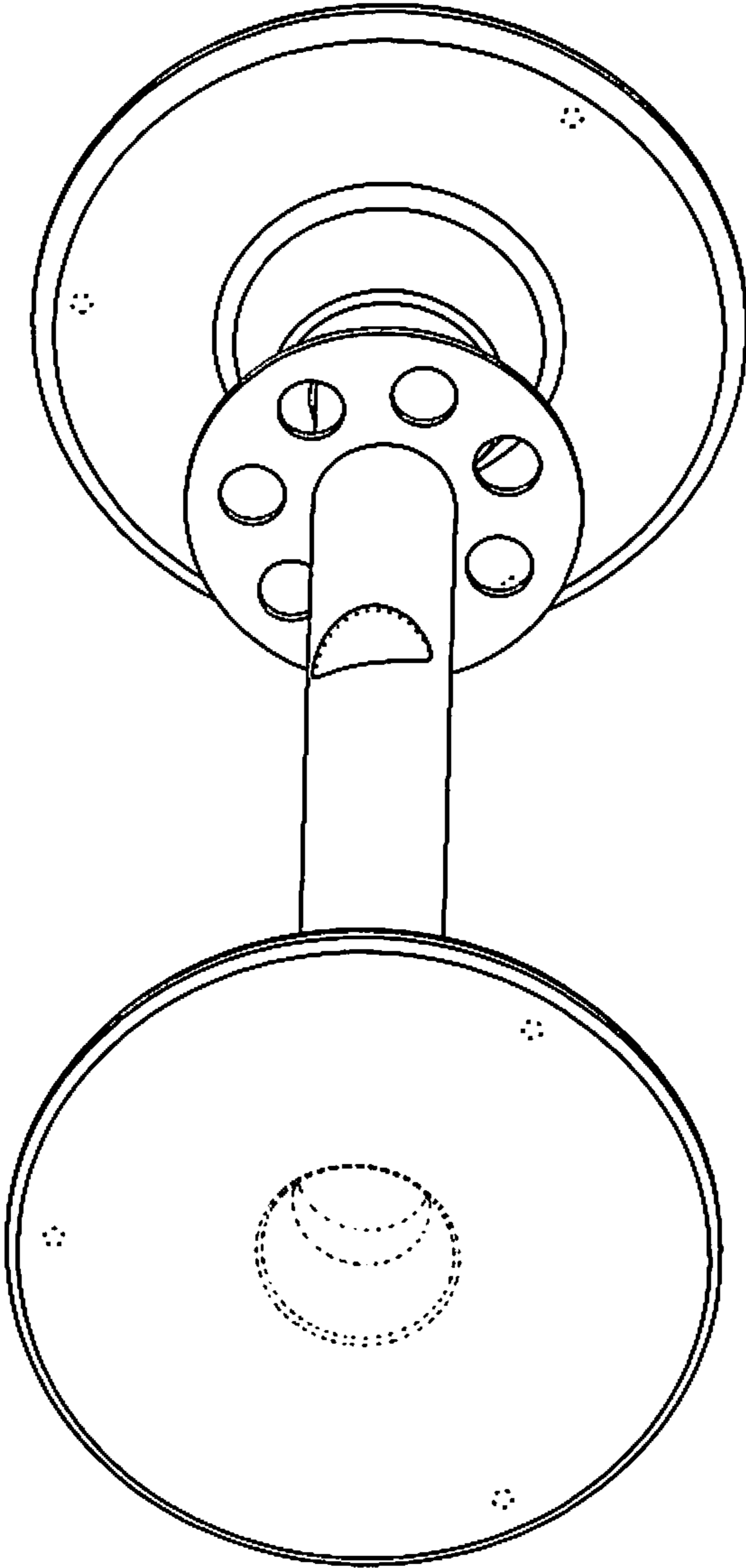


FIG. 2

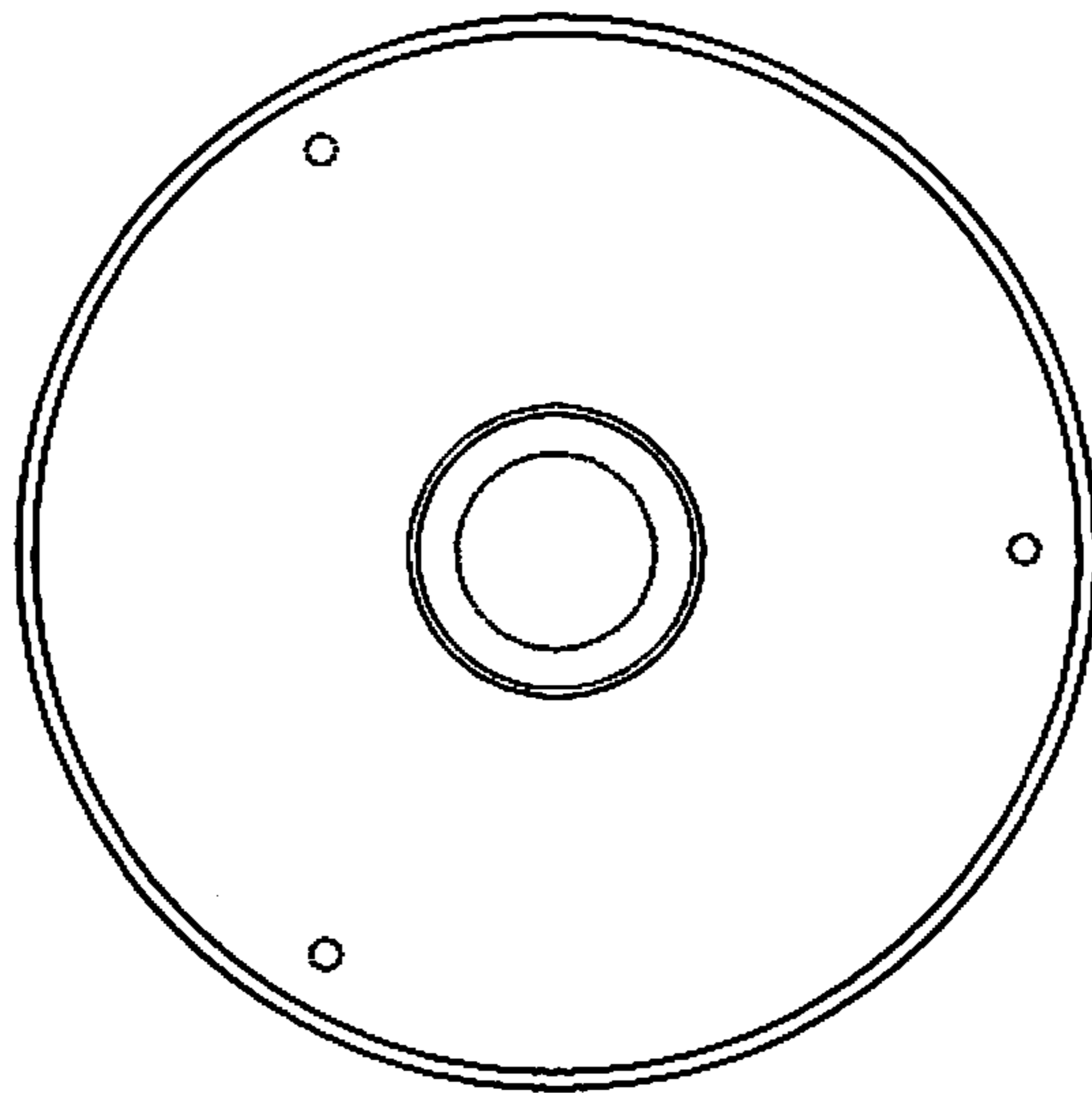


FIG. 3

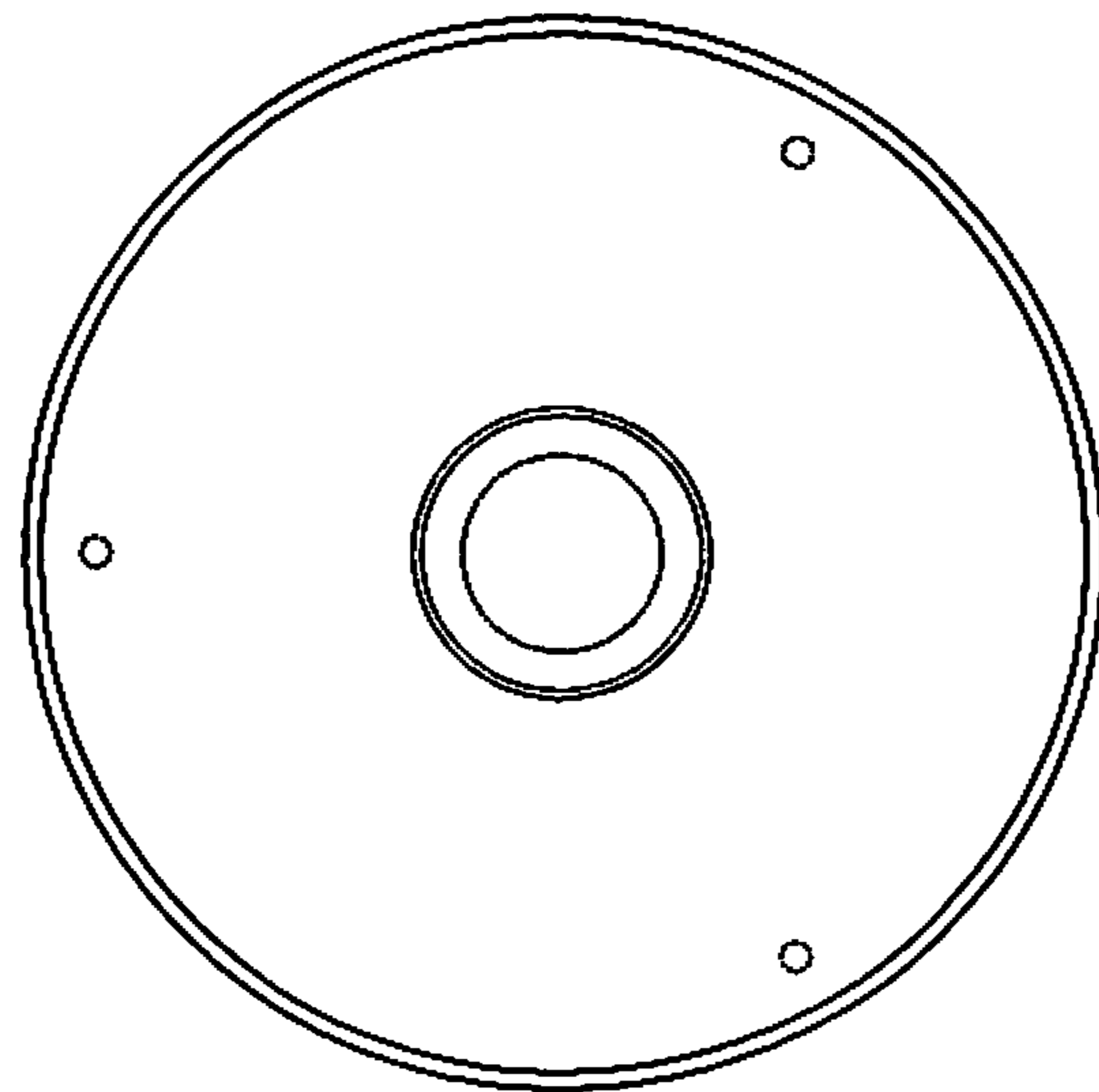


FIG. 4

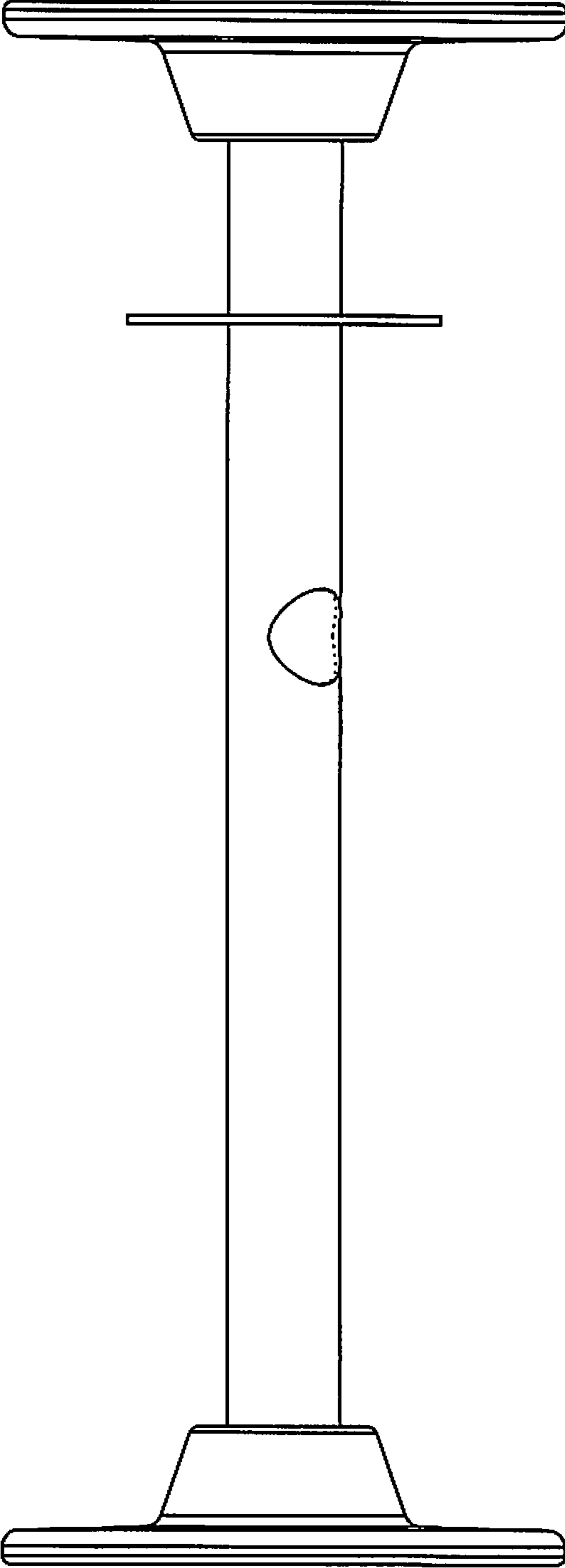


FIG. 5

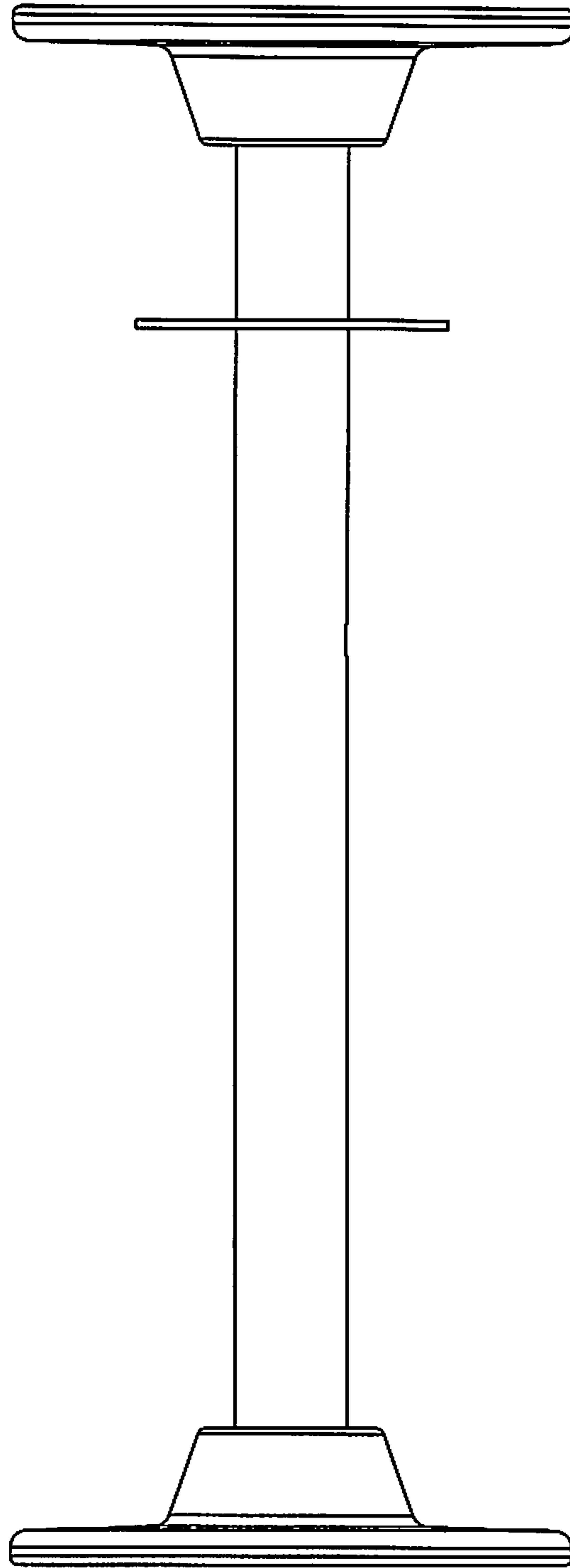


FIG. 6

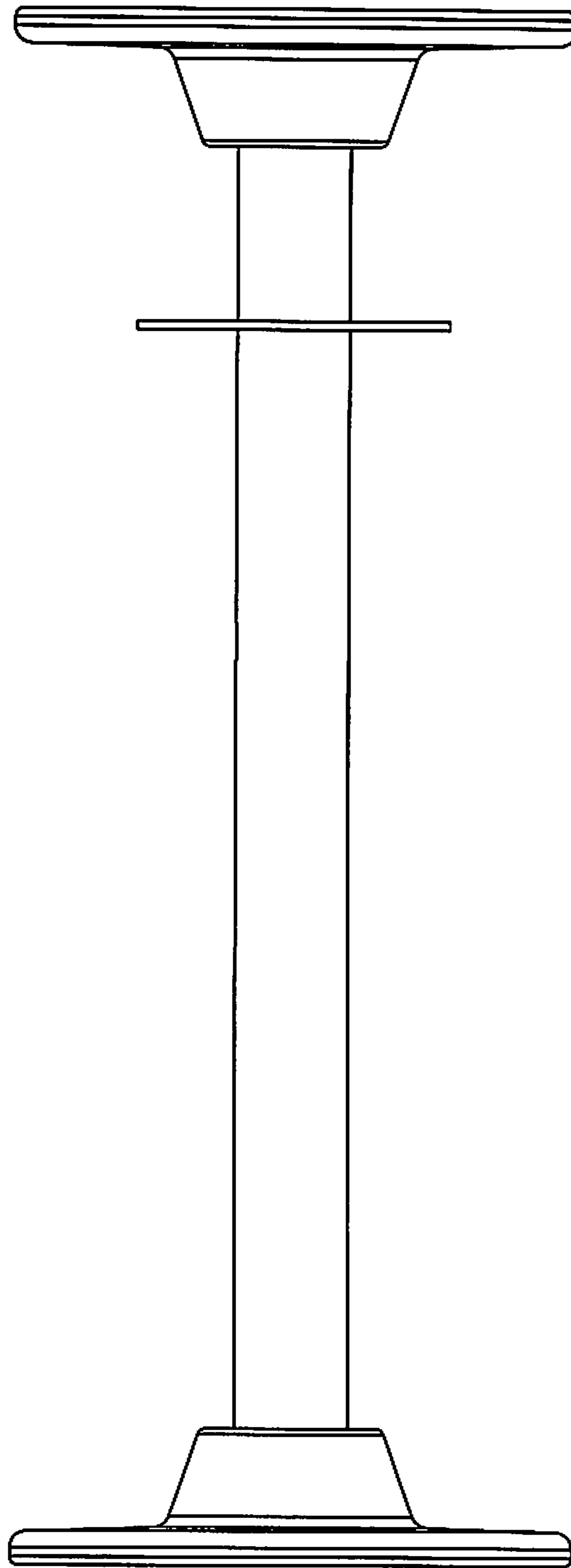


FIG. 7

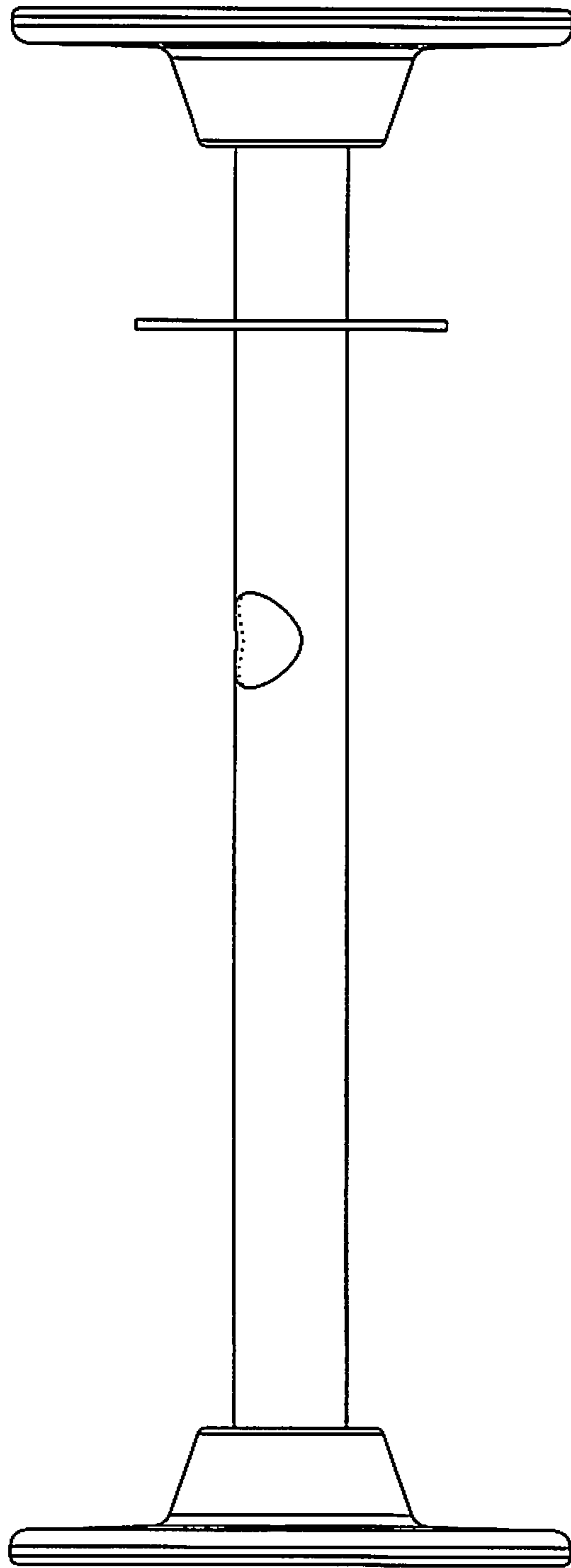


FIG. 8

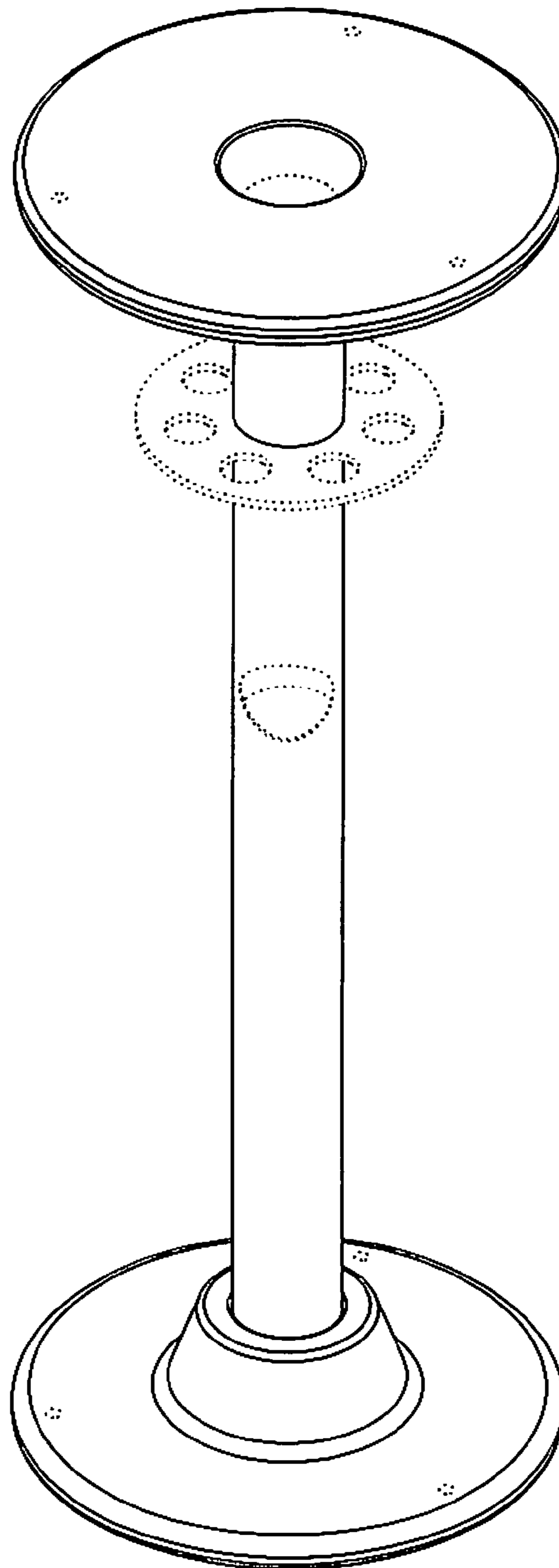


FIG. 9

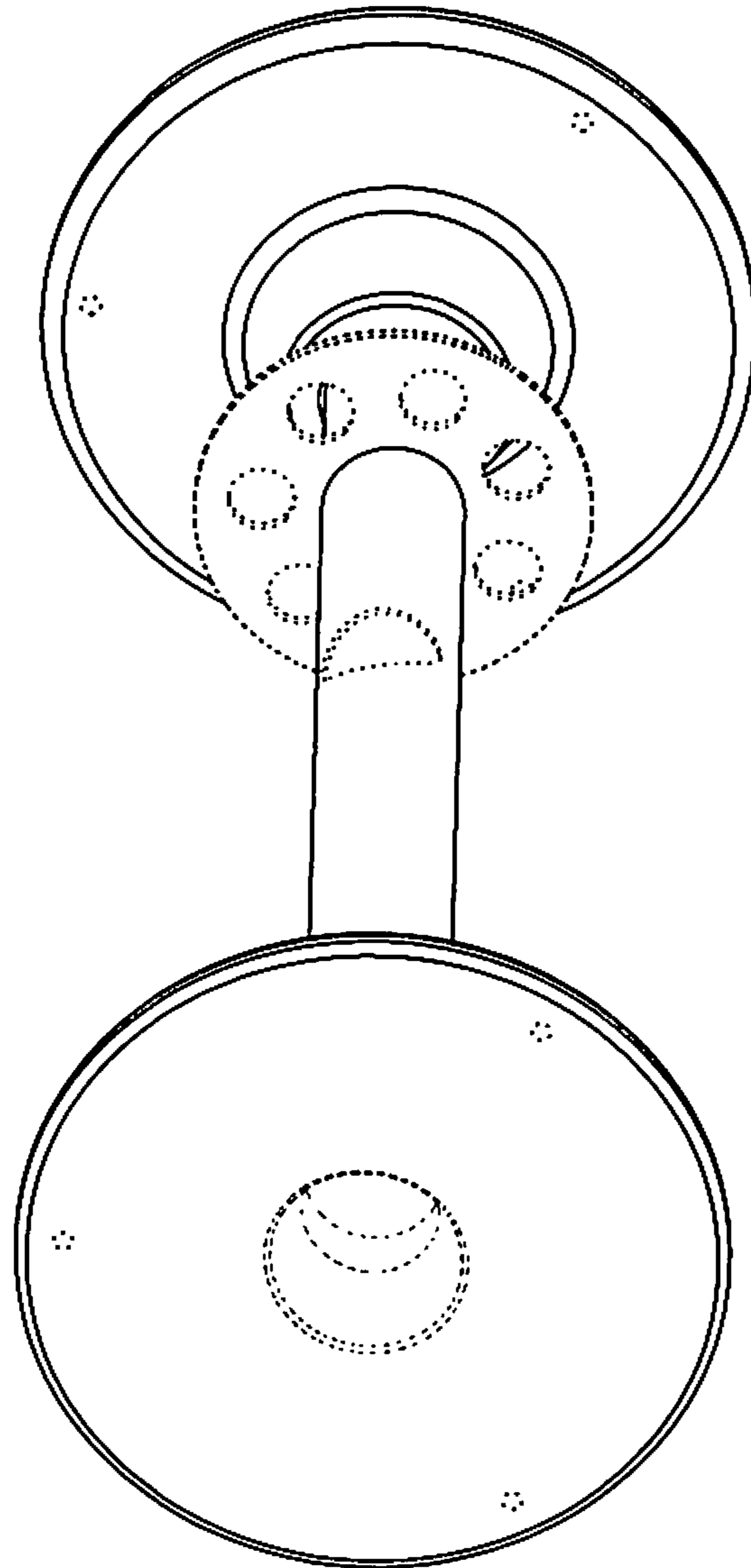


FIG. 10

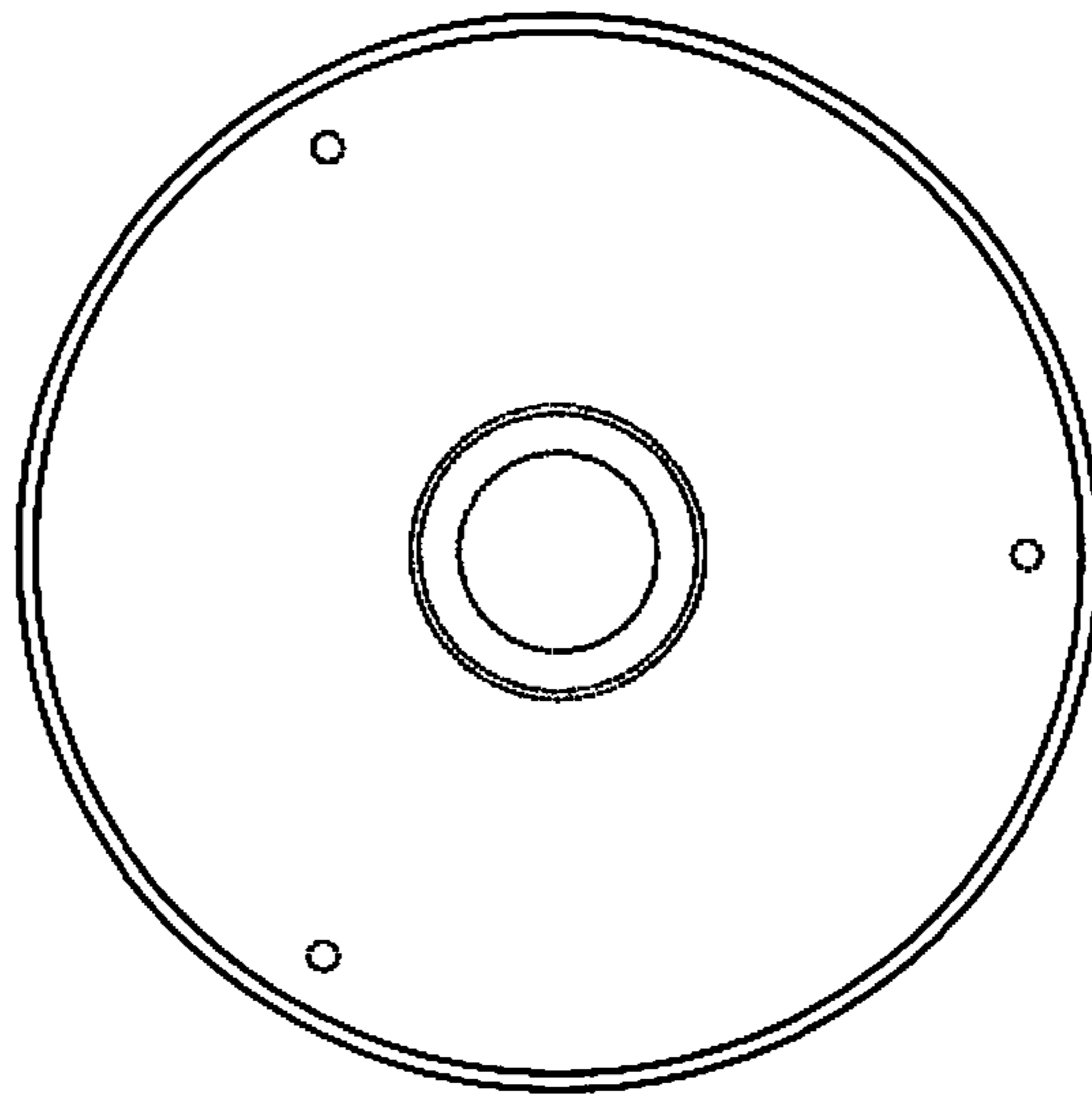


FIG. 11

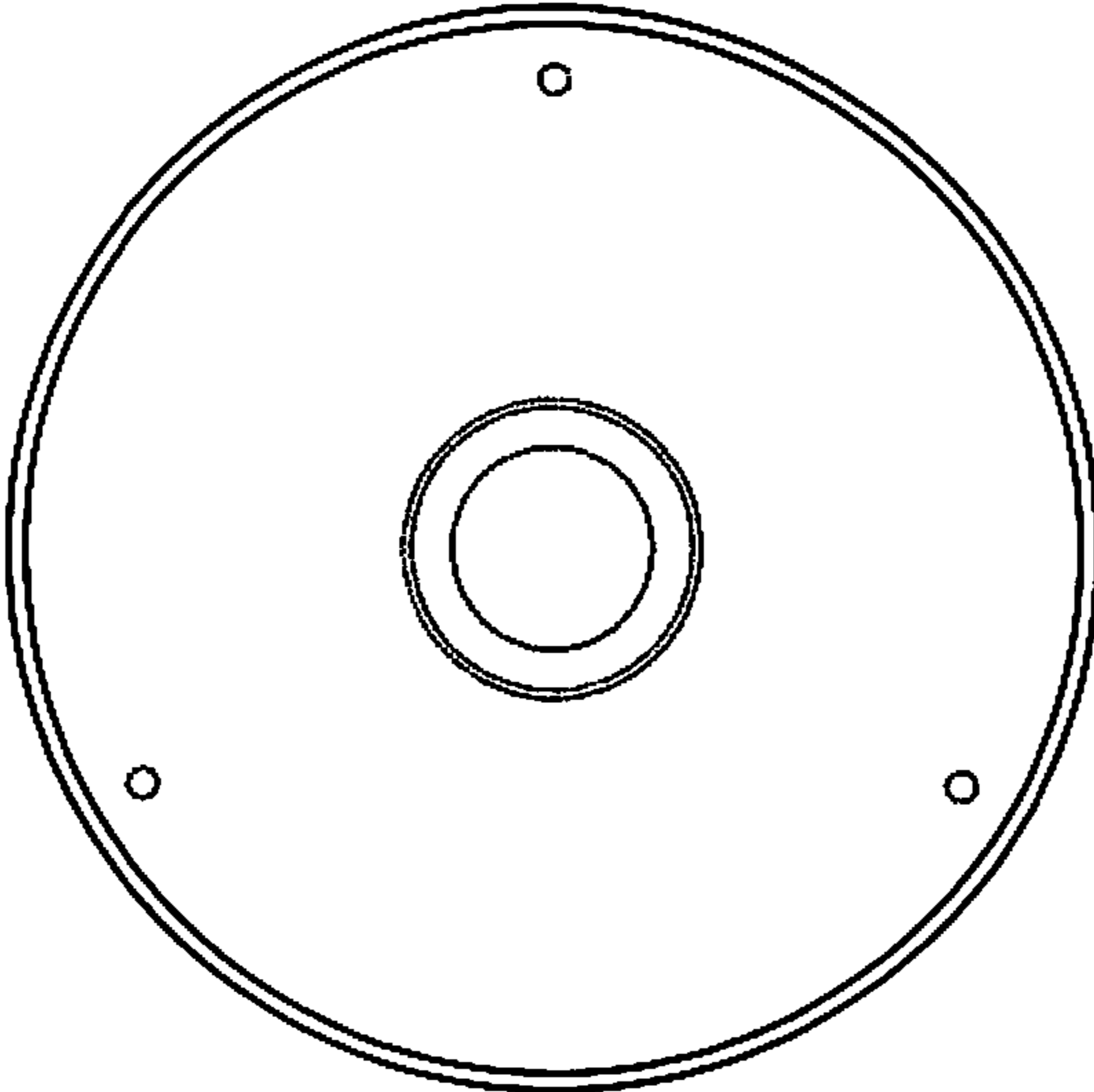


FIG. 12

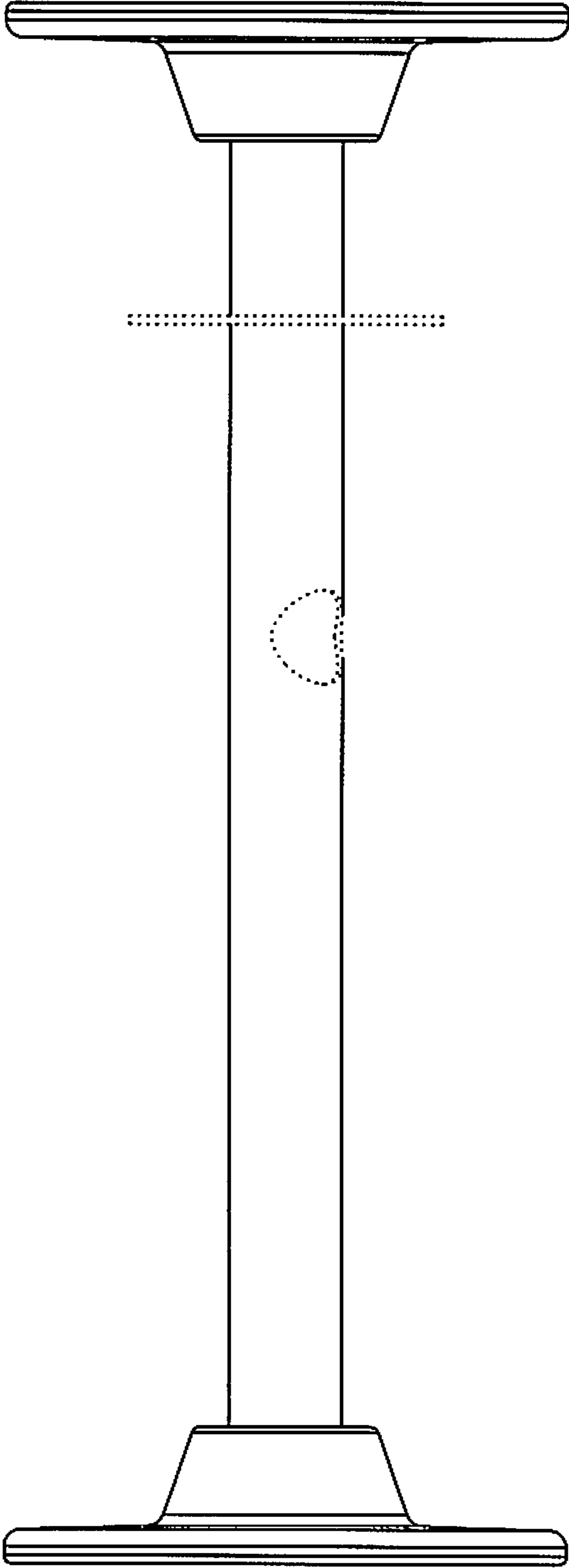


FIG. 13

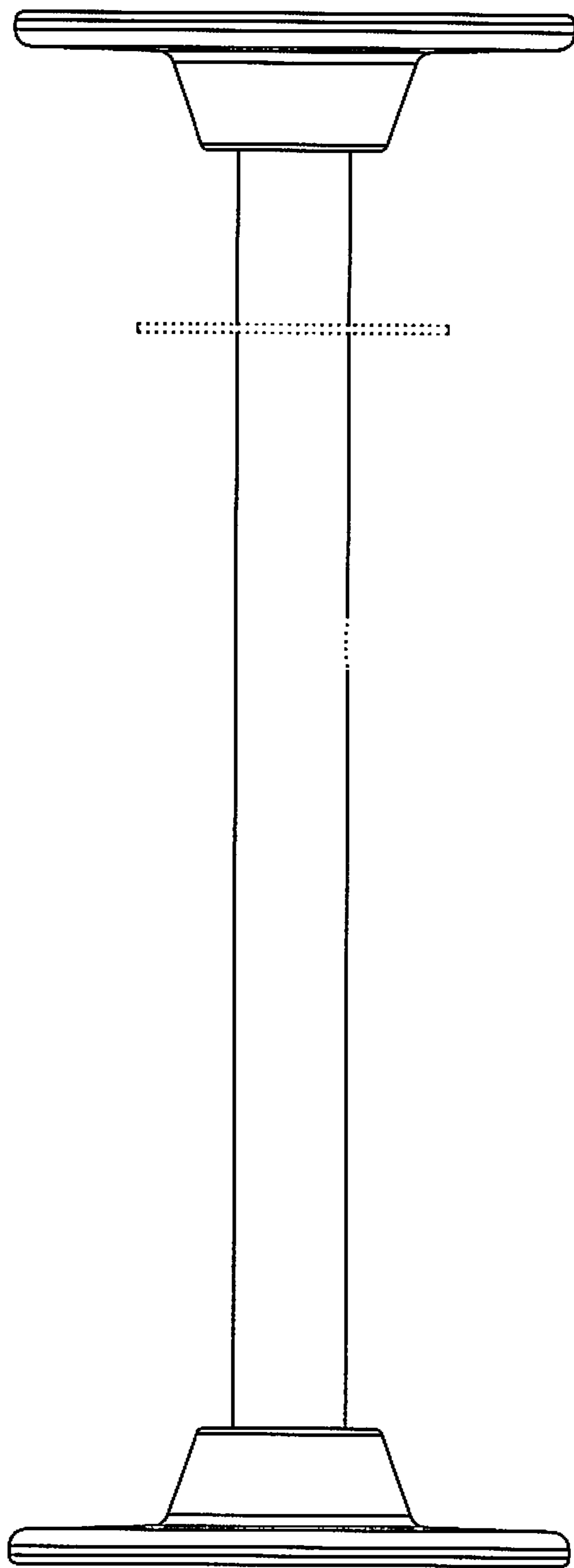


FIG. 14

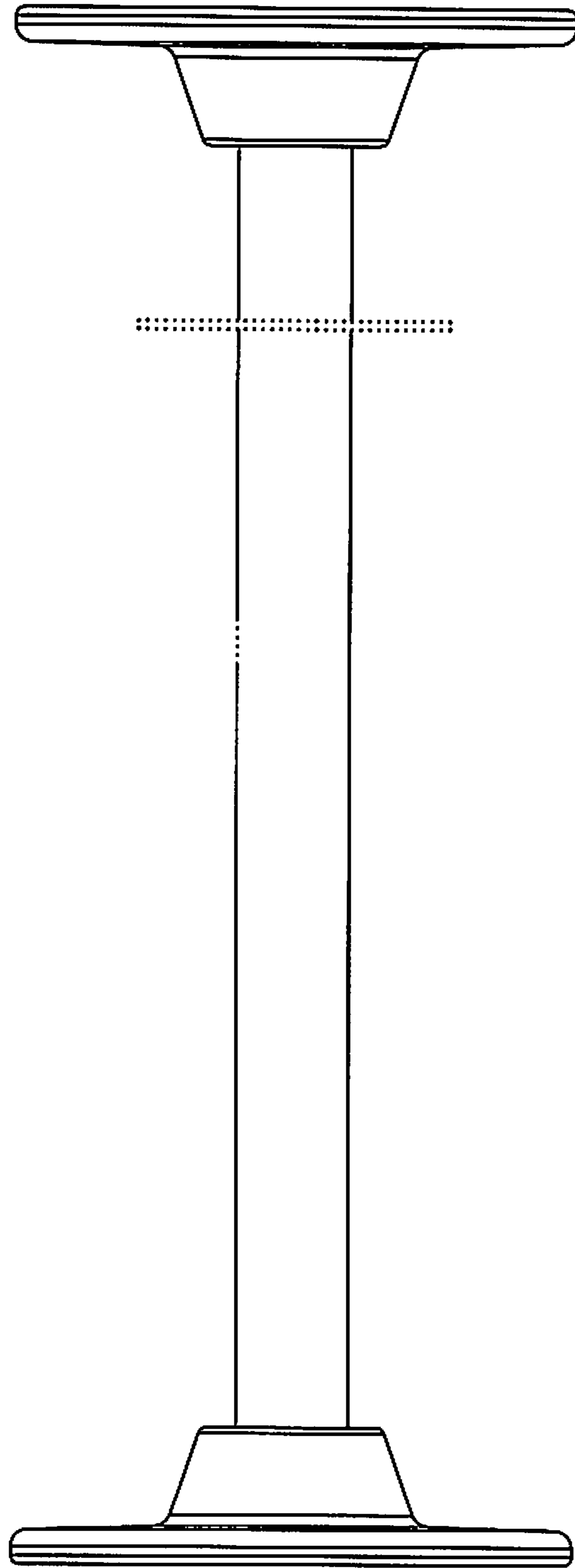


FIG. 15

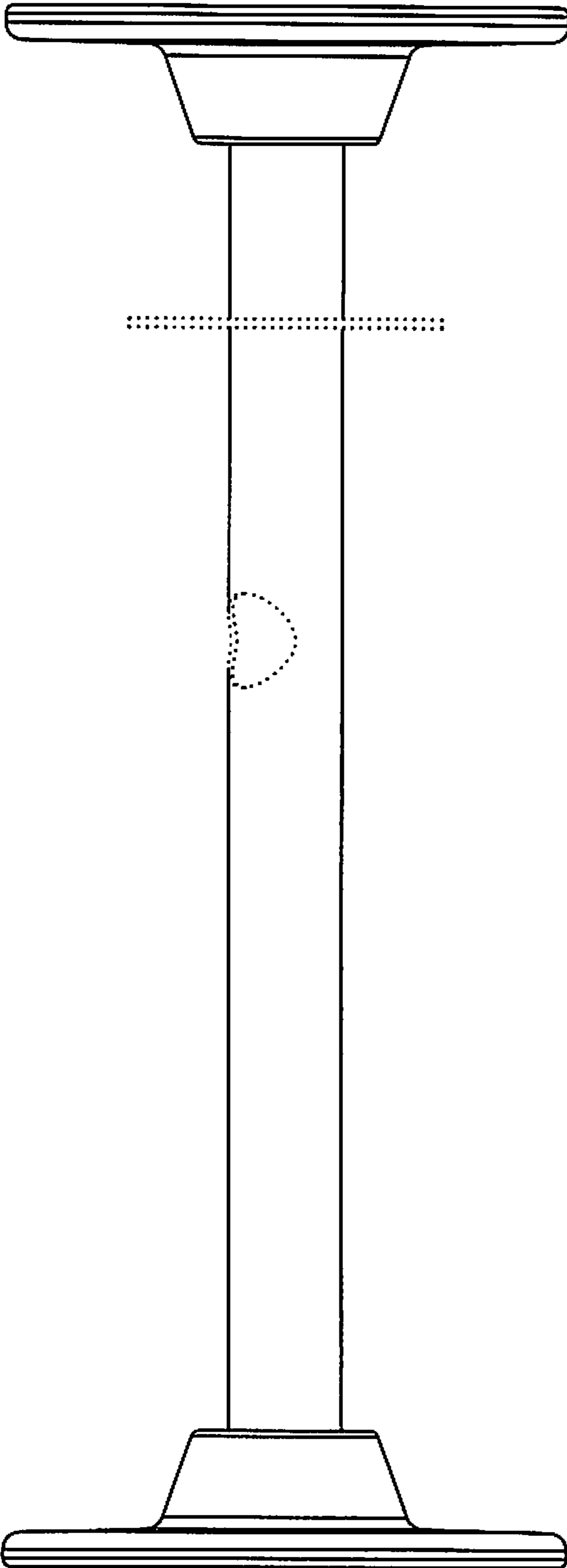


FIG. 16