



US00D718386S

(12) **United States Design Patent**
Packard et al.

(10) **Patent No.:** **US D718,386 S**
(45) **Date of Patent:** **** Nov. 25, 2014**

(54) **NOTE DISPENSER**

(71) Applicant: **3M Innovative Properties Company**,
St. Paul, MN (US)

(72) Inventors: **Joy A. Packard**, Somerset, WI (US);
Emily K. Vanderheyden, St. Paul, MN
(US); **Kenneth S. Hanna**, Bellingham,
WA (US)

(73) Assignee: **3M Innovative Properties Company**,
St. Paul, MN (US)

(**) Term: **14 Years**

(21) Appl. No.: **29/492,175**

(22) Filed: **May 29, 2014**

(51) **LOC (10) Cl.** **19-02**

(52) **U.S. Cl.**
USPC **D19/86**

(58) **Field of Classification Search**
USPC D6/515, 518; D9/734; D19/65, 78,
D19/86-92; 206/39.5, 215, 233, 494, 555;
221/45, 46, 48, 52, 59, 61, 63
See application file for complete search history.

(56) **References Cited**

U.S. PATENT DOCUMENTS

683,181	A	*	9/1901	Mereness	510/440
D293,338	S	*	12/1987	Evenson	D19/67
5,067,628	A	*	11/1991	Evenson	221/52
D332,889	S	*	2/1993	Hines	D6/518
D339,823	S	*	9/1993	Evenson	D19/75
D357,938	S	*	5/1995	Wolff	D19/86

D358,425	S	*	5/1995	Kirchhoff et al.	D19/86
D374,858	S	*	10/1996	Chu	D13/108
D551,715	S	*	9/2007	Chen et al.	D19/86
D555,731	S	*	11/2007	Nash et al.	D19/86
D566,190	S	*	4/2008	Kent et al.	D19/86
D576,790	S	*	9/2008	Swan	D3/218
D604,501	S	*	11/2009	Lee	D3/201
7,721,913	B2	*	5/2010	Nash et al.	221/60
D662,491	S	*	6/2012	Andre et al.	D14/217
D665,810	S	*	8/2012	Jones et al.	D14/440
D686,595	S	*	7/2013	Andre et al.	D14/217
D689,135	S	*	9/2013	Clover et al.	D19/86

* cited by examiner

Primary Examiner — Elizabeth Albert

(74) *Attorney, Agent, or Firm* — Irina Hass

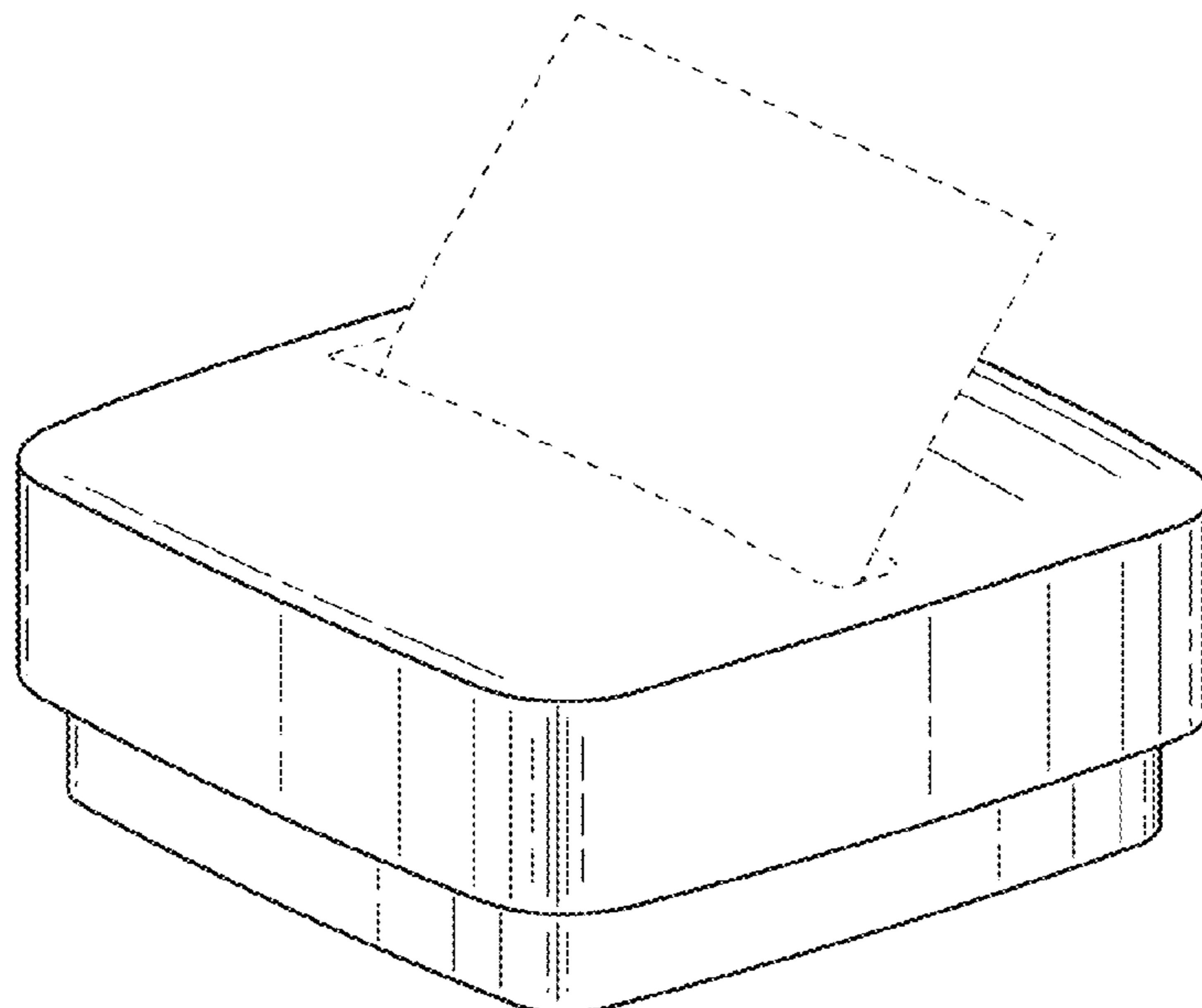
(57) **CLAIM**

The ornamental design for a note dispenser, as shown and described.

DESCRIPTION

FIG. 1 is a perspective view showing the new design for a note dispenser;
FIG. 2 is a front view thereof, the rear view being a mirror image thereof;
FIG. 3 is a right side view thereof, the left side view being a mirror image thereof;
FIG. 4 is a top view thereof;
FIG. 5 is a bottom view thereof; and,
FIG. 6 is a perspective view thereof showing the note dispenser with a note.
The portions of the note dispenser in FIGS. 1, 3, 4, and 6 shown in broken lines are included to show features that form no part of the claimed design.

1 Claim, 2 Drawing Sheets



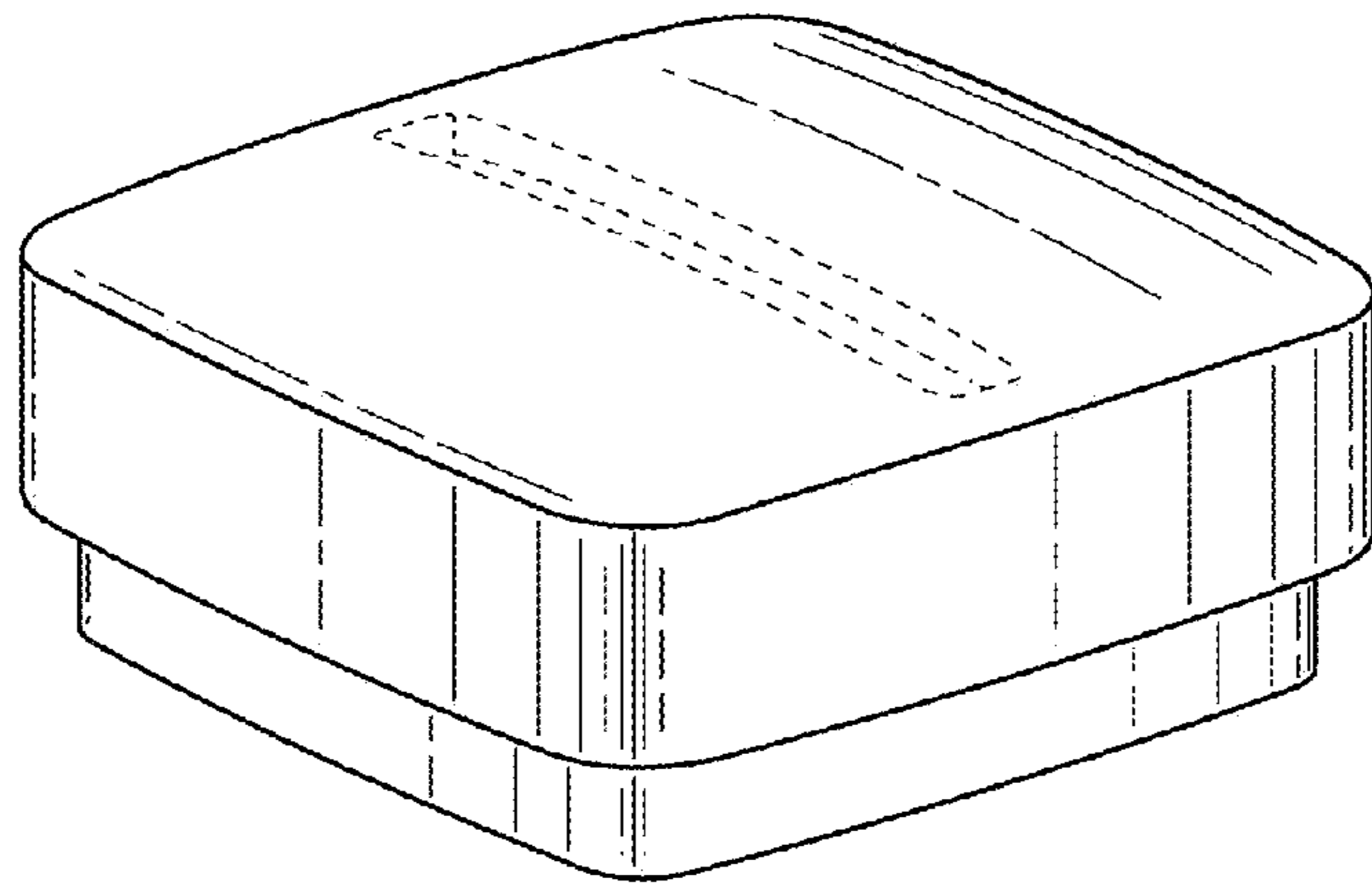


Fig. 1

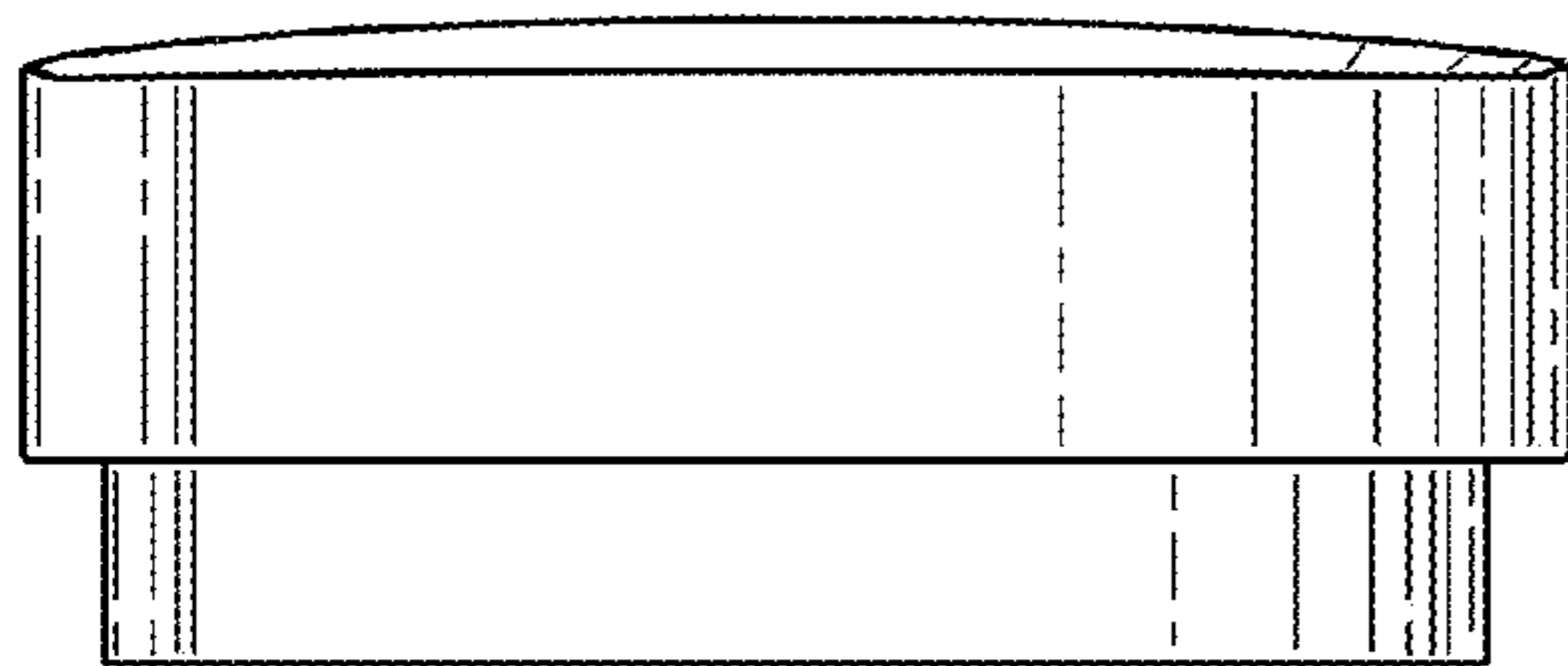


Fig. 2

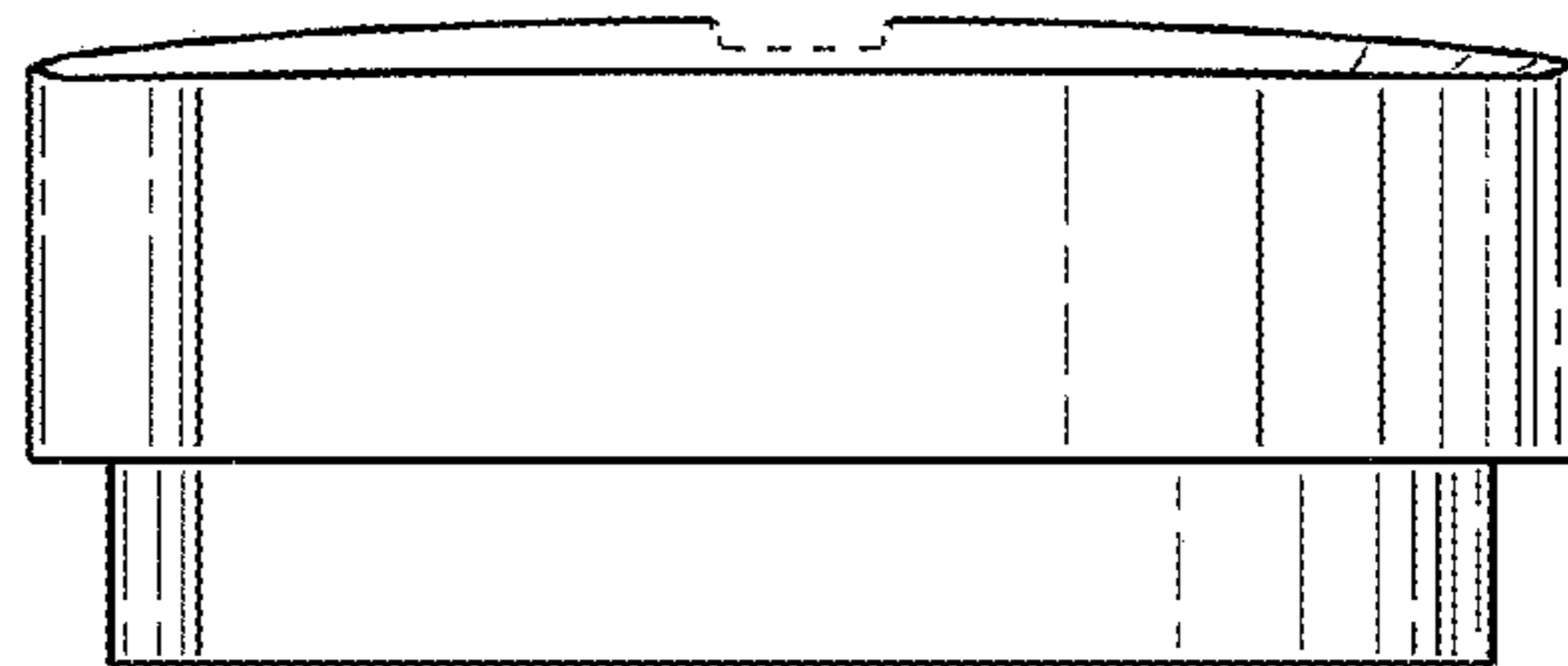


Fig. 3

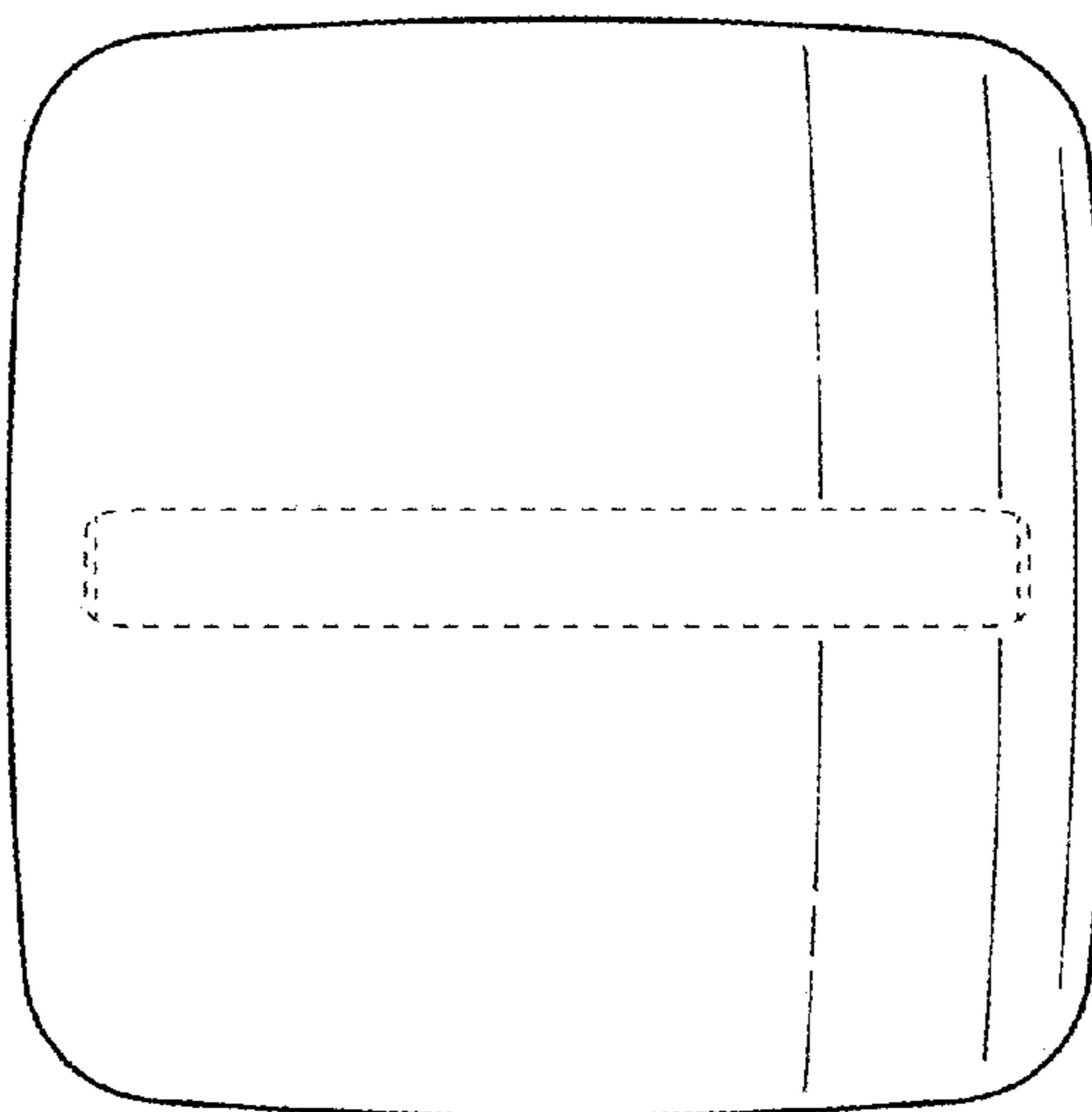


Fig. 4

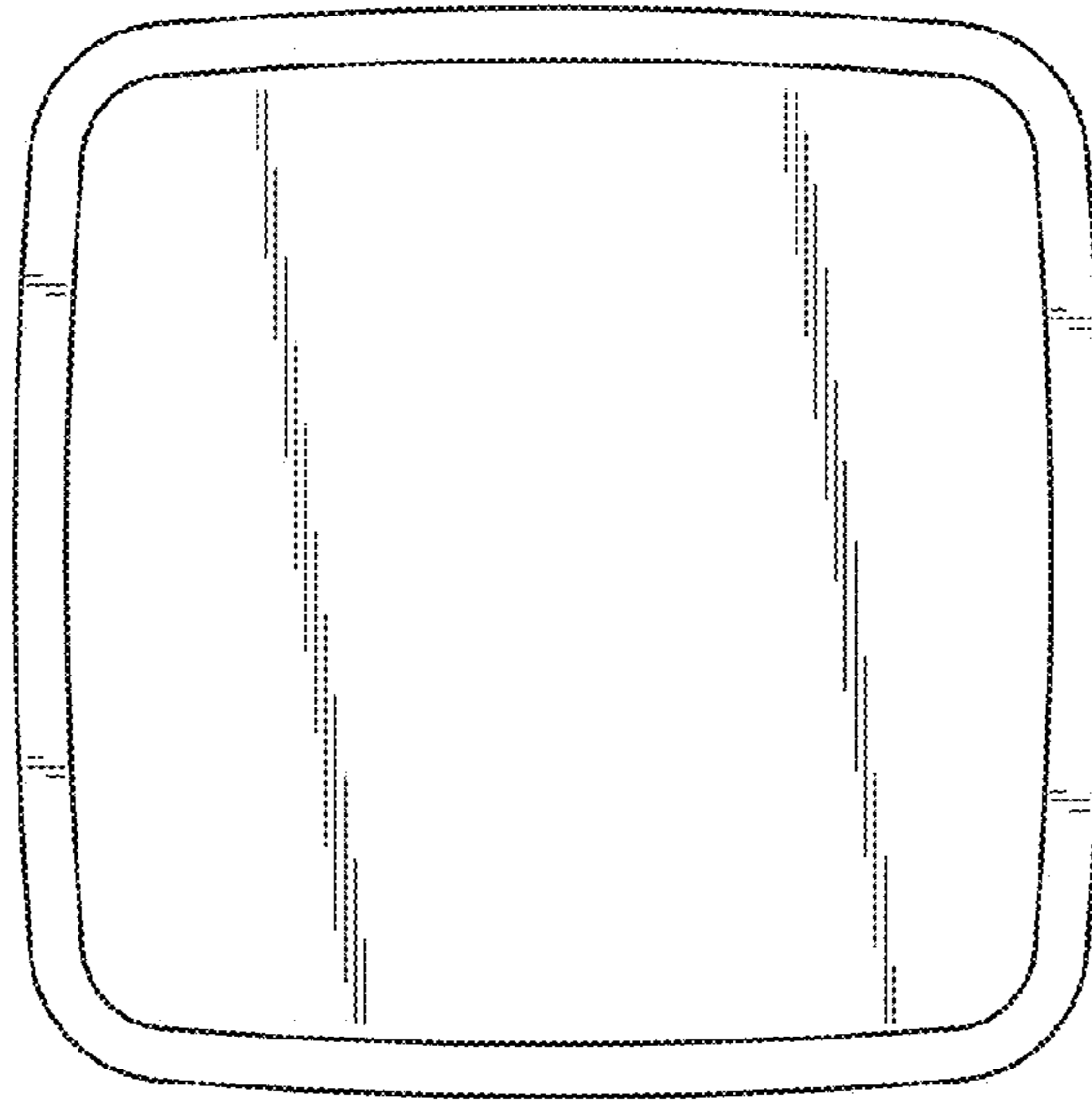


Fig. 5

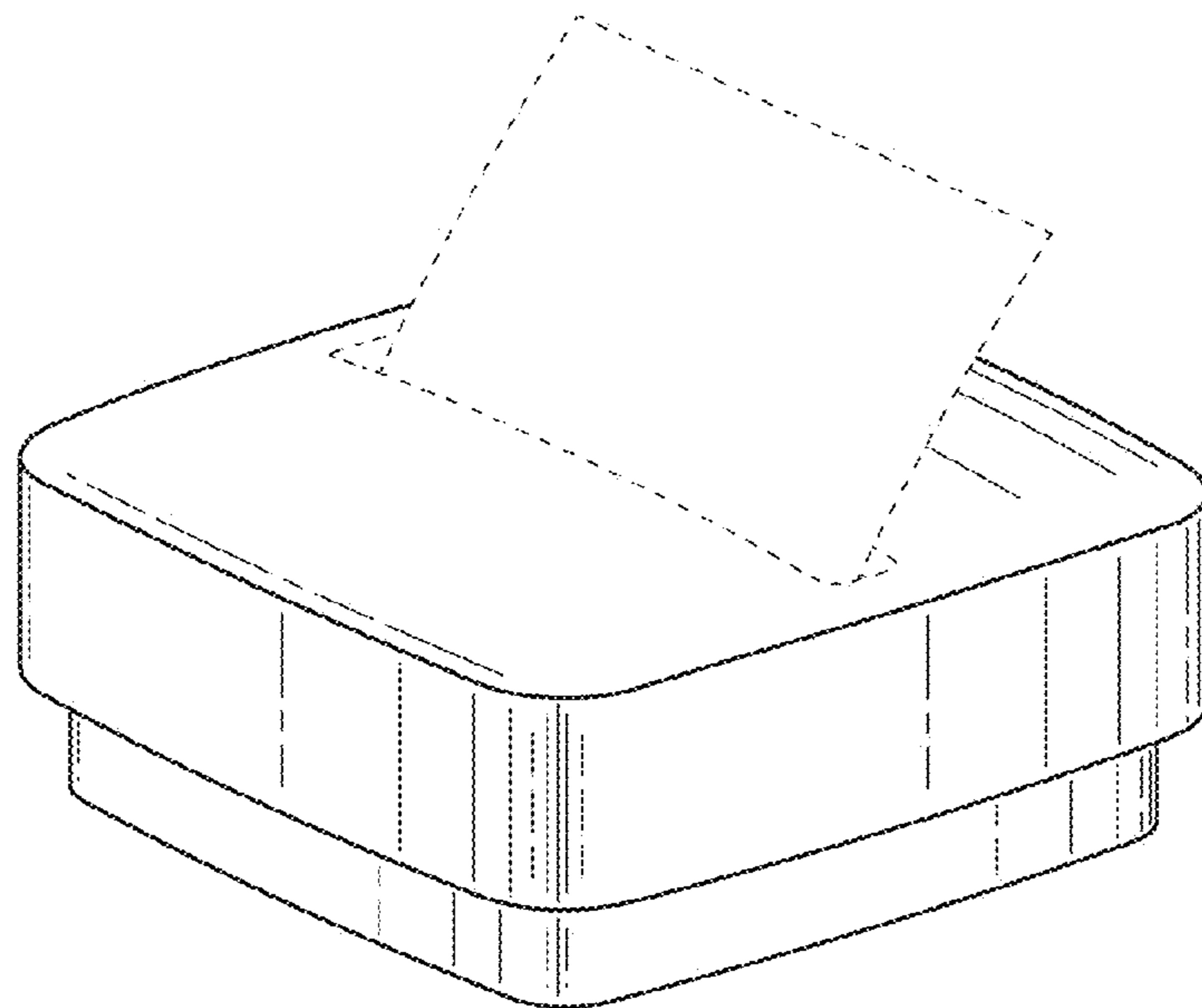


Fig. 6