



US00D718383S

(12) **United States Design Patent**
Lo et al.

(10) **Patent No.:** **US D718,383 S**

(45) **Date of Patent:** **** Nov. 25, 2014**

(54) **IMAGING DEVICE**

D664,192 S * 7/2012 Emmenegger et al. D18/50
D664,193 S * 7/2012 Larson et al. D18/55
D666,239 S * 8/2012 Larson et al. D18/55

(71) Applicant: **Hewlett-Packard Development Company, L.P.**, Houston, TX (US)

OTHER PUBLICATIONS

(72) Inventors: **Kevin Lo**, Vancouver, WA (US); **Dan R. Dwyer**, Vancouver, WA (US); **Mark M. Proia**, Vancouver, WA (US); **Stephen G. Brown**, Vancouver, WA (US); **Wesley R. Schalk**, Vancouver, WA (US); **David M. Wetchler**, Vancouver, WA (US)

One photograph of Brother MFC 9400, 9500 and 9900 series, found at <http://www.brother-usa.com/MFC/ModelDetail/4/MFC9460CDN/Overview#.UTokPVe7Ex1>. The Brother printer was on sale in the U.S. more than one-year prior to filing date of the subject application, that is, at least as early as Sep. 1, 2011, One (1) page.

(73) Assignee: **Hewlett-Packard Development Company, L.P.**, Houston, TX (US)

One photograph of Lexmark 700 series (no longer being produced), found at <http://blog.databazaar.com/2011/12/the-lexmark-prevail-pro-705-wireless-multifunction-ink>. The Lexmark printer was on sale in the U.S. more than one-year prior to the filing date of the subject application, that is, at least as early as Sep. 1, 2011, One (1) page.

(**) Term: **14 Years**

* cited by examiner

(21) Appl. No.: **29/433,067**

Primary Examiner — Cathy A MacCormac

(22) Filed: **Sep. 25, 2012**

(57) **CLAIM**

(51) **LOC (10) Cl.** **14-02**

The ornamental design for an imaging device, as shown and described herein.

(52) **U.S. Cl.**

USPC **D18/55**

DESCRIPTION

(58) **Field of Classification Search**

USPC D18/14, 19, 36-38, 50, 53, 54, 54.1, 55, D18/59; D14/420-425, 462-470; 400/613, 400/613.1-613.4, 690.1-690.4, 691-694
See application file for complete search history.

FIG. 1 is a top front and right side perspective view of an imaging device;
FIG. 2 is a top front and left side perspective view thereof;
FIG. 3 is a front elevation view thereof;
FIG. 4 is a rear elevation view thereof;
FIG. 5 is a left side elevation view thereof;
FIG. 6 is a right side elevation view thereof;
FIG. 7 is a top plan view thereof; and,
FIG. 8 is a bottom plan view thereof.

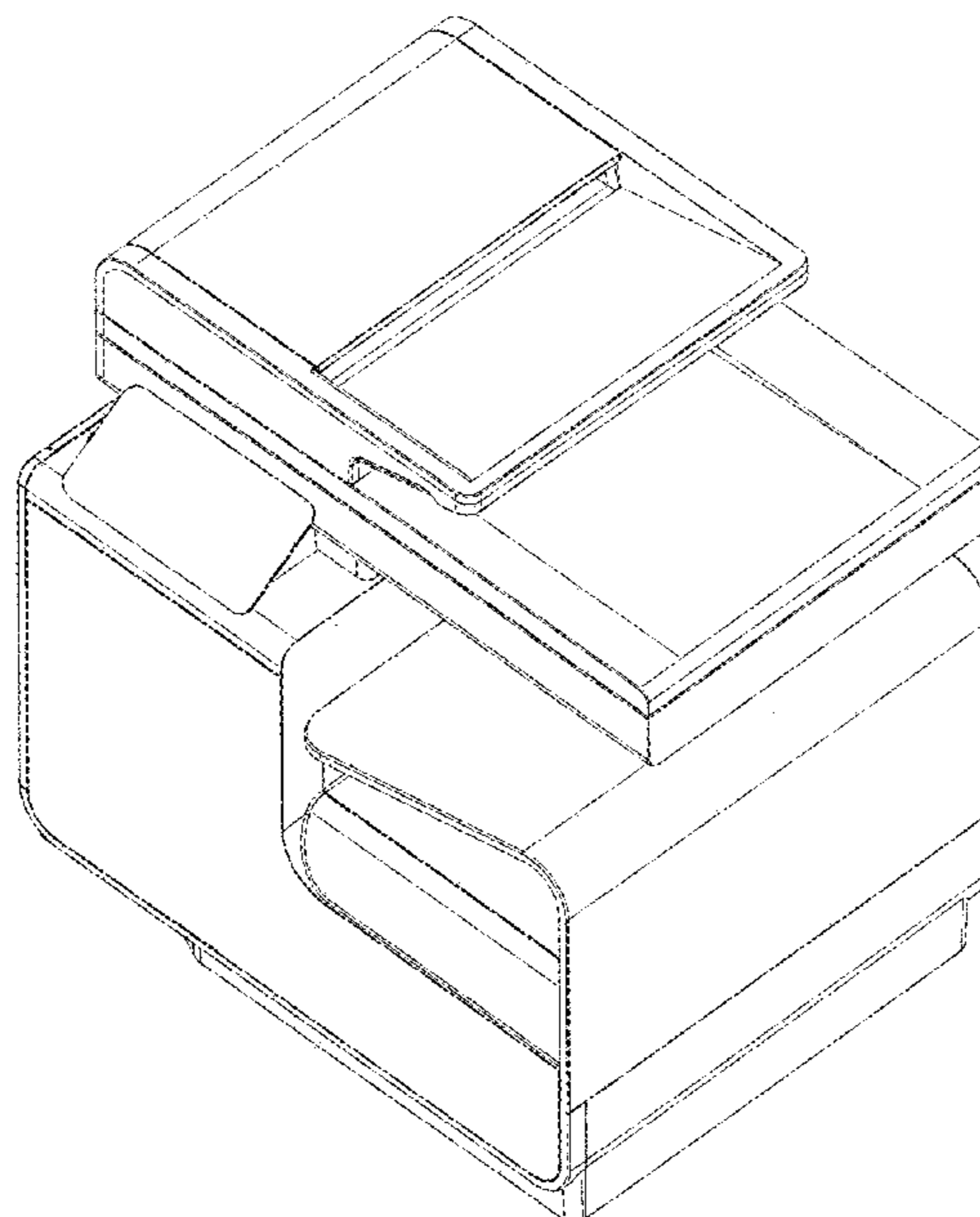
(56) **References Cited**

U.S. PATENT DOCUMENTS

D292,004 S * 9/1987 Fukuda D18/36
D501,019 S * 1/2005 Yoshida et al. D18/39
D532,450 S * 11/2006 Smith et al. D18/55
D555,194 S * 11/2007 Smith et al. D18/55
D558,824 S * 1/2008 Alfonso et al. D18/55
D645,897 S * 9/2011 Chuang et al. D18/50

Those portions of the Figures shown in broken lines are included for illustration only and form no part of the claimed design.

1 Claim, 8 Drawing Sheets



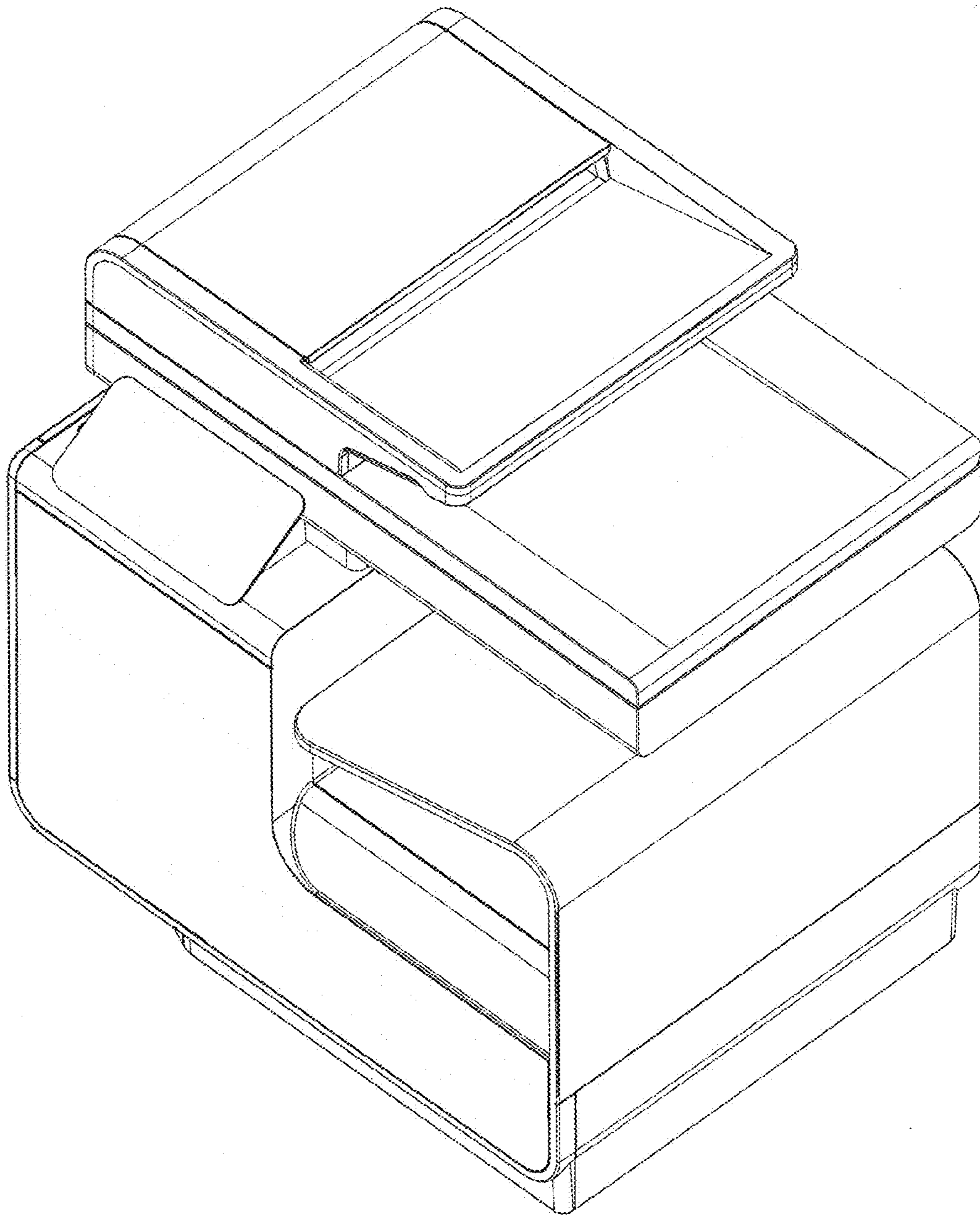


FIG. 1

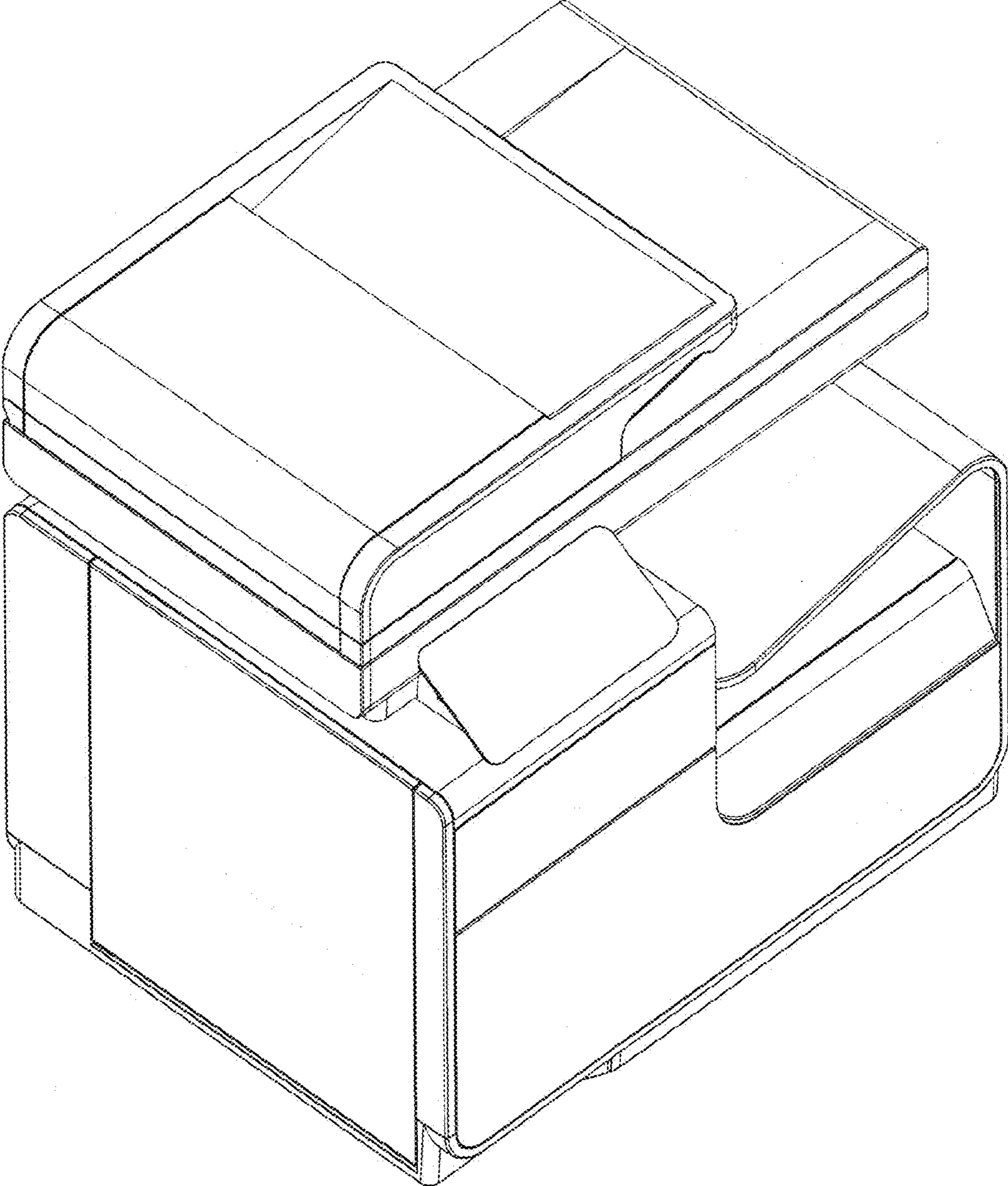


FIG. 2

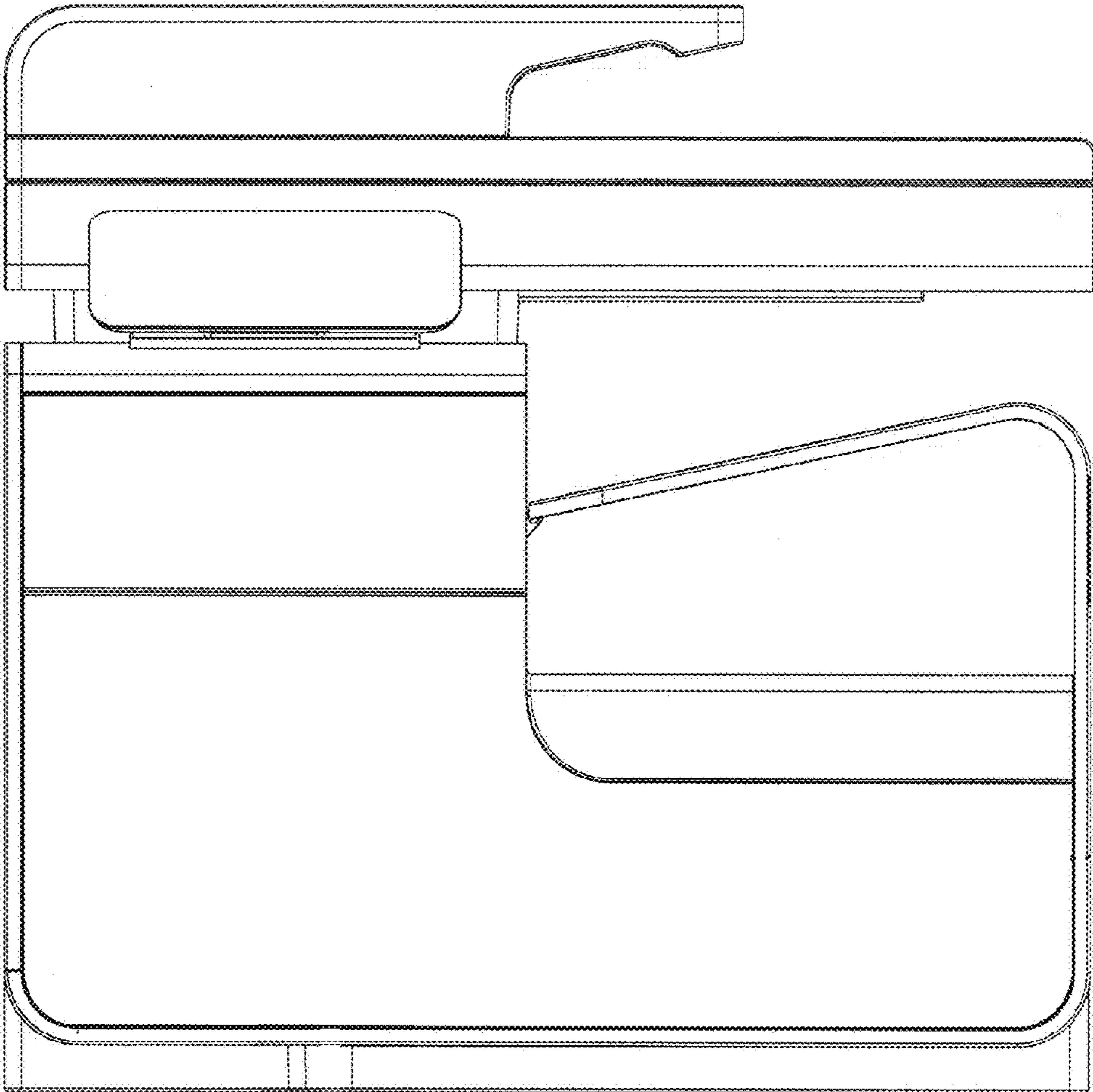


FIG. 3

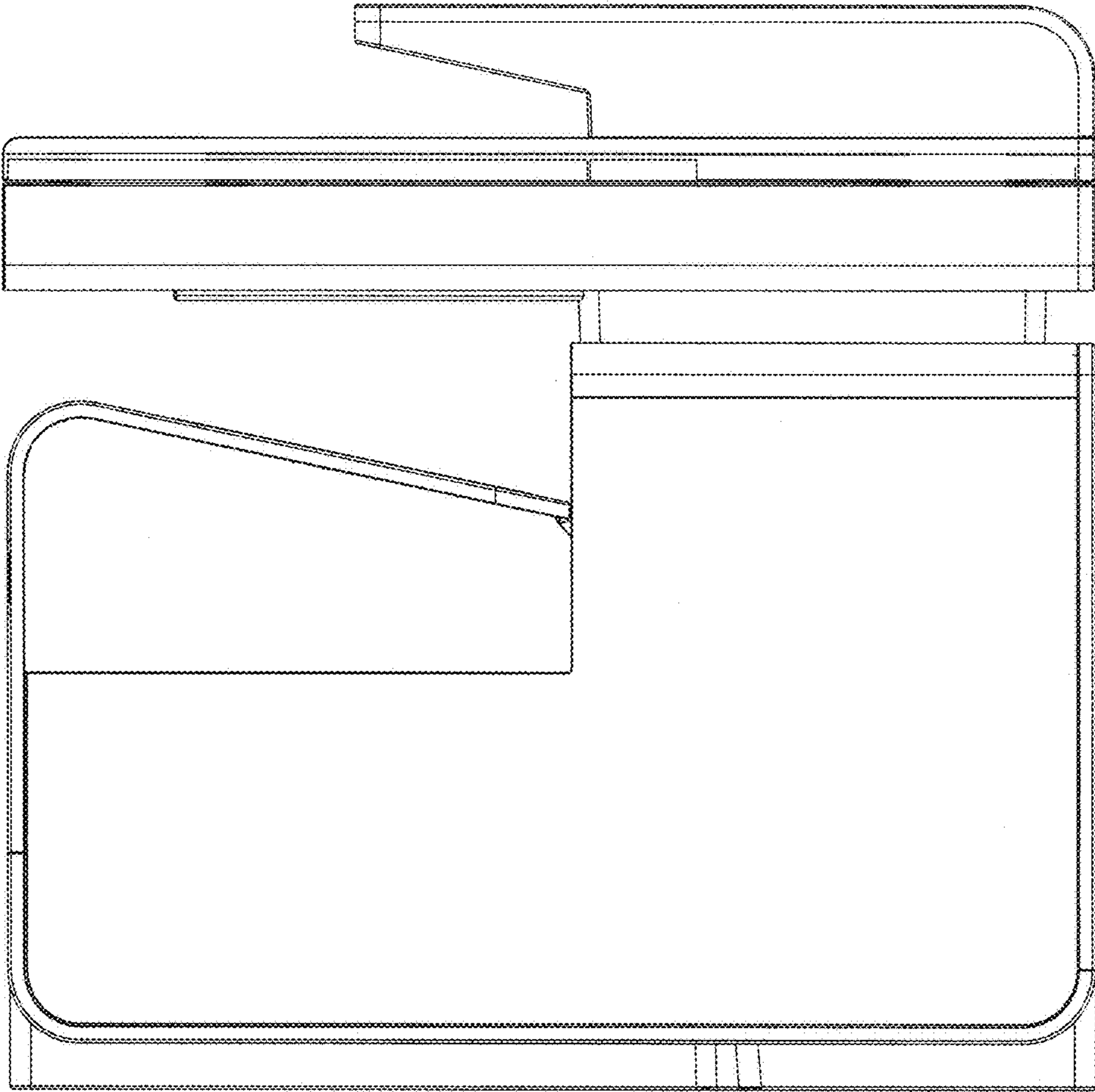


FIG. 4

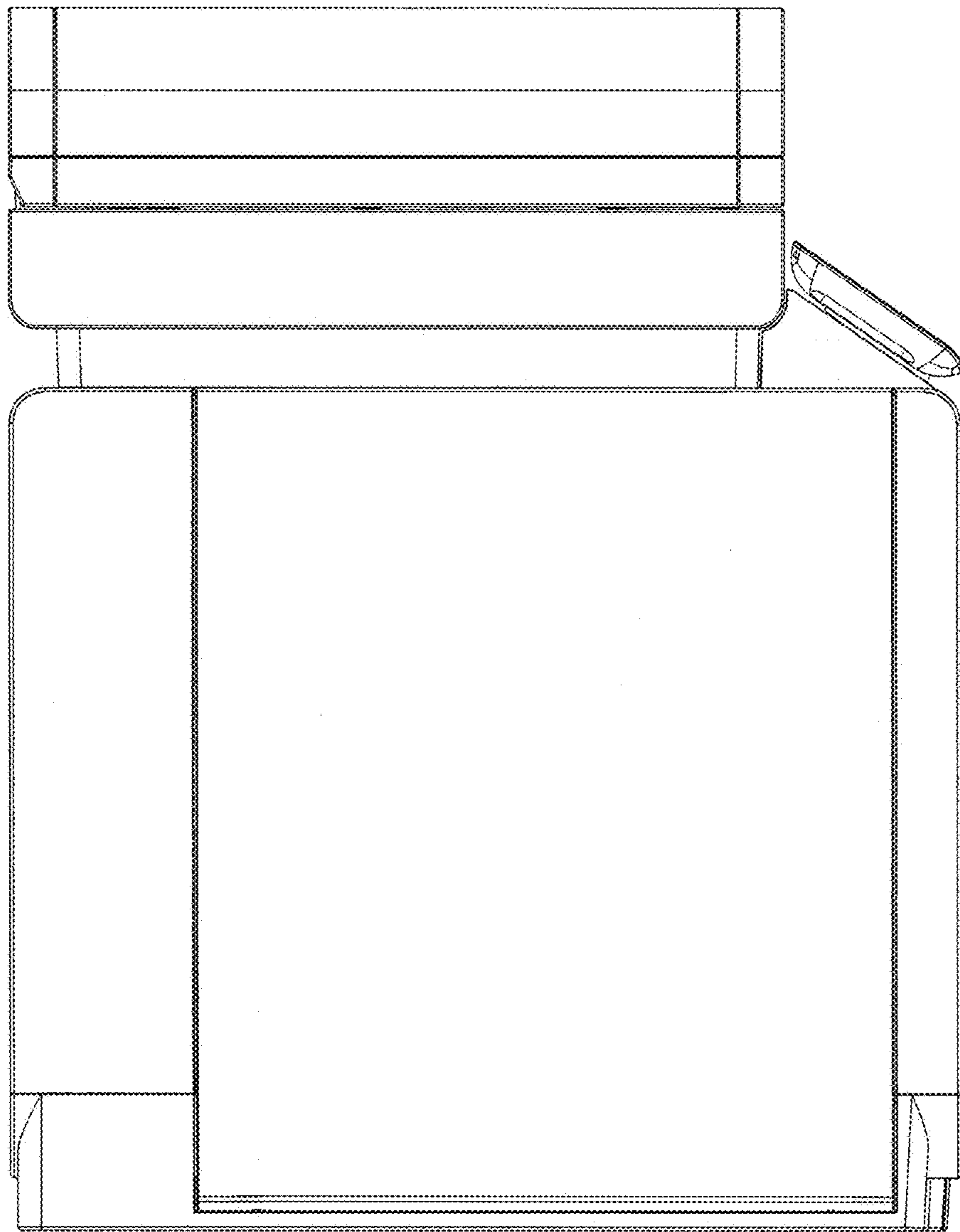


FIG. 5

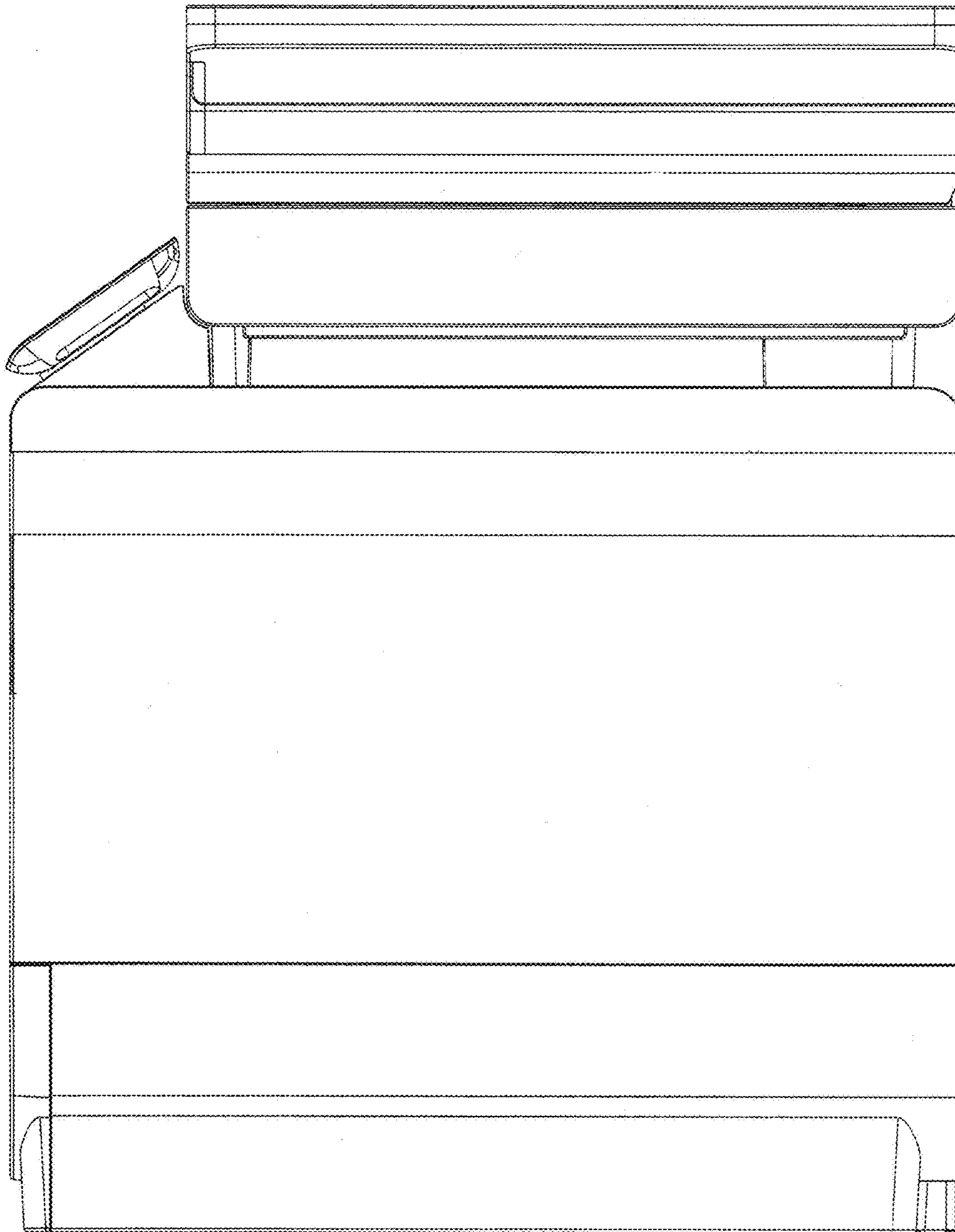


FIG. 6

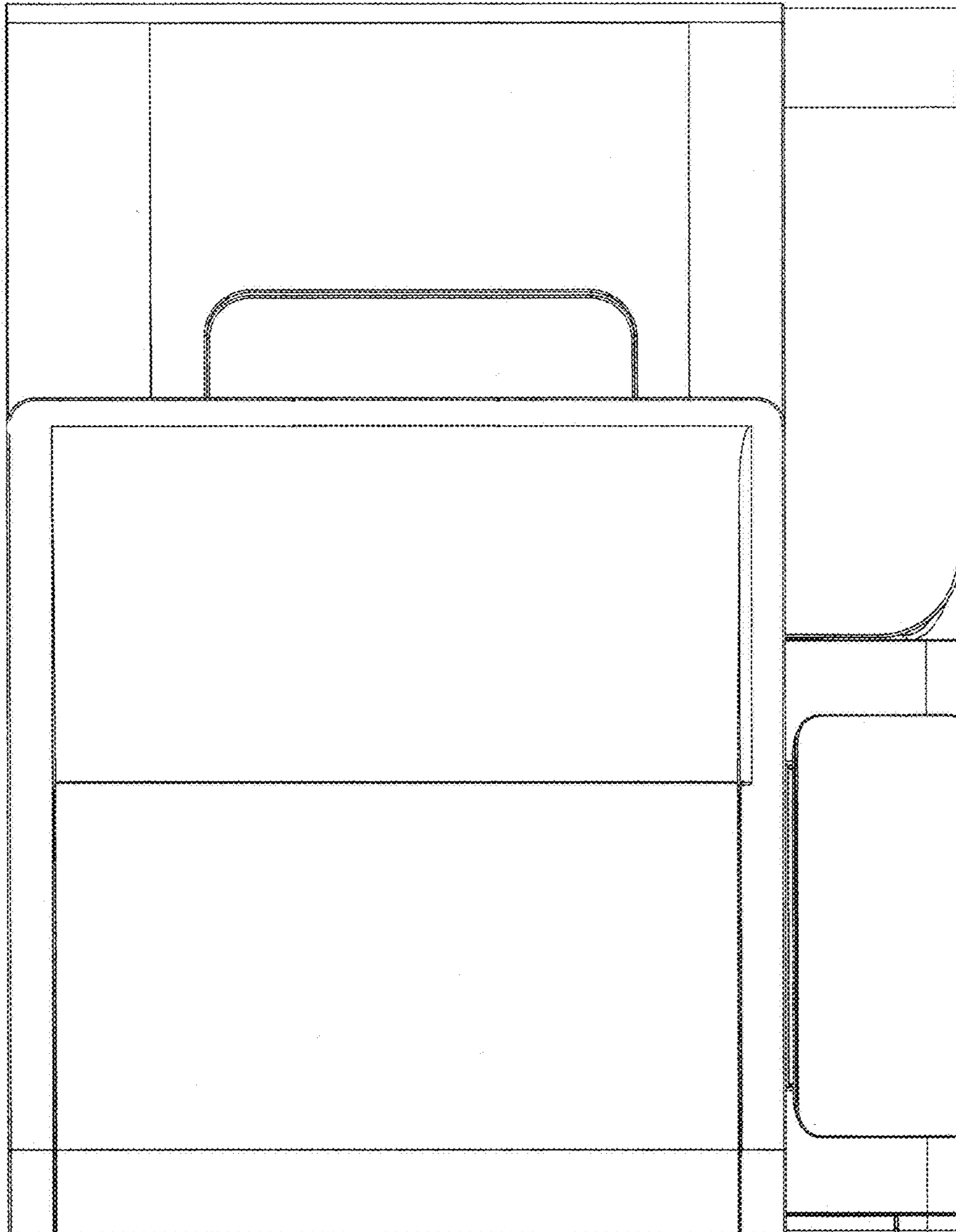


FIG. 7

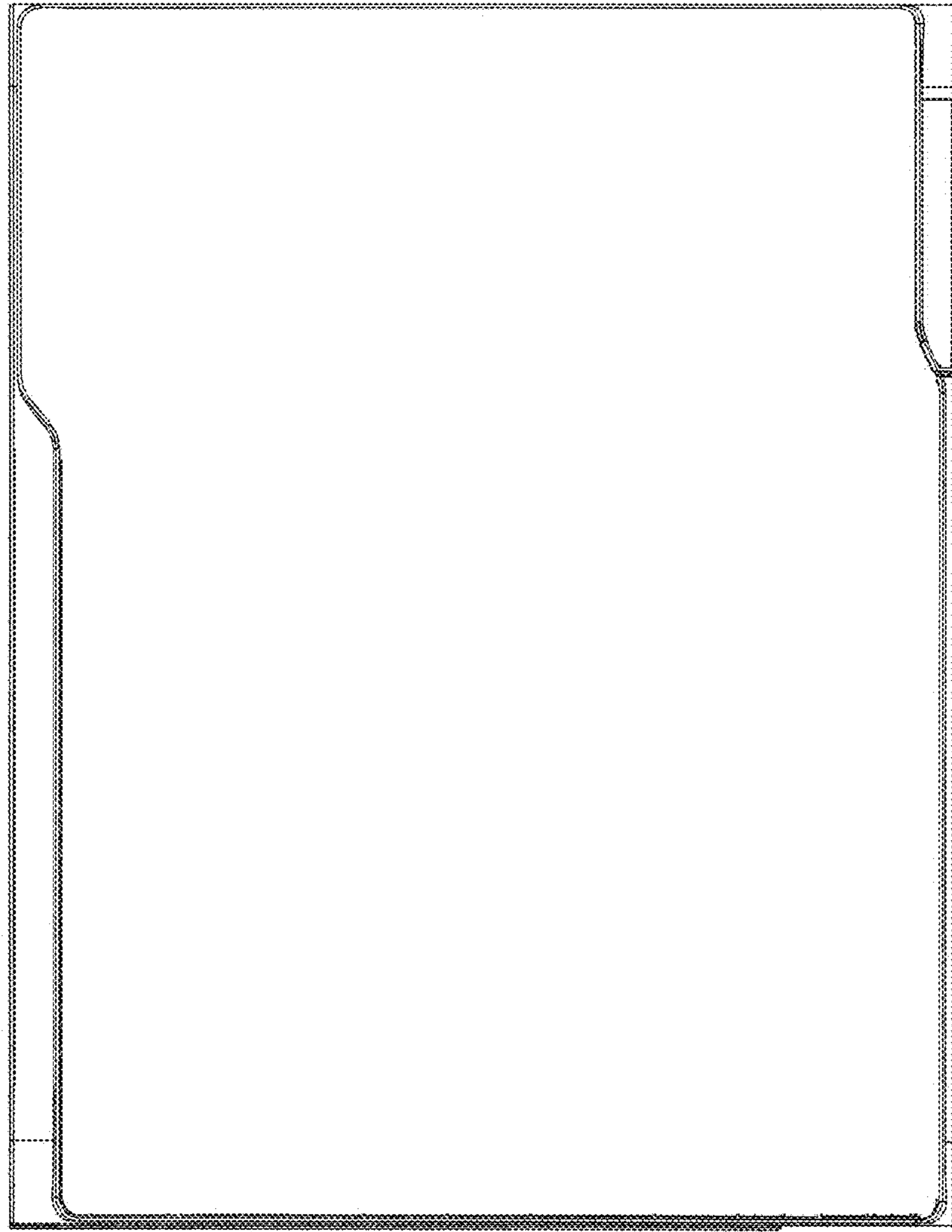


FIG. 8

UNITED STATES PATENT AND TRADEMARK OFFICE
CERTIFICATE OF CORRECTION

PATENT NO. : D718,383 S
APPLICATION NO. : 29/433067
DATED : November 25, 2014
INVENTOR(S) : Kevin Lo et al.

Page 1 of 1

It is certified that error appears in the above-identified patent and that said Letters Patent is hereby corrected as shown below:

On the title page item (72), Inventors, in column 1, line 2, delete "Vancouver" and insert
-- Vancouver --, therefor.

Signed and Sealed this
Nineteenth Day of May, 2015



Michelle K. Lee
Director of the United States Patent and Trademark Office