



US00D718382S

(12) **United States Design Patent**  
**Kikuchi et al.**

(10) **Patent No.:** **US D718,382 S**  
(45) **Date of Patent:** **\*\* Nov. 25, 2014**

(54) **POWDER CONTAINER**

(71) Applicants: **Kenji Kikuchi**, Ohta-ku (JP); **Shinji Tamaki**, Ohta-ku (JP)

(72) Inventors: **Kenji Kikuchi**, Ohta-ku (JP); **Shinji Tamaki**, Ohta-ku (JP)

(73) Assignee: **Ricoh Company, Ltd.**, Tokyo (JP)

(\*\*) Term: **14 Years**

(21) Appl. No.: **29/465,782**

(22) Filed: **Aug. 30, 2013**

(30) **Foreign Application Priority Data**

May 17, 2013 (JP) ..... 2013-010894

(51) **LOC (10) Cl.** ..... **16-03**

(52) **U.S. Cl.**  
USPC ..... **D18/43**

(58) **Field of Classification Search**

CPC ..... G03G 15/0832; G03G 15/5016; G03G 15/50; G03G 2215/0668; B41J 29/393  
USPC ..... D18/12, 36, 40, 43, 44, 50, 56; D14/471; 347/49, 50, 197, 222; 399/11, 106, 119, 120, 230, 258, 262; 222/DIG. 1

See application file for complete search history.

(56) **References Cited**

**U.S. PATENT DOCUMENTS**

D606,583 S \* 12/2009 Kurenuma et al. .... D18/43  
D636,016 S \* 4/2011 Naito et al. .... D18/43

(Continued)

**OTHER PUBLICATIONS**

U.S. Appl. No. 29/465,616, filed Aug. 29, 2013, Kikuchi, et al.

(Continued)

*Primary Examiner* — Thomas Johannes  
*Assistant Examiner* — Chelsea Sealey  
(74) *Attorney, Agent, or Firm* — Oblon, Spivak, McClelland, Maier & Neustadt, L.L.P.

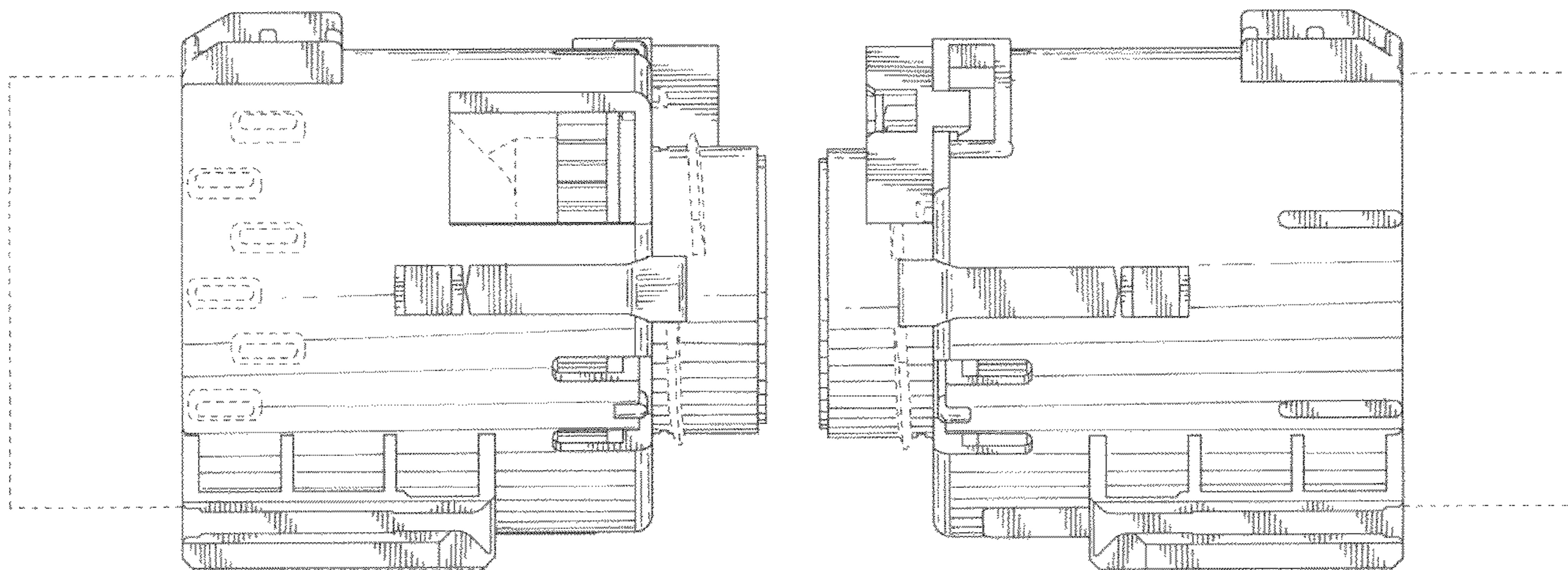
(57) **CLAIM**

The ornamental design for a powder container, as shown and described.

**DESCRIPTION**

FIG. 1 is a front elevation view of a powder container showing our new design;  
FIG. 2 is a rear elevation view thereof;  
FIG. 3 is a left side elevation view thereof;  
FIG. 4 is a right side elevation view thereof;  
FIG. 5 is a top plan view thereof;  
FIG. 6 is a bottom plan view thereof;  
FIG. 7 is an enlarged right side elevation view thereof;  
FIG. 8 is an enlarged front elevation view from callout 8 in FIG. 1 thereof;  
FIG. 9 is an enlarged rear elevation view from callout 9 in FIG. 2 thereof;  
FIG. 10 is an enlarged top plan view from callout 10 in FIG. 5 thereof;  
FIG. 11 is an enlarged bottom plan view from callout 11 in FIG. 6 thereof;  
FIG. 12 is a front, top, and right side perspective view thereof;  
FIG. 13 is a rear, top, and right side perspective view thereof;  
FIG. 14 is a rear, bottom, and right side perspective view thereof;  
FIG. 15 is a front, bottom, and right side perspective view thereof;  
FIG. 16 is an enlarged front, top, and right side perspective view from callout 16 in FIG. 12 thereof;  
FIG. 17 is an enlarged rear, top, and right side perspective view from callout 17 in FIG. 13 thereof;  
FIG. 18 is an enlarged rear, bottom, and right side perspective view from callout 18 in FIG. 14 thereof; and,  
FIG. 19 is an enlarged front, bottom, and right side perspective from callout 19 in FIG. 15 thereof.  
The evenly segmented broken lines indicate unclaimed portions of the article and form no part of the claimed design. The dot dash broken line callout frame indicates cutoff boundaries for enlarged detailed portion views and form no part of the claimed design.

**1 Claim, 10 Drawing Sheets**



(56)

**References Cited**

**OTHER PUBLICATIONS**

U.S. PATENT DOCUMENTS

D636,436	S	*	4/2011	Takami	.....	D18/43
D636,813	S	*	4/2011	Kikuchi et al.	.....	D18/43
D648,781	S	*	11/2011	Sakai et al.	.....	D18/43
D650,414	S	*	12/2011	Takami	.....	D18/43
D652,074	S	*	1/2012	Sakai et al.	.....	D18/43
D656,181	S	*	3/2012	Kikuchi et al.	.....	D18/43
2013/0272750	A1		10/2013	Matsumoto et al.		

U.S. Appl. No. 29/465,623, filed Aug. 29, 2013, Kikuchi, et al.  
U.S. Appl. No. 29/465,626, filed Aug. 29, 2013, Kikuchi, et al.  
U.S. Appl. No. 29/465,616, filed Aug. 29, 2013.  
U.S. Appl. No. 29/465,623, filed Aug. 29, 2013.  
U.S. Appl. No. 29/465,626, filed Aug. 29, 2013.

\* cited by examiner

FIG.1

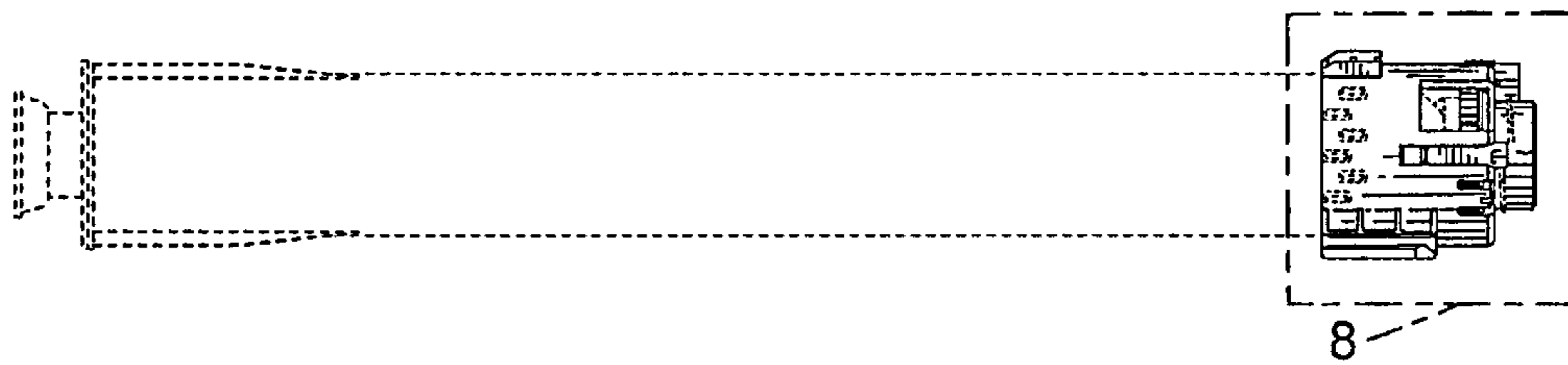


FIG.2

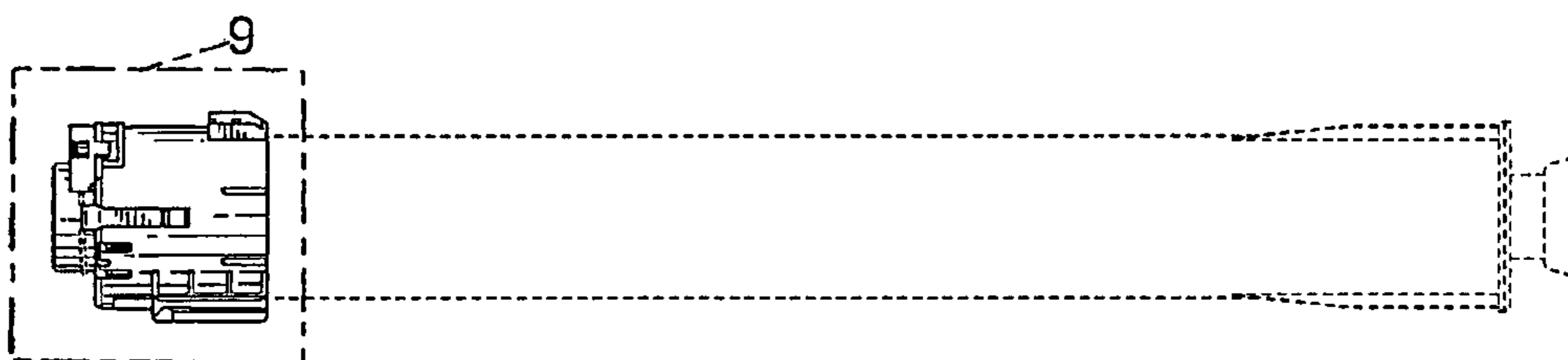


FIG.3

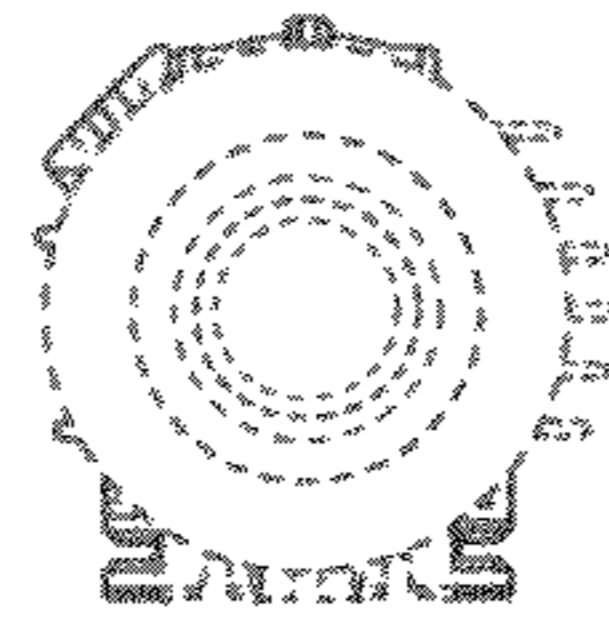


FIG.4

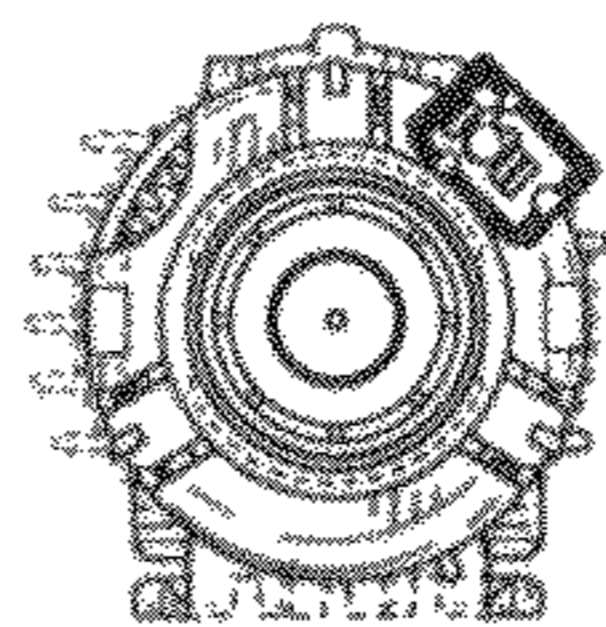


FIG.5

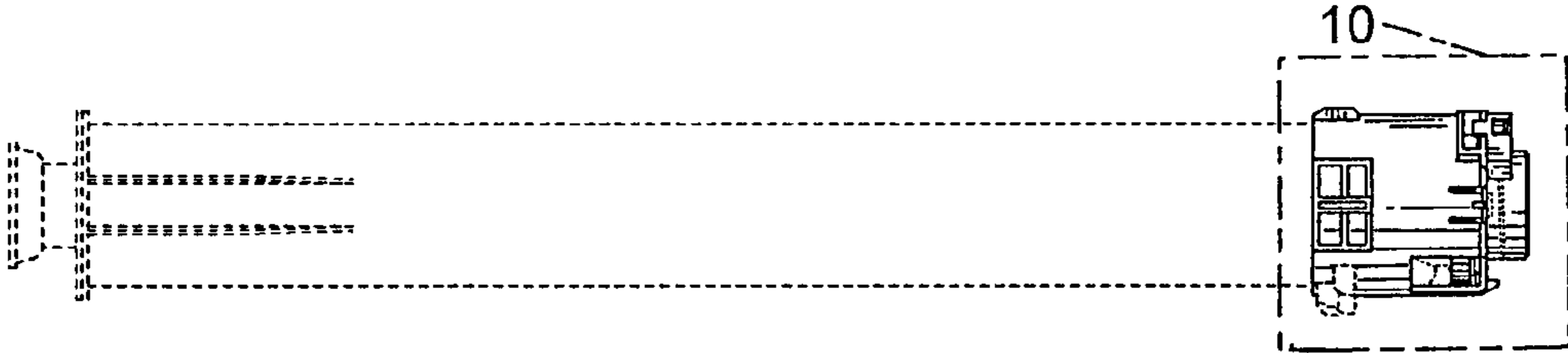


FIG.6

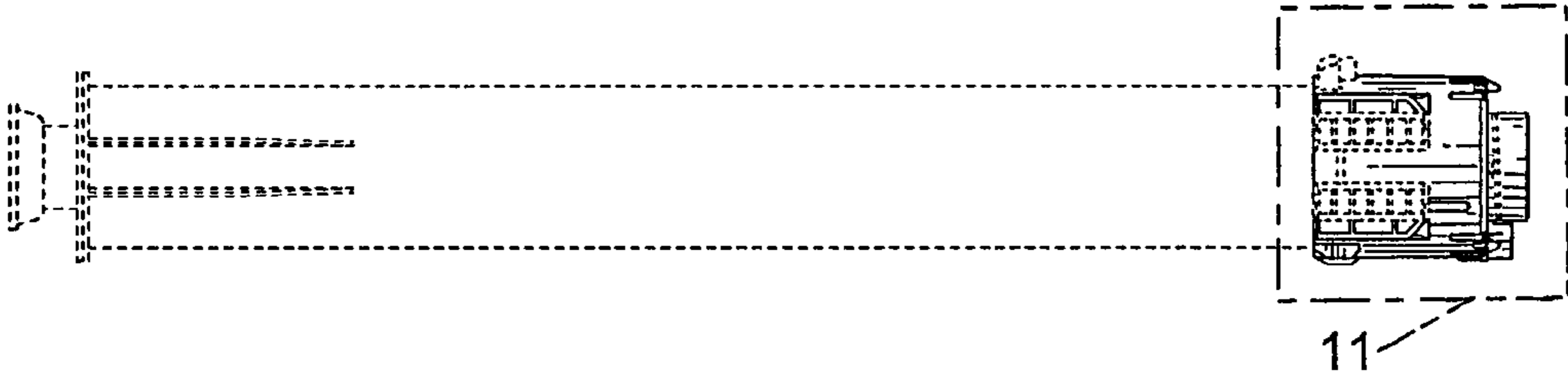


FIG. 7

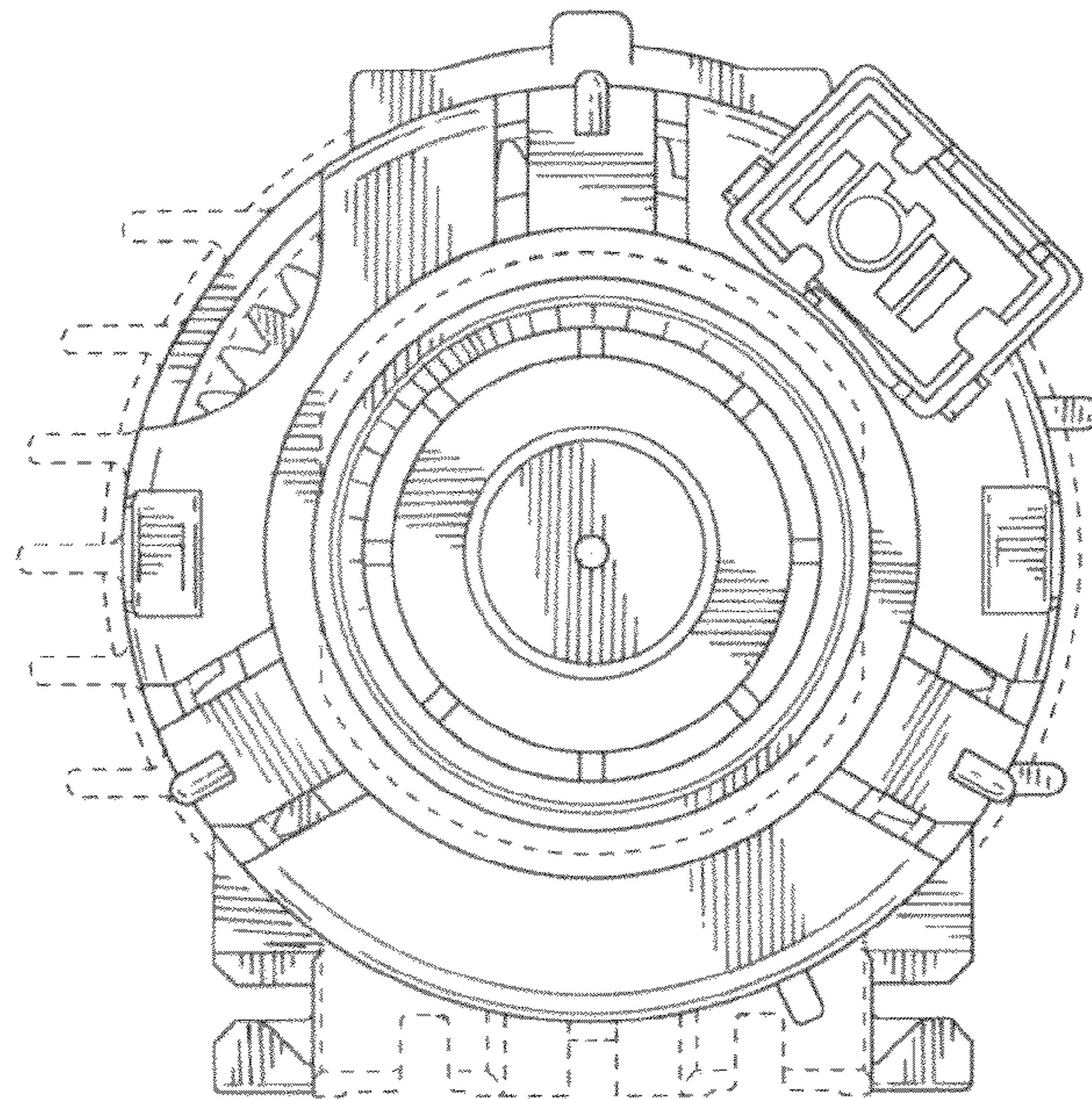


FIG.8

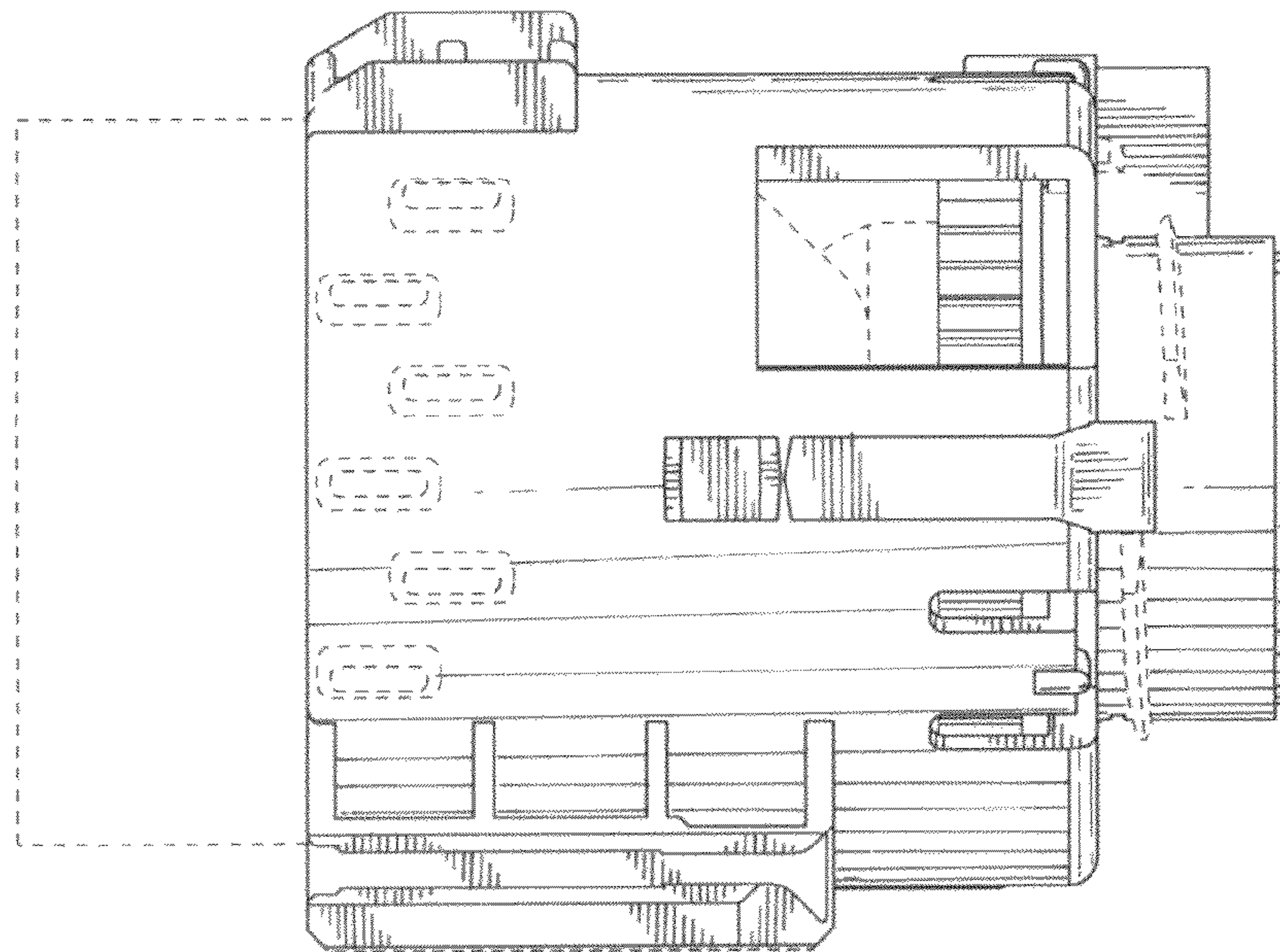


FIG.9

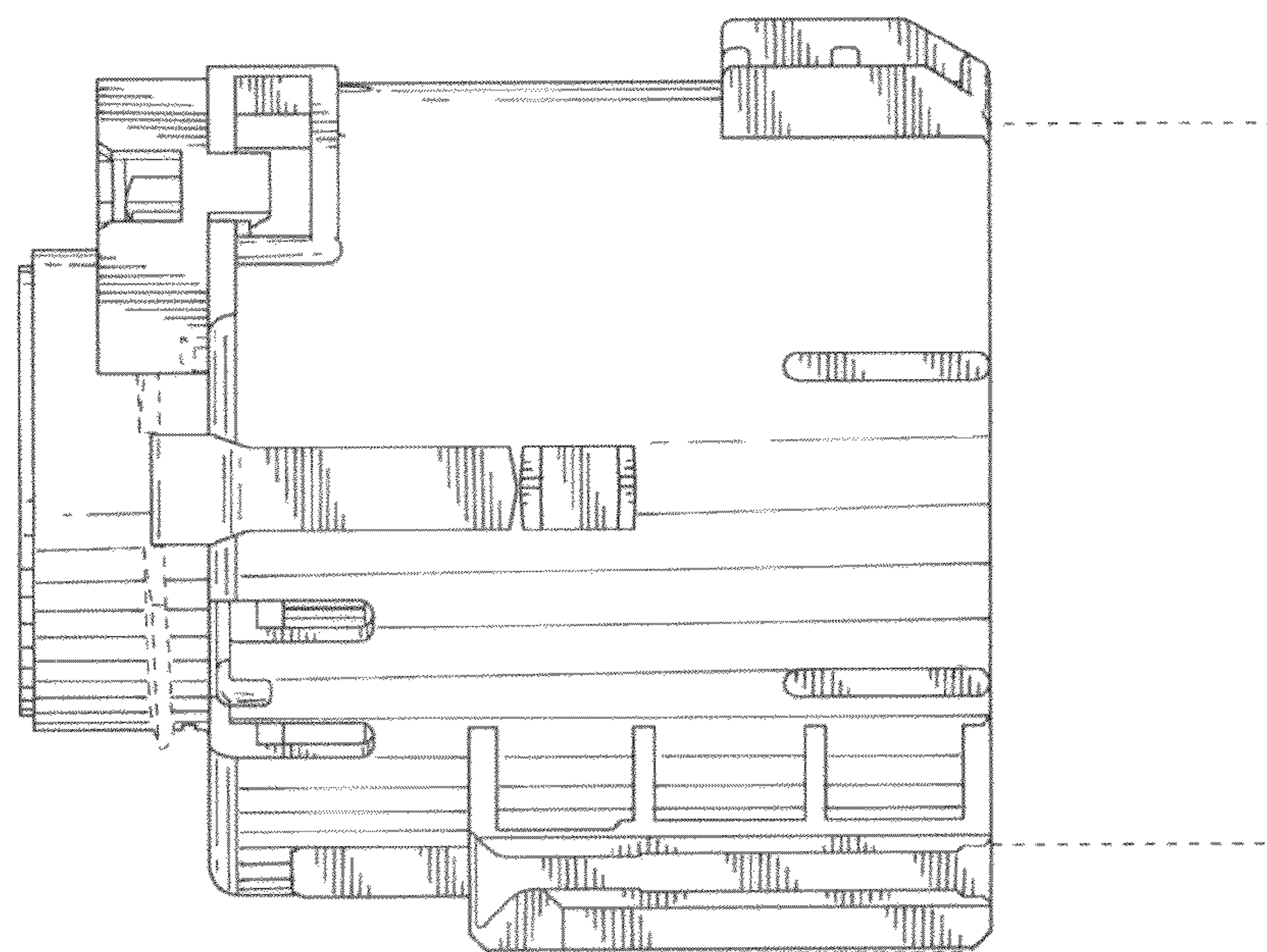


FIG.10

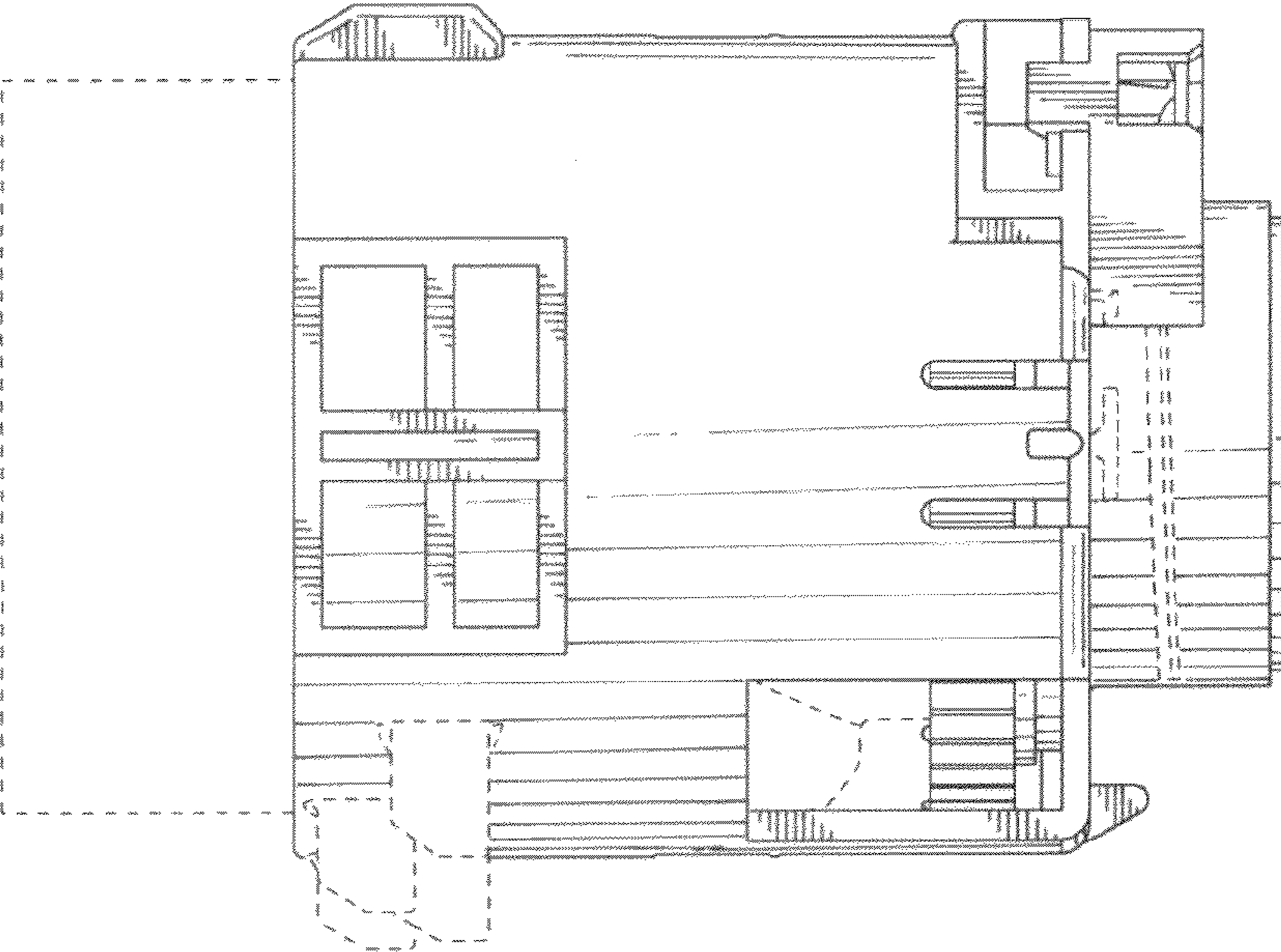


FIG.11

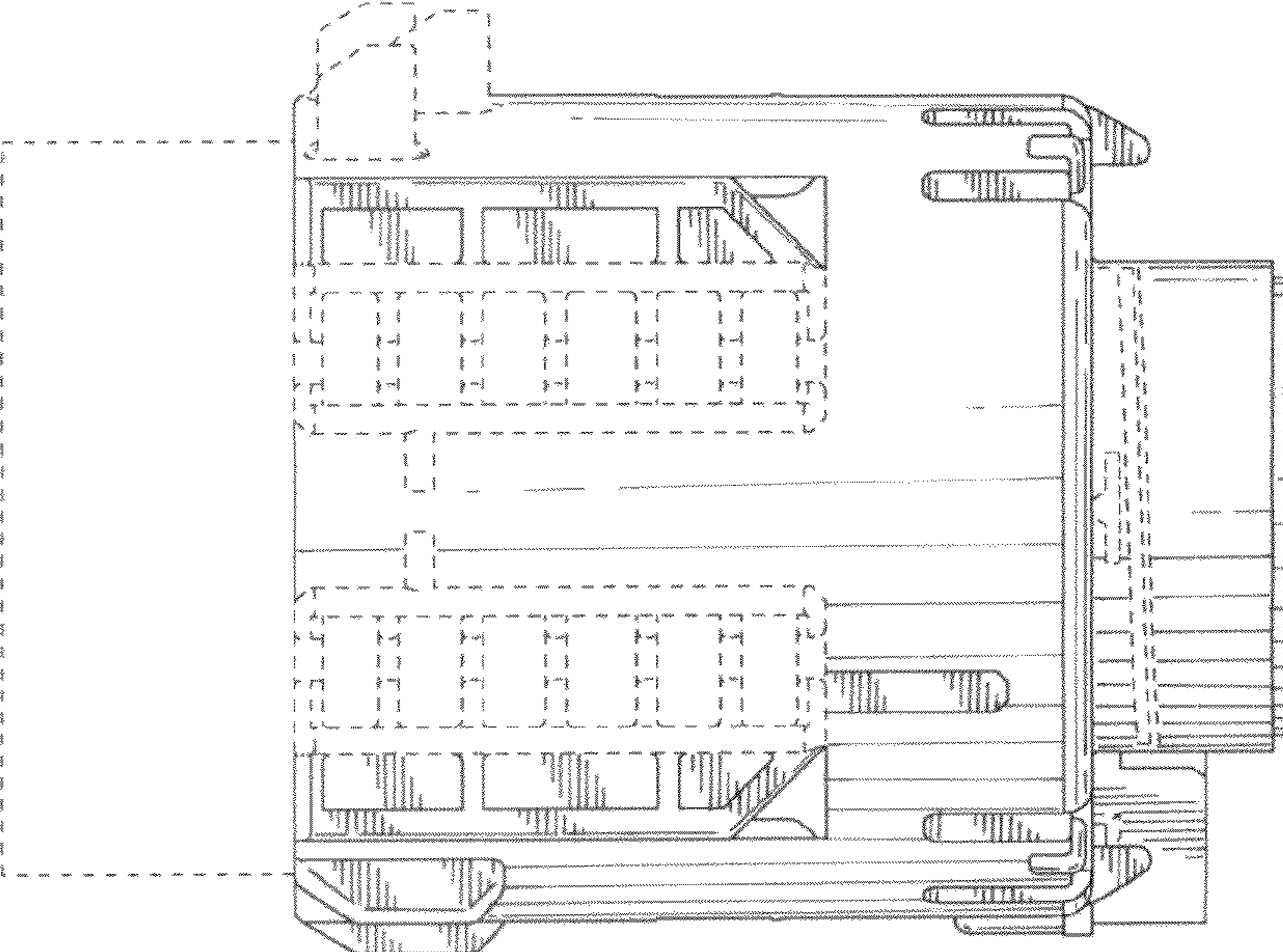




FIG.12

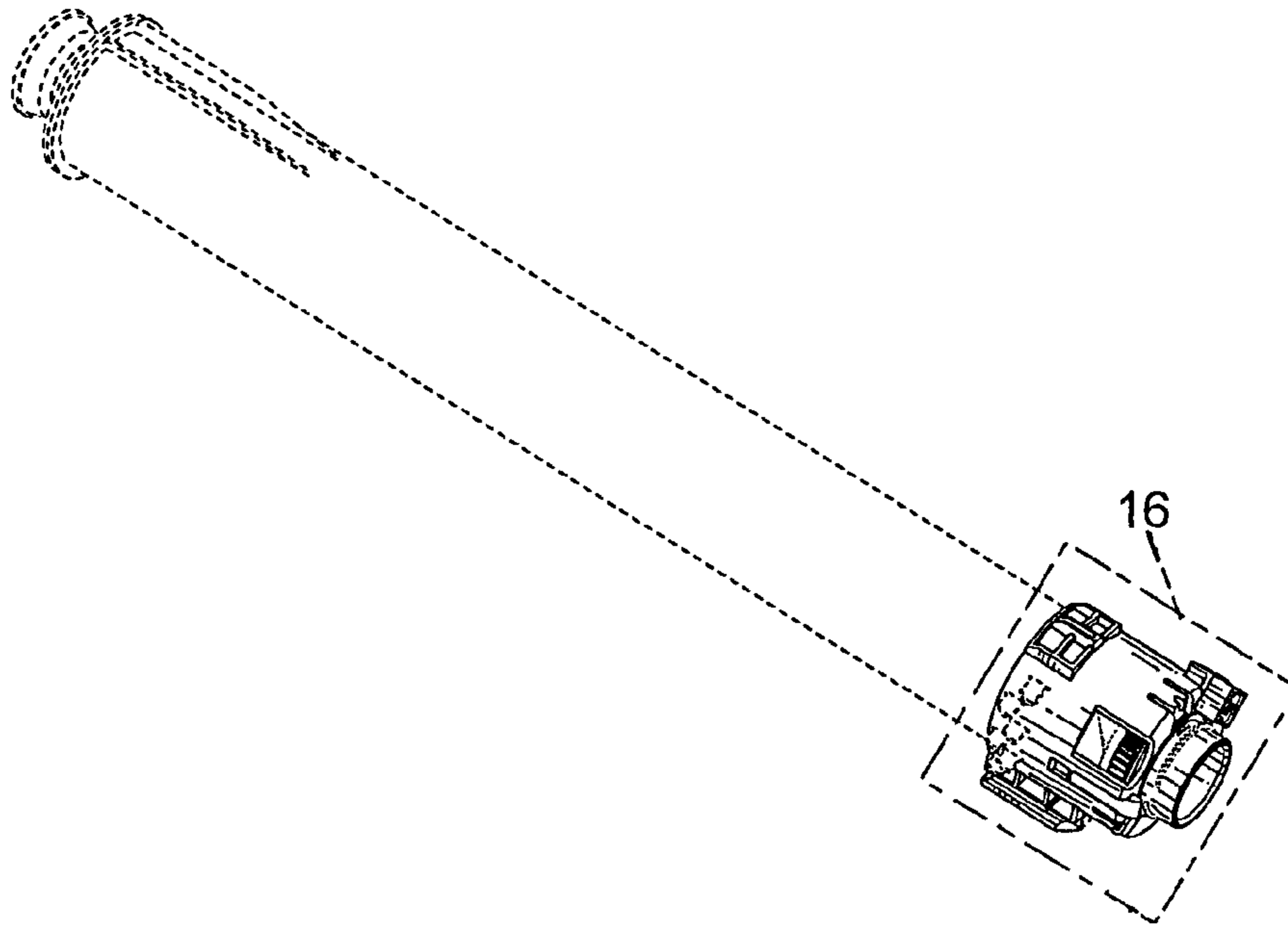
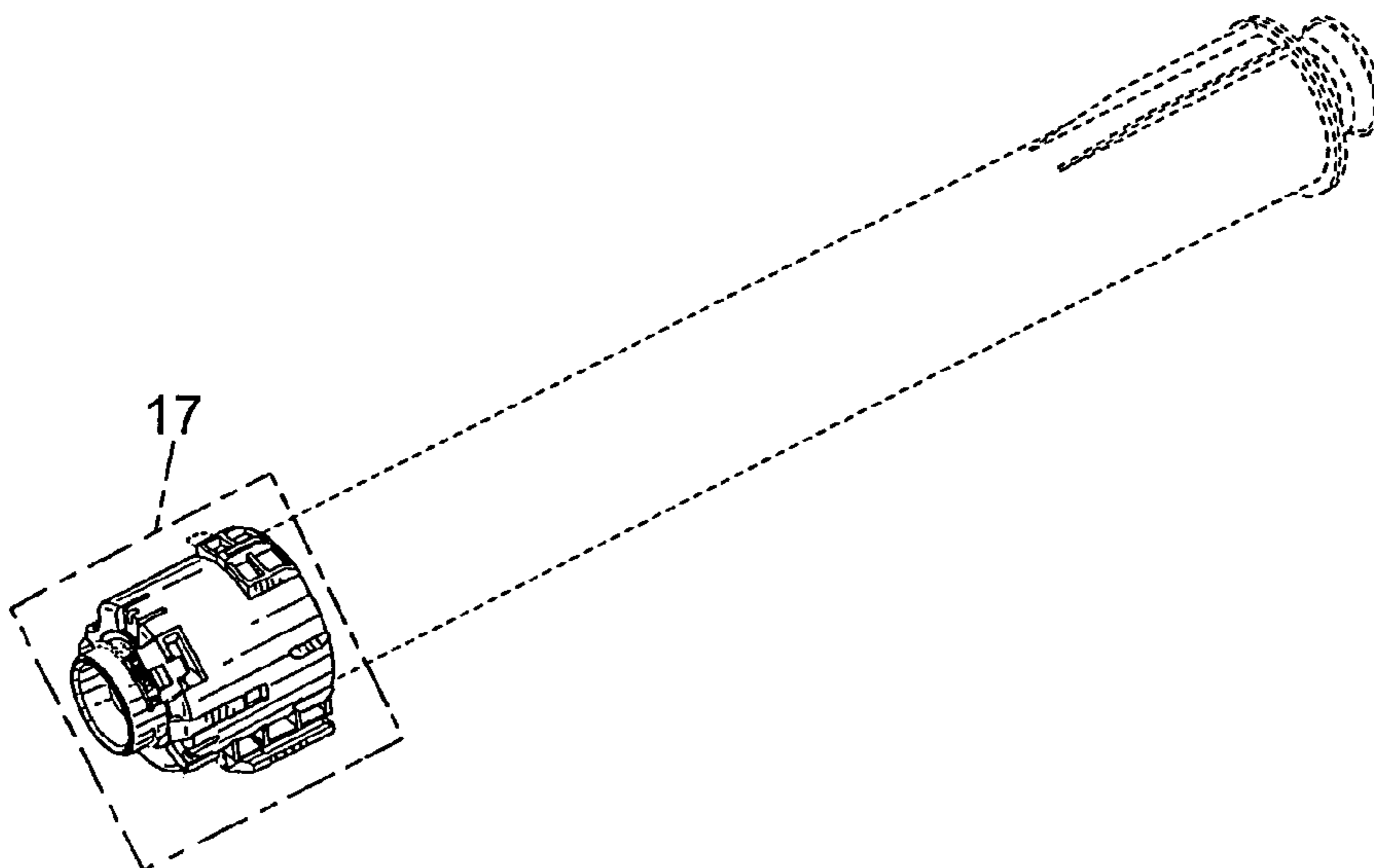


FIG.13



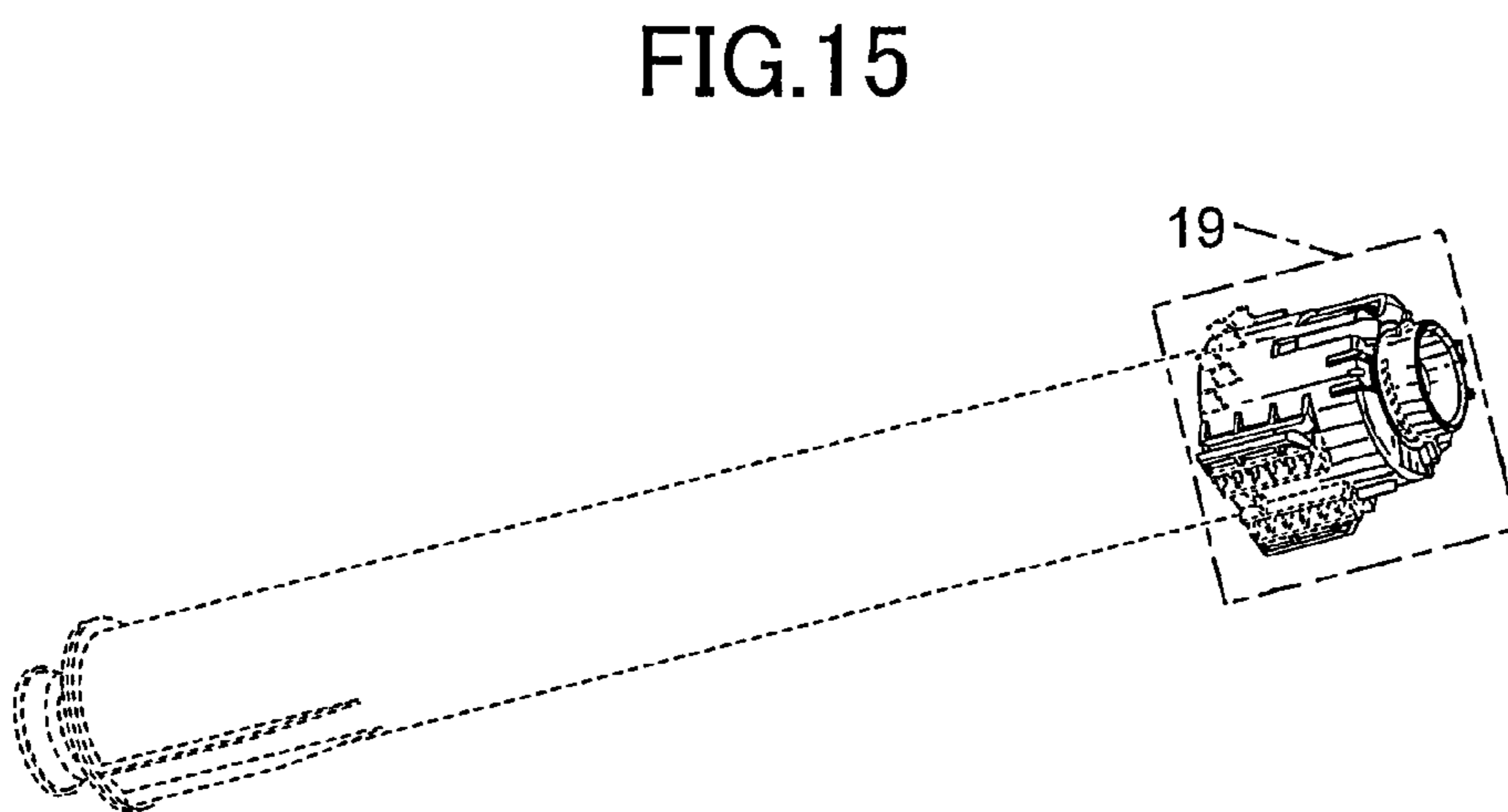
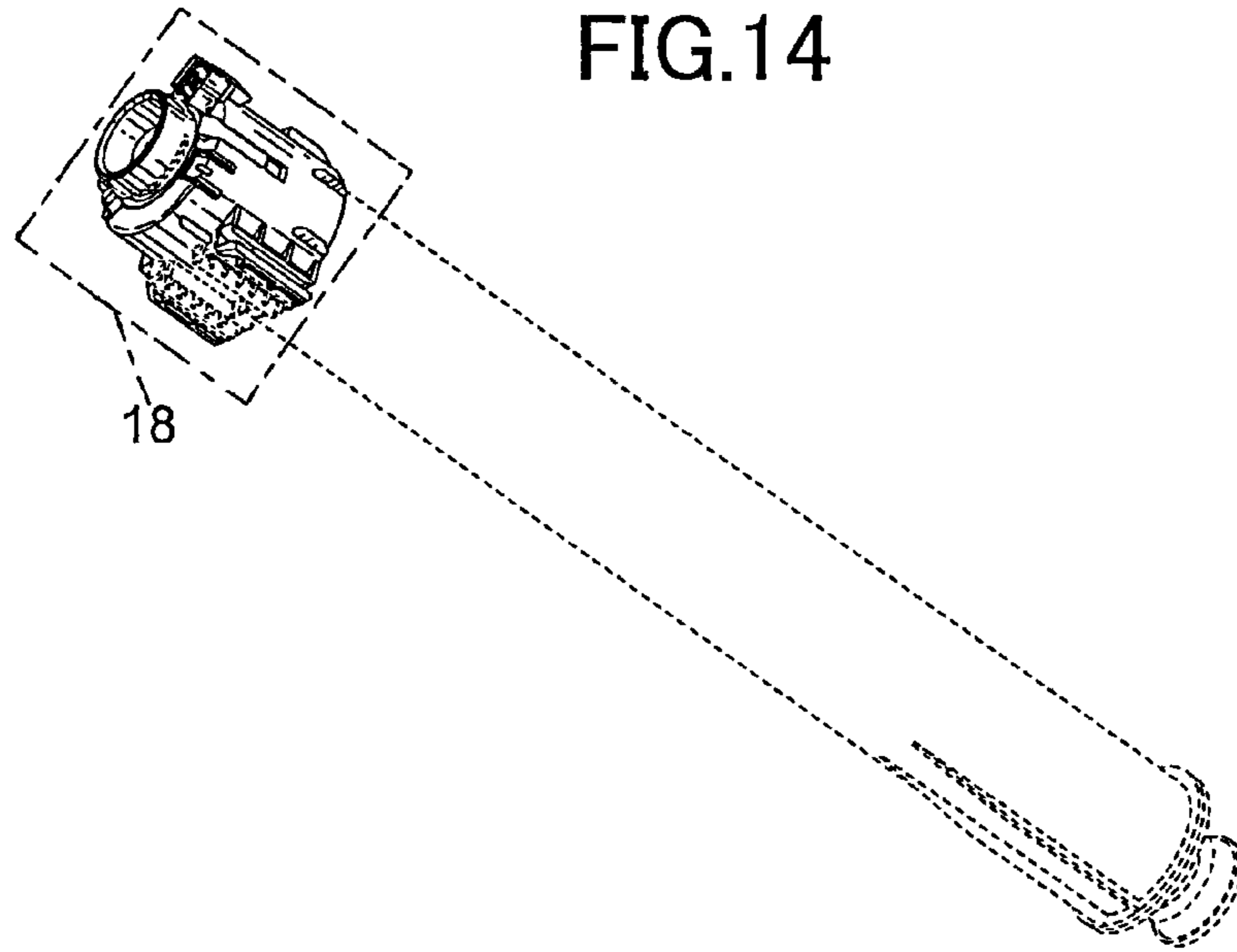


FIG.16

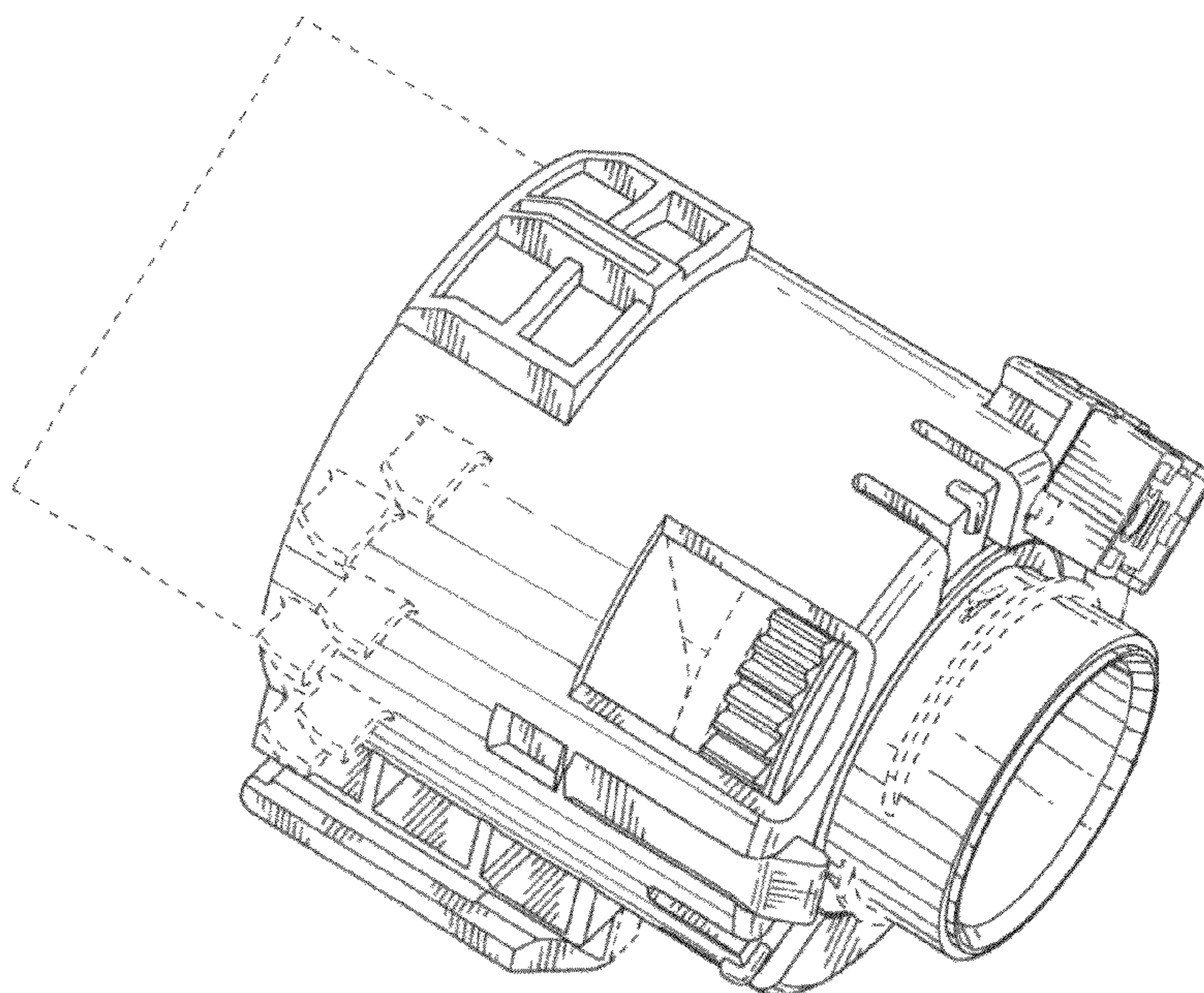


FIG.17

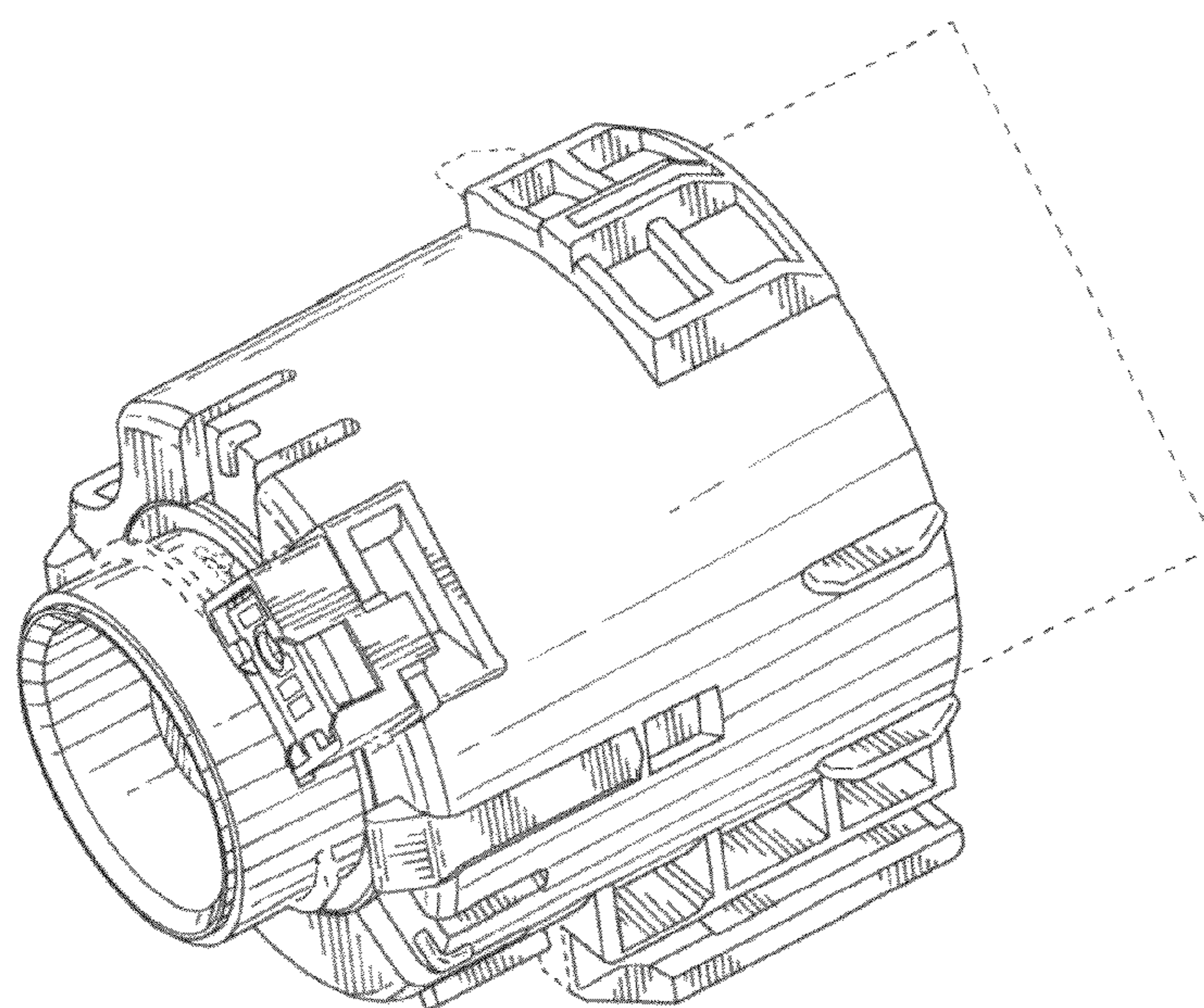


FIG.18

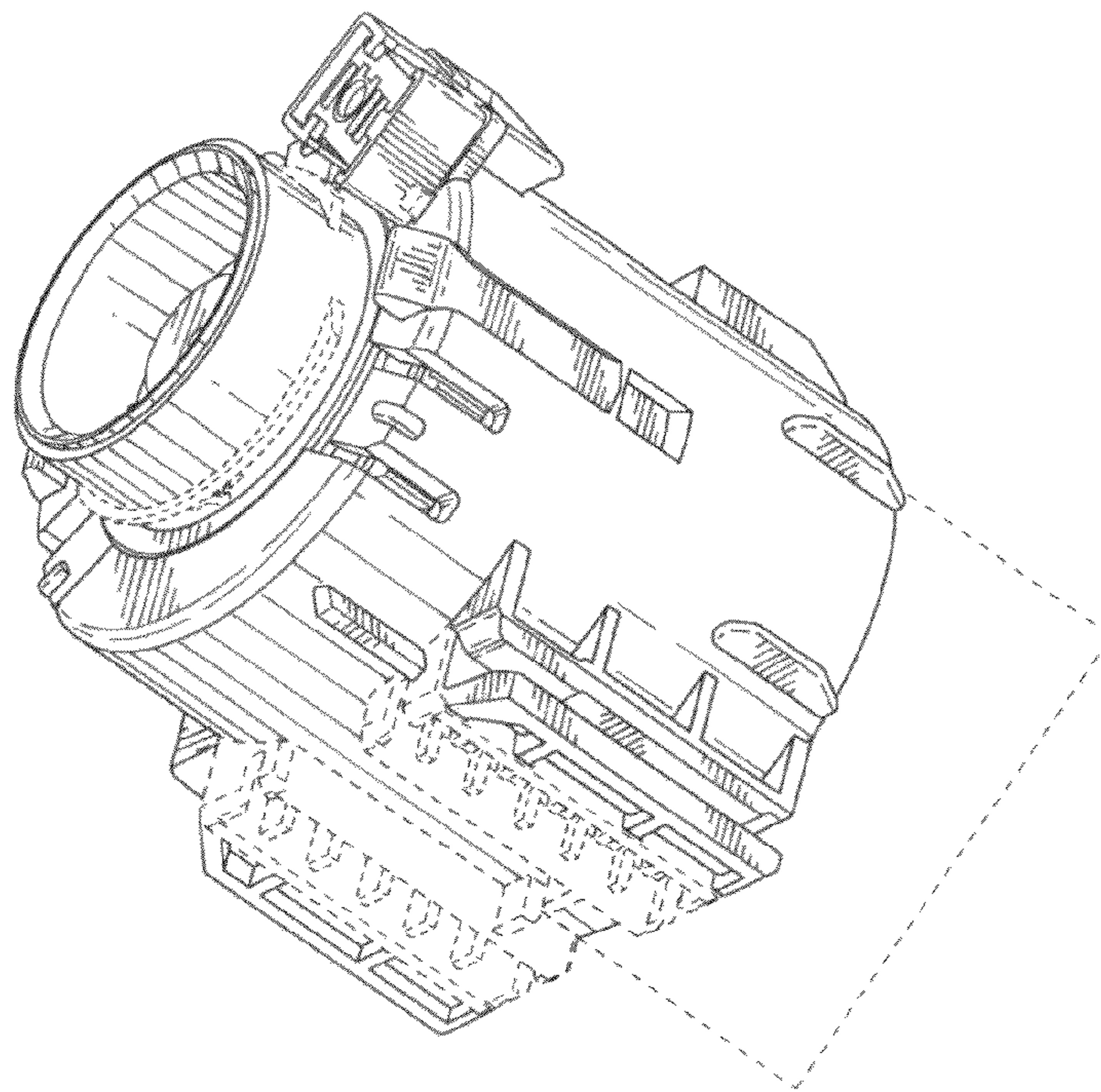


FIG.19

