



US00D718381S

(12) **United States Design Patent**
Itabashi et al.

(10) **Patent No.:** **US D718,381 S**
(45) **Date of Patent:** **** Nov. 25, 2014**

- (54) **TONER CARTRIDGE**
- (71) Applicants: **Nao Itabashi**, Nagoya (JP); **Hideshi Nishiyama**, Owariasahi (JP); **Naoya Kamimura**, Ichinomiya (JP); **Ryuya Yamazaki**, Nagoya (JP)
- (72) Inventors: **Nao Itabashi**, Nagoya (JP); **Hideshi Nishiyama**, Owariasahi (JP); **Naoya Kamimura**, Ichinomiya (JP); **Ryuya Yamazaki**, Nagoya (JP)
- (73) Assignee: **Brother Industries, Ltd.**, Nagoya (JP)

D511,542 S	11/2005	Ishii et al.	
D512,454 S	12/2005	Ishii et al.	
D522,564 S	6/2006	Ishii et al.	
D531,661 S *	11/2006	Ishii et al.	D18/43
D533,215 S *	12/2006	Ishii et al.	D18/43
D547,368 S *	7/2007	Han	D18/43
D550,764 S	9/2007	Ishikawa et al.	
D550,765 S	9/2007	Ishikawa et al.	
D550,766 S	9/2007	Takagi	
D550,767 S	9/2007	Kishi	
D566,169 S	4/2008	Ishikawa et al.	
D596,663 S *	7/2009	Kamimura et al.	D18/43
D601,183 S	9/2009	Ishikawa et al.	
D622,309 S *	8/2010	Kubota et al.	D18/43
D631,091 S *	1/2011	Chadani et al.	D18/43
D631,094 S	1/2011	Sato et al.	
D637,225 S	5/2011	Kishi et al.	
D638,051 S	5/2011	Sato et al.	
D638,052 S	5/2011	Sato et al.	

(**) Term: **14 Years**

(21) Appl. No.: **29/451,173**

(22) Filed: **Mar. 28, 2013**

(30) **Foreign Application Priority Data**

Oct. 16, 2012 (JP) 2012-25028

(51) **LOC (10) Cl.** **16-03**

(52) **U.S. Cl.**
USPC **D18/43**

(58) **Field of Classification Search**
CPC G03G 15/0832; G03G 15/5016; G03G 15/50; G03G 15/0837; G03G 2215/0668; B41J 29/393
USPC D18/12, 36, 40, 43, 44, 56; D14/471; 347/49, 50, 197, 222; 399/11, 106, 399/119, 120, 230, 258, 262; 222/DIG. 1
See application file for complete search history.

(56) **References Cited**

U.S. PATENT DOCUMENTS

6,567,636 B1 *	5/2003	Lui et al.	399/254
D500,075 S *	12/2004	Okamoto et al.	D18/43
D508,945 S	8/2005	Ishii et al.	
D510,947 S	10/2005	Ishii et al.	

(Continued)

Primary Examiner — Thomas Johannes

Assistant Examiner — Chelsea Sealey

(74) *Attorney, Agent, or Firm* — Oliff PLC

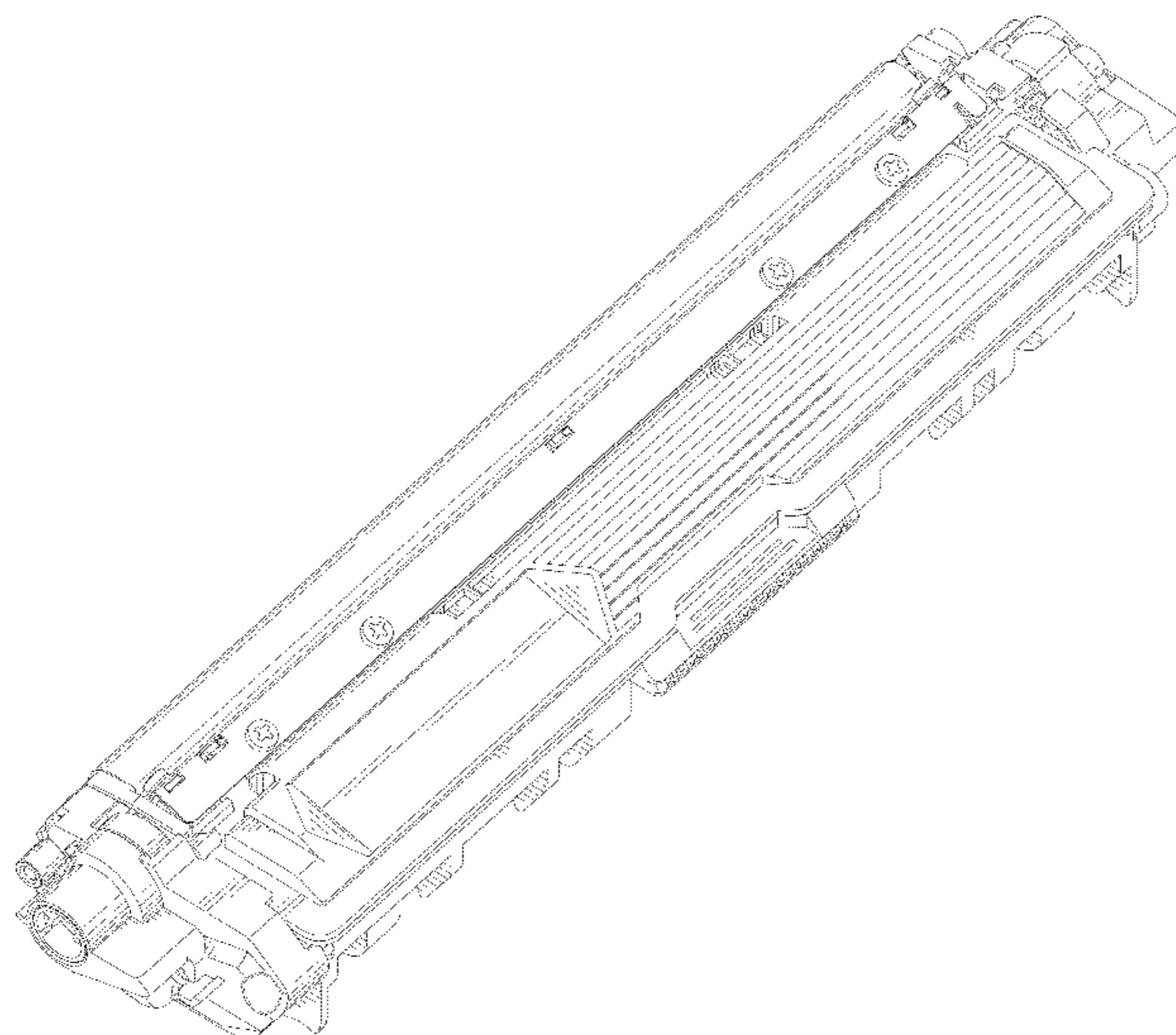
(57) **CLAIM**

The ornamental design for a toner cartridge, as shown and described.

DESCRIPTION

FIG. 1 is a top, front, left-side perspective view of a toner cartridge showing our new design;
FIG. 2 is a front view thereof;
FIG. 3 is a top view thereof;
FIG. 4 is a right-side view thereof;
FIG. 5 is a left-side view thereof;
FIG. 6 is a rear view thereof;
FIG. 7 is a bottom view thereof;
FIG. 8 is a top, rear, right-side perspective view thereof; and,
FIG. 9 is a bottom, rear, left-side perspective view thereof.
The broken lines depict unclaimed portions only and form no part of the claimed design.

1 Claim, 7 Drawing Sheets



(56)

References Cited

U.S. PATENT DOCUMENTS

D638,054 S 5/2011 Sato et al.
D638,055 S * 5/2011 Sato et al. D18/43
D652,862 S 1/2012 Mori et al.

D666,665 S * 9/2012 Kweon et al. D18/43
D694,815 S * 12/2013 Fukamachi et al. D18/43
D694,816 S * 12/2013 Fukamachi et al. D18/43

* cited by examiner

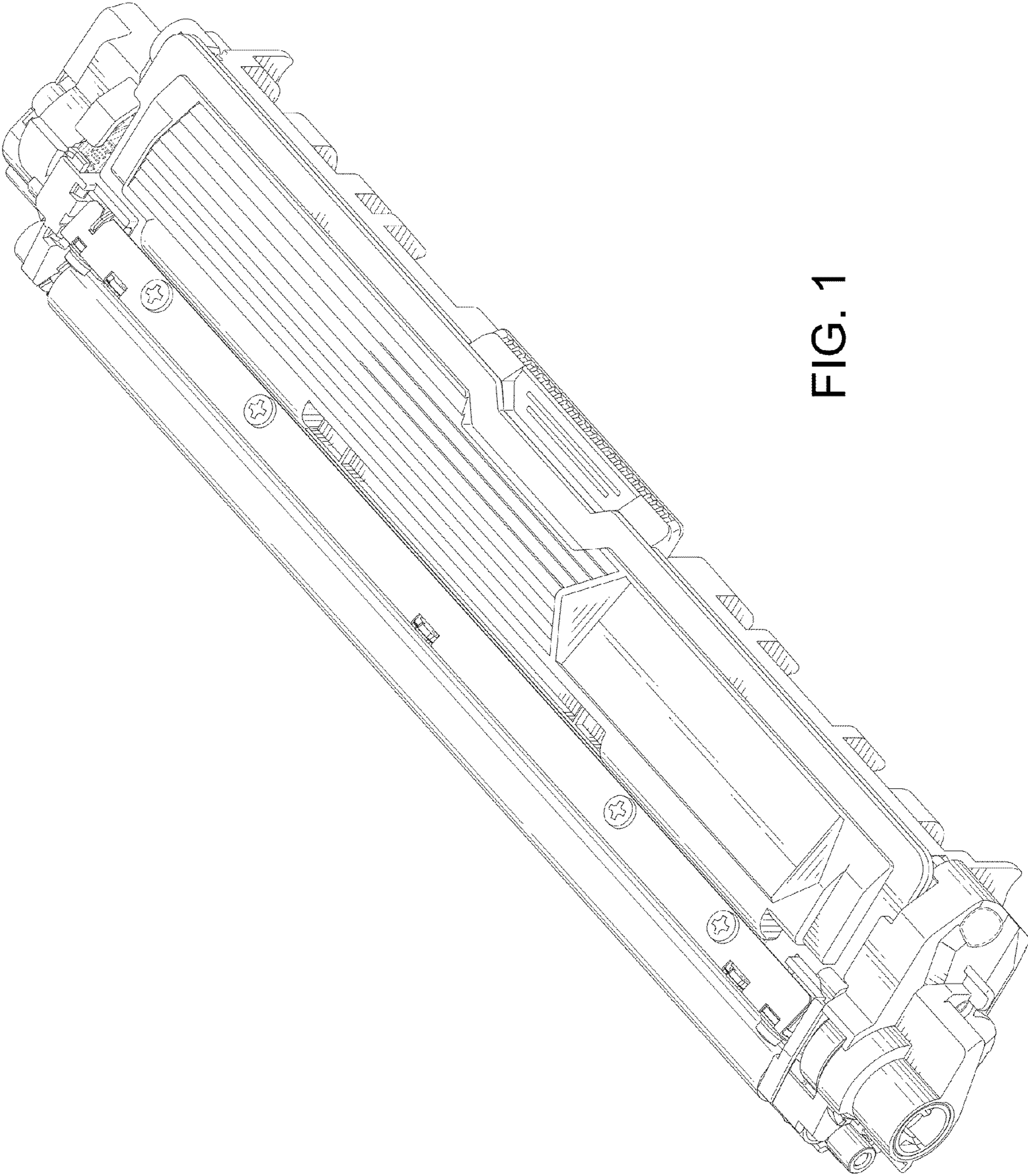


FIG. 1

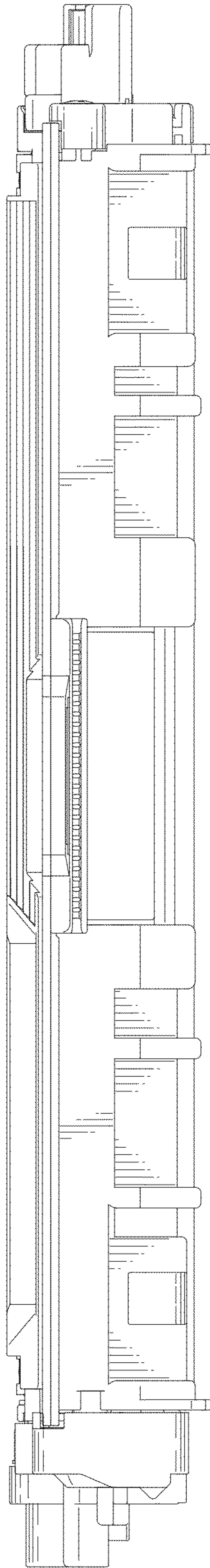


FIG. 2

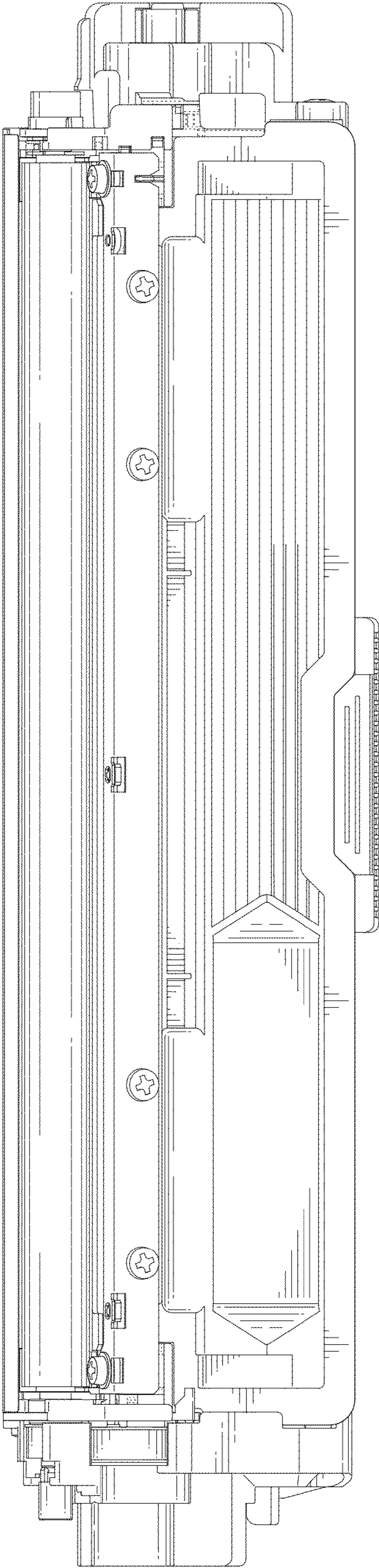


FIG. 3

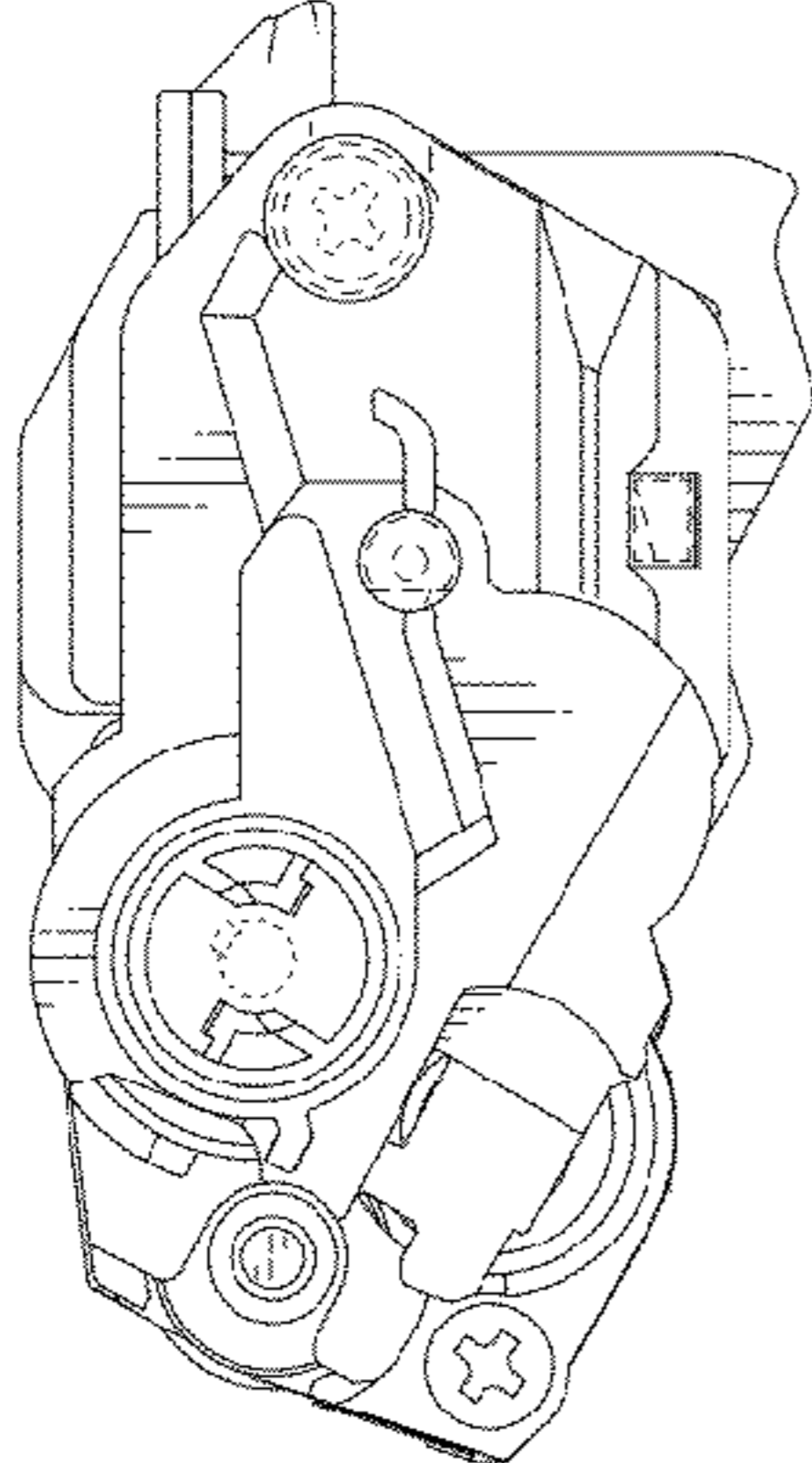


FIG. 4

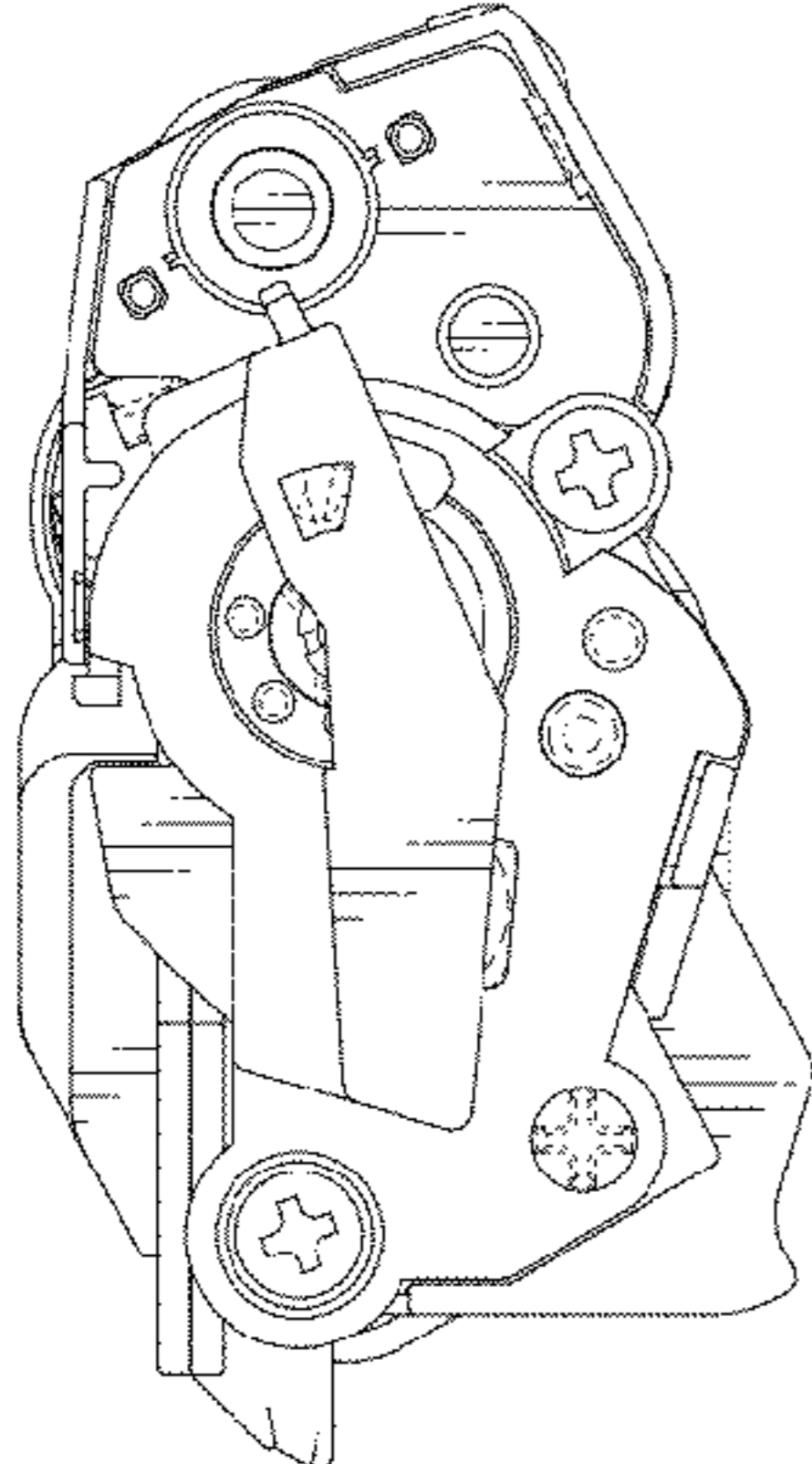


FIG. 5

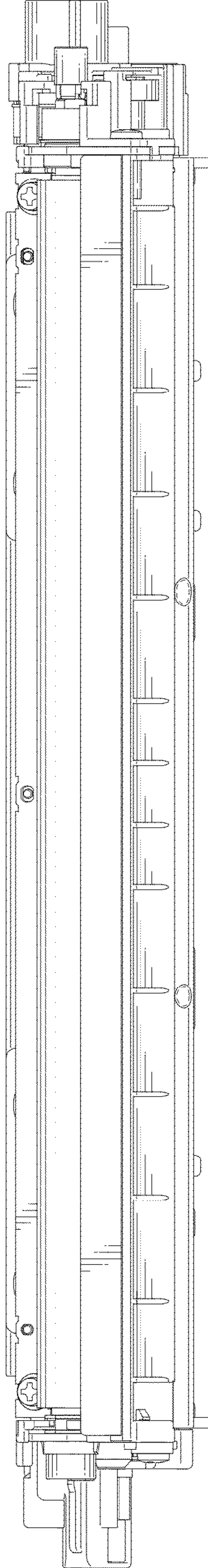


FIG. 6

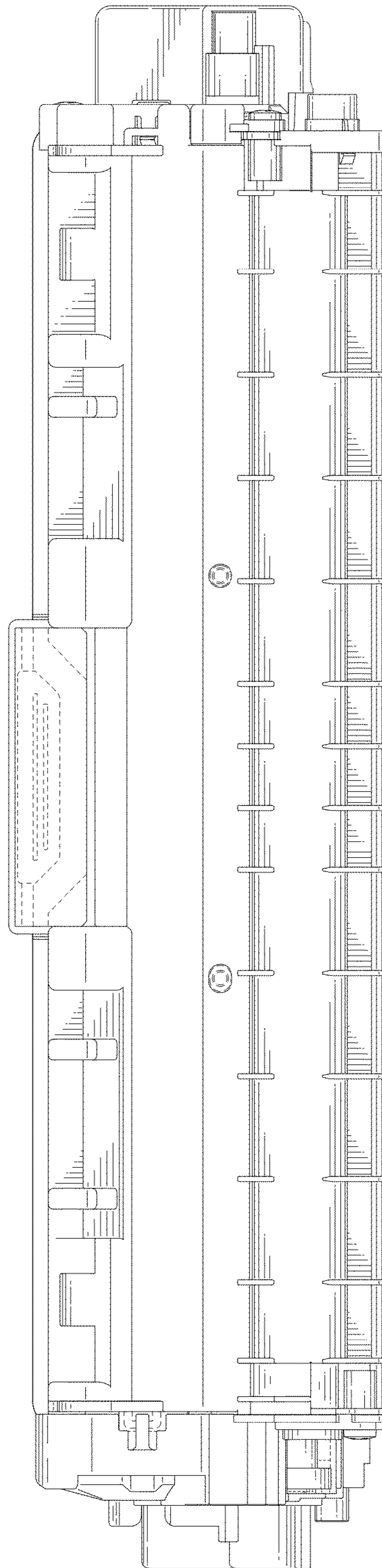


FIG. 7

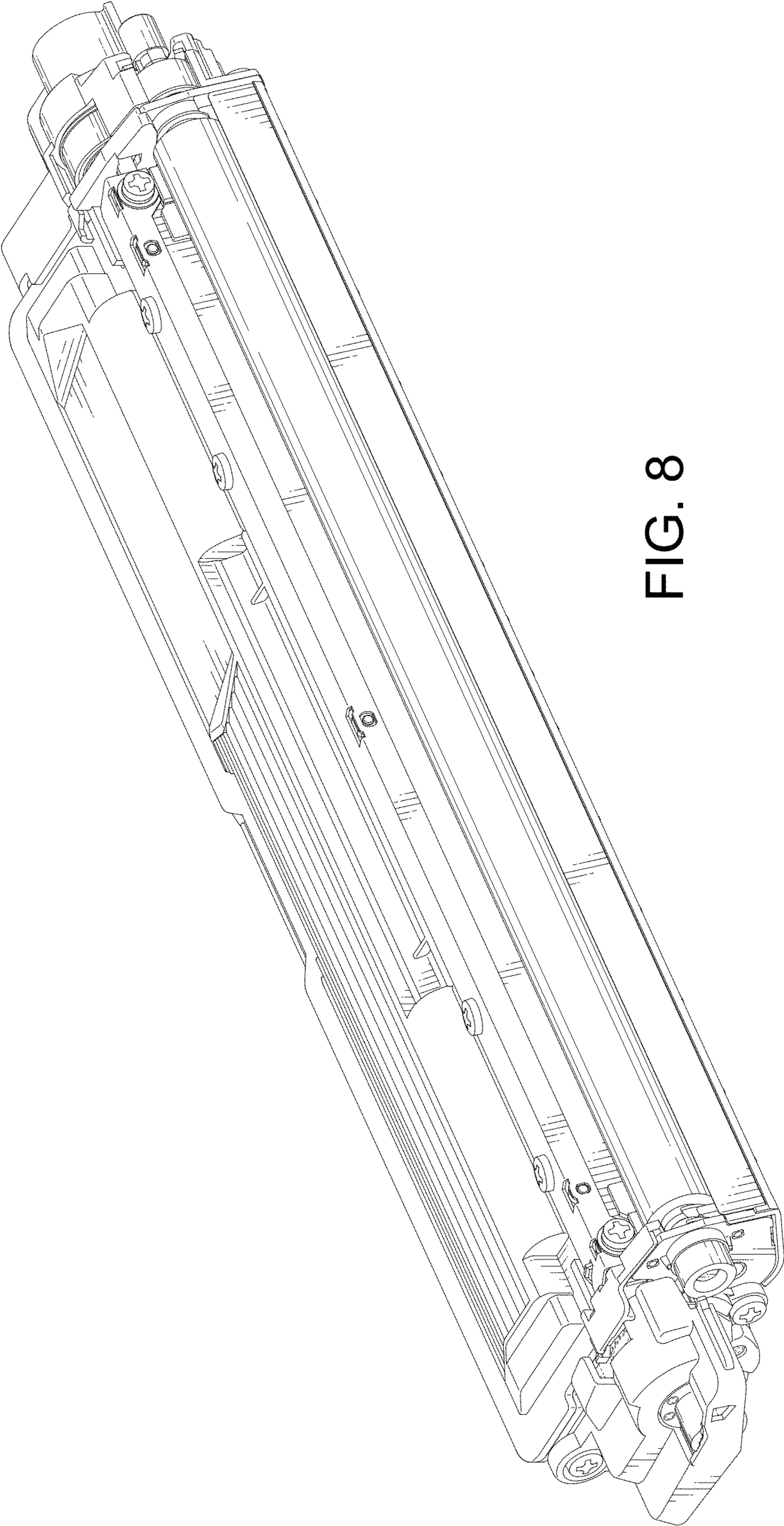


FIG. 8

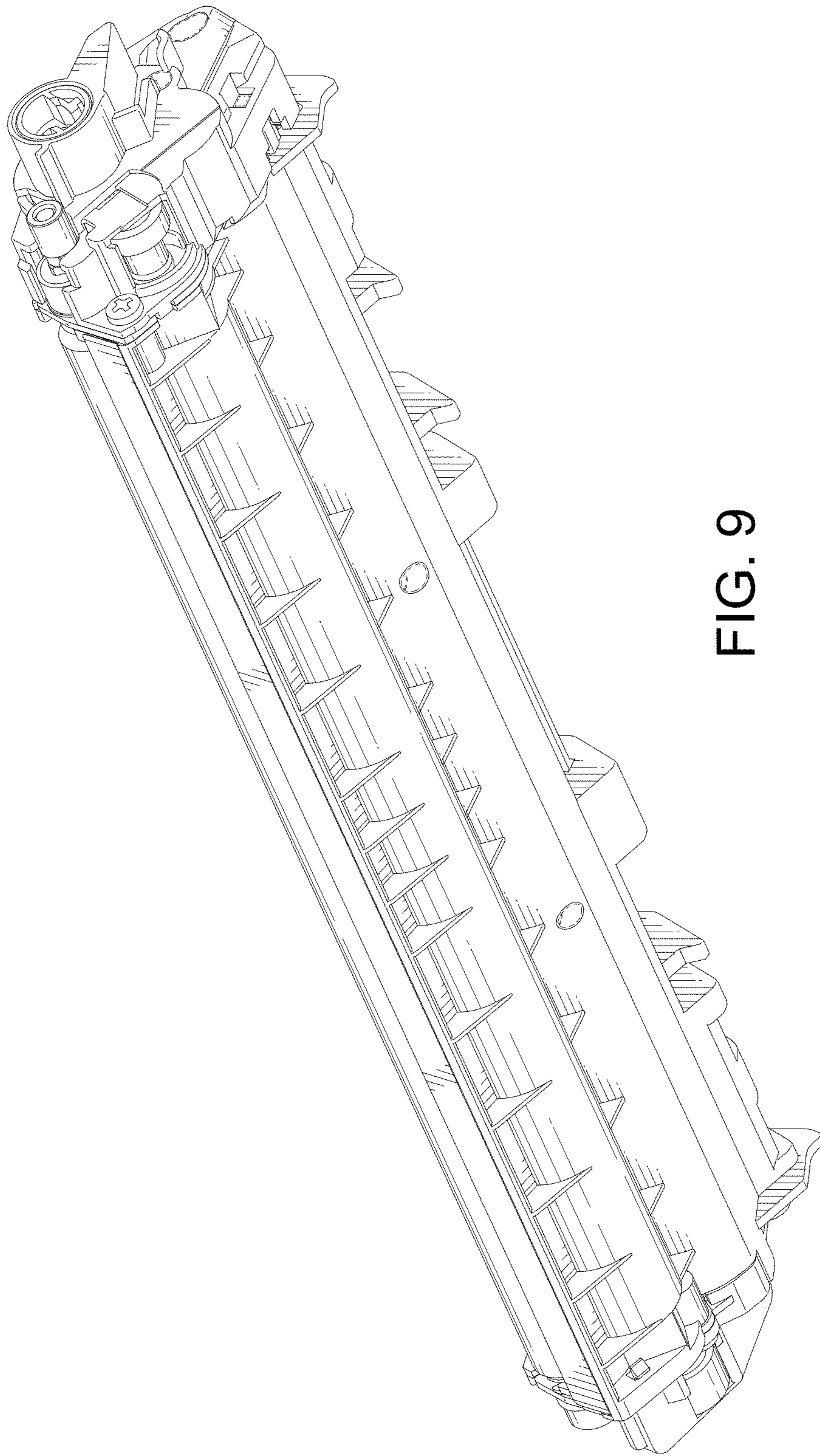


FIG. 9