



US00D718380S

(12) **United States Design Patent**  
**Mori et al.**

(10) **Patent No.:** **US D718,380 S**

(45) **Date of Patent:** **\*\* Nov. 25, 2014**

- (54) **TONER CARTRIDGE**
- (71) Applicants: **Hiroki Mori**, Nagoya (JP); **Yasumasa Fujii**, Anjo (JP); **Tatsuo Ogasawara**, Kasugai (JP)
- (72) Inventors: **Hiroki Mori**, Nagoya (JP); **Yasumasa Fujii**, Anjo (JP); **Tatsuo Ogasawara**, Kasugai (JP)
- (73) Assignee: **Brother Industries, Ltd.**, Nagoya (JP)
- (\*\*) Term: **14 Years**
- (21) Appl. No.: **29/451,169**
- (22) Filed: **Mar. 28, 2013**

(30) **Foreign Application Priority Data**

Nov. 20, 2012 (JP) ..... 2012-28326

(51) **LOC (10) Cl.** ..... **16-03**

(52) **U.S. Cl.**  
USPC ..... **D18/43**

(58) **Field of Classification Search**  
USPC ..... D18/12, 36, 40, 43, 44, 56; D14/471;  
347/49, 50, 197, 222; 399/11, 106,  
399/119, 120, 230, 258, 262; 222/DIG. 1  
See application file for complete search history.

(56) **References Cited**

**U.S. PATENT DOCUMENTS**

- D471,228 S \* 3/2003 Okabe et al. .... D18/43
- 6,567,636 B1 \* 5/2003 Lui et al. .... 399/254
- D479,263 S \* 9/2003 Batori et al. .... D18/40
- D508,945 S 8/2005 Ishii et al.
- D510,947 S 10/2005 Ishii et al.
- D511,542 S 11/2005 Ishii et al.
- D512,454 S 12/2005 Ishii et al.
- D522,564 S 6/2006 Ishii et al.
- D533,215 S \* 12/2006 Ishii et al. .... D18/43
- D546,382 S \* 7/2007 Noh et al. .... D18/43

- D550,764 S 9/2007 Ishikawa et al.
- D550,765 S 9/2007 Ishikawa et al.
- D550,766 S 9/2007 Takagi
- D550,767 S 9/2007 Kishi
- D555,193 S \* 11/2007 Choi ..... D18/43
- D566,169 S 4/2008 Ishikawa et al.
- D596,663 S \* 7/2009 Kamimura et al. .... D18/43
- D601,183 S 9/2009 Ishikawa et al.
- D631,094 S 1/2011 Sato et al.
- D637,225 S 5/2011 Kishi et al.
- D638,051 S 5/2011 Sato et al.
- D638,052 S 5/2011 Sato et al.
- D638,054 S 5/2011 Sato et al.
- D638,055 S \* 5/2011 Sato et al. .... D18/43
- D638,057 S \* 5/2011 Kanno et al. .... D18/43
- D652,862 S 1/2012 Mori et al.
- D694,815 S \* 12/2013 Fukamachi et al. .... D18/43
- D694,816 S \* 12/2013 Fukamachi et al. .... D18/43
- 2014/0168297 A1 \* 6/2014 Thacker et al. .... 347/7

\* cited by examiner

*Primary Examiner* — Thomas Johannes

*Assistant Examiner* — Chelsea Sealey

(74) *Attorney, Agent, or Firm* — Oliff PLC

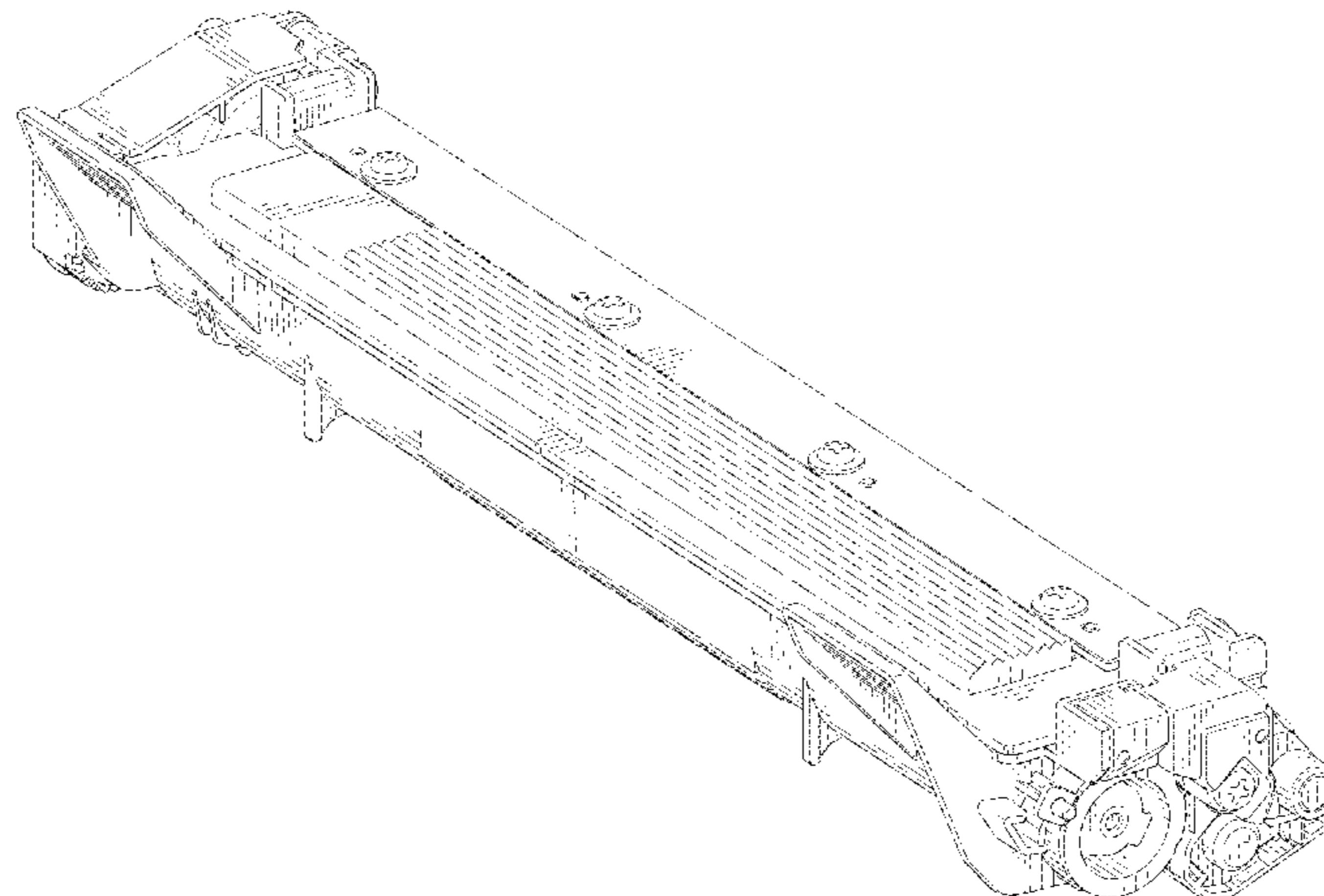
(57) **CLAIM**

The ornamental design for a toner cartridge, as shown and described.

**DESCRIPTION**

FIG. 1 is a top, front, right-side perspective view of a toner cartridge showing our new design;  
 FIG. 2 is a front view thereof;  
 FIG. 3 is a top view thereof;  
 FIG. 4 is a right-side view thereof;  
 FIG. 5 is a left-side view thereof;  
 FIG. 6 is a rear view thereof;  
 FIG. 7 is a bottom view thereof;  
 FIG. 8 is top, rear, left-side perspective view thereof; and,  
 FIG. 9 is a bottom, rear, right-side perspective view thereof.  
 The broken lines depict unclaimed portions only and form no part of the claimed design.

**1 Claim, 6 Drawing Sheets**



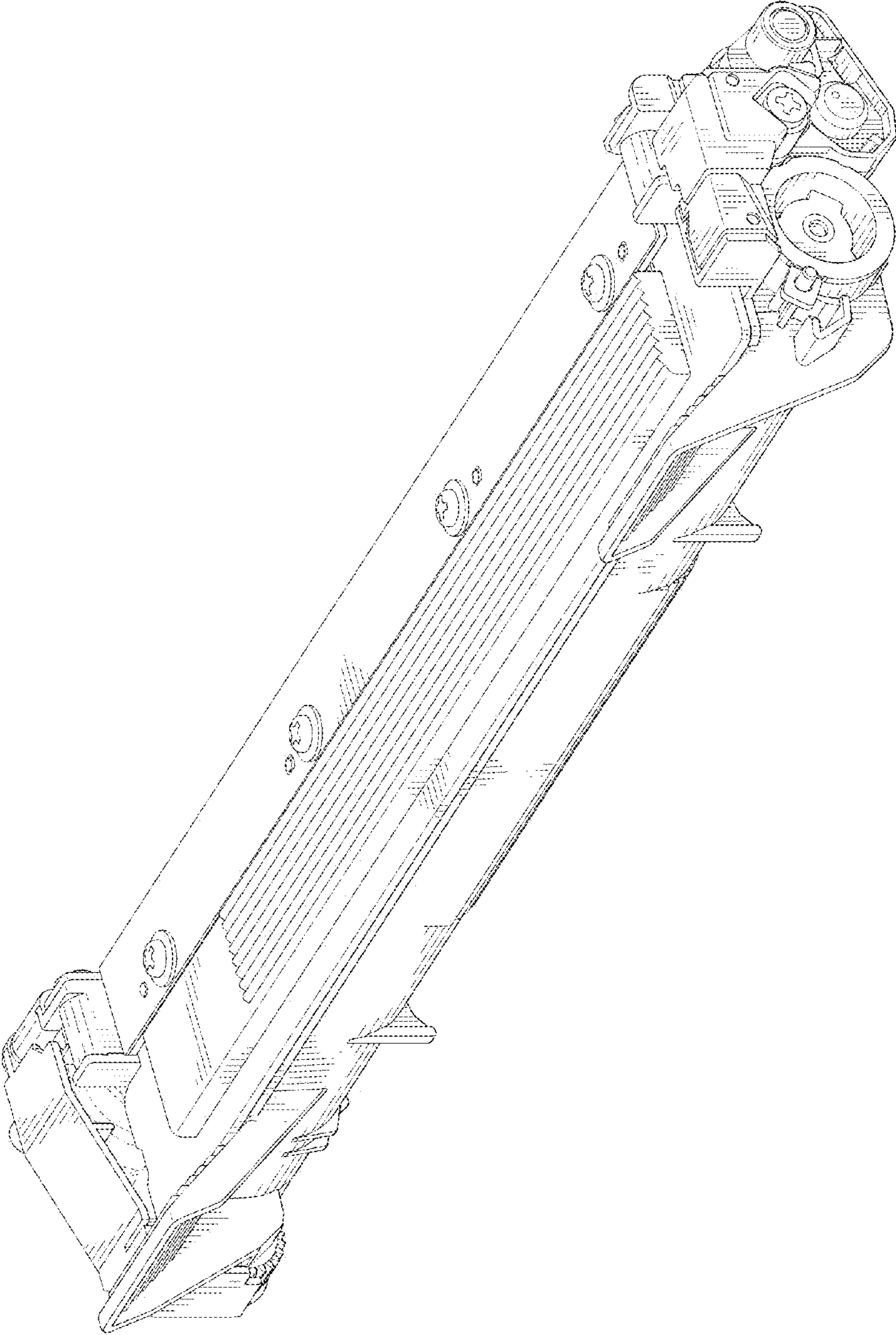


FIG. 1

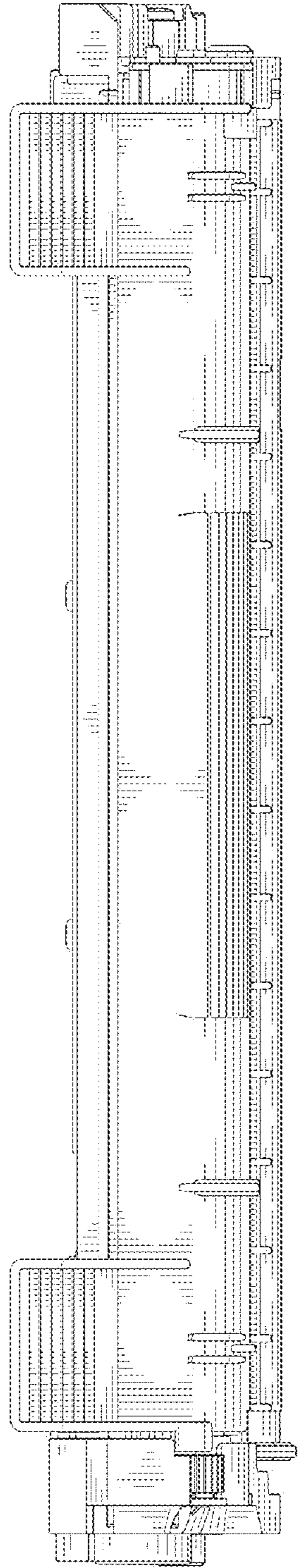


FIG. 2

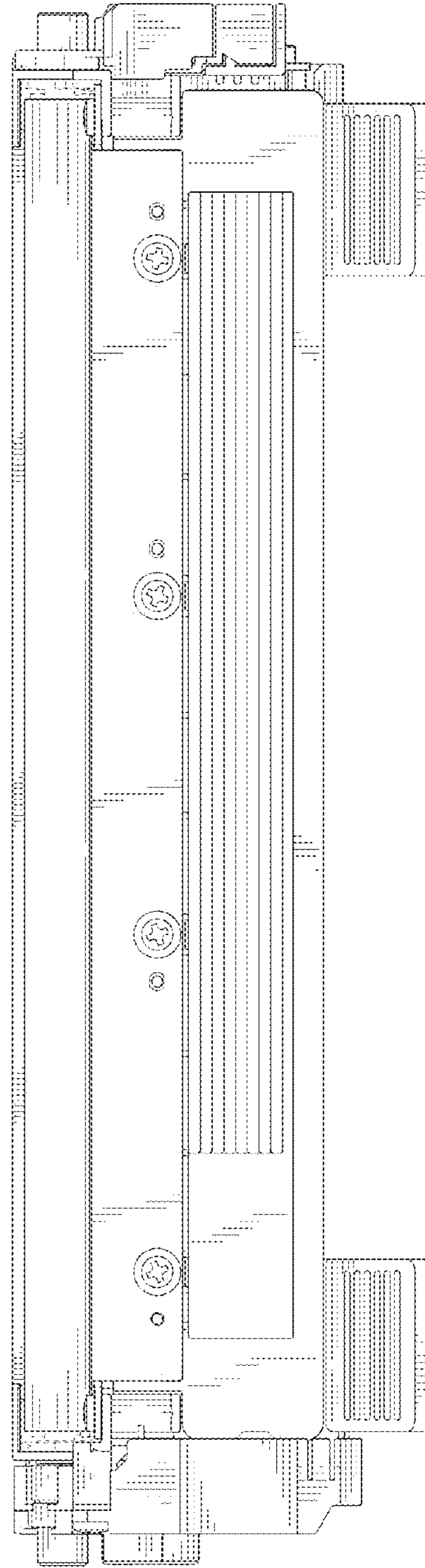


FIG. 3

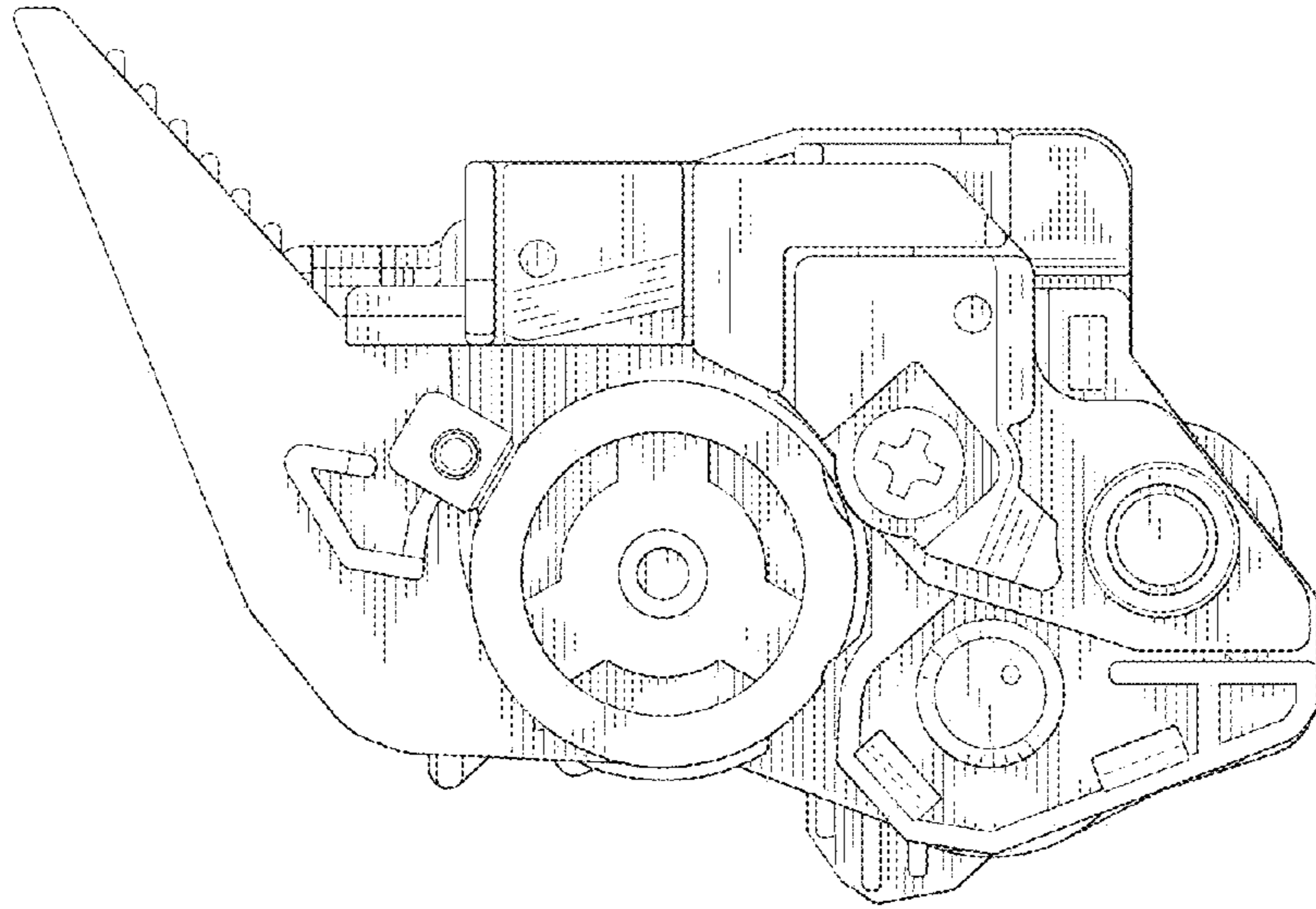


FIG. 4

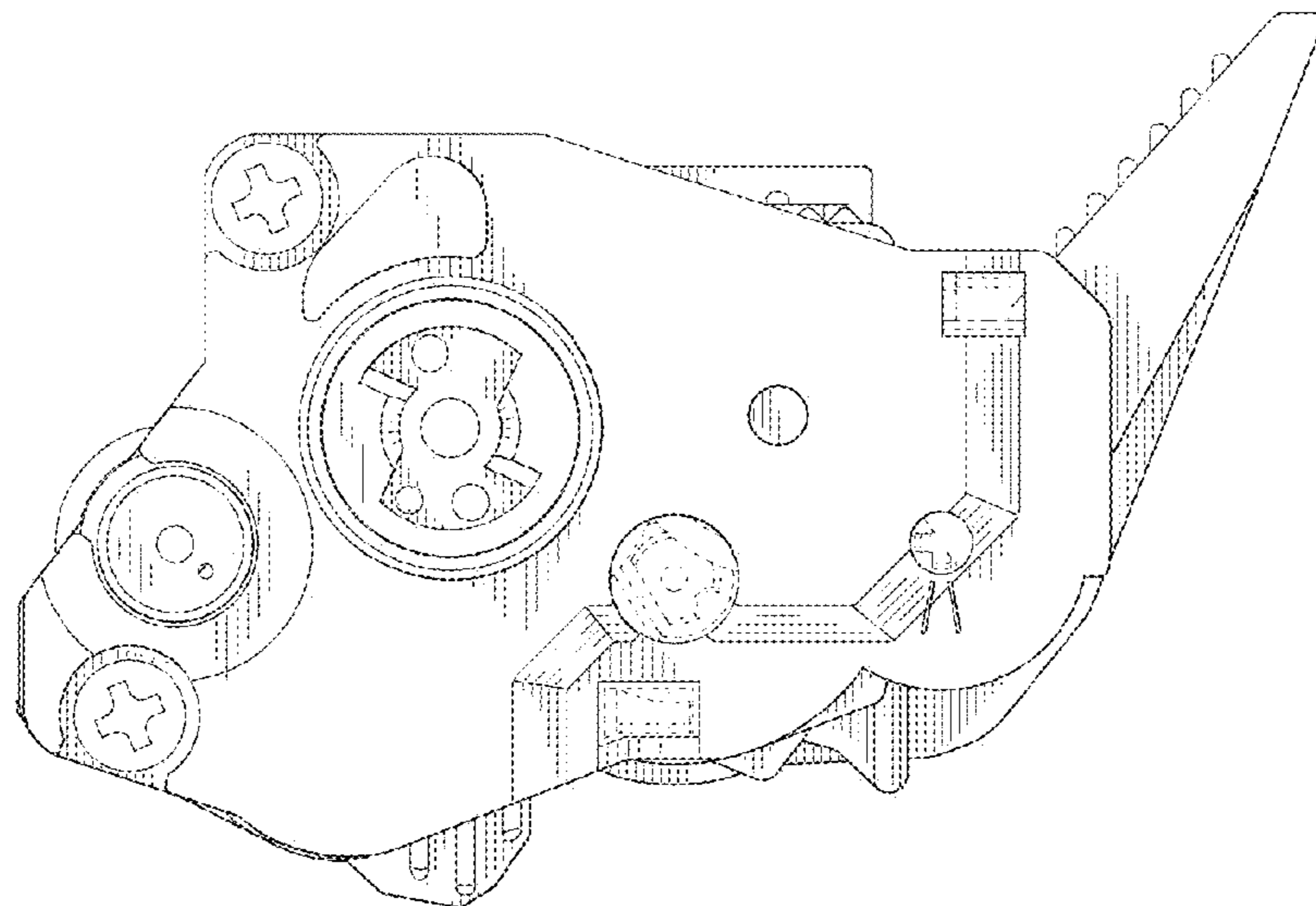


FIG. 5

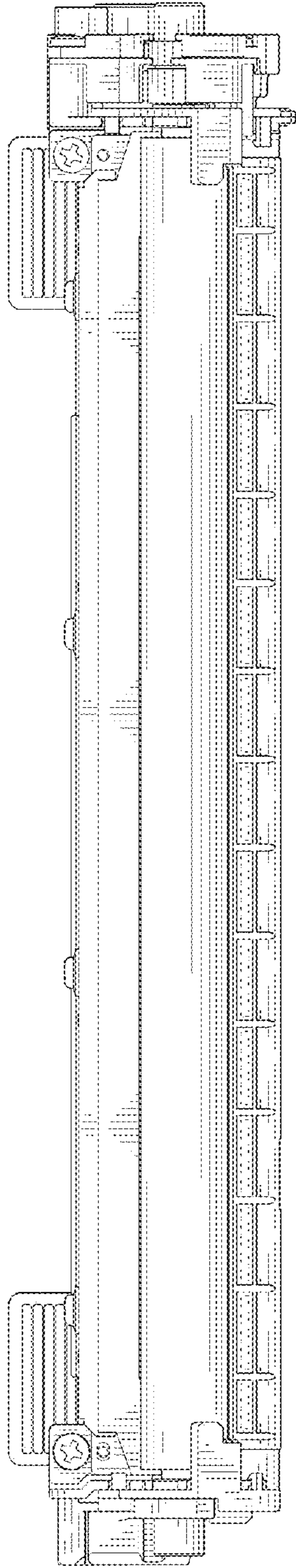


FIG. 6

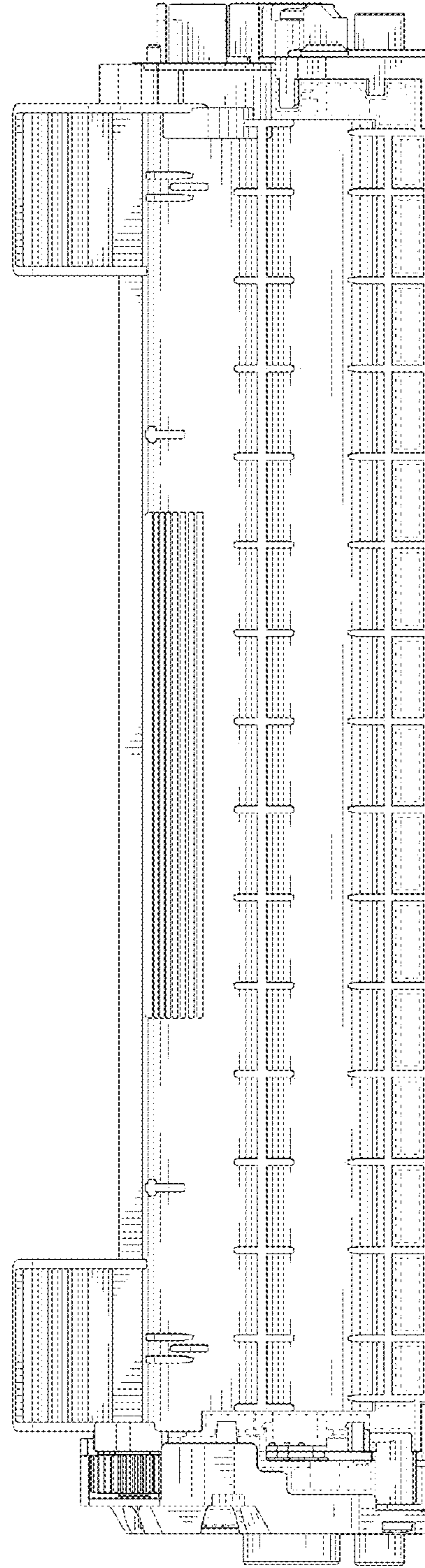


FIG. 7

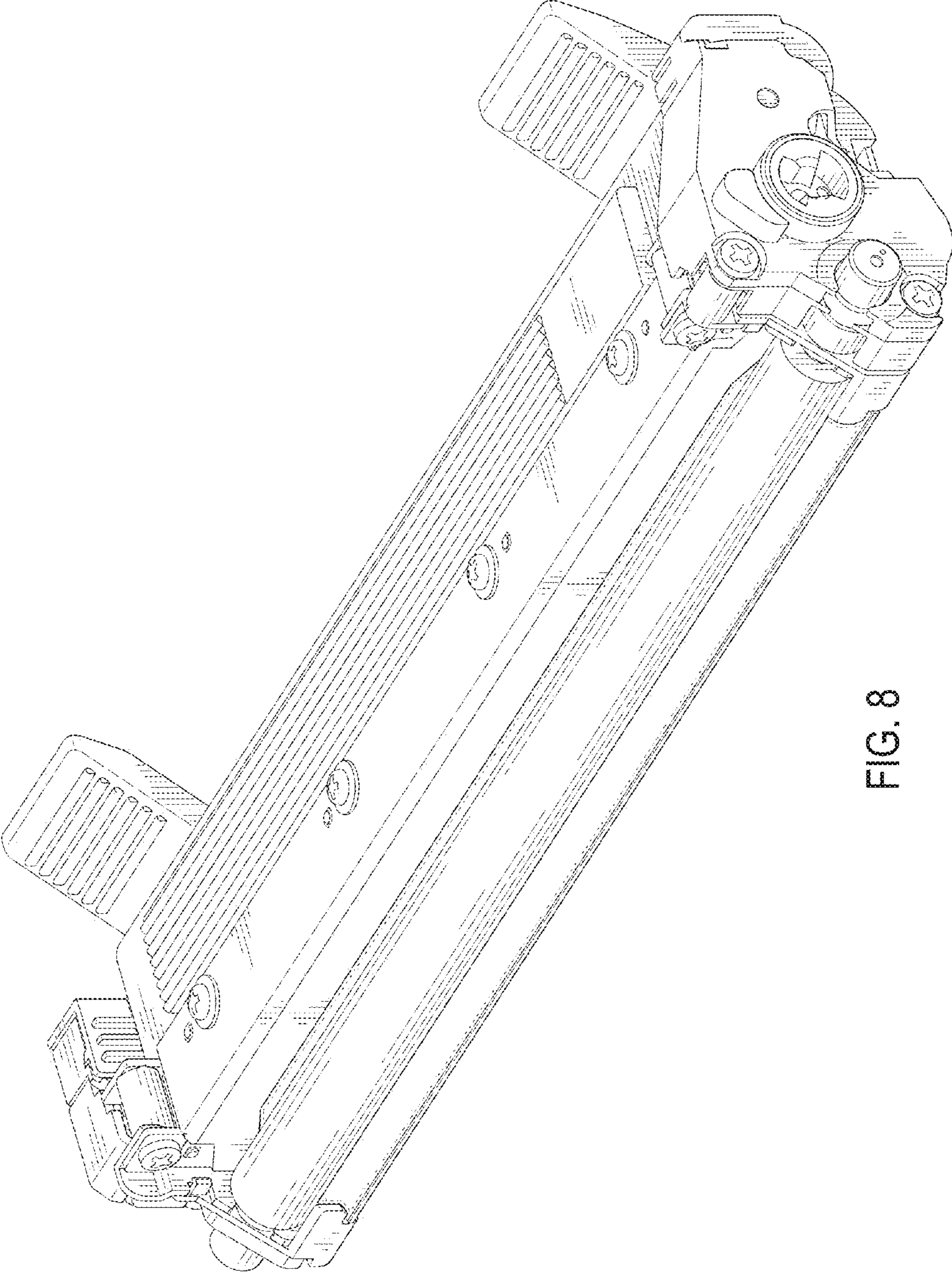


FIG. 8

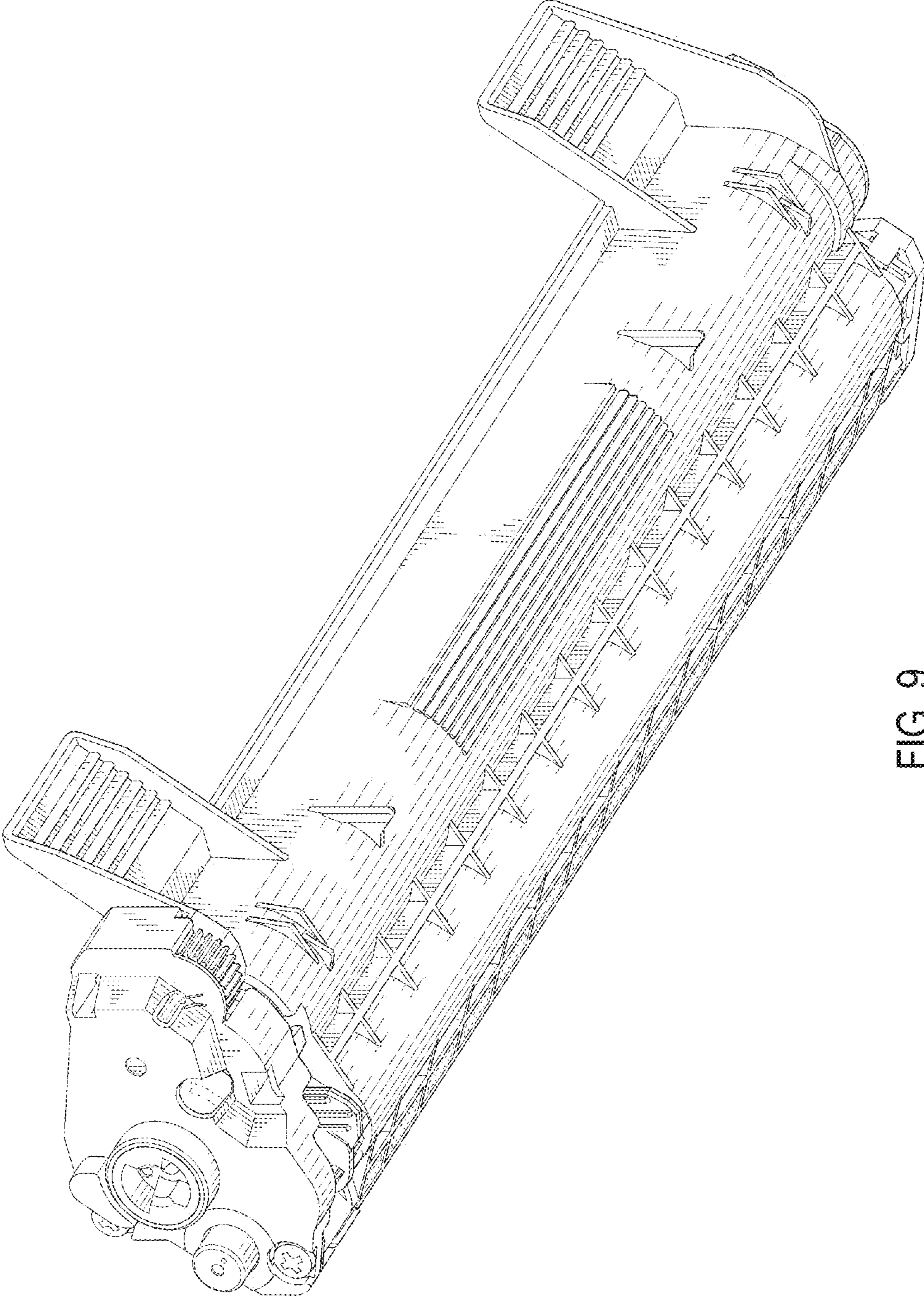


FIG. 9