



US00D718379S

(12) **United States Design Patent**  
**Sakuma et al.**

(10) **Patent No.:** **US D718,379 S**  
(45) **Date of Patent:** **\*\* Nov. 25, 2014**

- (54) **PHOTOSENSITIVE DRUM UNIT**
- (71) Applicants: **Susumu Sakuma**, Kasugai (JP);  
**Takeyuki Takagi**, Nagoya (JP)
- (72) Inventors: **Susumu Sakuma**, Kasugai (JP);  
**Takeyuki Takagi**, Nagoya (JP)
- (73) Assignee: **Brother Industries, Ltd.**, Nagoya (JP)
- (\*\*) Term: **14 Years**
- (21) Appl. No.: **29/451,166**
- (22) Filed: **Mar. 28, 2013**
- (30) **Foreign Application Priority Data**  
Nov. 20, 2012 (JP) ..... 2012-28324
- (51) **LOC (10) Cl.** ..... **16-03**
- (52) **U.S. Cl.**  
USPC ..... **D18/43**
- (58) **Field of Classification Search**  
CPC ..... G03G 15/0832; G03G 15/5016; G03G  
15/50; G03G 15/0837; B41J 29/393  
USPC ..... D18/12, 36, 40, 43, 44, 56; D14/471;  
347/49, 50, 197, 222; 399/11, 106,  
399/119, 120, 230, 258, 262; 222/DIG. 1  
See application file for complete search history.

- (56) **References Cited**  
U.S. PATENT DOCUMENTS  
D410,676 S \* 6/1999 Kurabayashi et al. .... D18/40  
D475,082 S \* 5/2003 Kubota et al. .... D18/40  
D496,395 S \* 9/2004 Miyagawa ..... D18/40  
D501,021 S \* 1/2005 Saiki et al. .... D18/40  
D507,295 S 7/2005 Ishii et al.  
D509,239 S 9/2005 Ishii et al.  
D521,545 S 5/2006 Ishii et al.

- D523,894 S 6/2006 Ishii et al.
- D523,895 S 6/2006 Ishii et al.
- D523,896 S 6/2006 Ishii et al.
- D550,763 S 9/2007 Ishikawa et al.
- D551,285 S 9/2007 Ishikawa et al.
- D594,899 S 6/2009 Ogasawara et al.
- D594,900 S 6/2009 Ogasawara et al.
- D601,184 S 9/2009 Ogasawara et al.
- D622,309 S \* 8/2010 Kubota et al. .... D18/43
- D633,137 S \* 2/2011 Chadani et al. .... D18/43
- D637,226 S 5/2011 Sakuma et al.
- D638,053 S 5/2011 Sato et al.
- D647,956 S \* 11/2011 Kweon et al. .... D18/43
- D706,339 S \* 6/2014 Choi et al. .... D18/43
- 2003/0198489 A1 \* 10/2003 Liu et al. .... 399/262
- 2009/0214257 A1 \* 8/2009 Kweon et al. .... 399/120

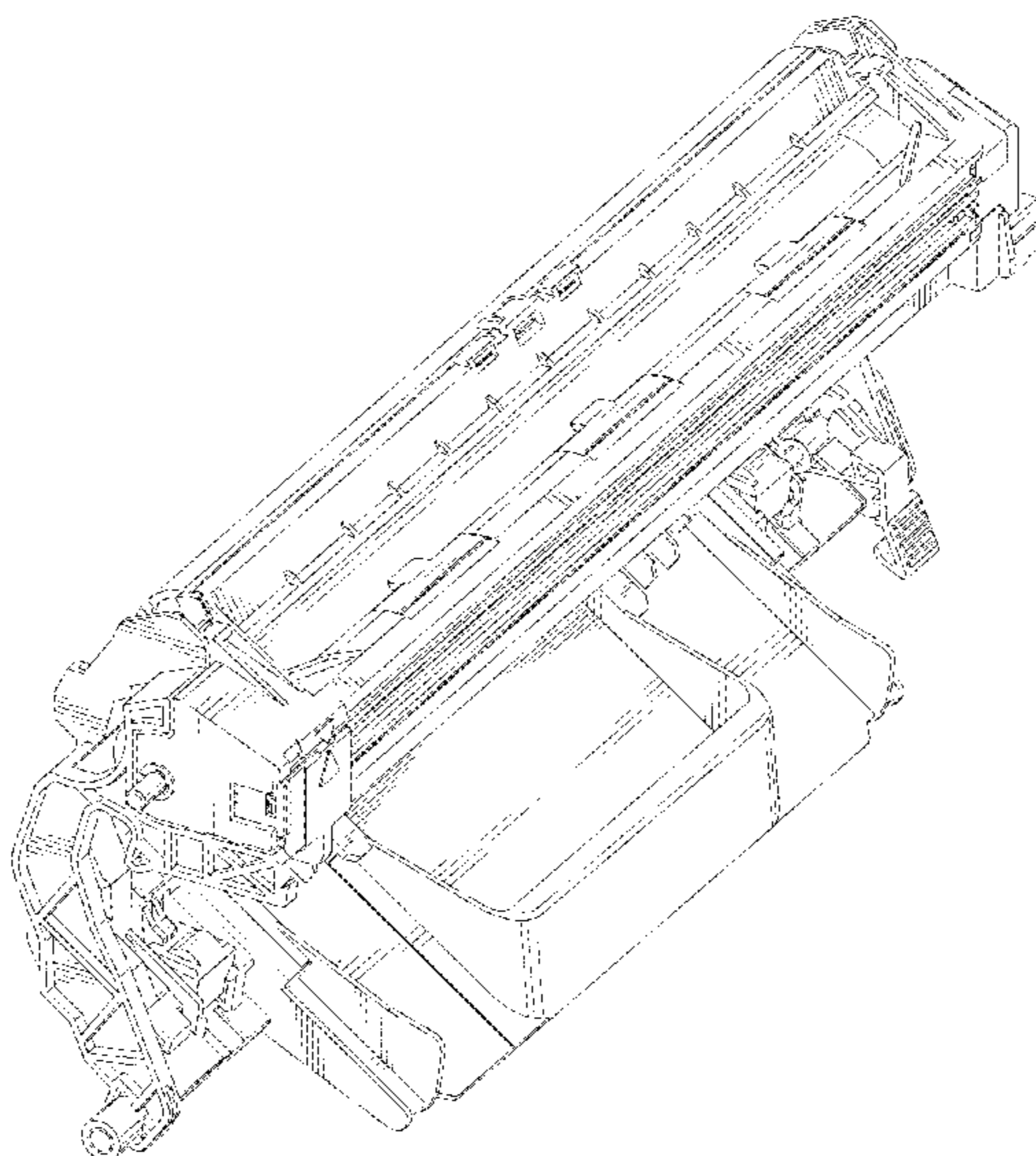
\* cited by examiner

*Primary Examiner* — Thomas Johannes  
*Assistant Examiner* — Chelsea Sealey  
(74) *Attorney, Agent, or Firm* — Oliff PLC

(57) **CLAIM**  
The ornamental design for a photosensitive drum unit, as shown and described.

**DESCRIPTION**  
FIG. 1 is a top, front, left-side perspective view of a photo-sensitive drum unit showing our new design;  
FIG. 2 is a front view thereof;  
FIG. 3 is a top view thereof;  
FIG. 4 is a right-side view thereof;  
FIG. 5 is a left-side view thereof;  
FIG. 6 is a rear view thereof;  
FIG. 7 is a bottom view thereof;  
FIG. 8 is top, rear, left-side perspective view thereof; and,  
FIG. 9 is a bottom, rear, right-side perspective view thereof.  
The broken lines in FIGS. 1, 2, 4, 5 and 9 indicate unclaimed portions of the article that form no part of the claimed design.

**1 Claim, 8 Drawing Sheets**



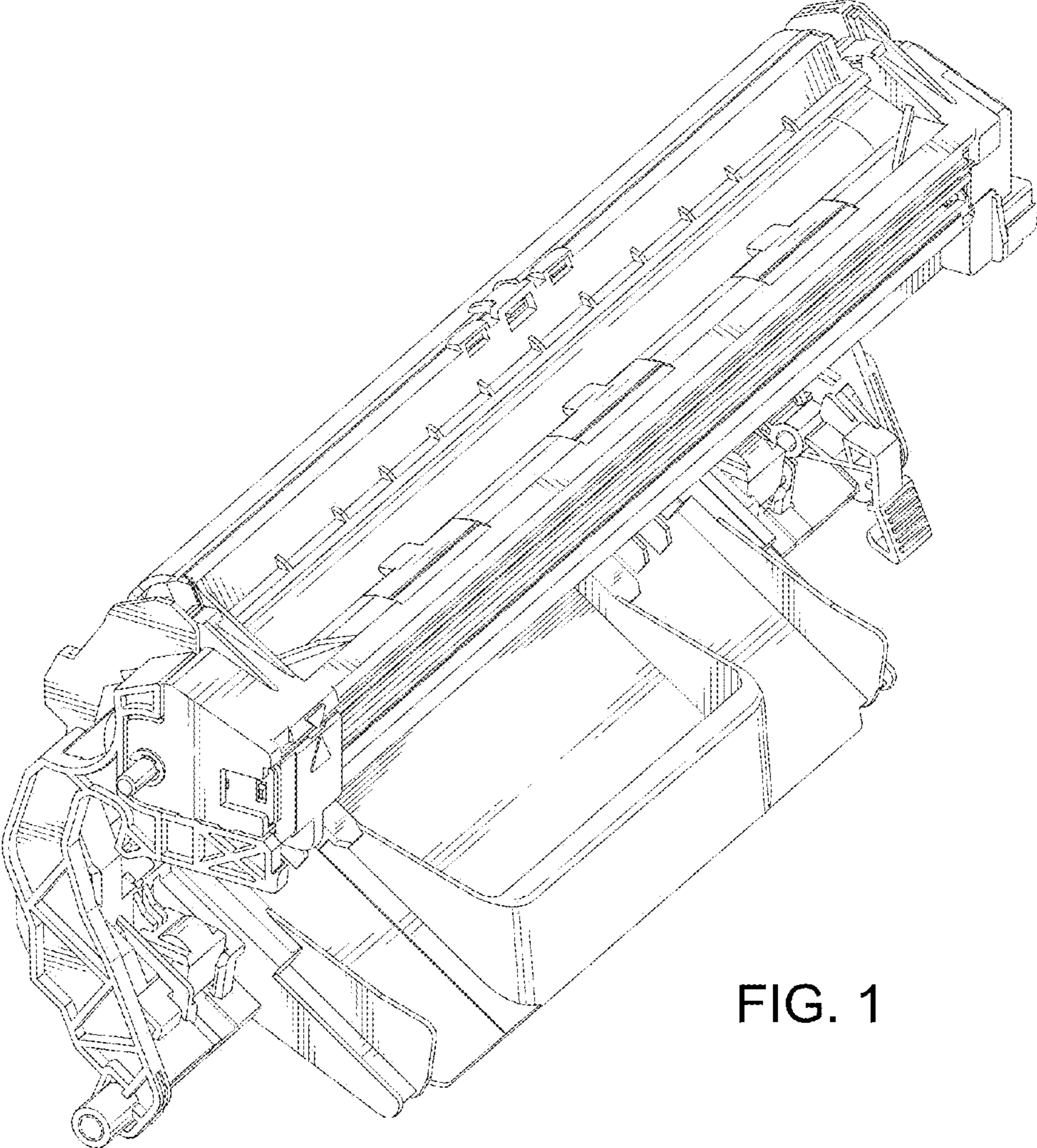


FIG. 1

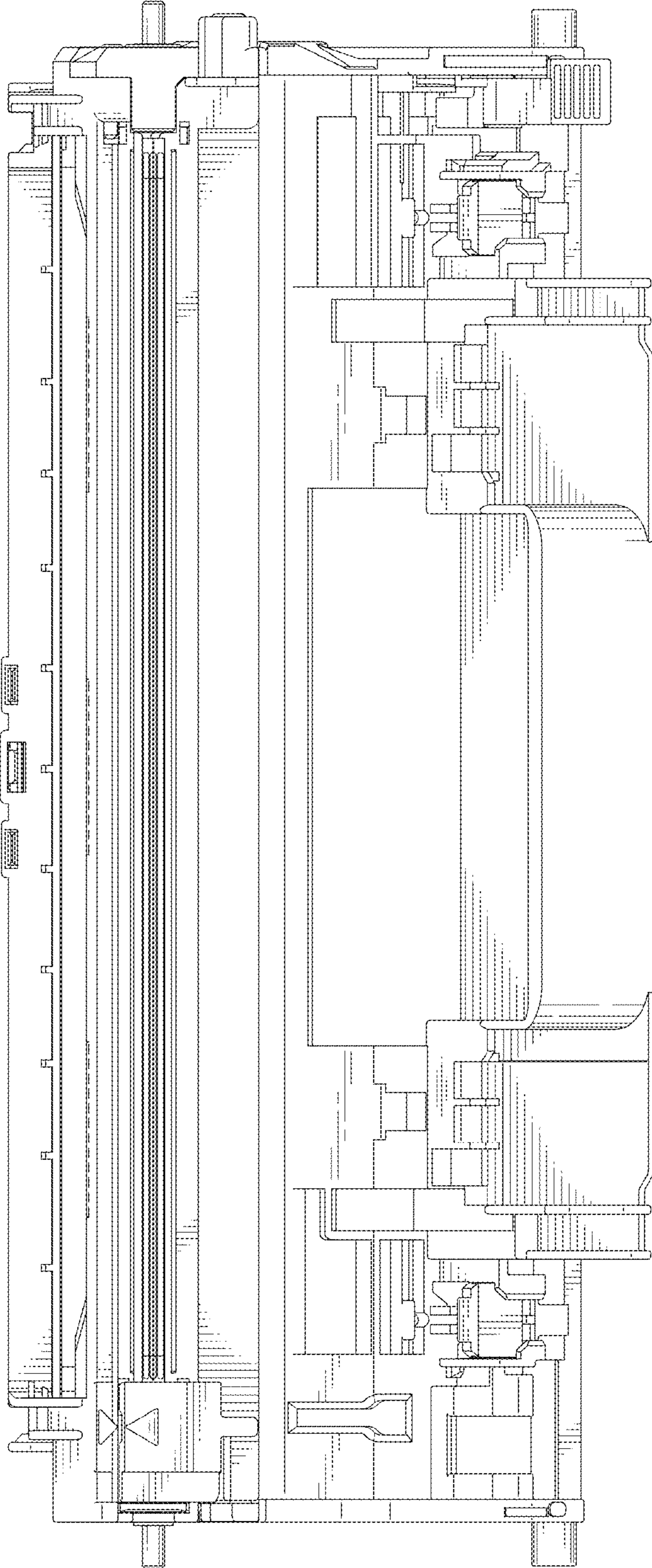


FIG. 2

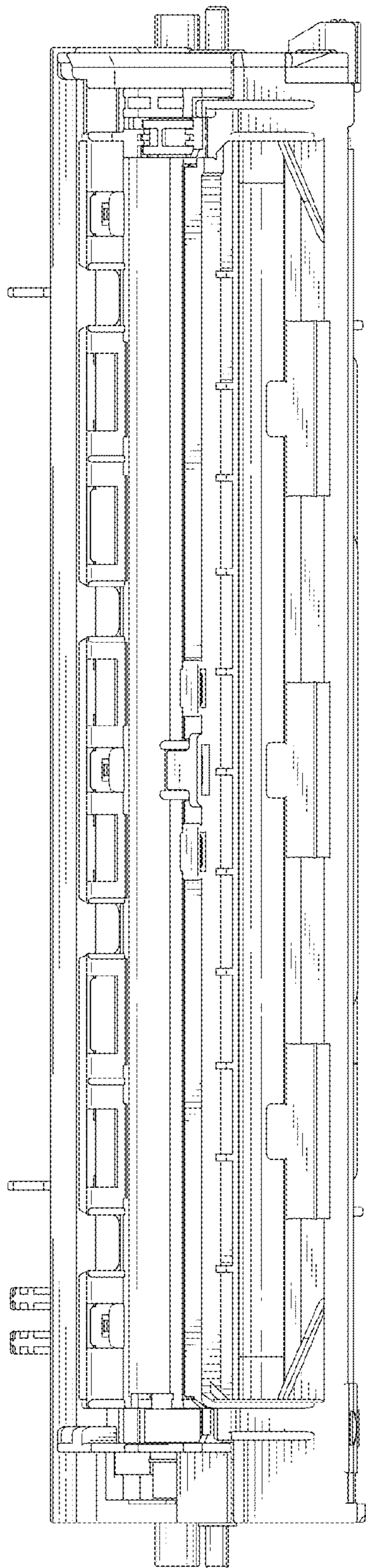


FIG. 3

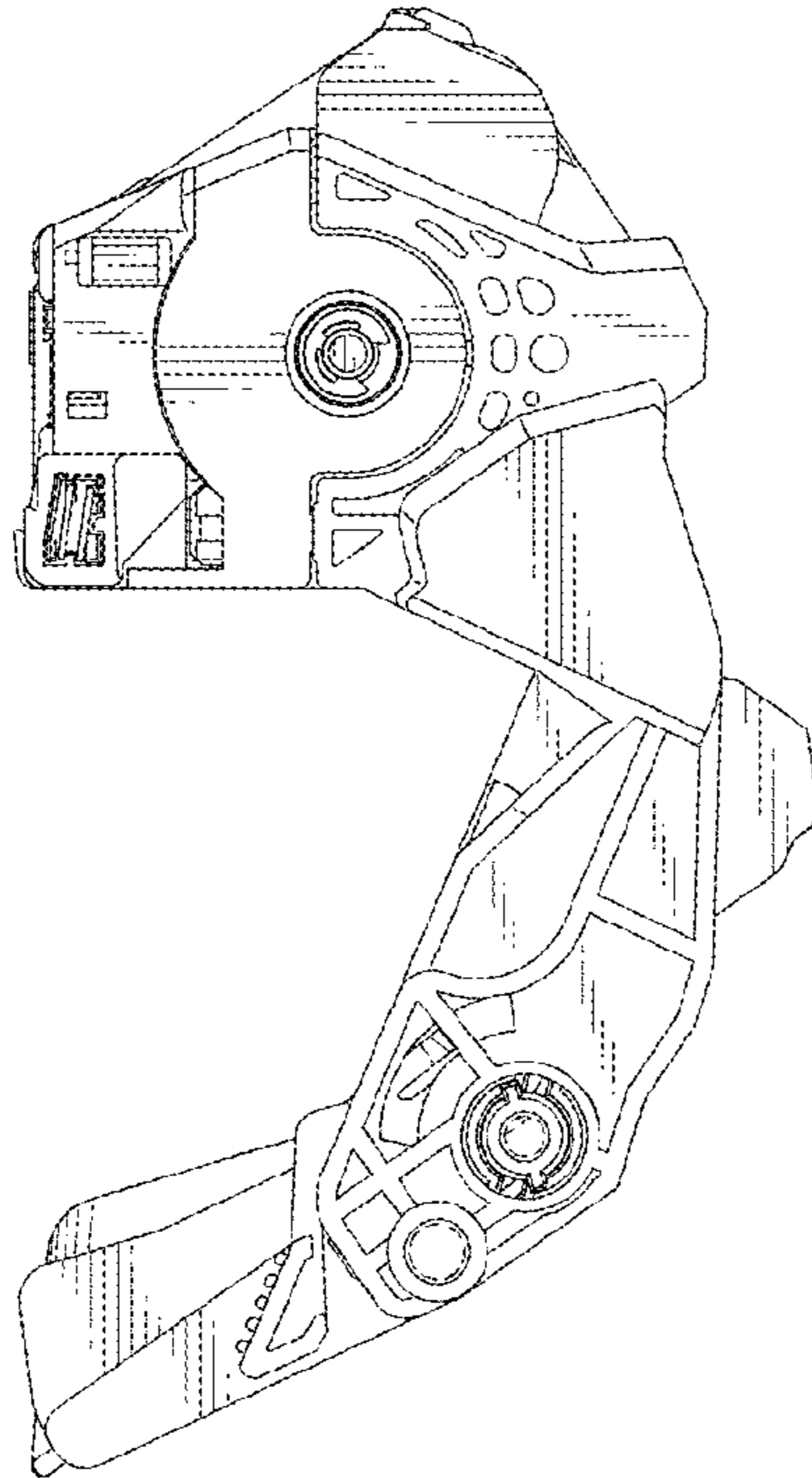


FIG. 4

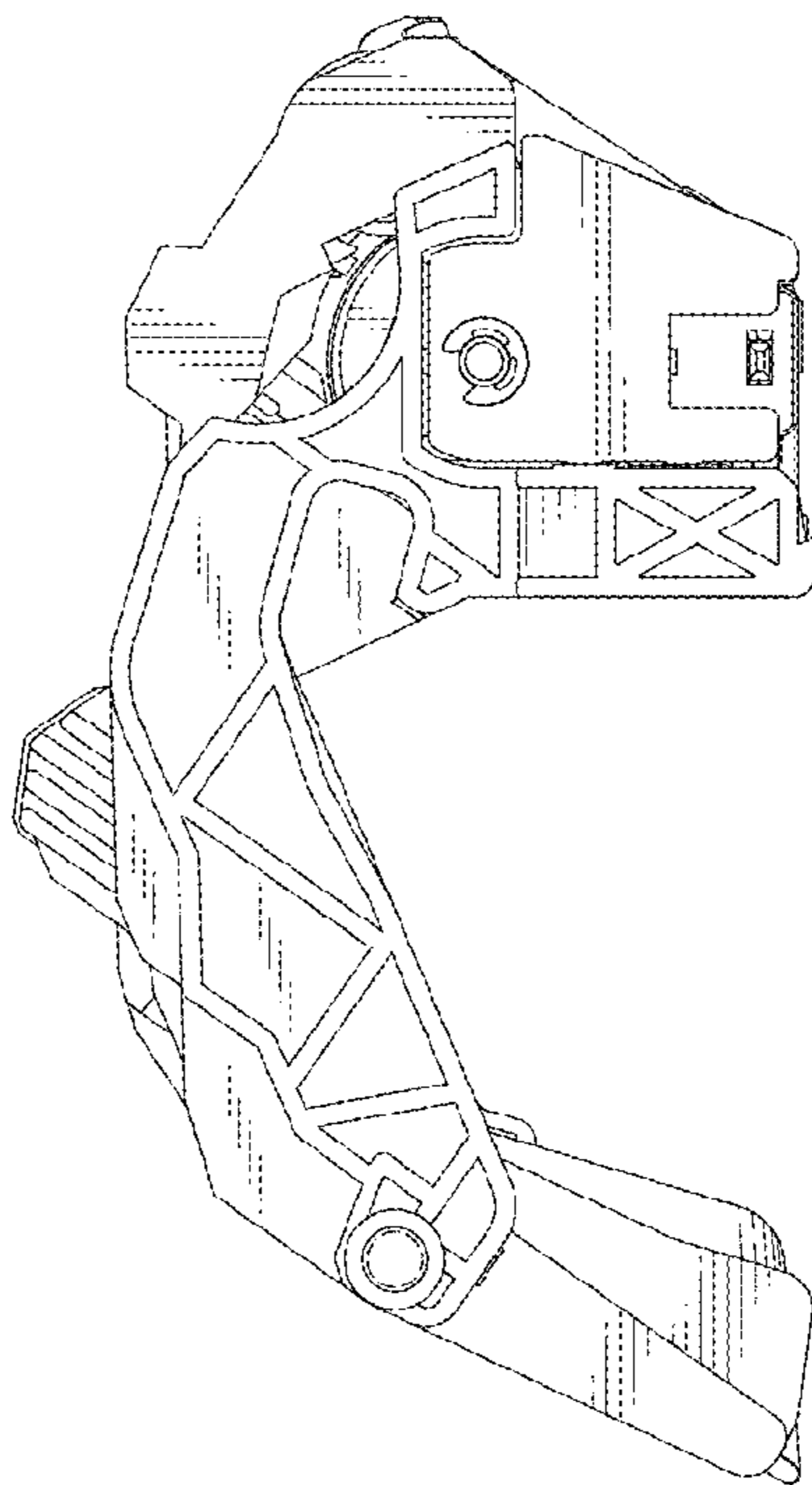


FIG. 5

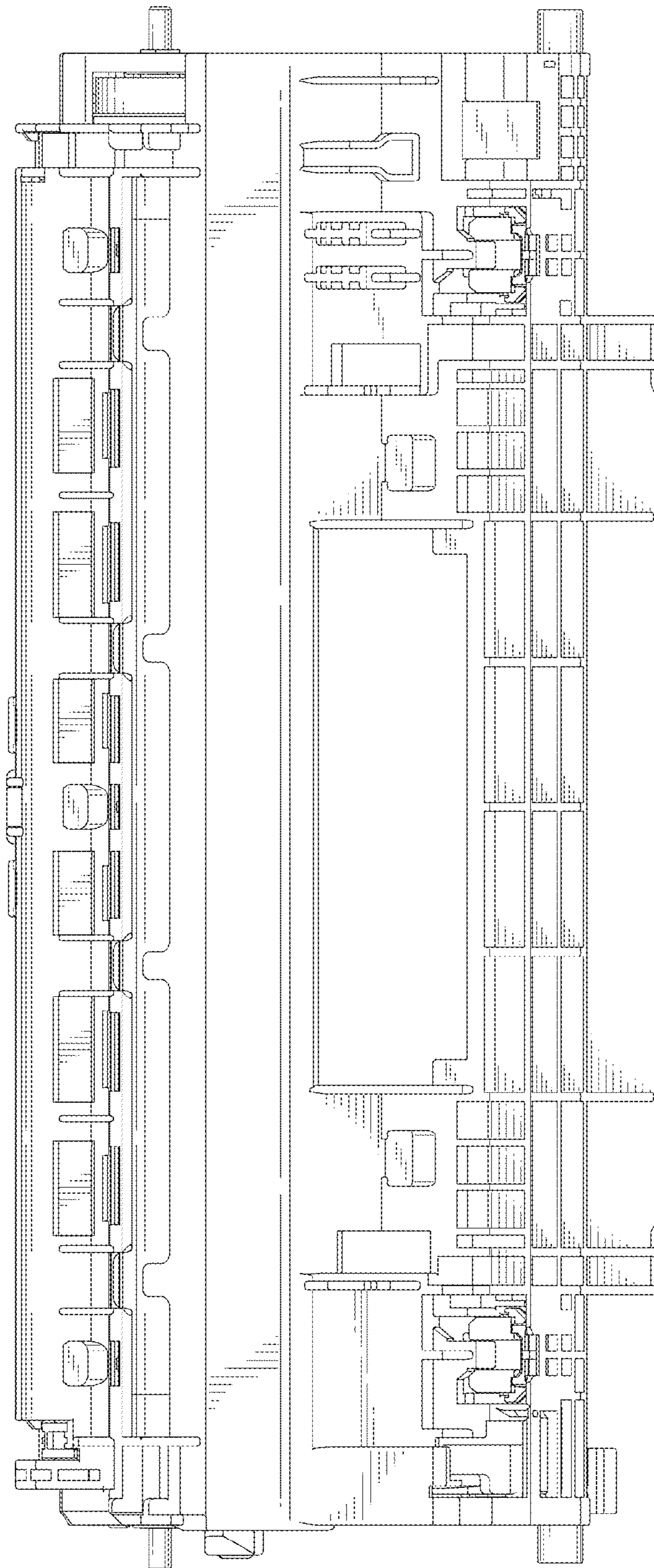


FIG. 6

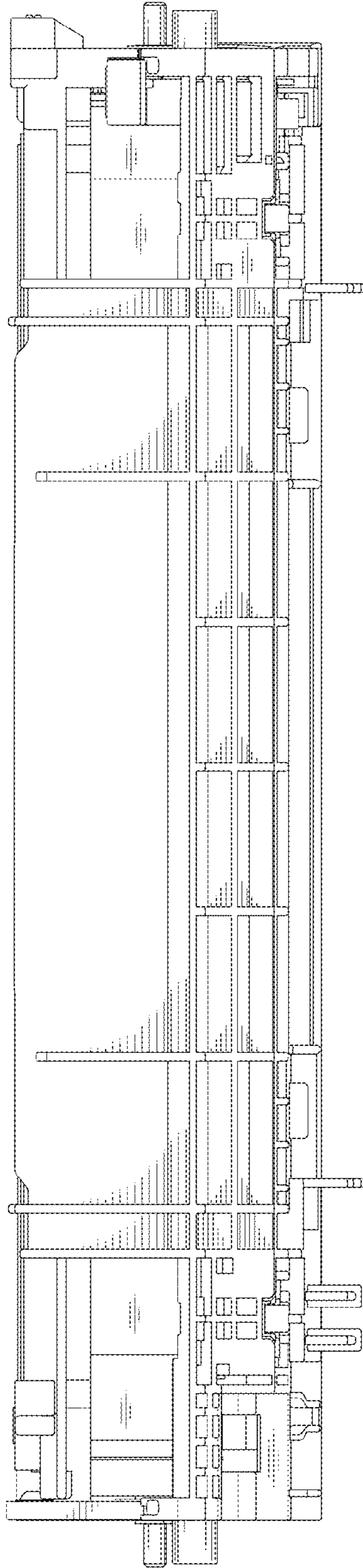


FIG. 7

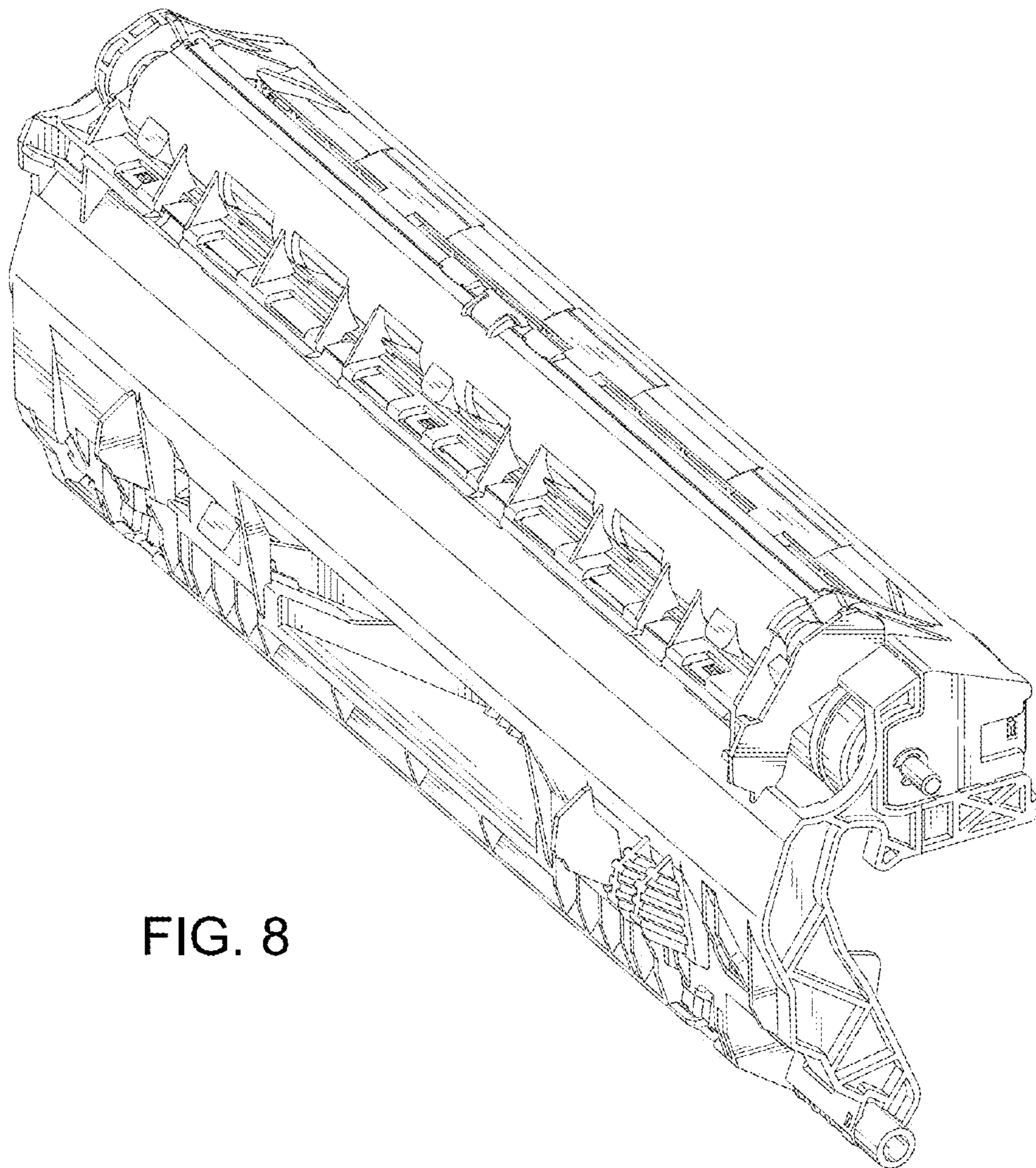


FIG. 8



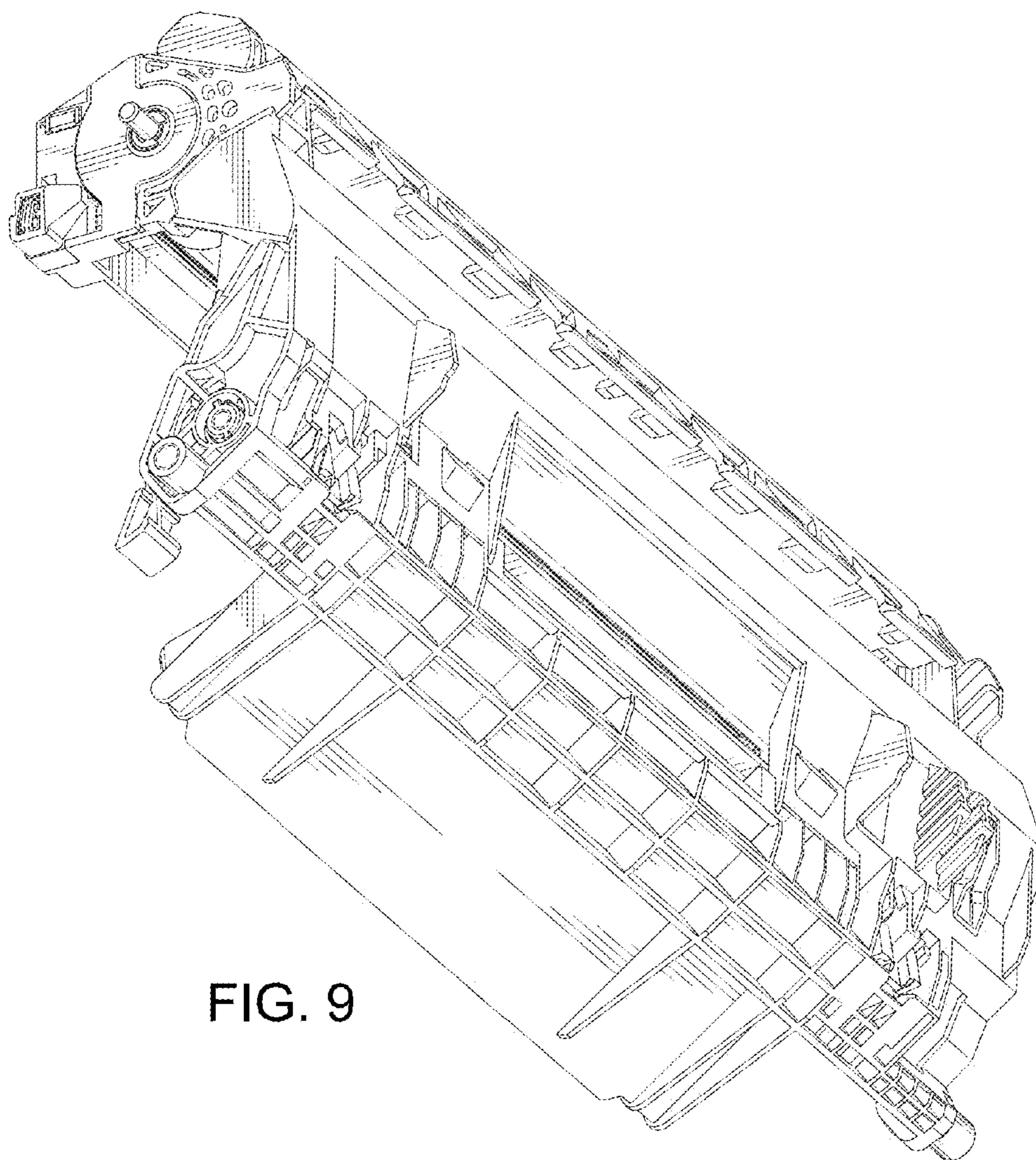


FIG. 9