



US00D718377S

(12) **United States Design Patent**  
**Laukat et al.**

(10) **Patent No.:** **US D718,377 S**  
(45) **Date of Patent:** **\*\* Nov. 25, 2014**

(54) **PERFORATED SINGLE KEY GUARD DESIGN FOR A SAXOPHONE**

(71) Applicants: **Sheryl Laukat**, Sandy, UT (US); **Tevis Laukat**, Sandy, UT (US)

(72) Inventors: **Sheryl Laukat**, Sandy, UT (US); **Tevis Laukat**, Sandy, UT (US)

(\*\*) Term: **14 Years**

(21) Appl. No.: **29/443,959**

(22) Filed: **Jan. 24, 2013**

(51) **LOC (10) Cl.** ..... **17-02**

(52) **U.S. Cl.**  
USPC ..... **D17/13**

(58) **Field of Classification Search**  
USPC ..... D17/10, 11, 13, 99; 84/330, 380 R, 381, 84/382, 383 A, 384, 385 R, 386, 387 R, 84/391, 395, 398, 400, 453, 456, 470 R; D21/405, 411

See application file for complete search history.

(56) **References Cited**

**U.S. PATENT DOCUMENTS**

D150,299 S \* 7/1948 Johnson ..... D17/13  
3,136,200 A \* 6/1964 Leblanc ..... 84/385 R  
5,796,022 A \* 8/1998 Miller ..... 84/380 R  
D407,101 S \* 3/1999 Garbuzov ..... D17/13

D419,586 S \* 1/2000 Kuo ..... D17/10  
6,329,582 B1 \* 12/2001 Catalano, Jr. .... 84/385 R  
6,476,302 B1 \* 11/2002 Liu ..... 84/385 R  
D525,645 S \* 7/2006 Laukat et al. .... D17/13  
2013/0186257 A1 \* 7/2013 Chen ..... 84/385 R

\* cited by examiner

*Primary Examiner* — Rashida Johnson

(74) *Attorney, Agent, or Firm* — Schmeiser Olsen & Watts LLP

(57) **CLAIM**

The ornamental design for a perforated single key guard design for a saxophone, as shown and described.

**DESCRIPTION**

FIG. 1 is a reduced top perspective view of a perforated single key guard design for a saxophone showing my new design in use on a saxophone;

FIG. 2 is a top rear perspective view thereof;

FIG. 3 is a front view thereof;

FIG. 4 is a back view thereof;

FIG. 5 is a top view thereof;

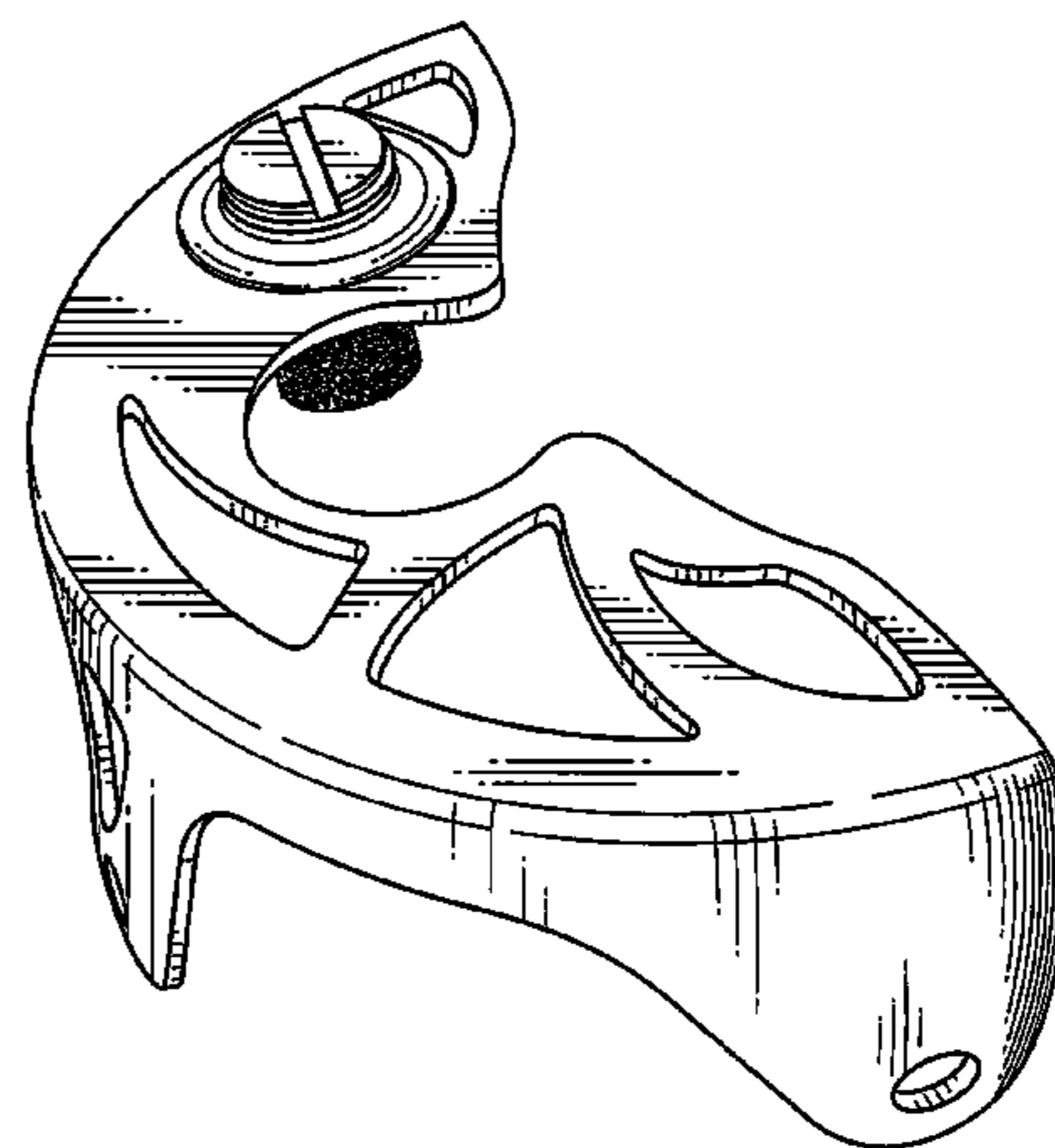
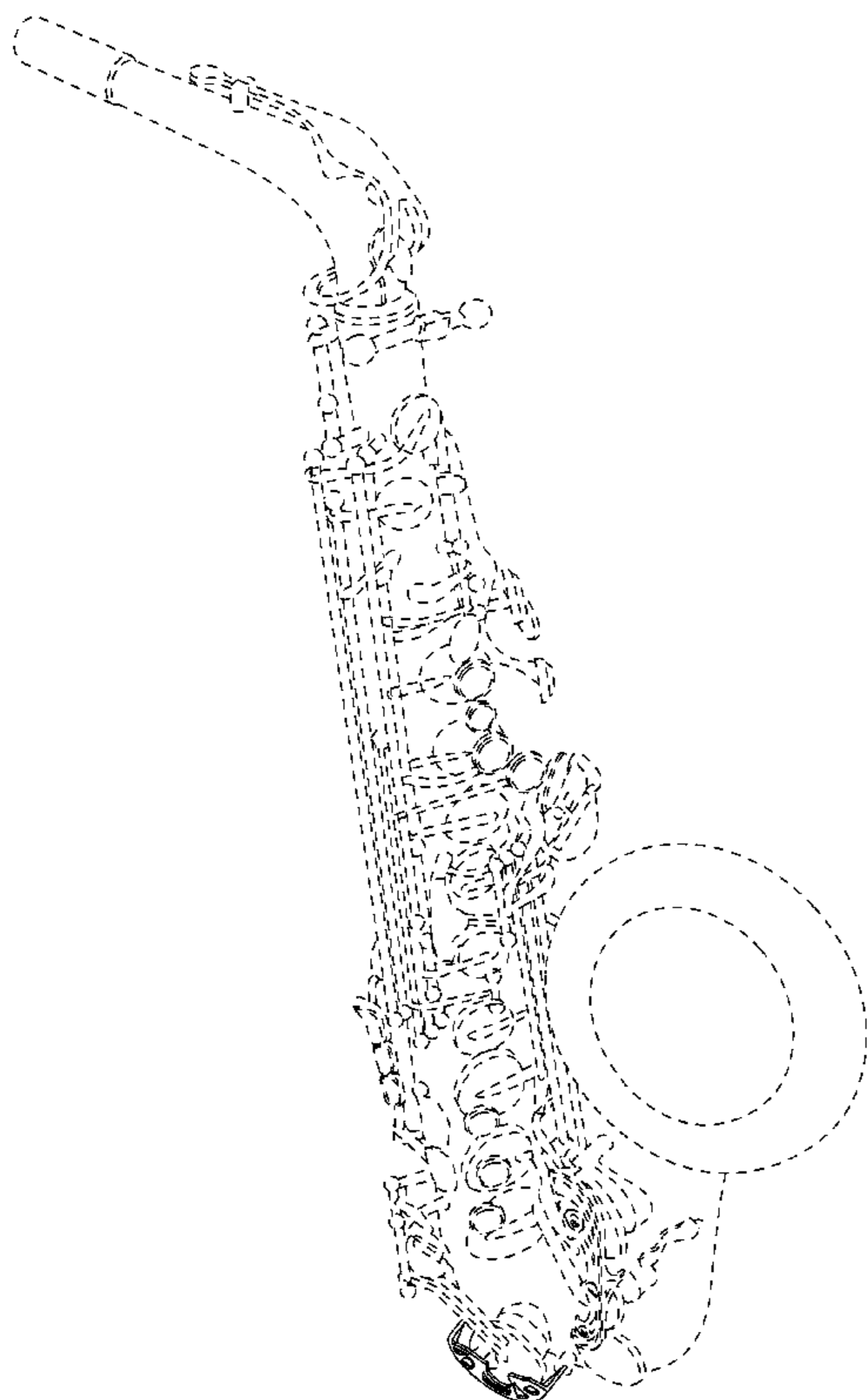
FIG. 6 is a bottom view thereof; and,

FIG. 7 is a left side view thereof; and,

FIG. 8 is a right side view thereof.

The broken lines showing a saxophone in FIG. 1 are for illustrative purposes and form no part of the claimed design.

**1 Claim, 5 Drawing Sheets**



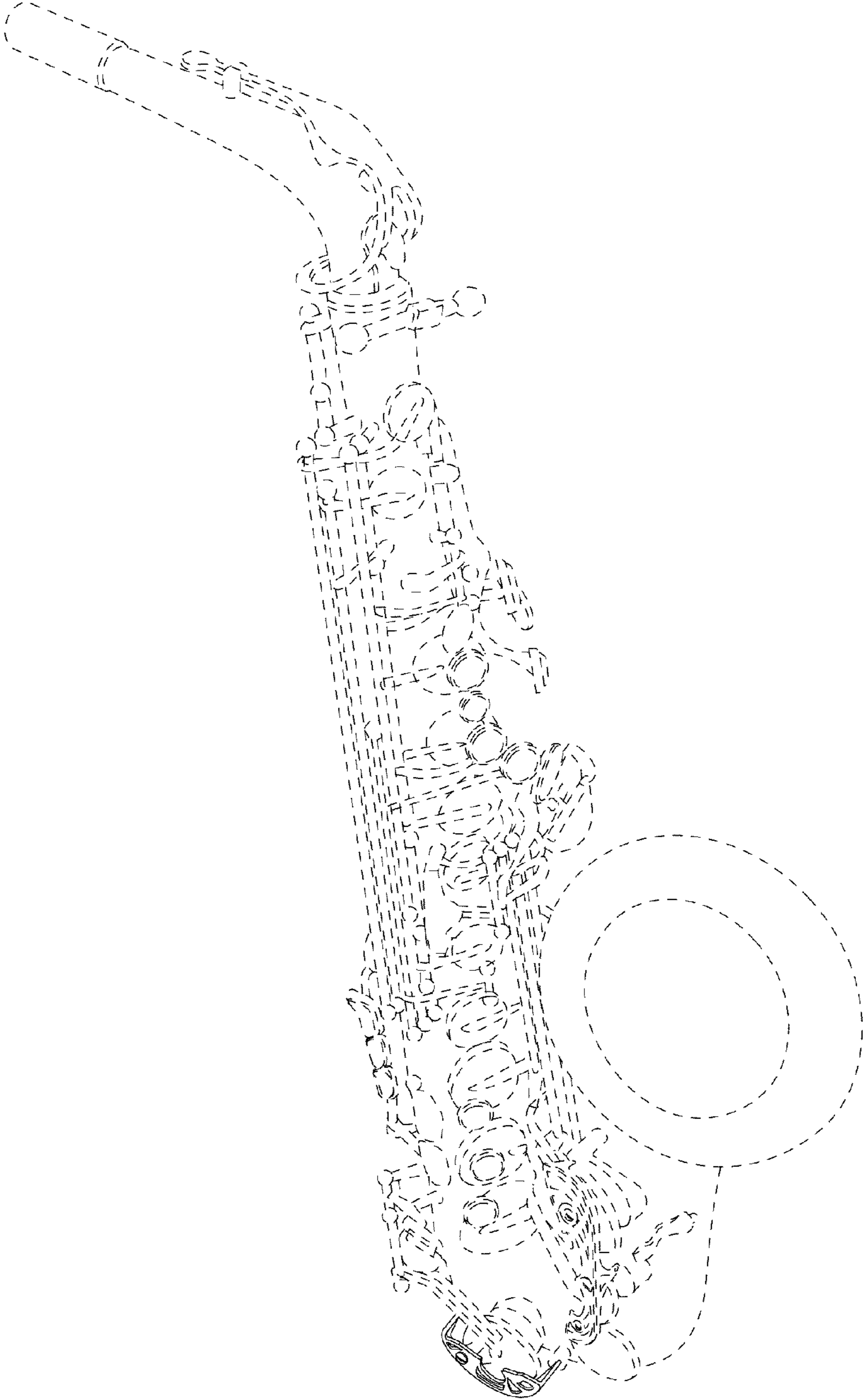


FIG. 1

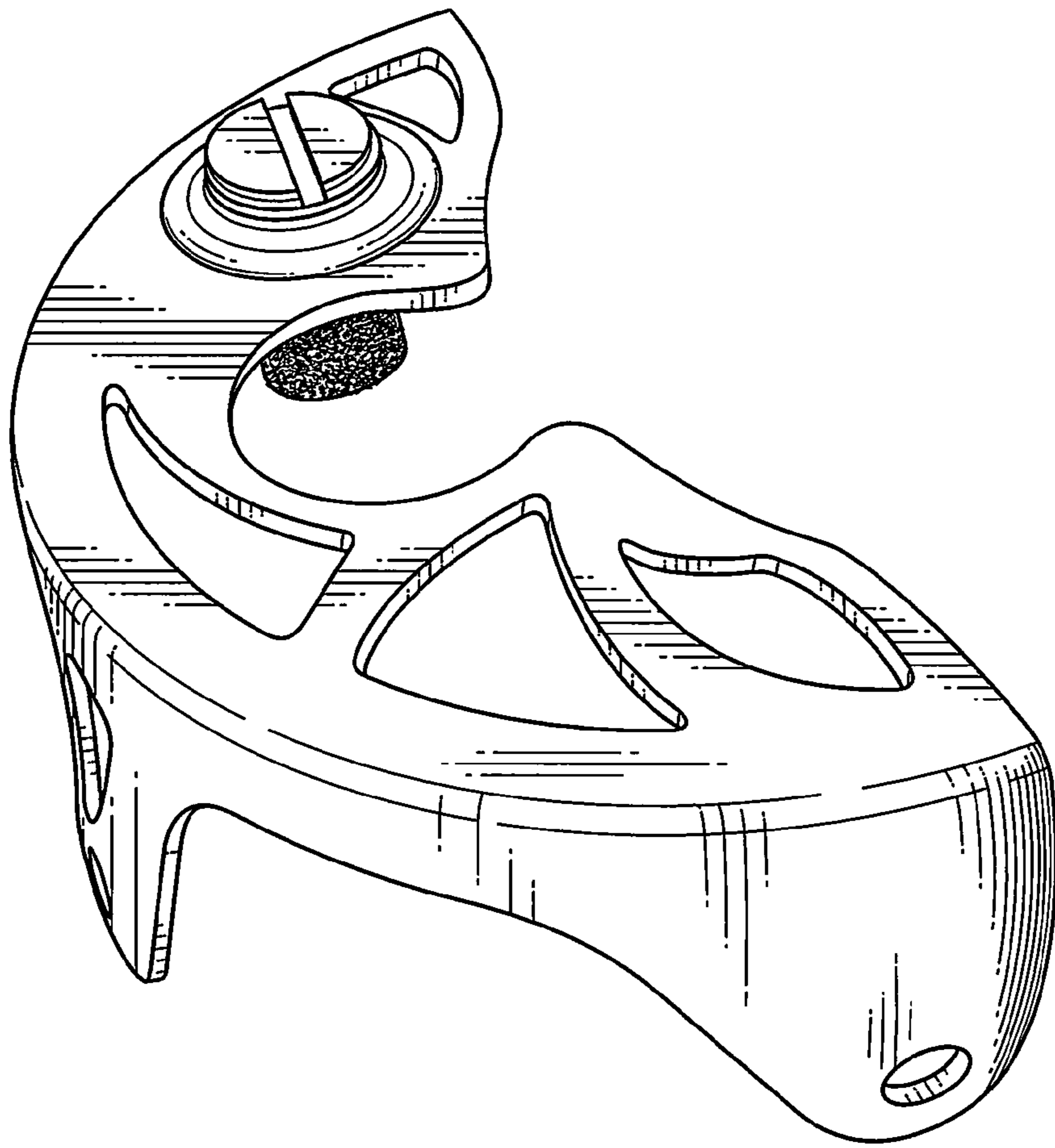


FIG. 2

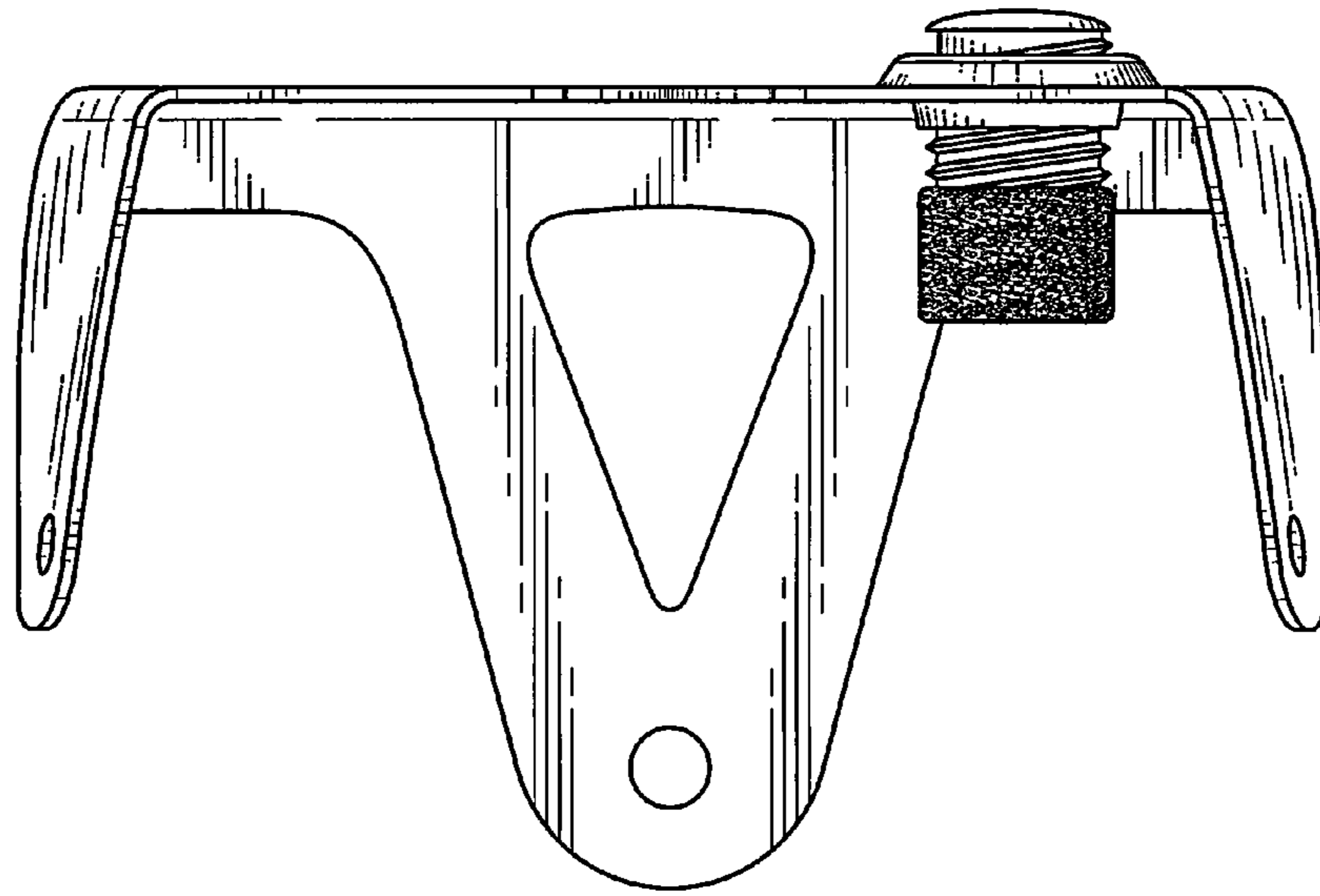


FIG. 3

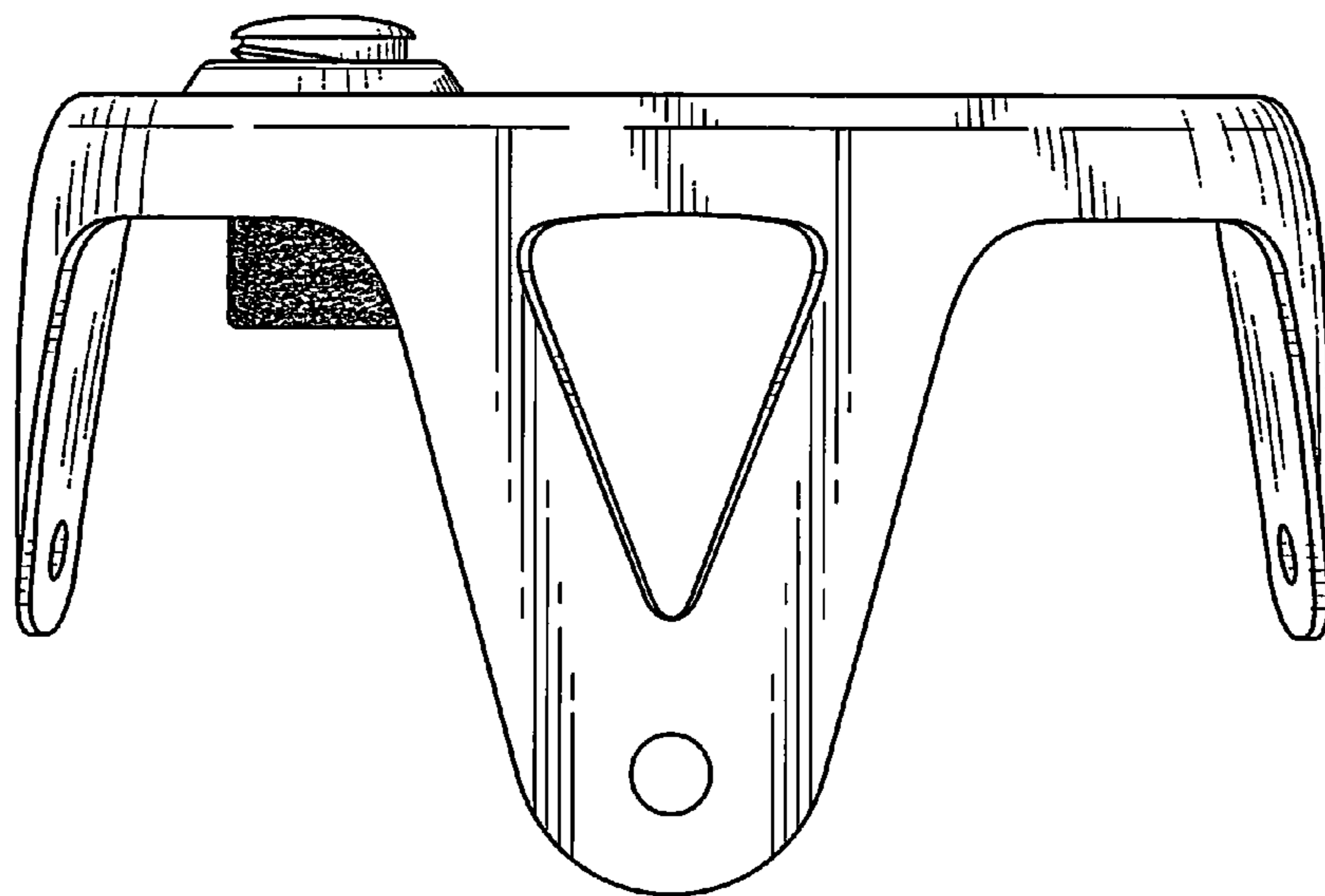


FIG. 4

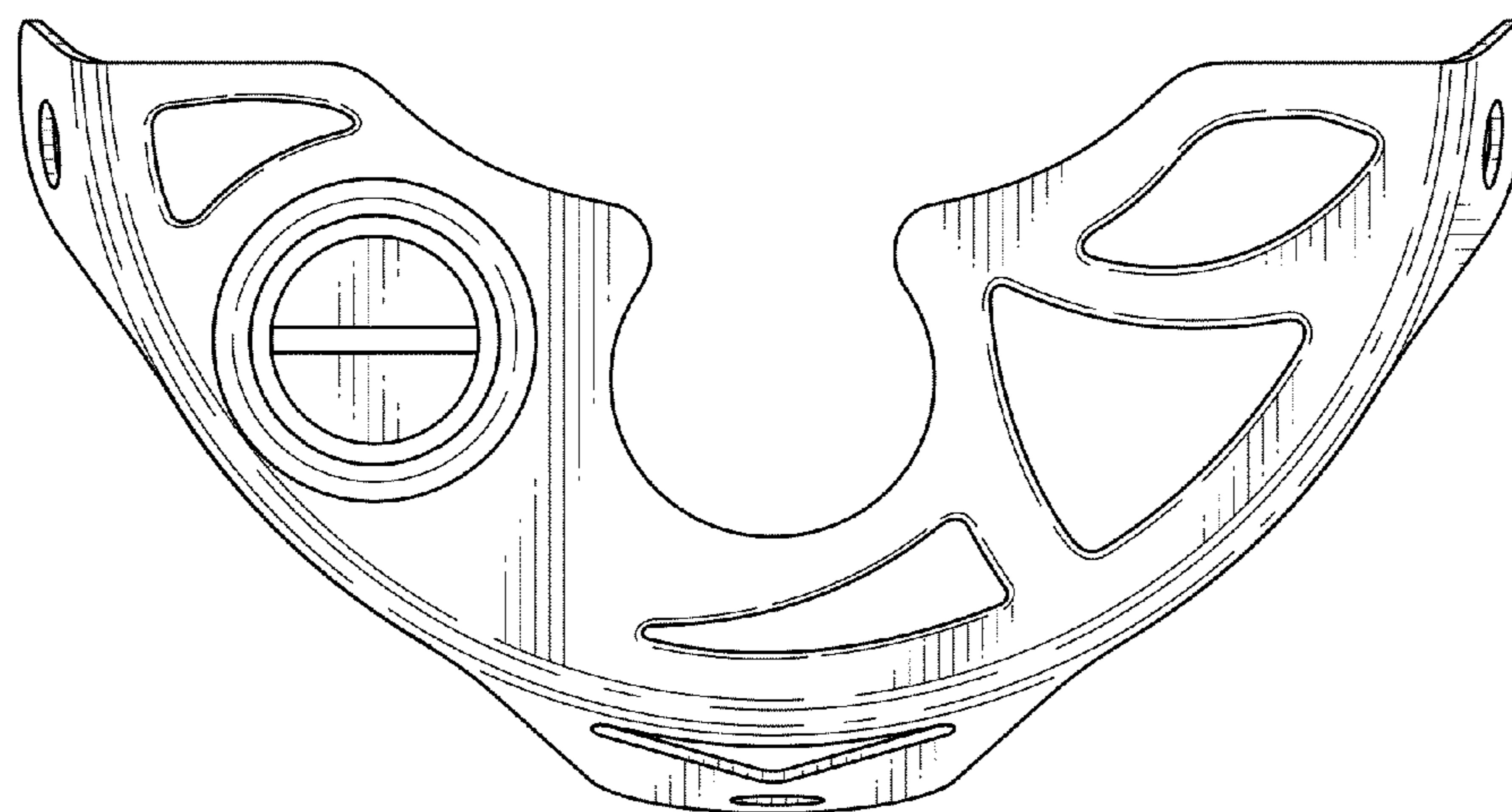


FIG. 5

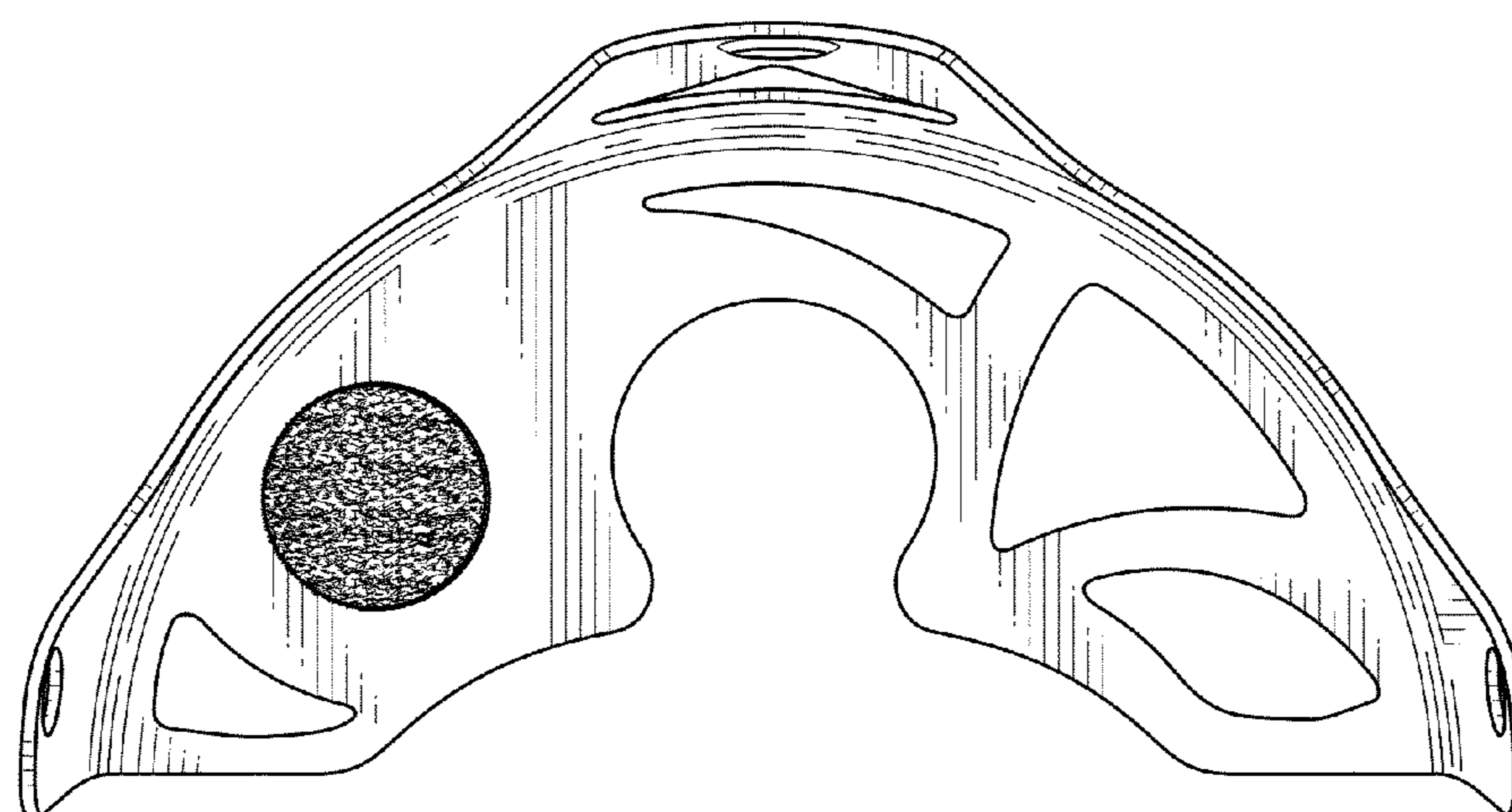


FIG. 6

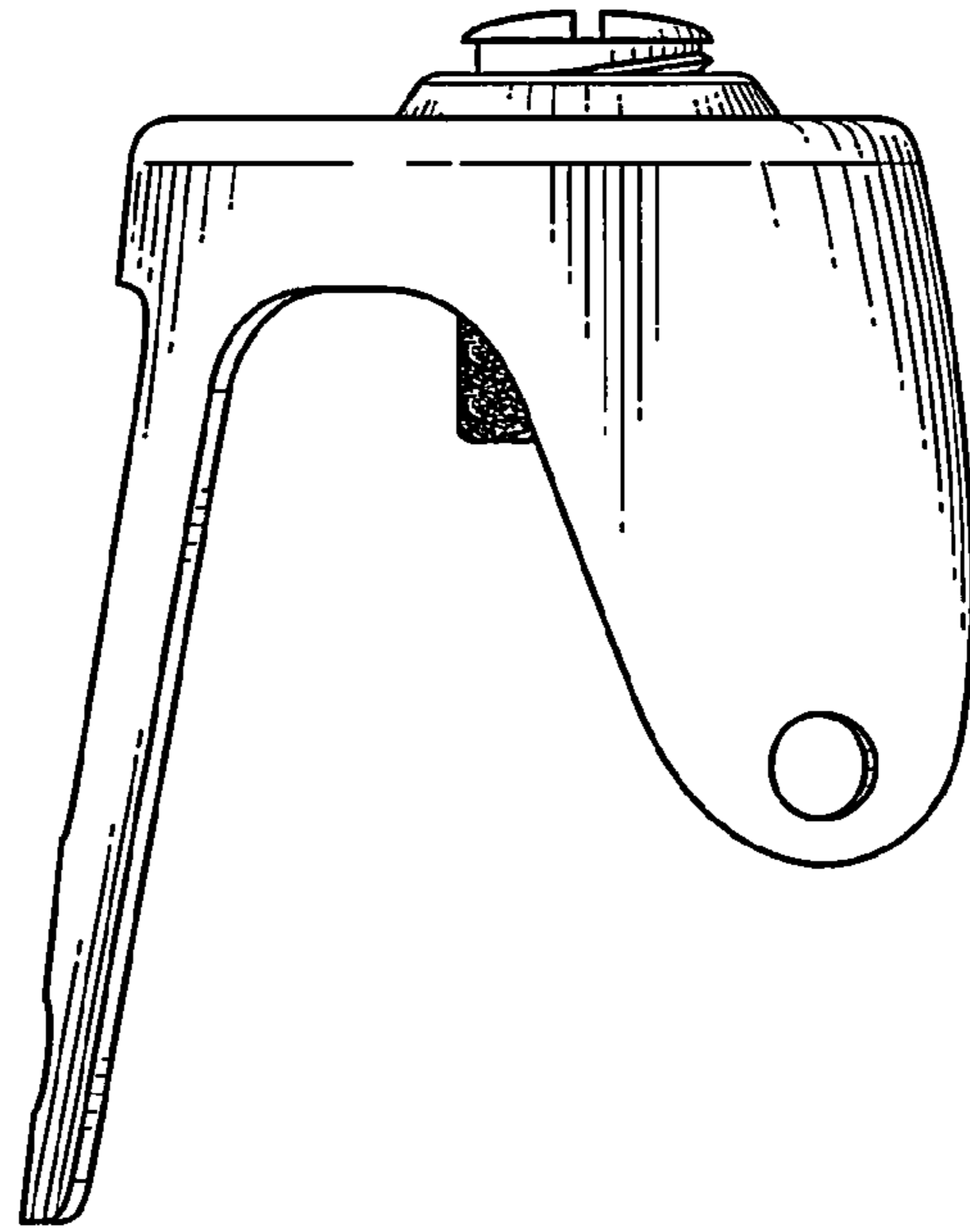


FIG. 7

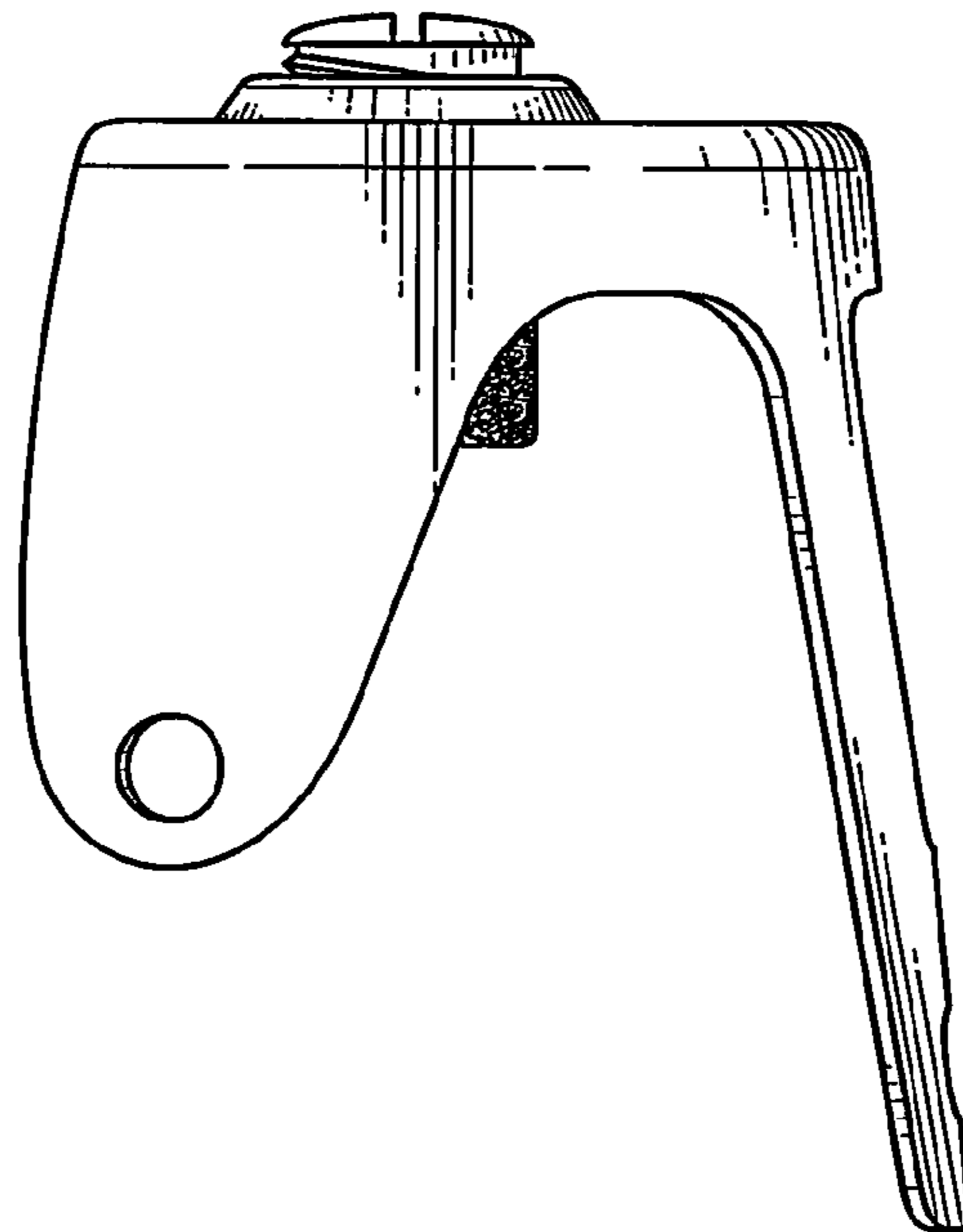


FIG. 8