



US00D718374S

(12) **United States Design Patent**
Gonzalez

(10) **Patent No.:** **US D718,374 S**
(45) **Date of Patent:** **** Nov. 25, 2014**

(54) **DIGITAL PIANO**
(71) Applicant: **Yamaha Corporation**, Hamamatsu-shi,
Shizuoka (JP)
(72) Inventor: **Jose Gonzalez**, Hamamatsu (JP)
(73) Assignee: **Yamaha Corporation**, Shizuoka (JP)
(**) Term: **14 Years**

D557,327 S *	12/2007	Onishi et al.	D17/1
D558,255 S *	12/2007	Reichhuber	D17/1
D568,373 S *	5/2008	Suzuki	D17/1
D585,478 S *	1/2009	Takei	D17/1
D636,013 S *	4/2011	Shin et al.	D17/1
D667,867 S *	9/2012	Kitazawa	D17/1
D668,287 S *	10/2012	Kitazawa	D17/1
D668,709 S *	10/2012	Williamson et al.	D17/1
D668,710 S *	10/2012	Okamura et al.	D17/1
D696,714 S *	12/2013	Kashiwase	D17/1
D696,715 S *	12/2013	Sato et al.	D17/1

* cited by examiner

(21) Appl. No.: **29/465,588**
(22) Filed: **Aug. 29, 2013**
(51) **LOC (10) Cl.** **17-01**
(52) **U.S. Cl.**
USPC **D17/1**
(58) **Field of Classification Search**
USPC D17/1, 2, 7-9; 84/13, 19, 423 R, 424,
84/426, 427, 443, 719, 720, 744, 745;
D21/409
See application file for complete search history.

Primary Examiner — Rashida Johnson
(74) *Attorney, Agent, or Firm* — Sughrue Mion, PLLC

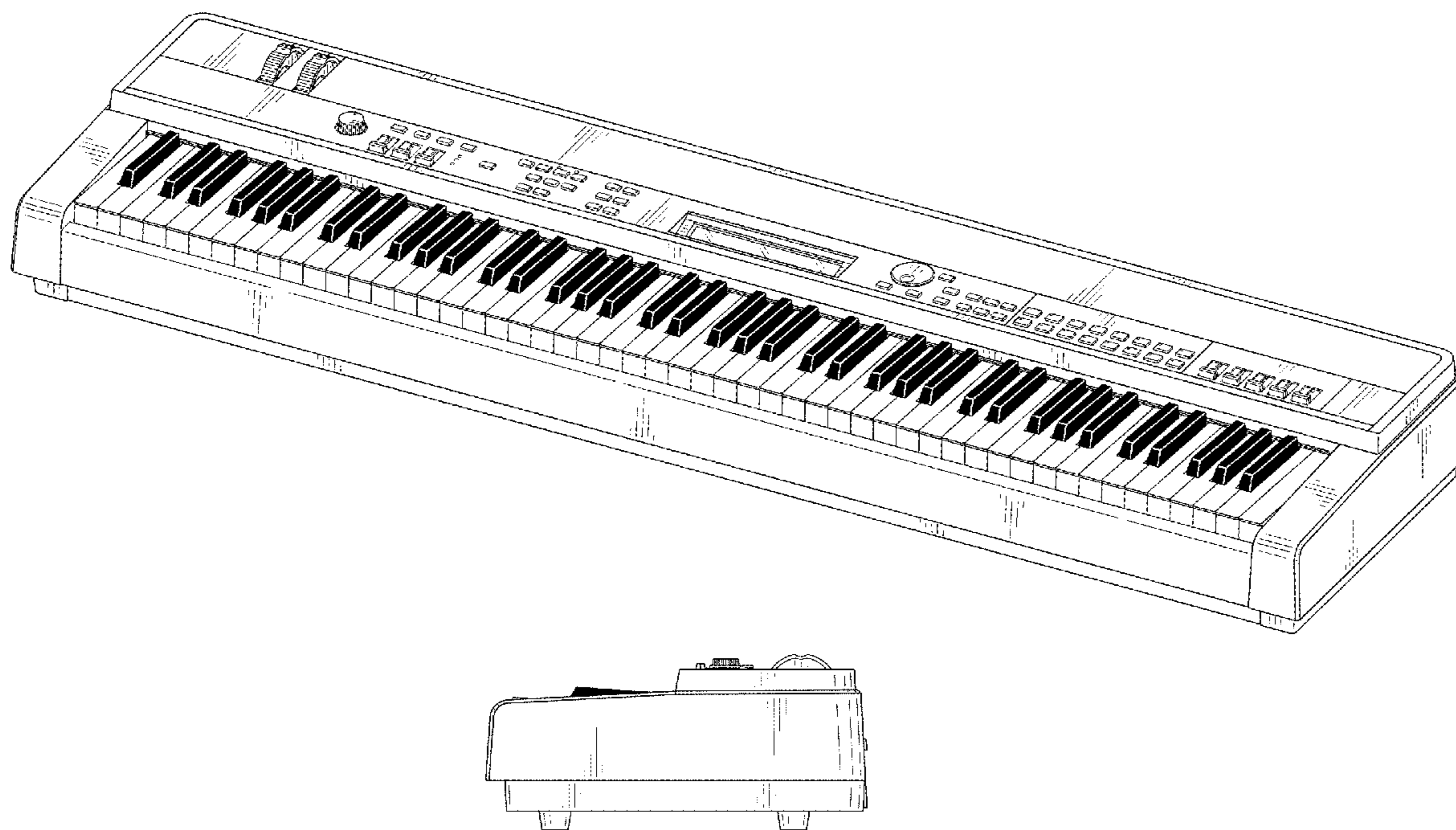
(57) **CLAIM**
The ornamental design for a digital piano, as shown and described.

DESCRIPTION

FIG. 1 is a perspective view of the front, top and right side of a digital piano showing my new design;
FIG. 2 is a front view thereof;
FIG. 3 is a rear view thereof;
FIG. 4 is a left side view thereof;
FIG. 5 is a right side view thereof;
FIG. 6 is a top plan view thereof; and,
FIG. 7 is a bottom view thereof.
The broken lines shown are included for the purpose of illustrating the unclaimed portions of a digital piano and form no part of the claimed design.

(56) **References Cited**
U.S. PATENT DOCUMENTS
D369,175 S * 4/1996 Nakada D17/1
D431,588 S * 10/2000 Ohno D17/1
D483,793 S * 12/2003 Kitazawa D17/1
D508,070 S * 8/2005 Tanaka D17/1
D510,381 S * 10/2005 Okamura et al. D17/1
D552,158 S * 10/2007 Tanaka D17/1
D555,712 S * 11/2007 Sato D17/1

1 Claim, 4 Drawing Sheets



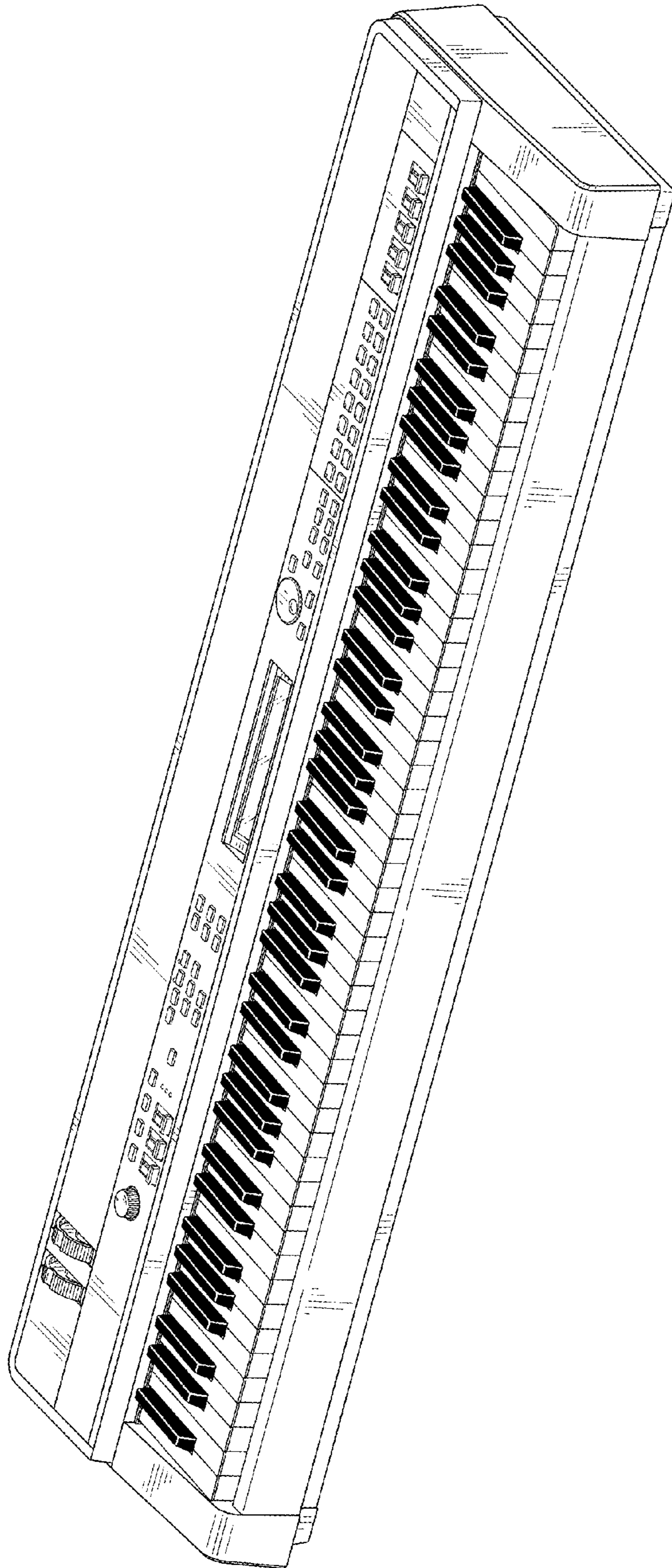


FIG. 1

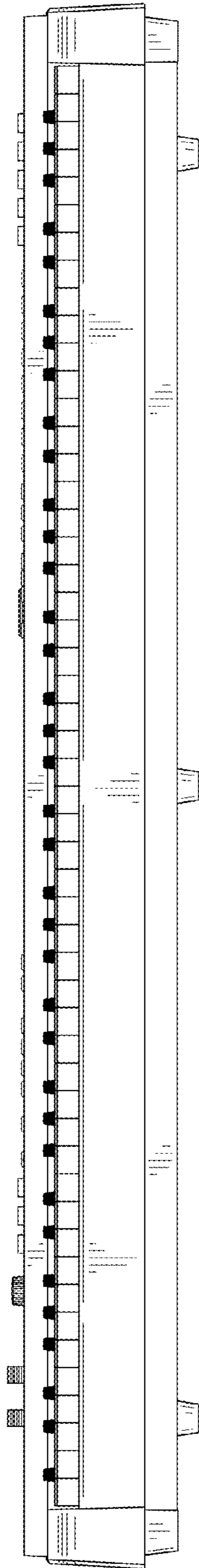


FIG. 2

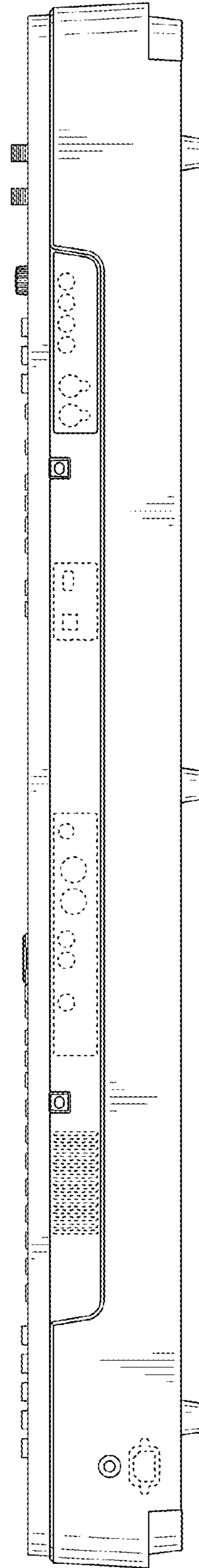


FIG. 3

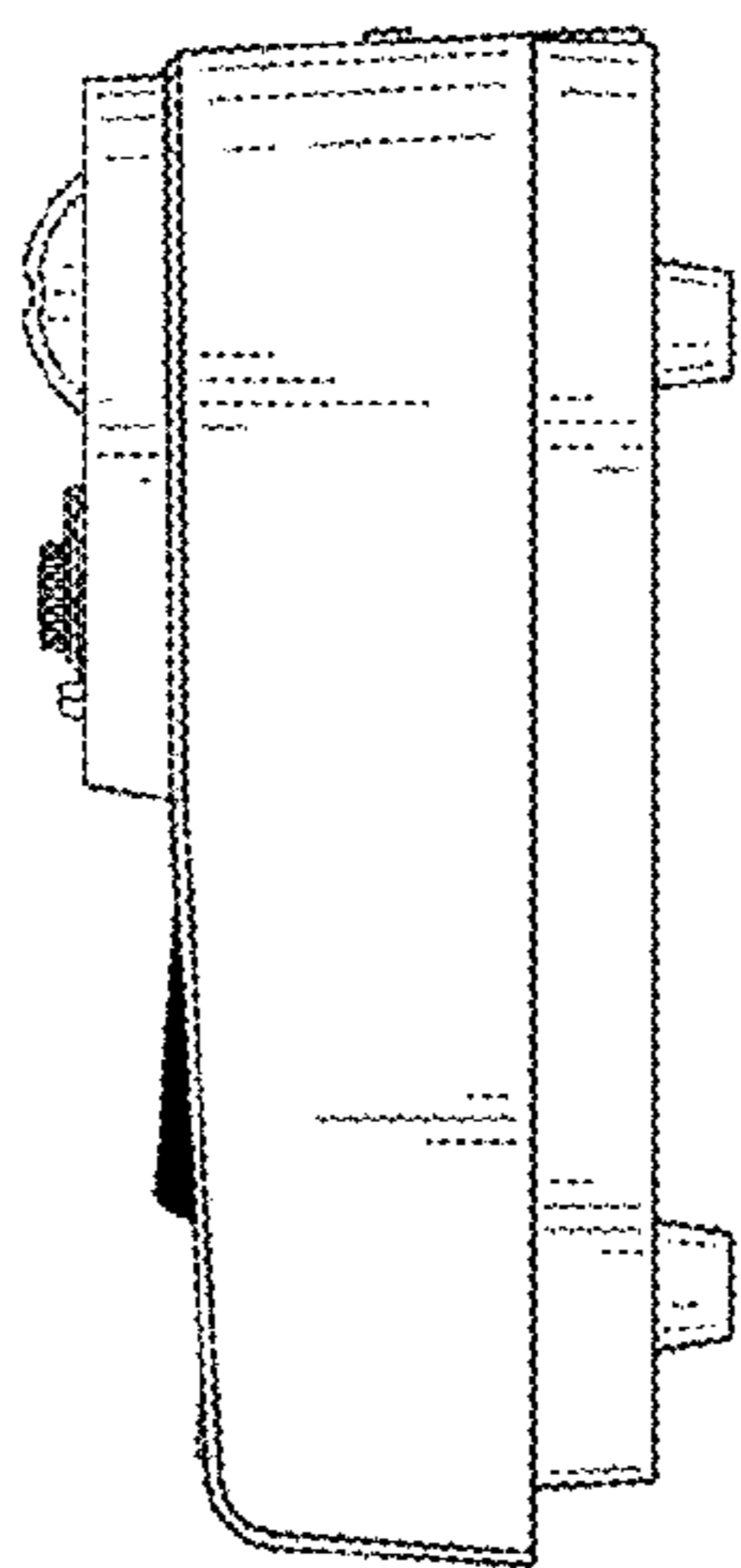


FIG. 5

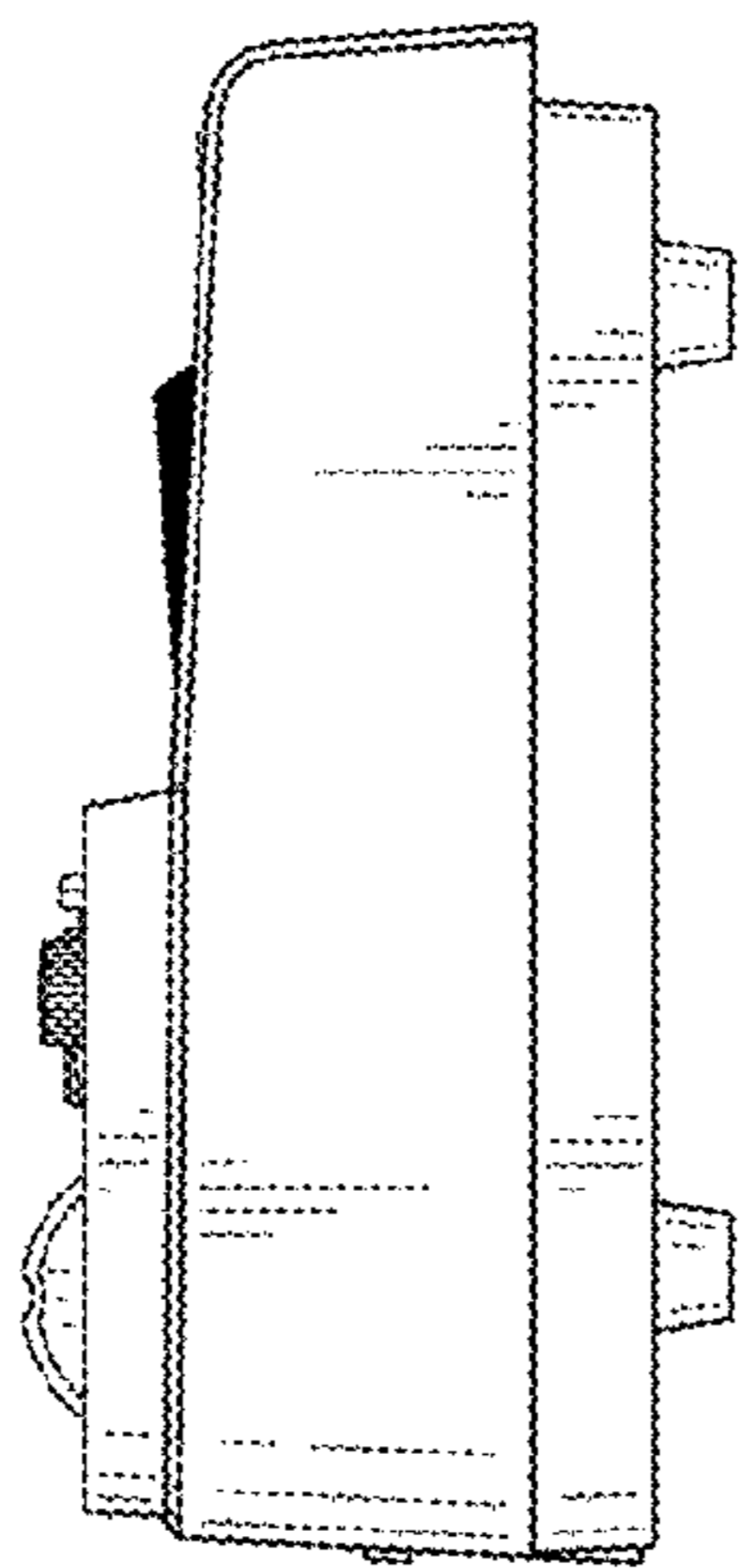


FIG. 4

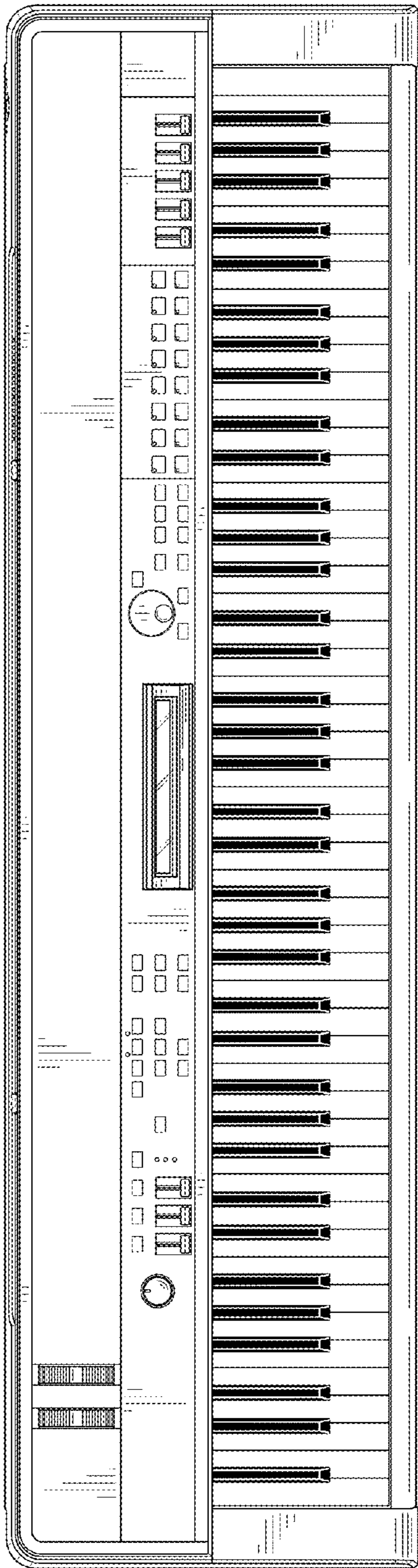


FIG. 6

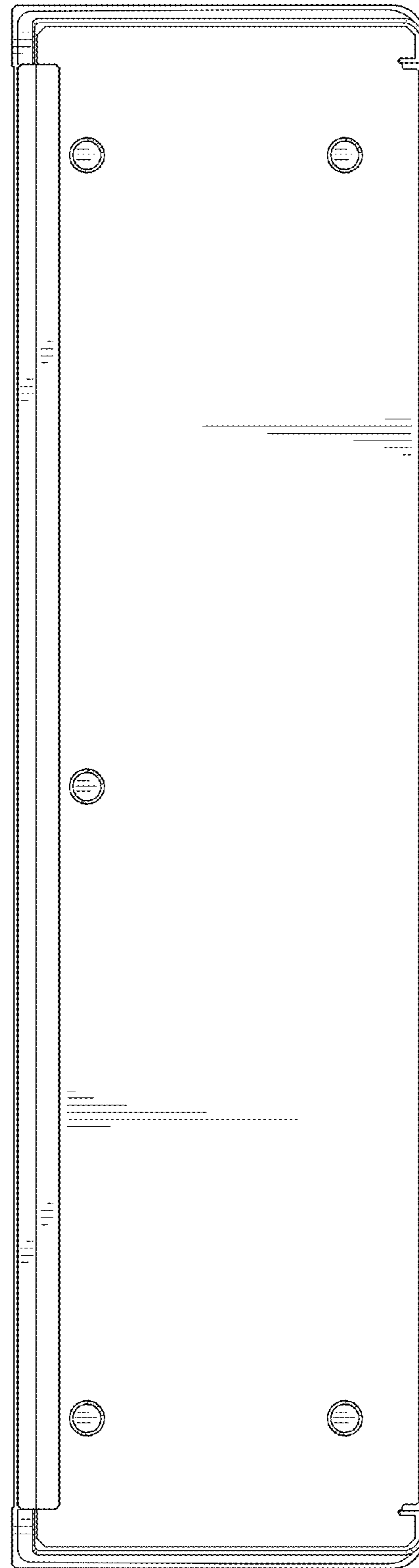


FIG. 7