



US00D718369S

(12) **United States Design Patent**
Janavicius et al.

(10) **Patent No.:** **US D718,369 S**
(45) **Date of Patent:** **** Nov. 25, 2014**

(54) **GOGGLE**

(71) Applicant: **Oakley, Inc.**, Foothill Ranch, CA (US)

(72) Inventors: **Jason Paul Janavicius**, Laguna Niguel, CA (US); **Christopher Goodman**, Corona, CA (US); **Steven G. Oldham**, Corona, CA (US); **Jae Shin**, Irvine, CA (US)

(73) Assignee: **Oakley, Inc.**, Foothill Ranch, CA (US)

(**) Term: **14 Years**

(21) Appl. No.: **29/476,533**

(22) Filed: **Dec. 13, 2013**

(51) **LOC (10) Cl.** **16-06**

(52) **U.S. Cl.**
USPC **D16/312**

(58) **Field of Classification Search**
USPC D16/101, 300–342, 900; D29/109–110;
351/41, 44, 51–52, 62, 158, 92,
351/103–123, 140–153, 63, 59, 45–46;
2/426–432, 447–449, 441, 434–437,
2/13, 15; D21/483, 659–661; D14/372
See application file for complete search history.

(56) **References Cited**

U.S. PATENT DOCUMENTS

3,517,393 A	6/1970	Beauchef
3,638,240 A	2/1972	Militello
D224,483 S	8/1972	Crastin-Billet
3,708,224 A	1/1973	Lindblom
3,718,937 A	3/1973	Smith
D230,439 S	2/1974	Rabuse
D232,983 S	10/1974	Rabuse
3,945,044 A	3/1976	McGee et al.
4,290,673 A	9/1981	Yamamoto
4,428,081 A	1/1984	Smith
4,435,852 A	3/1984	Nesler

4,447,914 A	5/1984	Jannard
4,455,689 A	6/1984	Boyer
4,563,065 A	1/1986	Kreissl
4,716,601 A	1/1988	McNeal
D322,795 S	12/1991	Dianitsch
5,138,723 A	8/1992	Bolle
D358,159 S	5/1995	Lai
5,617,588 A	4/1997	Canavan et al.
D405,102 S	2/1999	Moritz et al.
D428,039 S	7/2000	Thixton
D477,010 S	7/2003	Moritz et al.
D478,610 S	8/2003	Moritz et al.
D478,926 S	8/2003	Moritz et al.
D510,378 S	10/2005	Dondero et al.
D519,147 S	4/2006	Moritz et al.
D537,100 S	2/2007	Moritz et al.
D551,278 S	9/2007	Moritz et al.
D552,662 S *	10/2007	Woxing D16/312
D577,054 S	9/2008	Moritz
D578,562 S	10/2008	Moritz
D599,394 S	9/2009	Dondero et al.

(Continued)

Primary Examiner — Raphael Barkai

(74) *Attorney, Agent, or Firm* — Knobbe Martens Olson & Bear, LLP

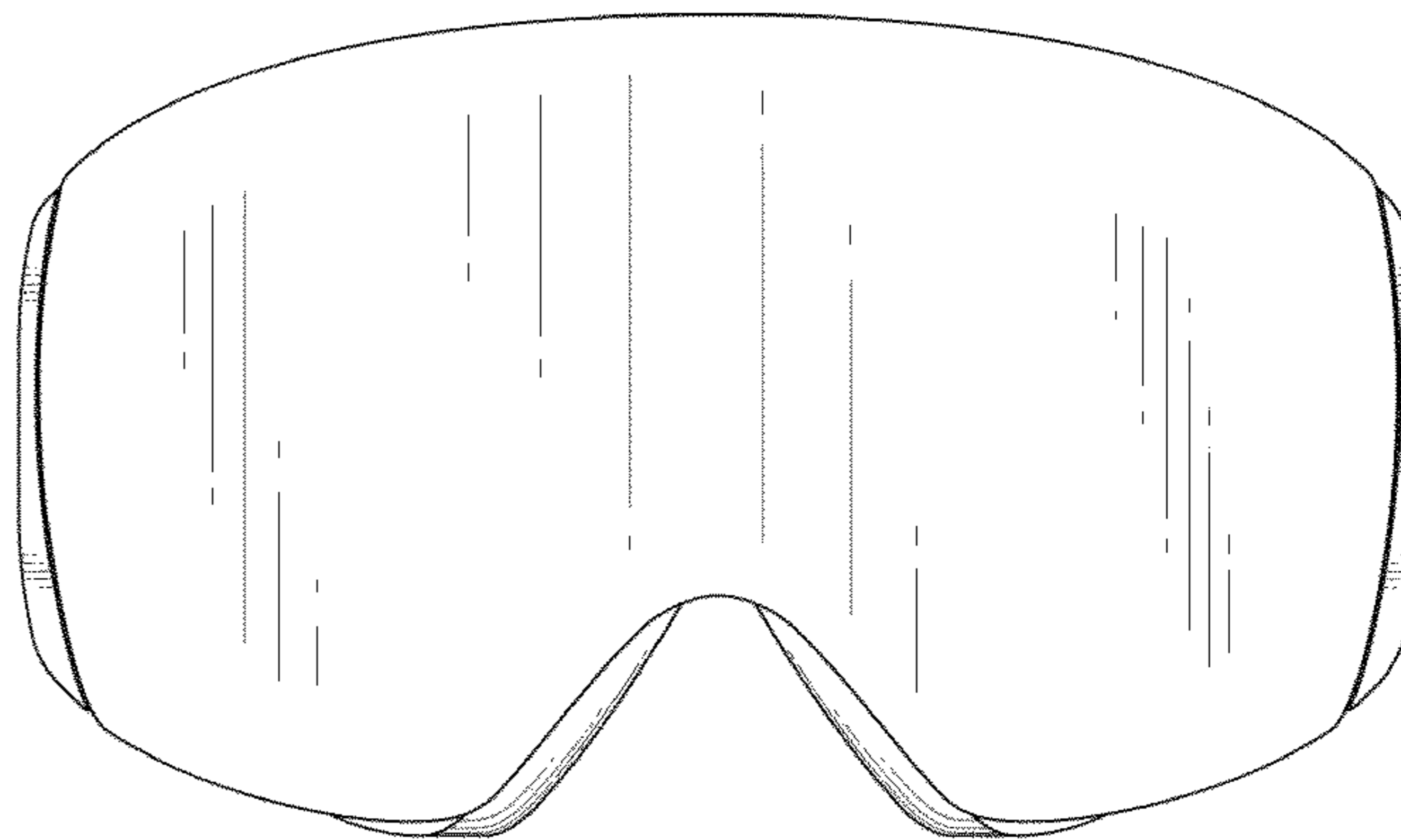
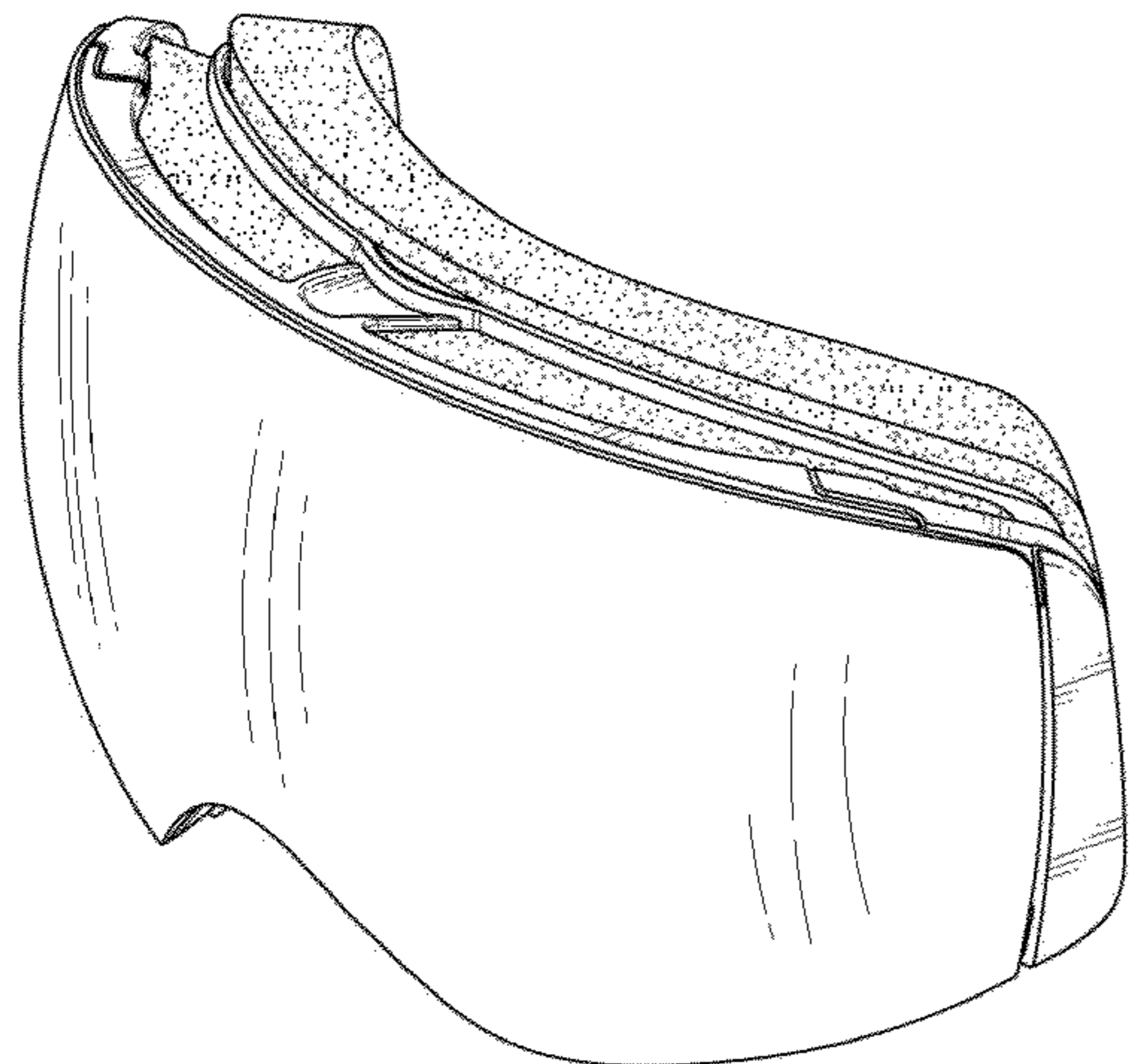
(57) **CLAIM**

The ornamental design for a goggle, as shown and described.

DESCRIPTION

FIG. 1 is a front perspective view of a goggle showing our new design;
FIG. 2 is a front elevational view thereof;
FIG. 3 is a rear elevational view thereof;
FIG. 4 is a left side elevational view thereof, the right side elevational view being a mirror image thereof;
FIG. 5 is a top plan view thereof; and,
FIG. 6 is a bottom plan view thereof.
The broken lines in the Figures show portions of the goggle which form no part of the claimed design.

1 Claim, 6 Drawing Sheets



(56)

References Cited

U.S. PATENT DOCUMENTS

D616,483 S 5/2010 Moritz
D616,914 S 6/2010 Moritz
D629,034 S * 12/2010 McNeal et al. D16/312
D629,036 S 12/2010 Yee et al.
D640,724 S 6/2011 Goodman et al.
D649,178 S 11/2011 Moritz et al.
D649,577 S 11/2011 Goodman et al.

D653,686 S 2/2012 Tobia
D653,695 S 2/2012 Tobia
D657,812 S * 4/2012 Li D16/312
D678,932 S 3/2013 Moritz et al.
D680,576 S * 4/2013 Chen D16/312
D687,479 S 8/2013 Moritz et al.
D687,480 S 8/2013 Castro
D687,881 S 8/2013 Ginther et al.
2012/0324638 A1 12/2012 Tobia

* cited by examiner

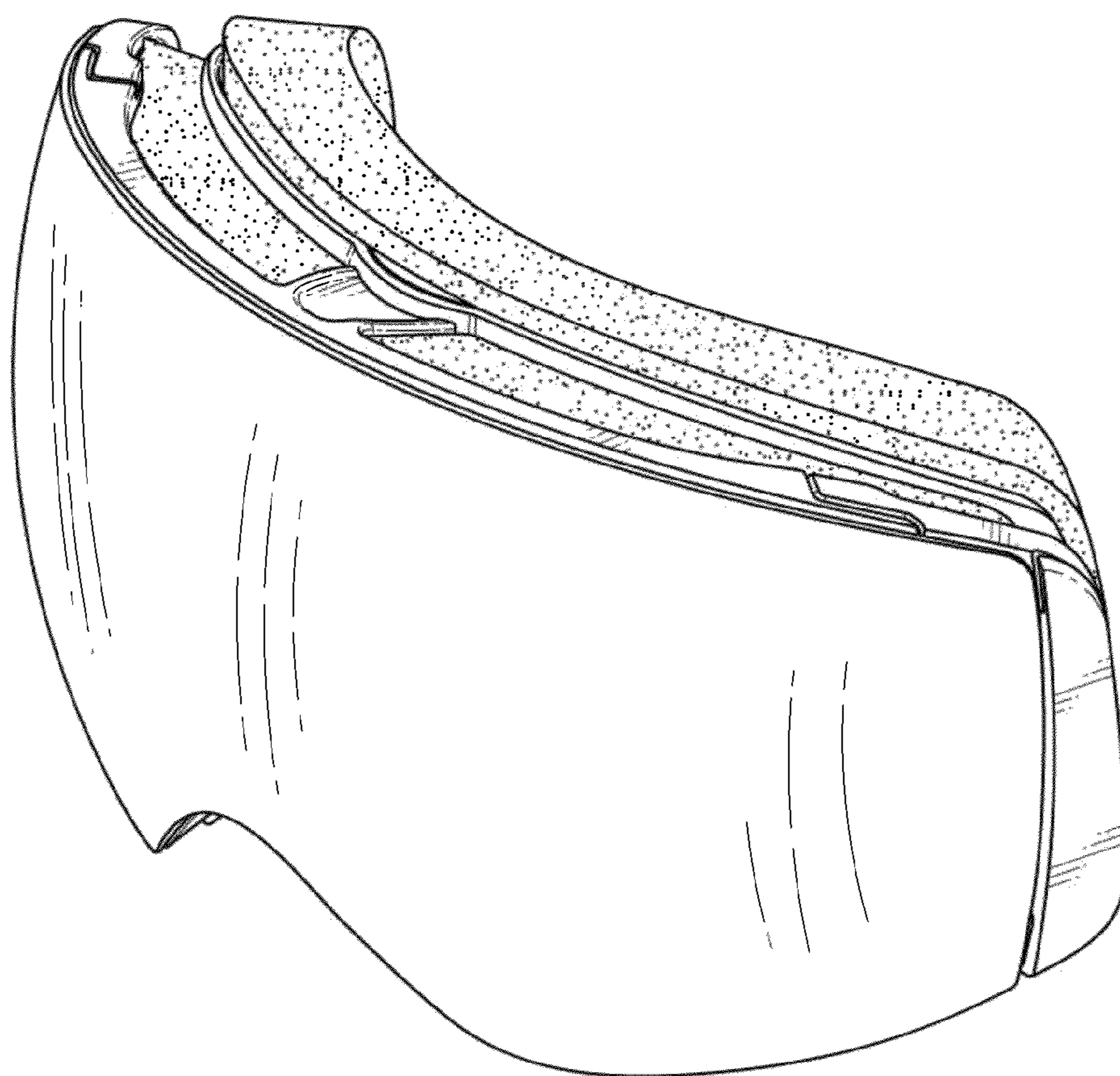


FIG. 1

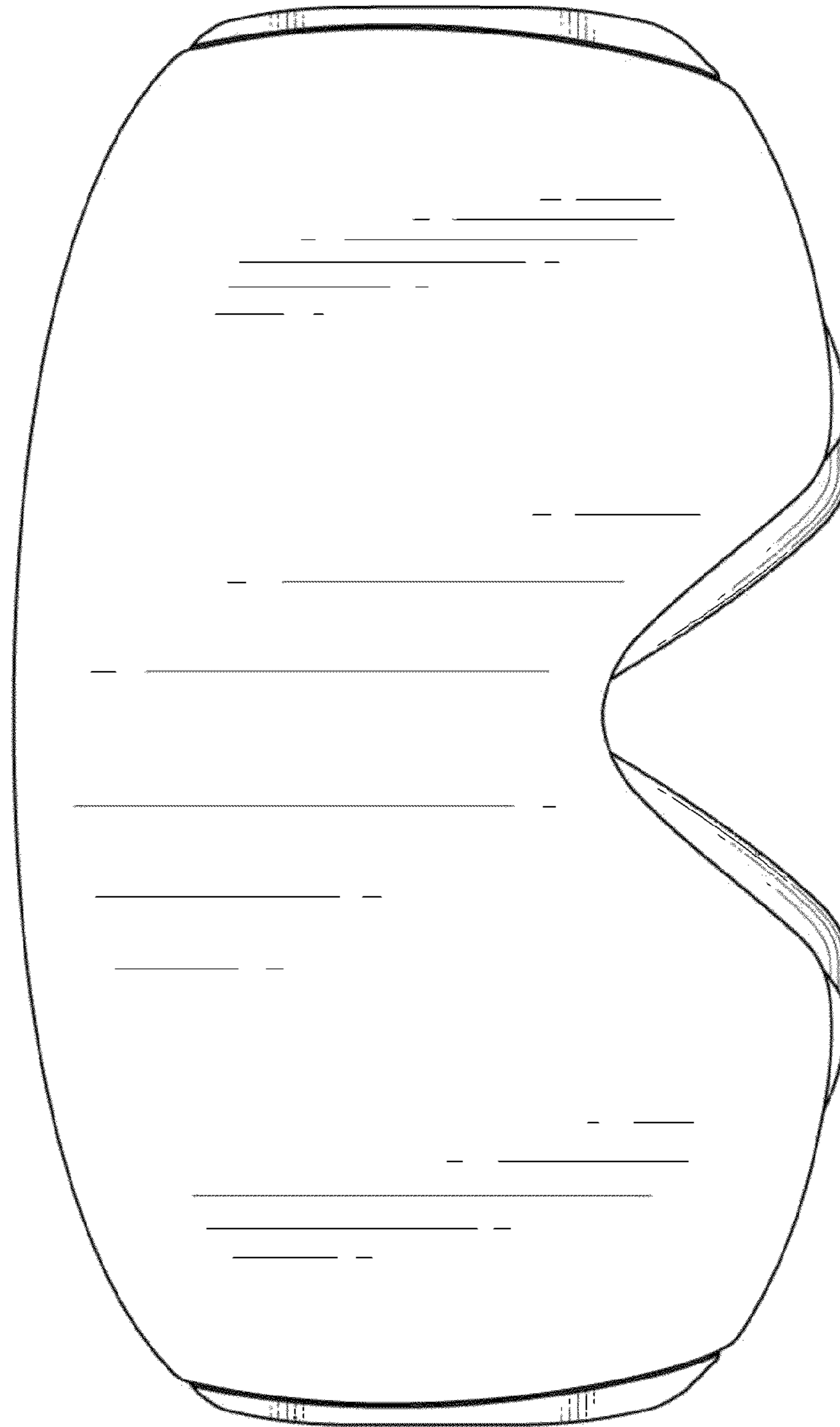


FIG. 2

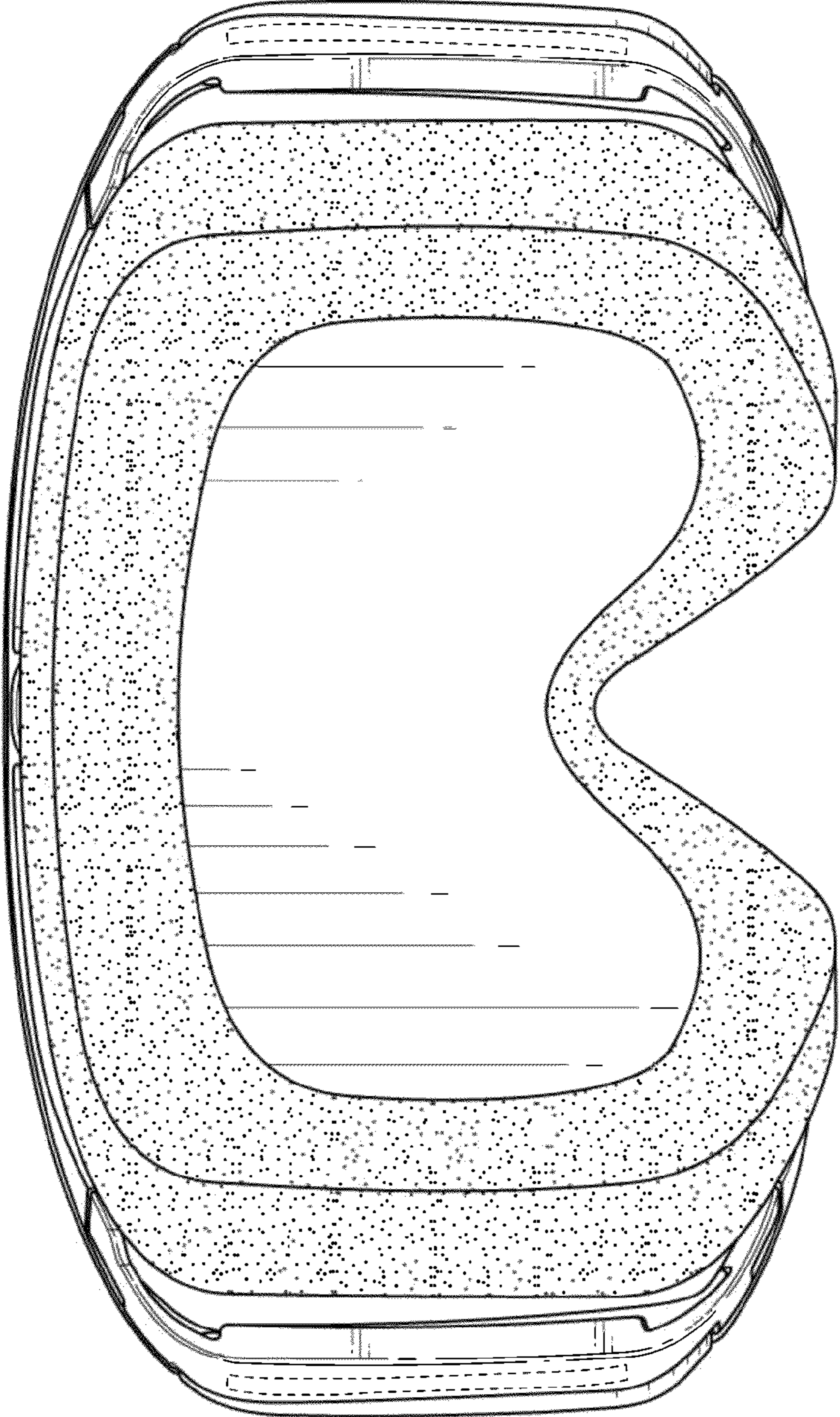


FIG. 3

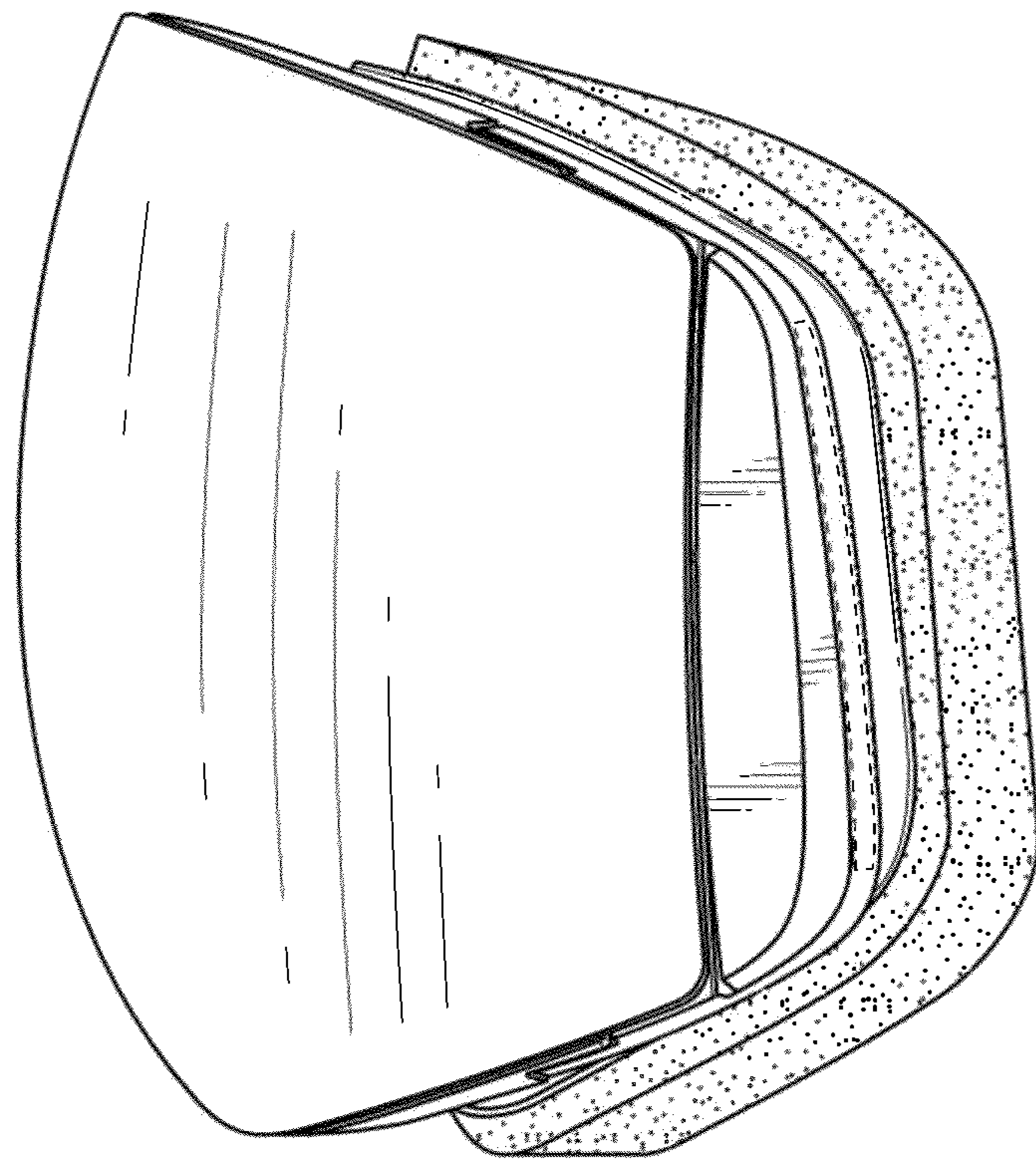


FIG. 4

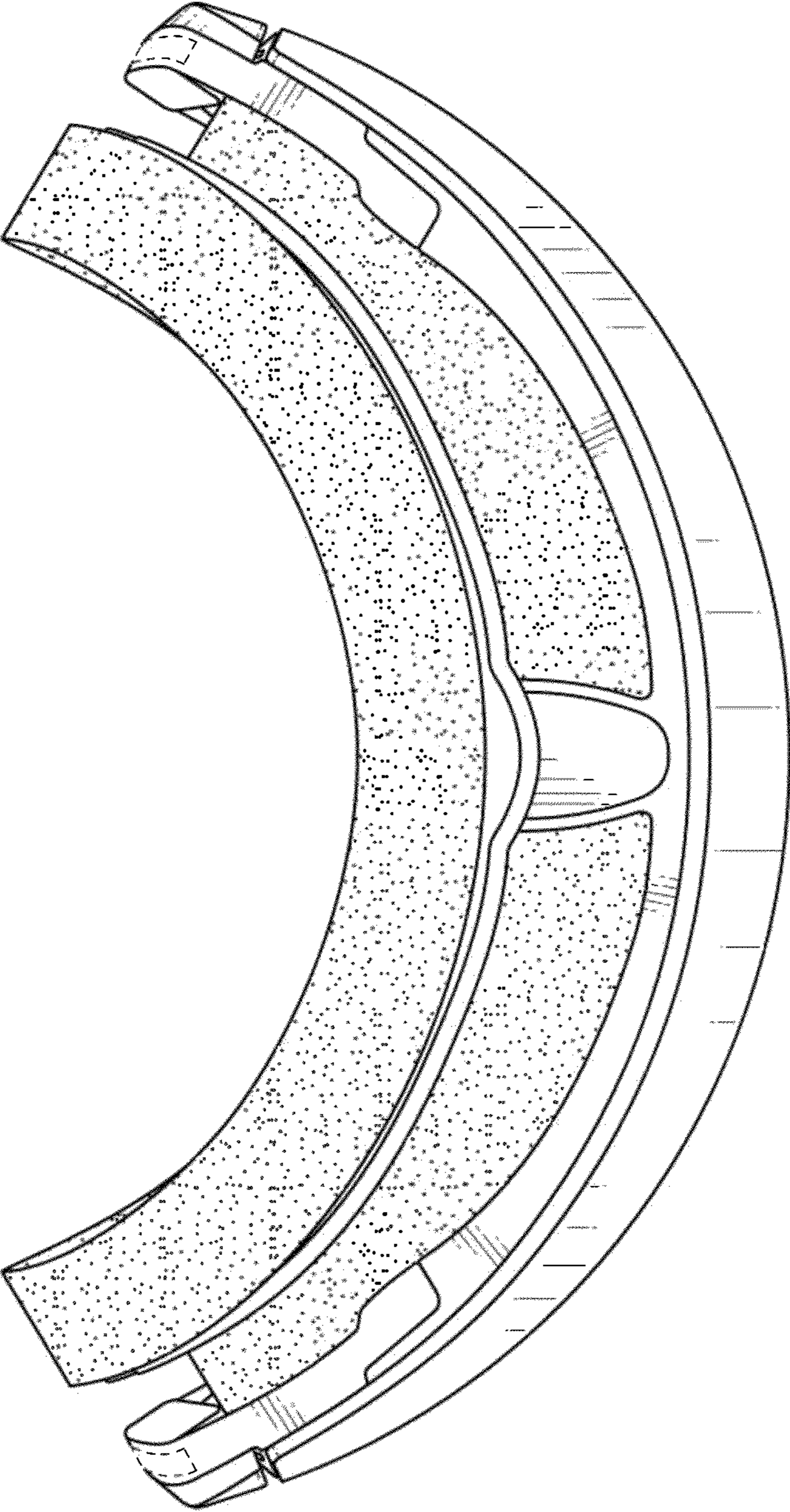


FIG. 5

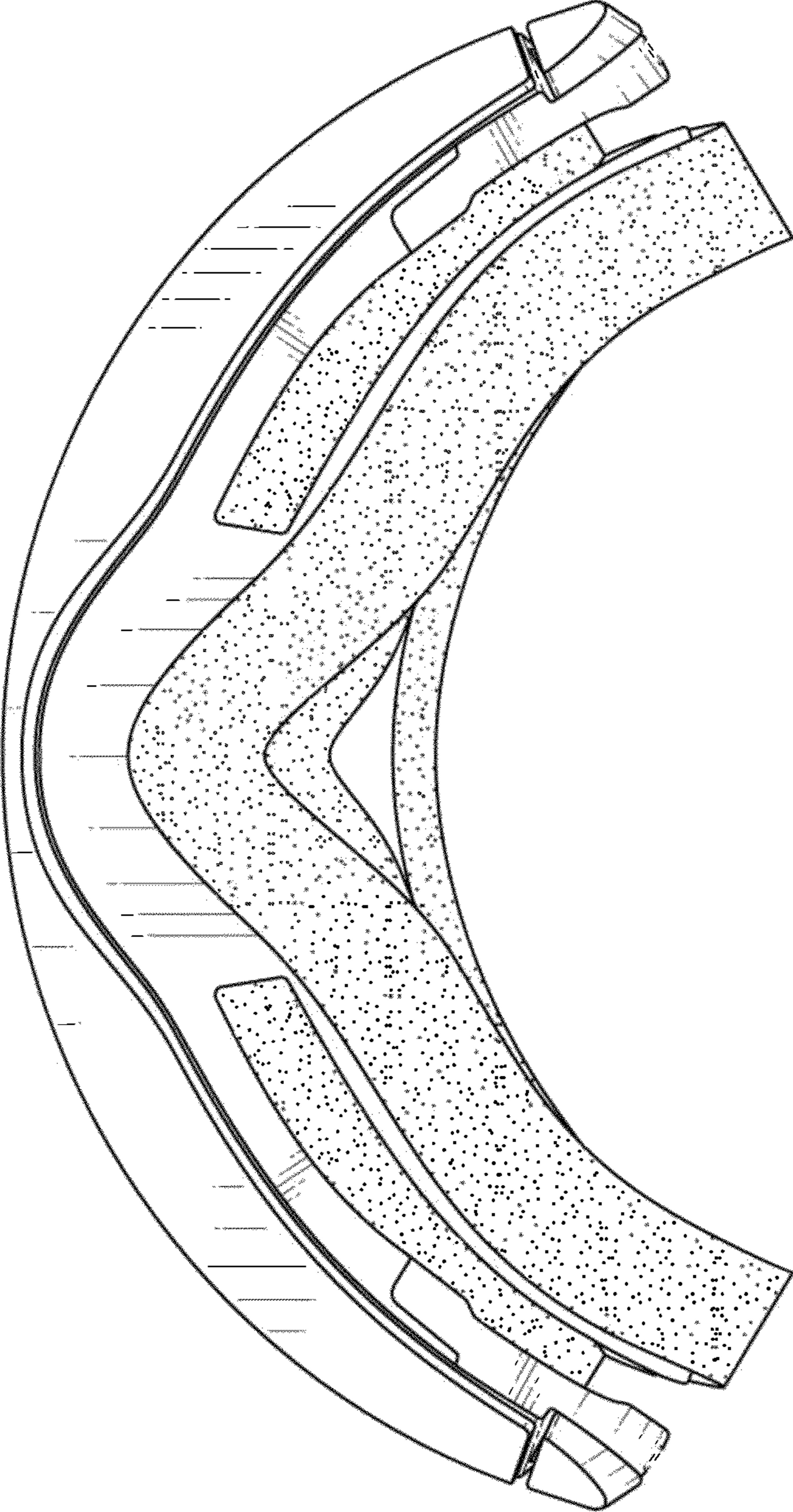


FIG. 6

UNITED STATES PATENT AND TRADEMARK OFFICE
CERTIFICATE OF CORRECTION

PATENT NO. : D718,369 S
APPLICATION NO. : 29/476533
DATED : November 25, 2014
INVENTOR(S) : Jason Paul Janavicius

Page 1 of 1

It is certified that error appears in the above-identified patent and that said Letters Patent is hereby corrected as shown below:

On the Title Page

In column 1 (page 1, item 56) at line 5, Under U.S. Patent Documents, change "Crastin" to --Crestin--.

Signed and Sealed this
Twenty-third Day of June, 2015



Michelle K. Lee
Director of the United States Patent and Trademark Office