



US00D718367S

(12) **United States Design Patent**
Mehin et al.

(10) **Patent No.:** **US D718,367 S**

(45) **Date of Patent:** **** Nov. 25, 2014**

(54) **GLASSES WITH HEADS UP DISPLAY**

(56) **References Cited**

(71) Applicant: **Recon Instruments Inc.**, Vancouver (CA)

U.S. PATENT DOCUMENTS

(72) Inventors: **Afshin Frederick Mehin**, North Vancouver (CA); **Hamid Abdollahi**, Vancouver (CA); **Raymond C. M. Leung**, Vancouver (CA)

D667,483 S *	9/2012	Krsmanovic	D16/309
D680,152 S *	4/2013	Olsson et al.	D16/309
D685,019 S *	6/2013	Li	D16/309
D697,130 S *	1/2014	Lovgren	D16/312
D701,557 S *	3/2014	Lee et al.	D16/309

* cited by examiner

(73) Assignee: **Recon Instruments Inc.**, Vancouver (CA)

Primary Examiner — Raphael Barkai

(74) *Attorney, Agent, or Firm* — Richard A. Johnson; Borden Ladner Gervais LLP

(**) Term: **14 Years**

(57) **CLAIM**

(21) Appl. No.: **29/486,922**

The ornamental design for glasses with heads up display, as shown and described.

(22) Filed: **Apr. 3, 2014**

DESCRIPTION

(51) **LOC (10) Cl.** **14-03**

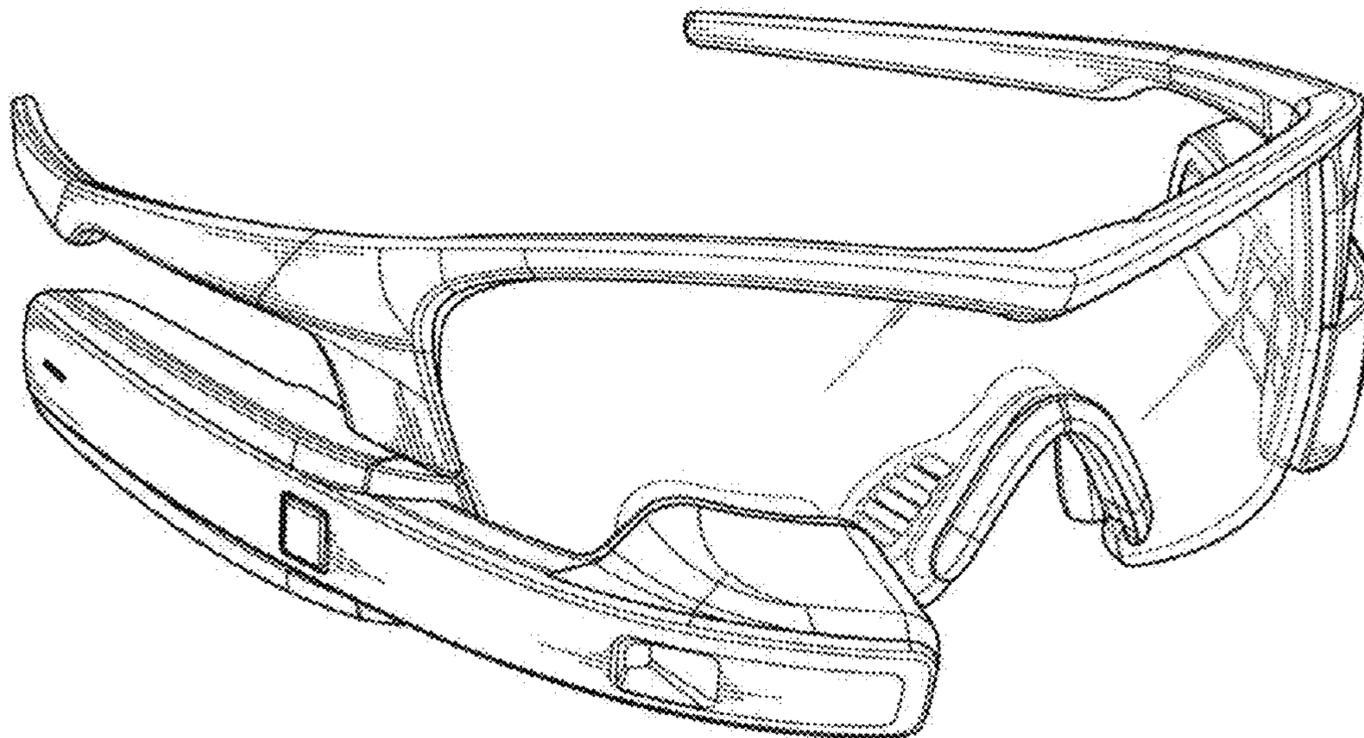
(52) **U.S. Cl.**
USPC **D16/309; D16/300**

(58) **Field of Classification Search**
USPC D14/125–134, 239, 371, 136, 374–377, D14/440, 450, 448, 336, 342, 159, 372; 312/7.2; D16/101, 300–342; 351/41, 351/44, 158; D10/15, 26; 446/484, 175, 446/356; D6/477, 479, 300

FIG. 1 is a perspective view of the glasses with heads up display showing the design;
FIG. 2 is a top view thereof;
FIG. 3 is a front view thereof;
FIG. 4 is a rear view thereof;
FIG. 5 is a bottom view thereof;
FIG. 6 is a left side view thereof; and,
FIG. 7 is a right side view thereof.

See application file for complete search history.

1 Claim, 4 Drawing Sheets



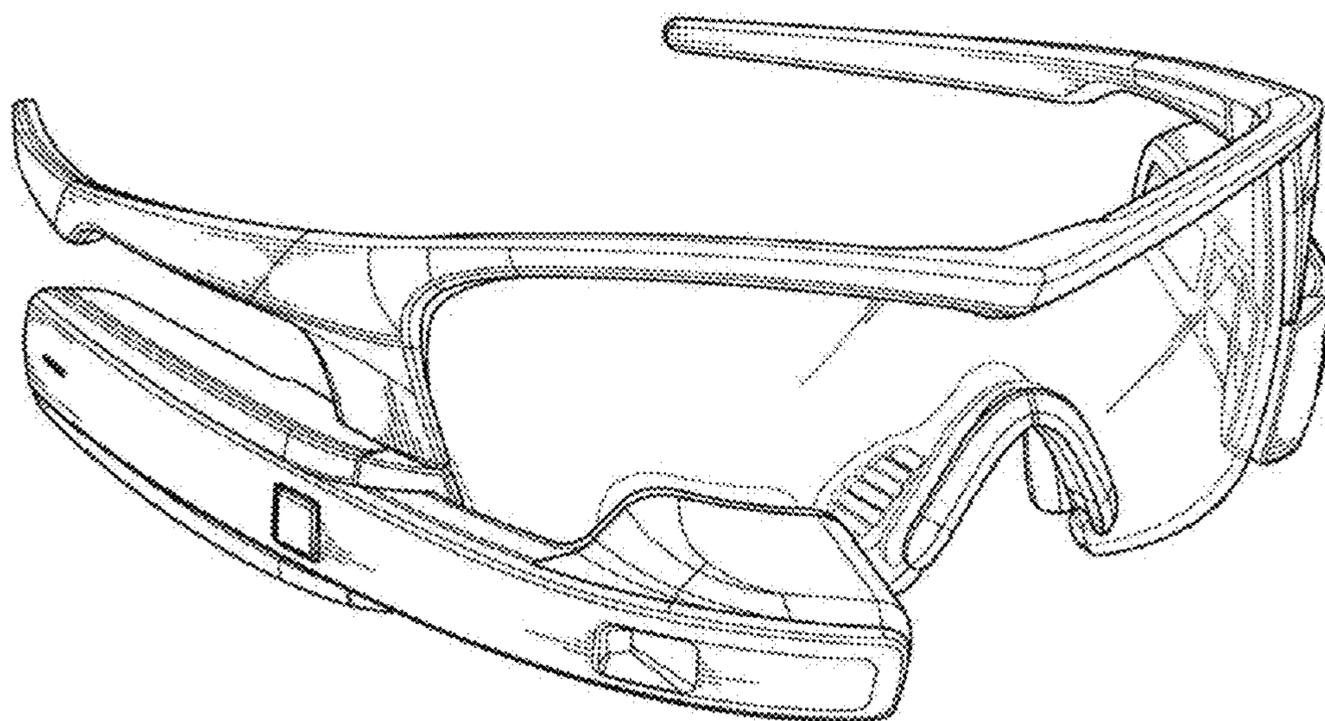


FIG. 1

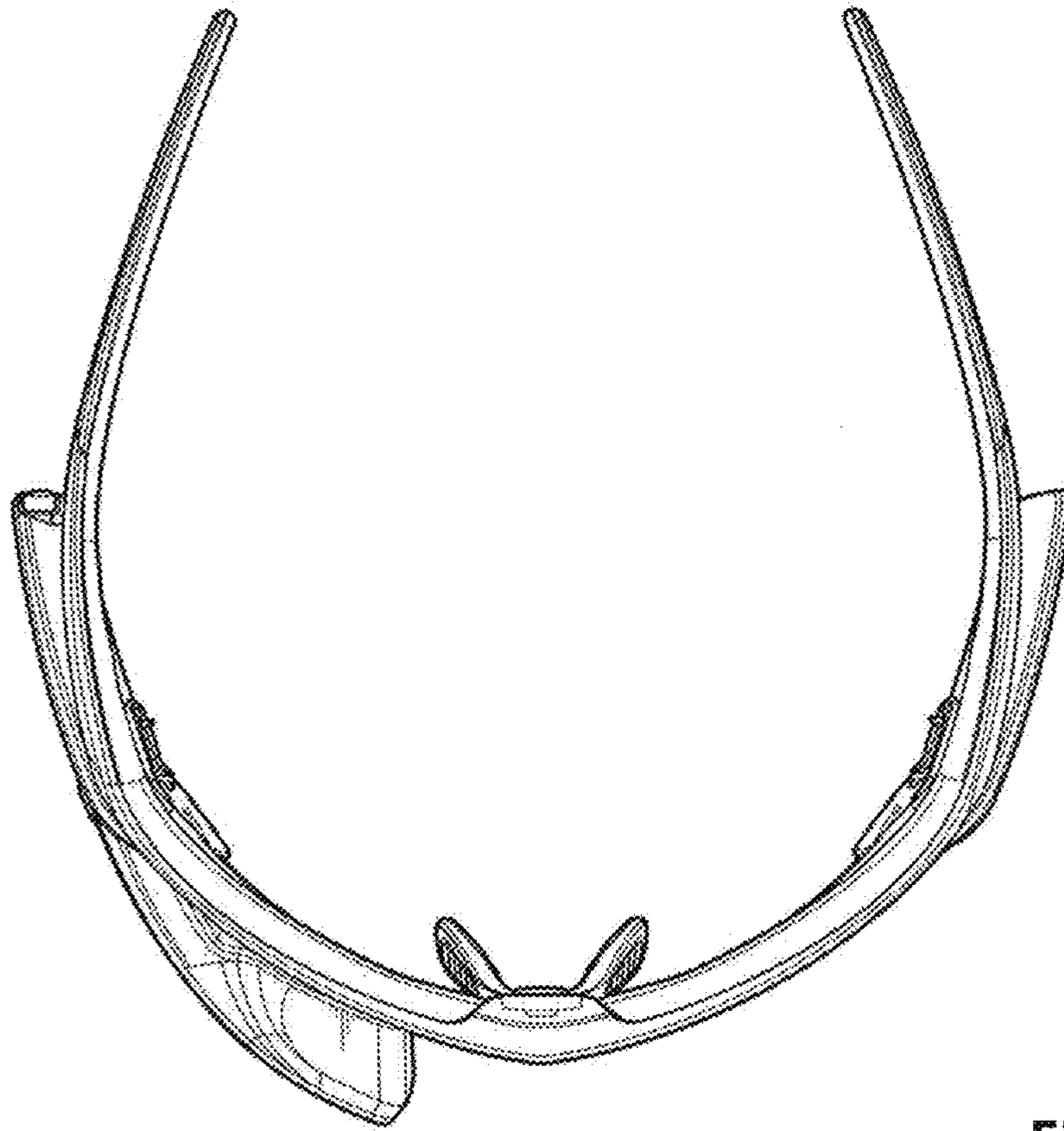


FIG. 2

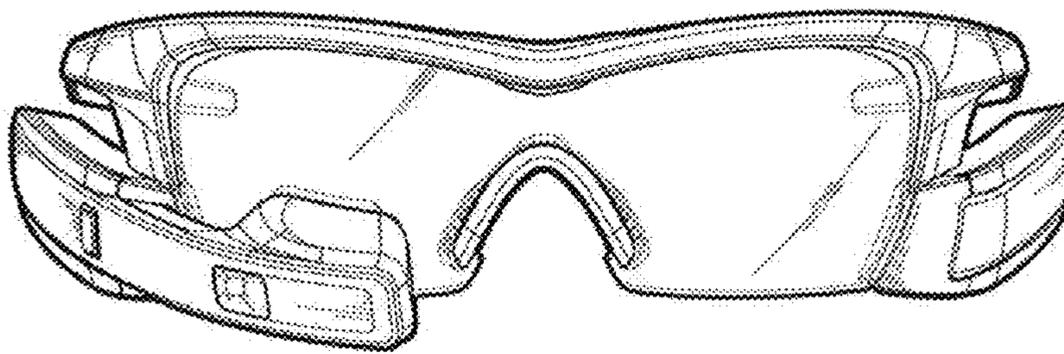


FIG. 3

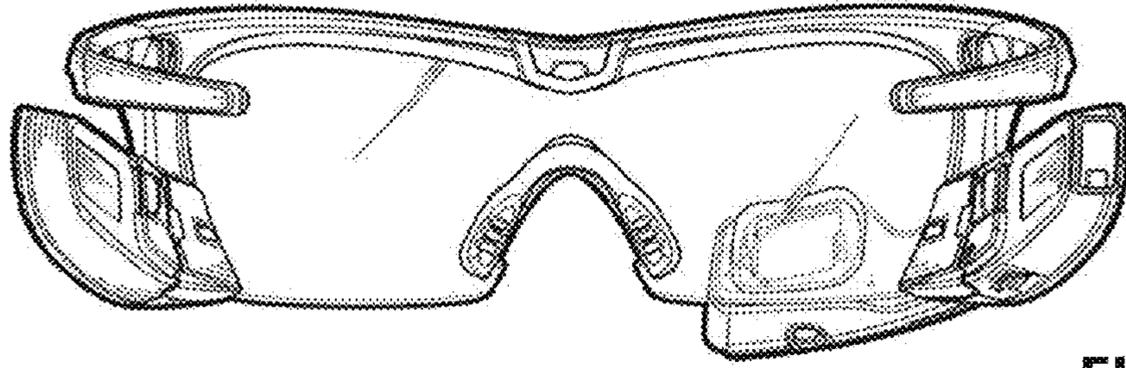


FIG. 4

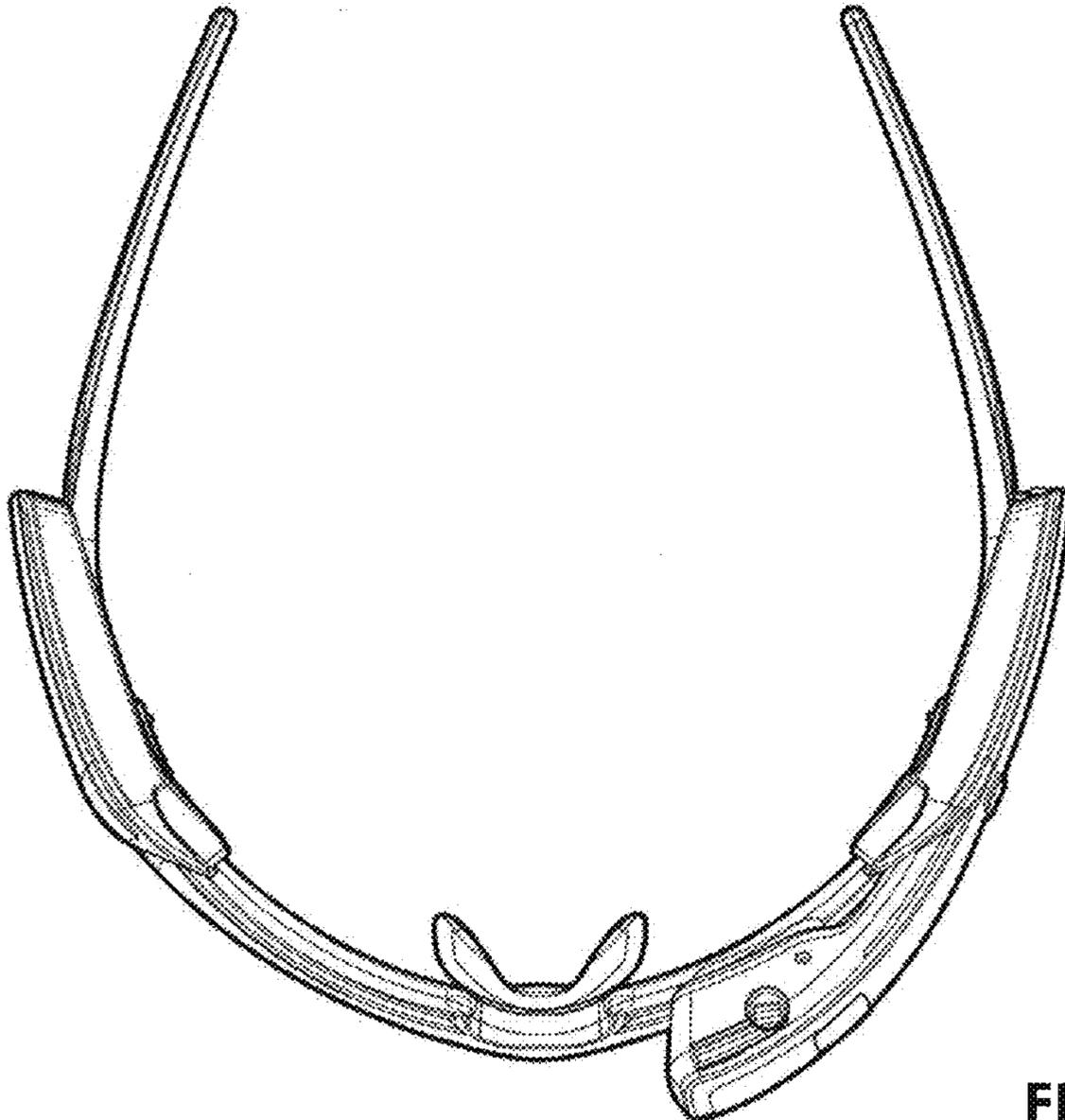


FIG. 5

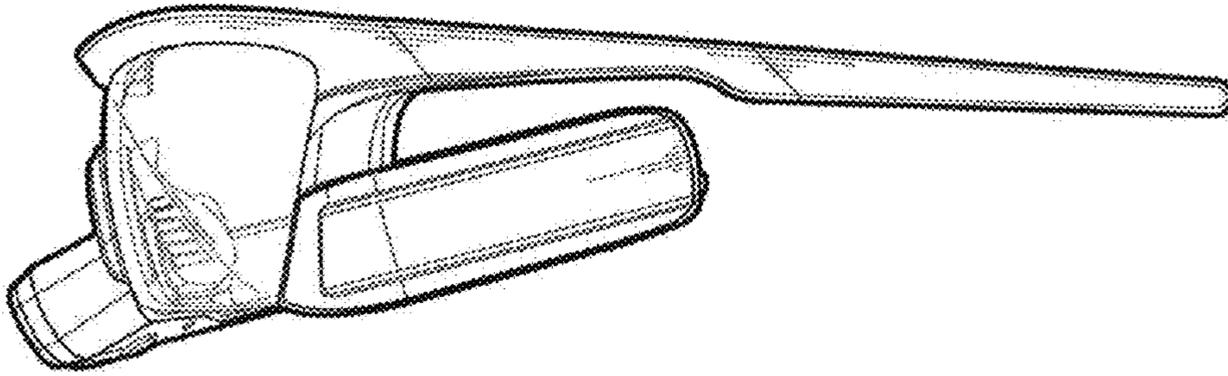


FIG. 6

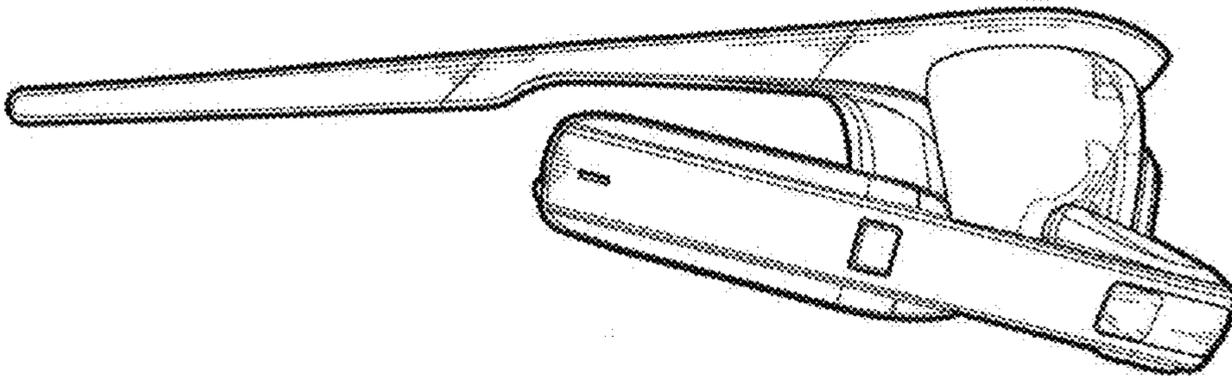


FIG. 7