



US00D718365S

(12) **United States Design Patent**
Kim et al.

(10) **Patent No.:** **US D718,365 S**
(45) **Date of Patent:** **** Nov. 25, 2014**

(54) **CAMERA TRIPOD**

(71) Applicant: **Samsung Electronics Co., Ltd.**,
Suwon-si, Gyeonggi-do (KR)

(72) Inventors: **Min-Geun Kim**, Goyang-Si (KR);
Haruo Hayashi, Seoul (KR)

(73) Assignee: **Samsung Electronics Co., Ltd.**,
Suwon-si (KR)

(**) Term: **14 Years**

(21) Appl. No.: **29/446,918**

(22) Filed: **Feb. 28, 2013**

(30) **Foreign Application Priority Data**

Aug. 28, 2012 (KR) 30-2012-0041287

(51) **LOC (10) Cl.** **16-05**

(52) **U.S. Cl.**
USPC **D16/244**

(58) **Field of Classification Search**

USPC D6/312, 701; D16/237, 240, 242, 243,
D16/244, 245, 250; 248/168, 169, 170, 171,
248/178.1, 183.1, 183.2, 185.1, 187.1,
248/188.5, 188.6, 188.7, 188.9, 439, 440.1,
248/441.1, 448, 454, 456, 457, 458, 460,
248/569, 600; 352/243; 396/419, 428

See application file for complete search history.

(56) **References Cited**

U.S. PATENT DOCUMENTS

3,300,165 A * 1/1967 O’Kane 248/168

D532,436 S * 11/2006 Kruse et al. D16/244
D533,578 S * 12/2006 Oka D16/244
D643,024 S * 8/2011 Goodman et al. D14/227

* cited by examiner

Primary Examiner — Susan Bennett Hattan

Assistant Examiner — Leanne Was

(74) *Attorney, Agent, or Firm* — NSIP Law

(57) **CLAIM**

We claim the ornamental design for a camera tripod, as shown and described.

DESCRIPTION

FIG. 1 is a front perspective view of a camera tripod showing our new design;

FIG. 2 is a front view thereof;

FIG. 3 is a rear view thereof;

FIG. 4 is a left-side view thereof;

FIG. 5 is a right-side view thereof;

FIG. 6 is a top plan view thereof;

FIG. 7 is a bottom plan view thereof;

FIG. 8 is a front perspective view of a camera tripod with its legs in an open position;

FIG. 9 is a front view of the camera tripod of FIG. 8;

FIG. 10 is a rear view of the camera tripod of FIG. 8;

FIG. 11 is a left-side view of the camera tripod of FIG. 8;

FIG. 12 is a right-side view of the camera tripod of FIG. 8;

FIG. 13 is a top plan view of the camera tripod of FIG. 8; and,

FIG. 14 is a bottom plan view of the camera tripod of FIG. 8.

The broken lines shown in FIG. 9 are for environmental purposes only and form no part of the claimed design.

1 Claim, 11 Drawing Sheets

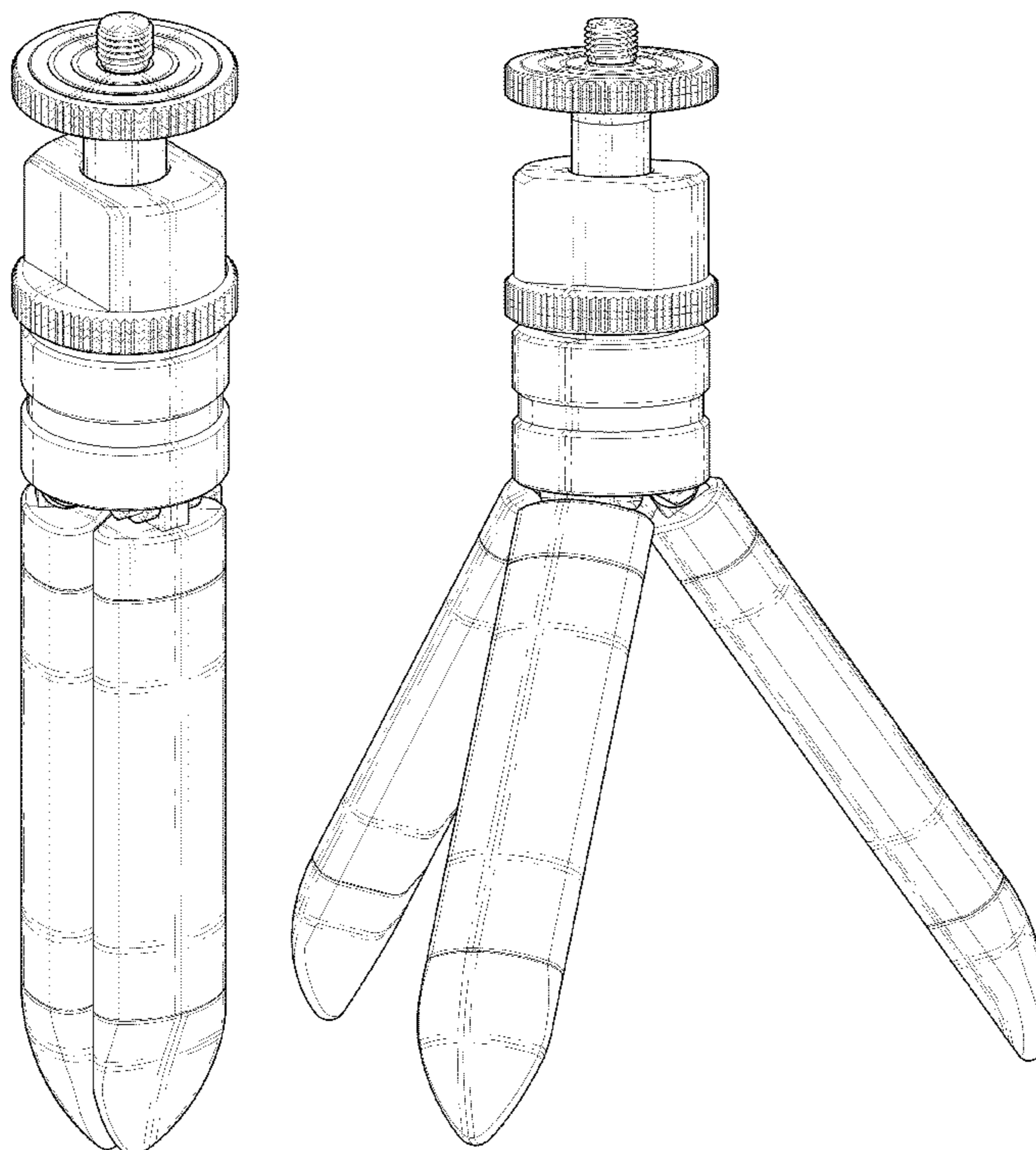


FIG. 1

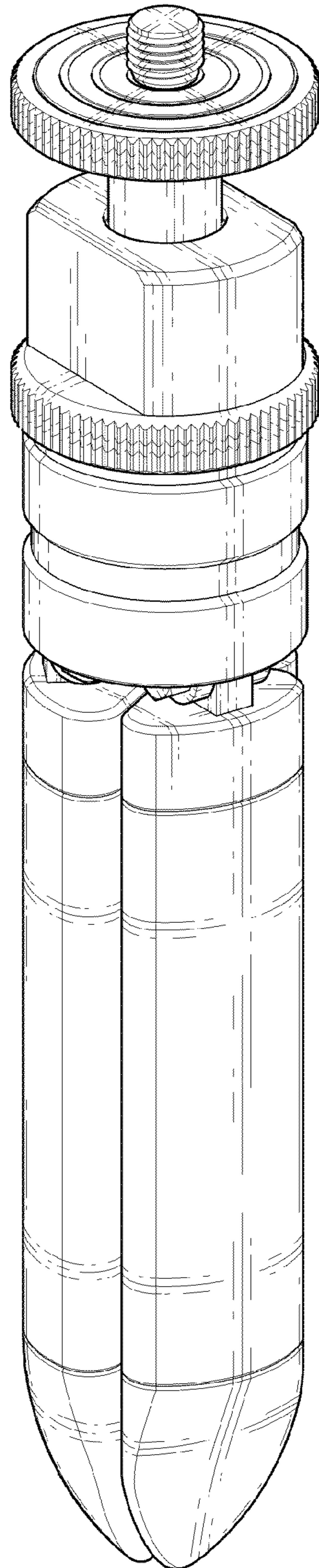


FIG. 2

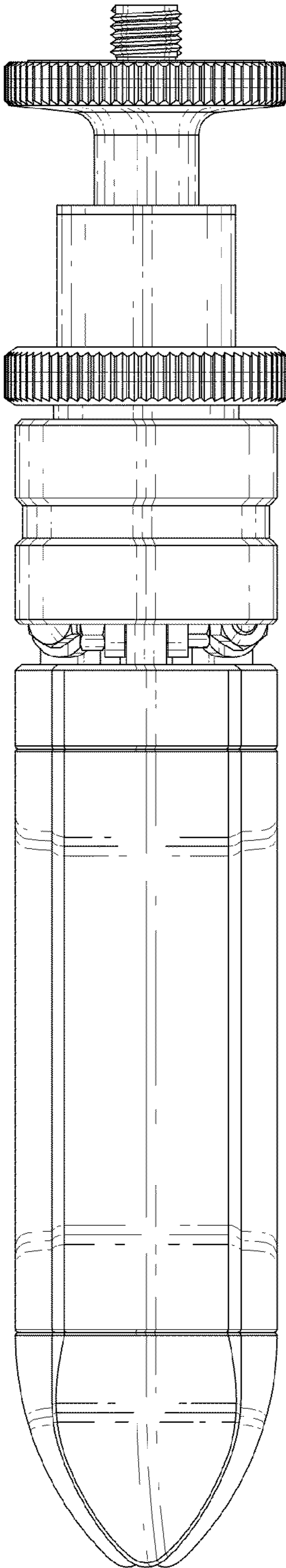


FIG. 3

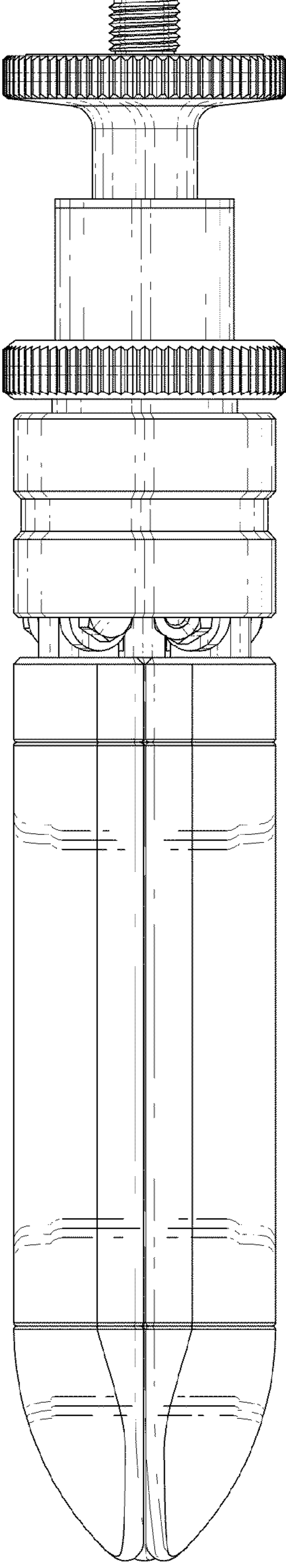


FIG. 4

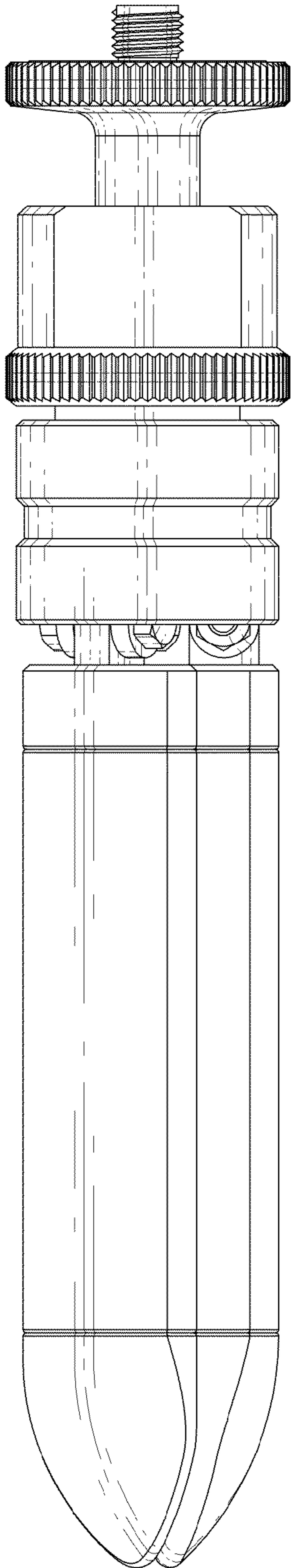


FIG. 5

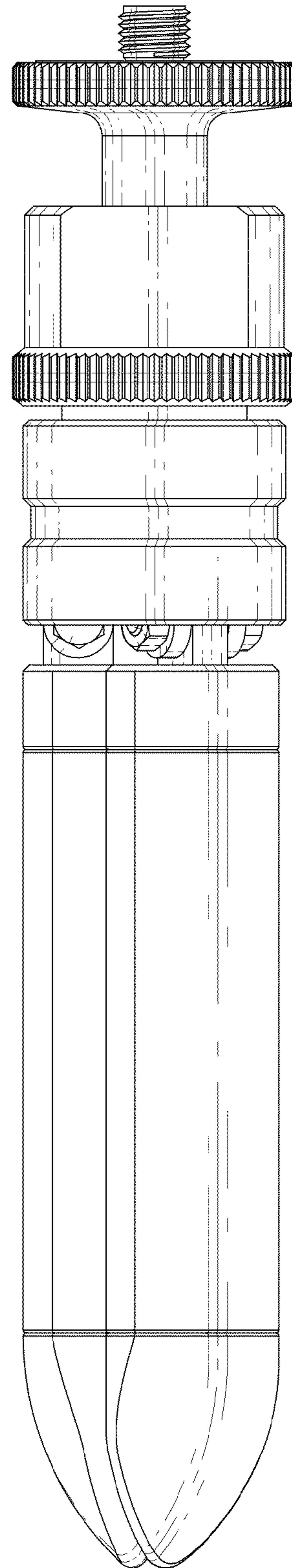


FIG. 6

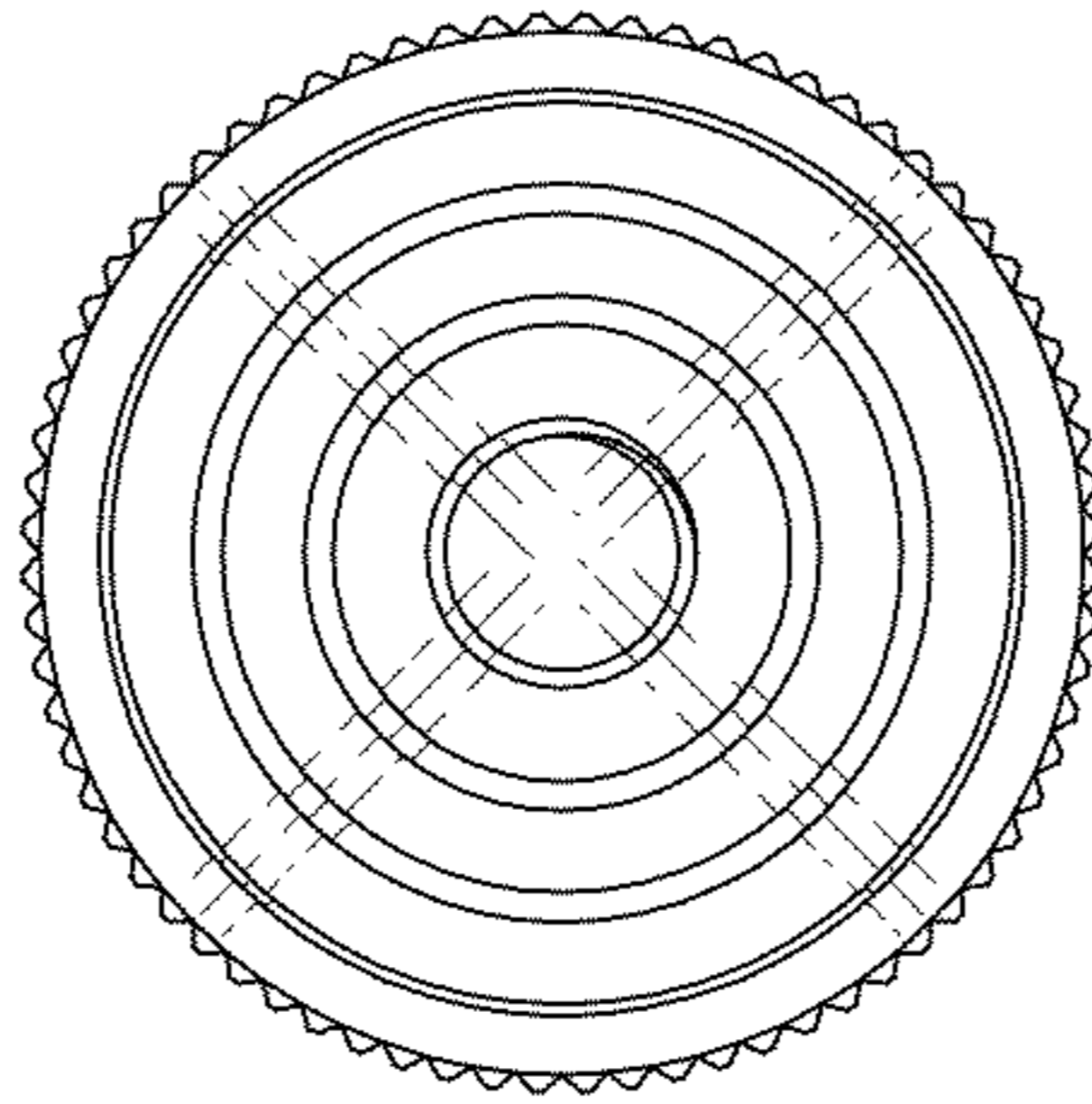


FIG. 7

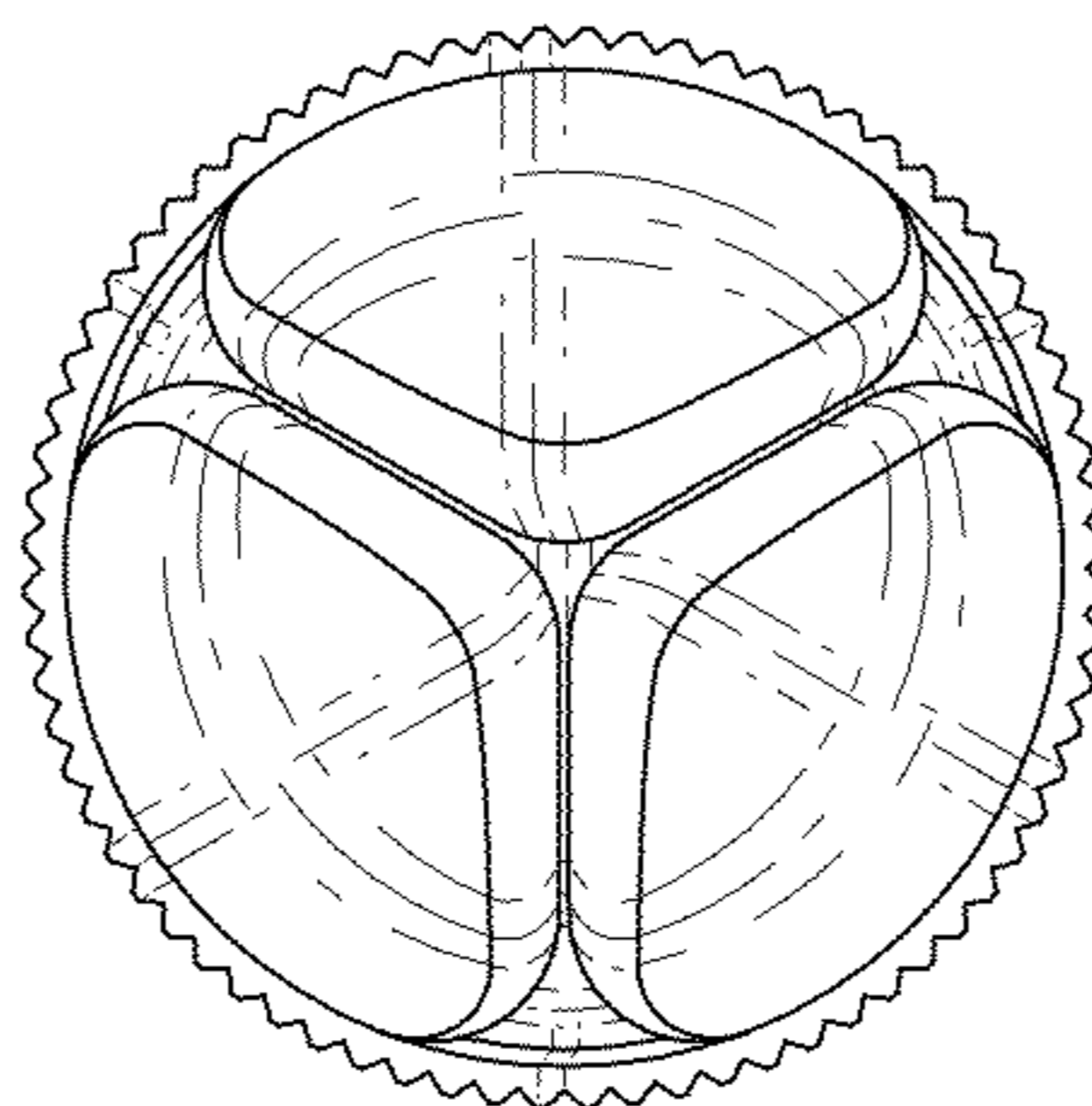


FIG. 8

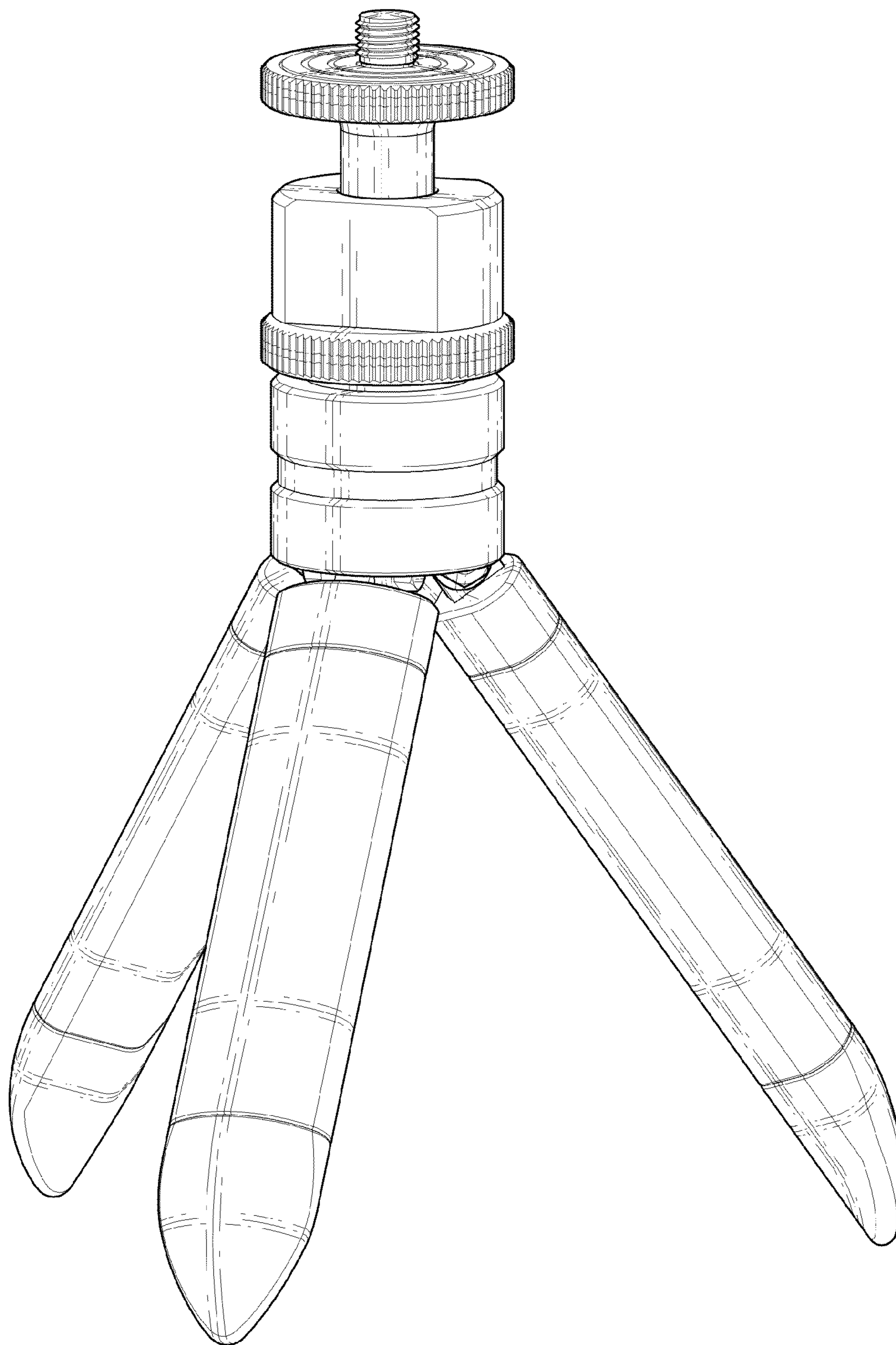


FIG. 9

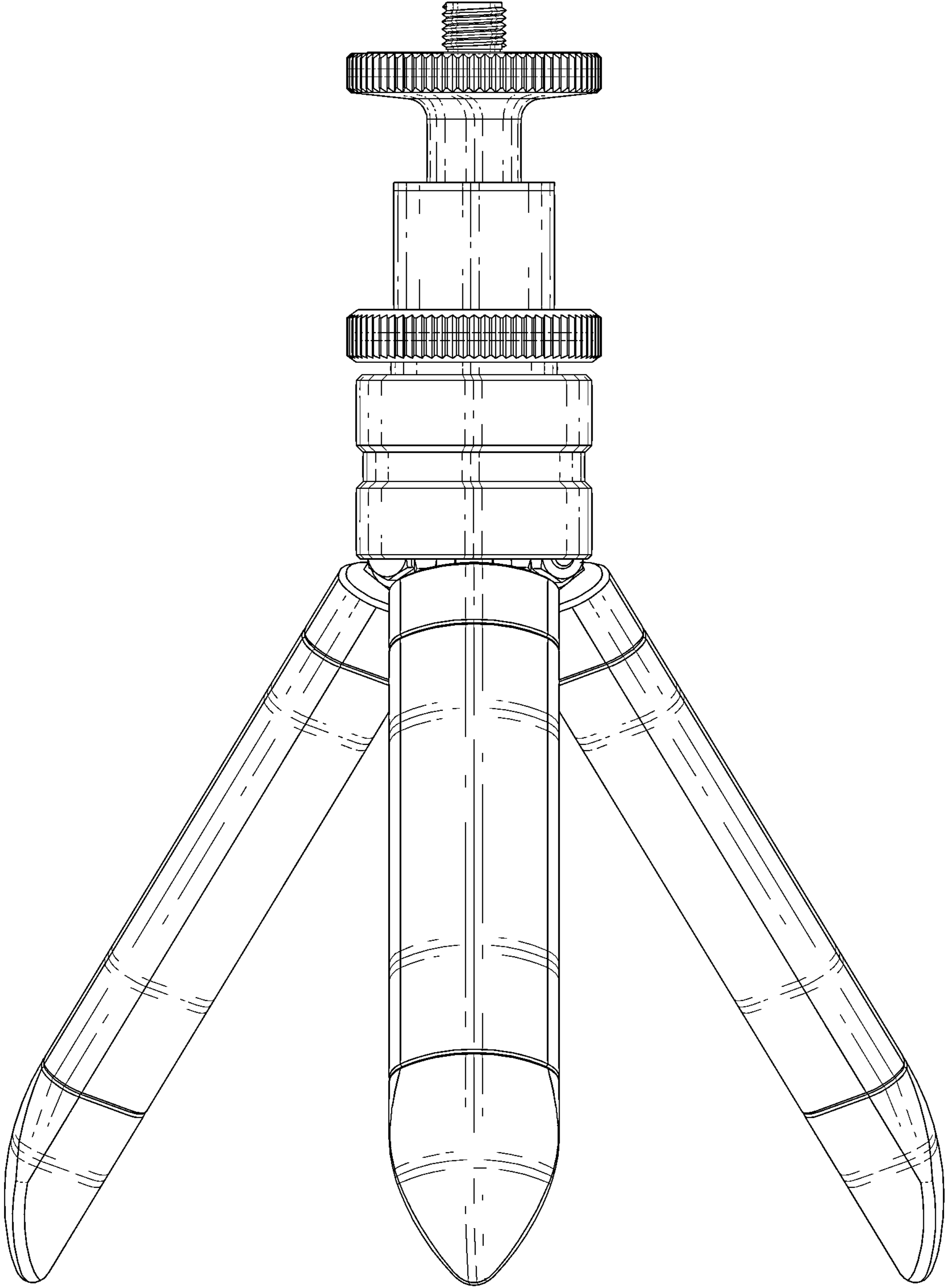


FIG. 10

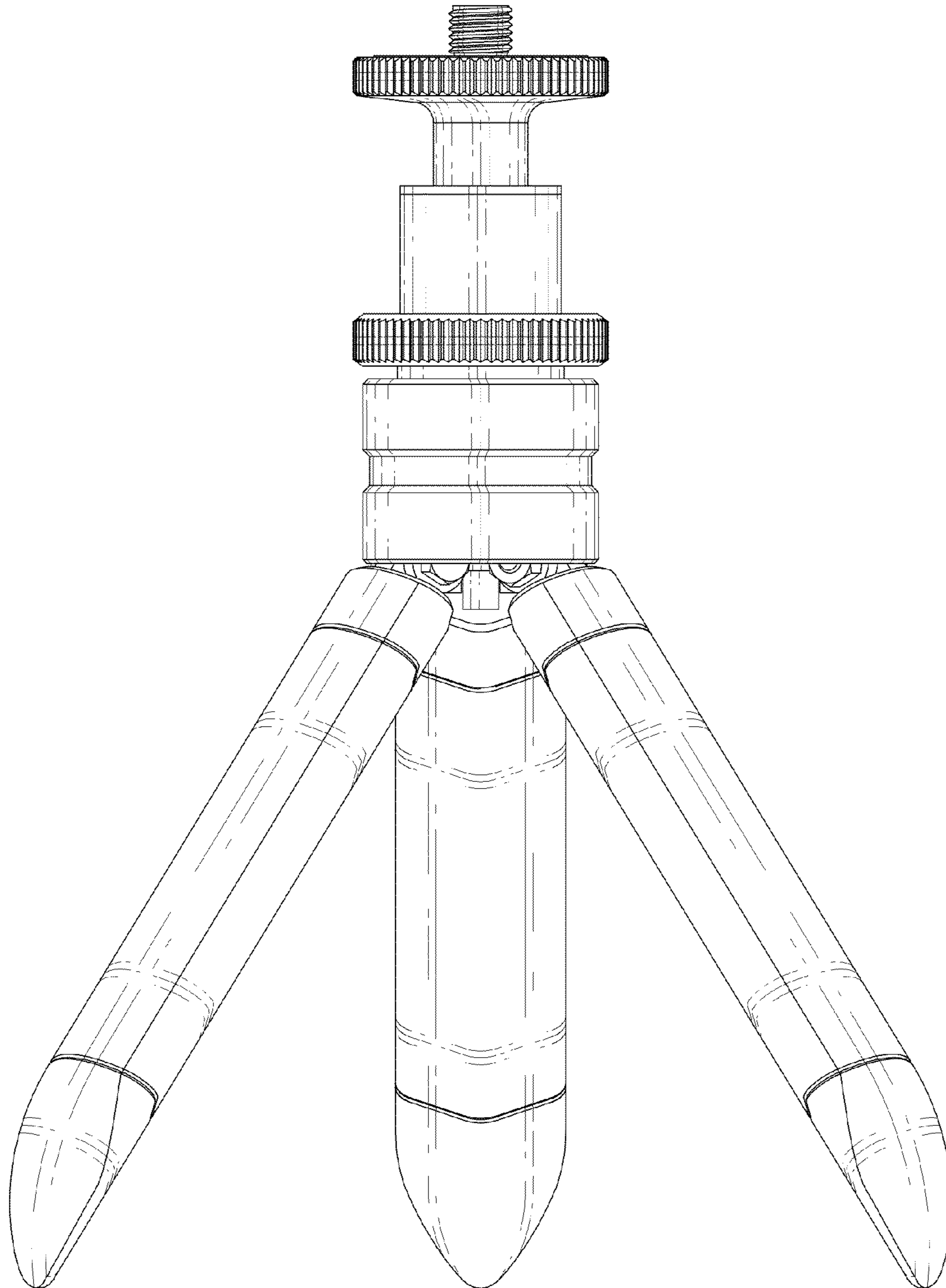


FIG. 11

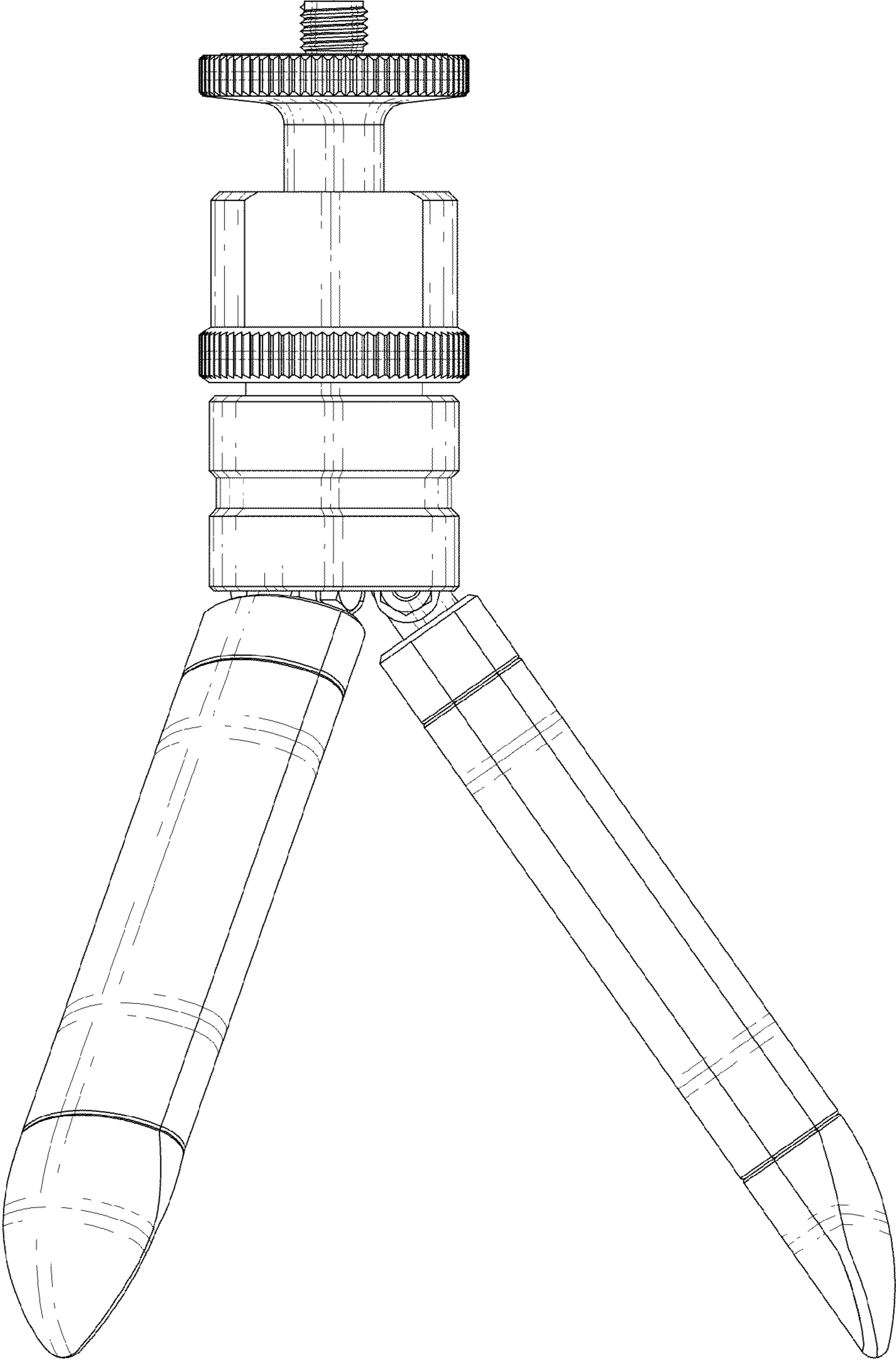


FIG. 12

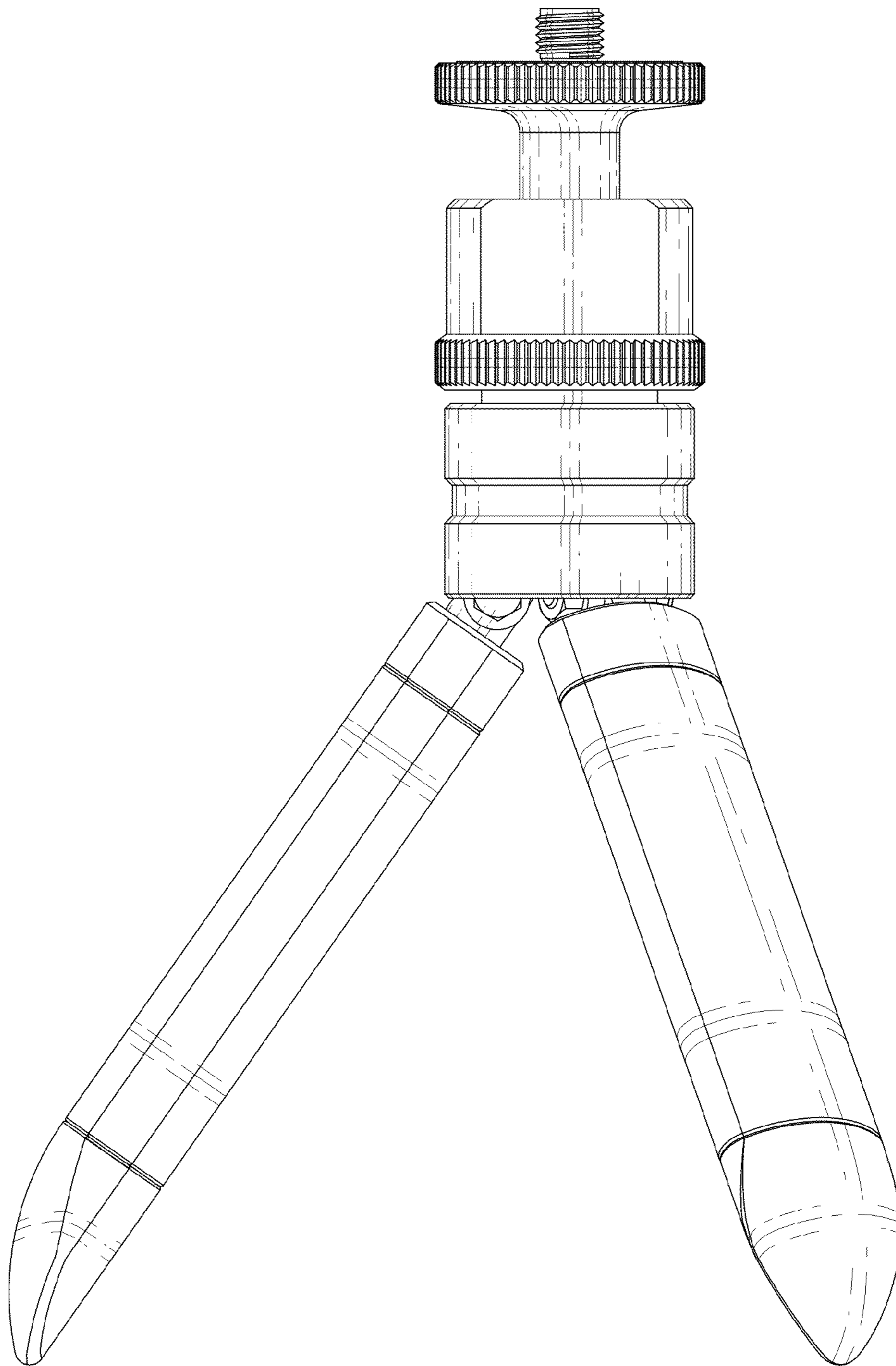


FIG. 13

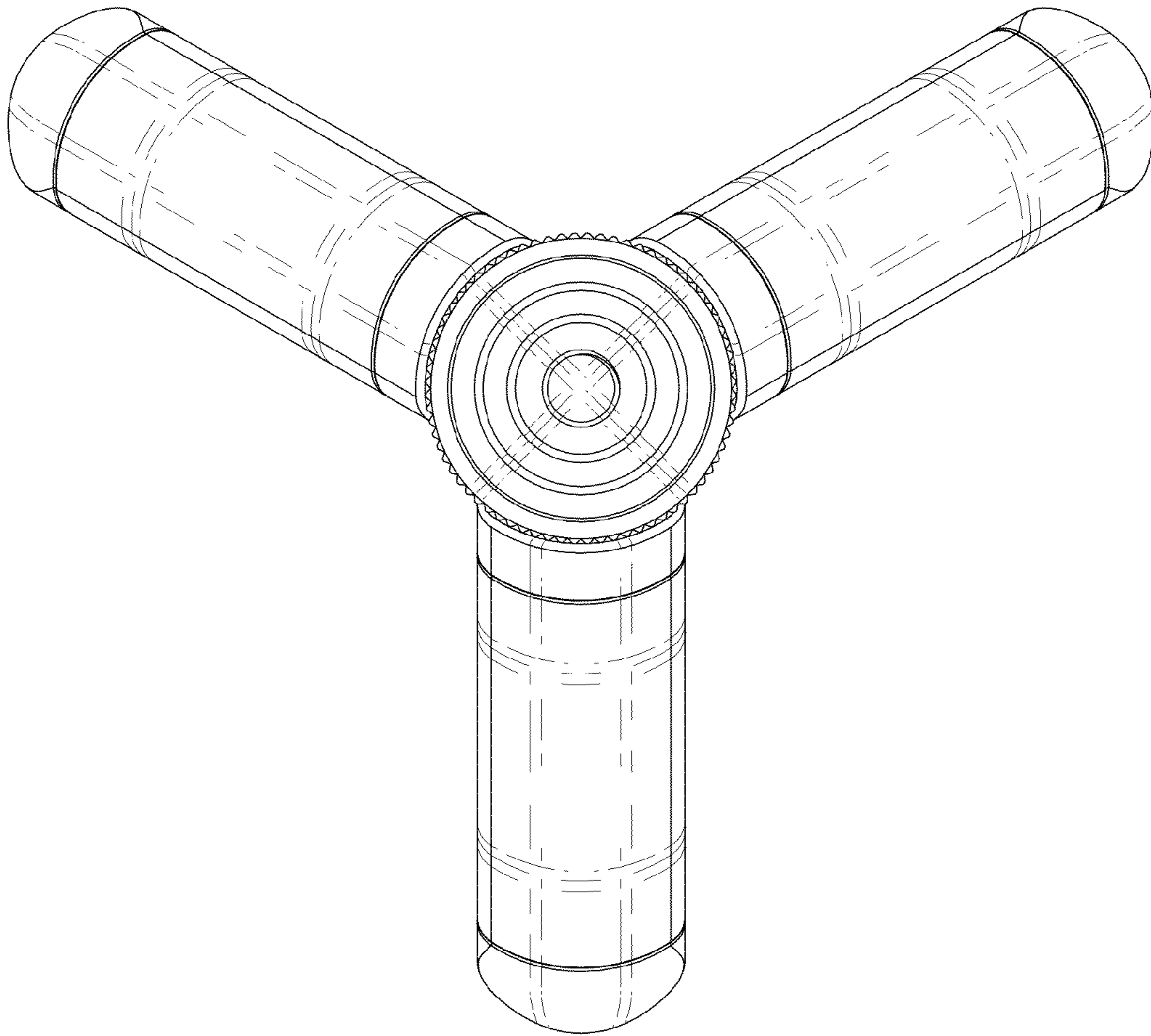


FIG. 14

