



US00D718363S

(12) **United States Design Patent**
Yamauchi

(10) **Patent No.:** **US D718,363 S**

(45) **Date of Patent:** **** Nov. 25, 2014**

(54) **CAMERA FLASH**

(71) Applicant: **Samsung Electronics Co., Ltd.**,
Suwon-si (KR)

(72) Inventor: **Kenji Yamauchi**, Seoul (KR)

(73) Assignee: **Samsung Electronics Co., Ltd.**, Suwon
(KR)

(**) Term: **14 Years**

(21) Appl. No.: **29/459,950**

(22) Filed: **Jul. 5, 2013**

(30) **Foreign Application Priority Data**

Jan. 5, 2013 (KR) 30-2013-0000780

(51) **LOC (10) CL.** **16-05**

(52) **U.S. CL.**
USPC **D16/239**

(58) **Field of Classification Search**
USPC D13/180, 182; D14/130, 144, 240;
D16/202-205, 208, 218, 237, 239,
D16/240; D26/24, 37, 38, 63, 110, 113,
D26/129; 313/313-316; 348/14.01-14.1,
348/370, 373, 375; 362/552; 396/155, 182,
396/189, 200

See application file for complete search history.

(56) **References Cited**

U.S. PATENT DOCUMENTS

D267,252 S * 12/1982 Quinn D16/240
4,982,210 A * 1/1991 Shimada et al. 396/175
D510,087 S * 9/2005 Montgomery et al. D14/240
D525,276 S * 7/2006 de Leon D16/239
D552,648 S * 10/2007 Chung D16/202

D701,553 S * 3/2014 Sanhui D16/239
D703,723 S * 4/2014 Soejima D16/239
2013/0279895 A1 * 10/2013 Tirmenstein 396/155

* cited by examiner

Primary Examiner — Susan Bennett Hattan

Assistant Examiner — Leanne Was

(74) *Attorney, Agent, or Firm* — Staas & Halsey LLP

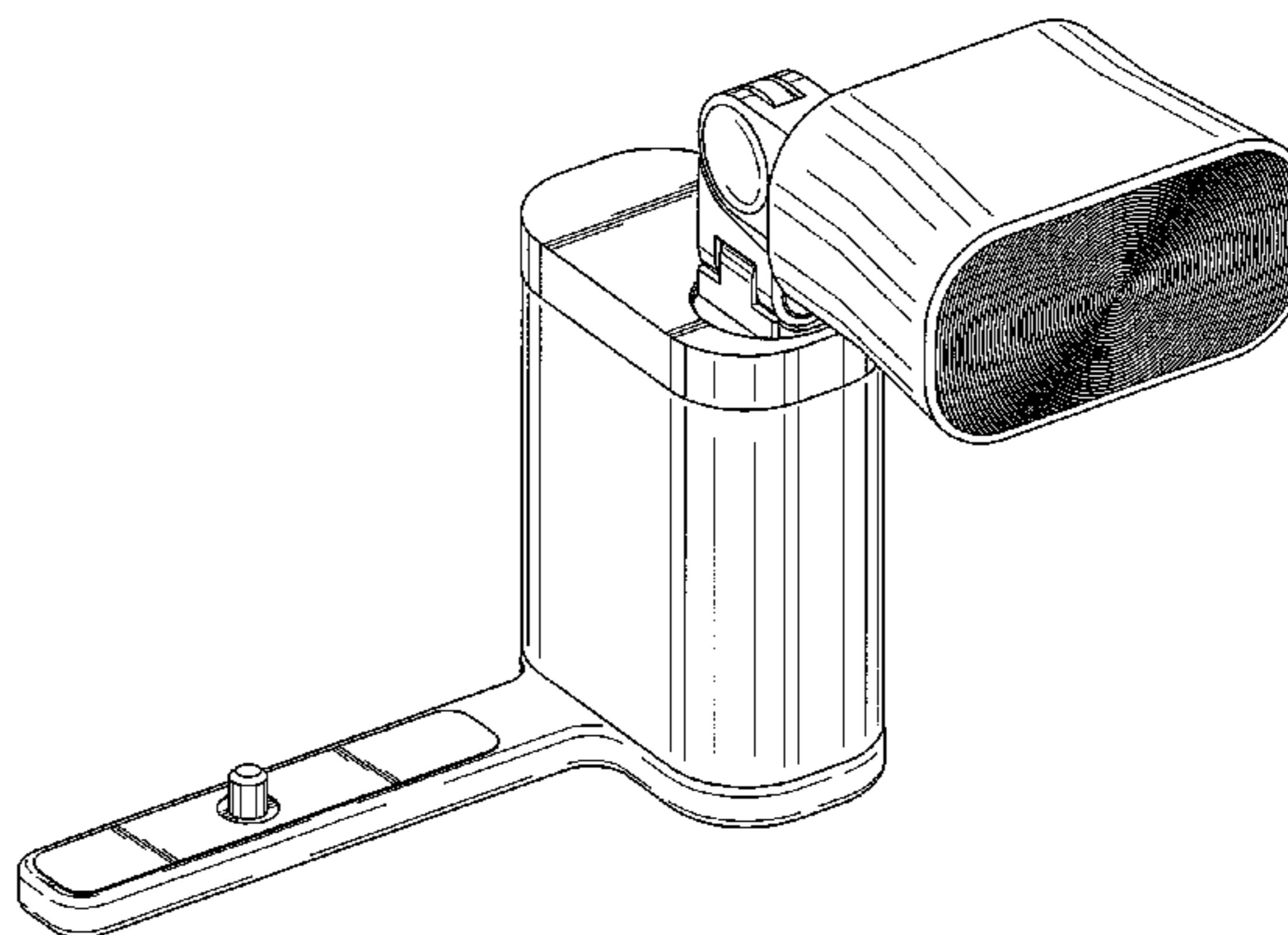
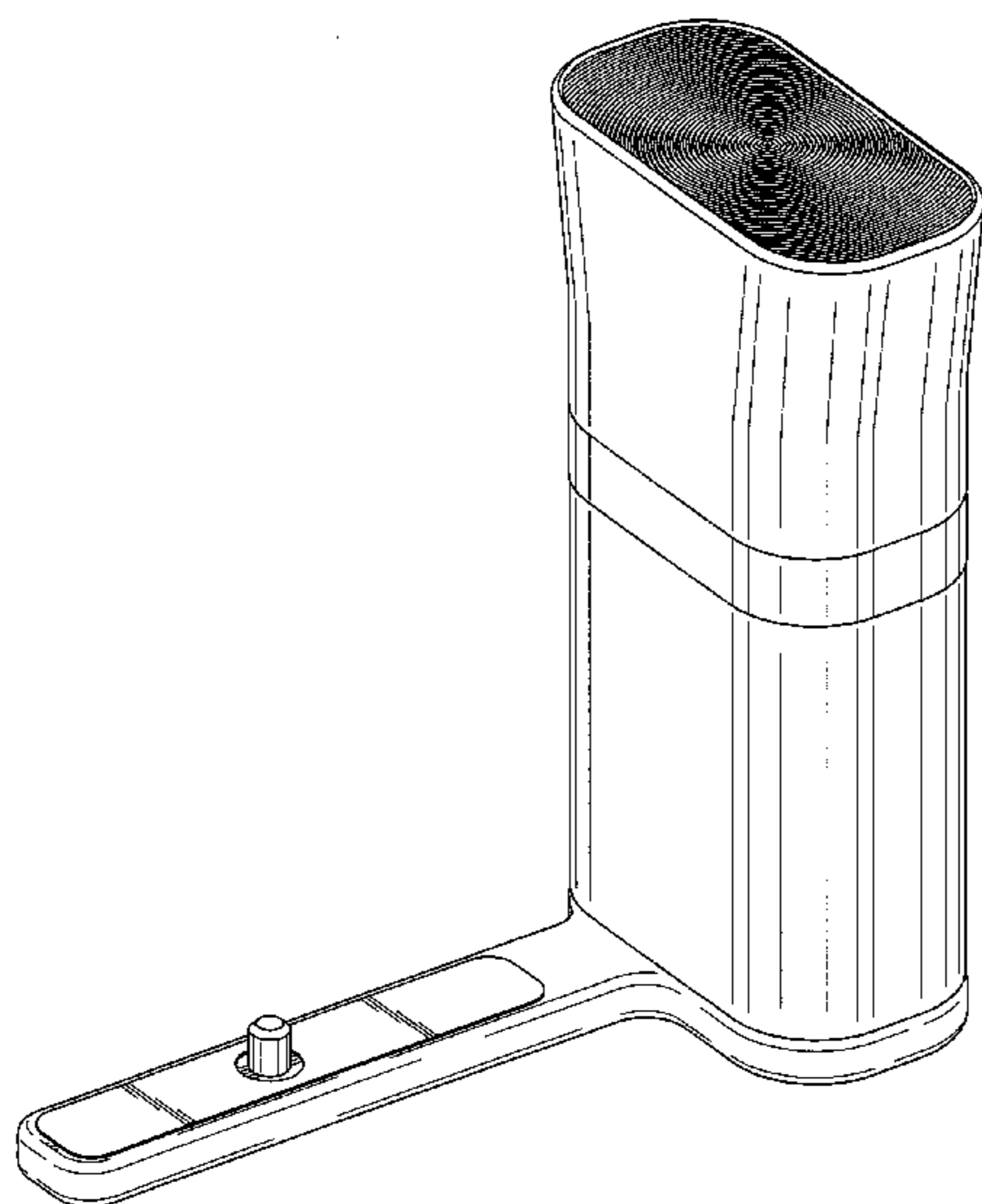
(57) **CLAIM**

The ornamental design for a camera flash, as shown and described.

DESCRIPTION

FIG. 1 is a top front perspective view of a camera flash;
FIG. 2 is a front view thereof;
FIG. 3 is a rear view thereof;
FIG. 4 is a left-side view thereof;
FIG. 5 is a right-side view thereof;
FIG. 6 is a top view thereof;
FIG. 7 is a bottom view thereof;
FIG. 8 is another front view thereof, in which the camera flash is combined with a digital camera;
FIG. 9 is a bottom front perspective view thereof, in which the camera flash is combined with a digital camera;
FIG. 10 is another top front perspective view thereof, in which a flashing portion is protruded from a main body and rotated horizontally by 90 degrees
FIG. 11 is another top front perspective view thereof, in which a flashing portion is rotated longitudinally by 90 degrees from the position in FIG. 10; and,
FIG. 12 is another top front perspective view thereof, in which a flashing portion is rotated longitudinally by 90 degrees from the position in FIG. 11.
The broken lines shown in the drawings are directed to environment and are for illustrative purpose only; the broken lines form no part of the claimed design.

1 Claim, 10 Drawing Sheets



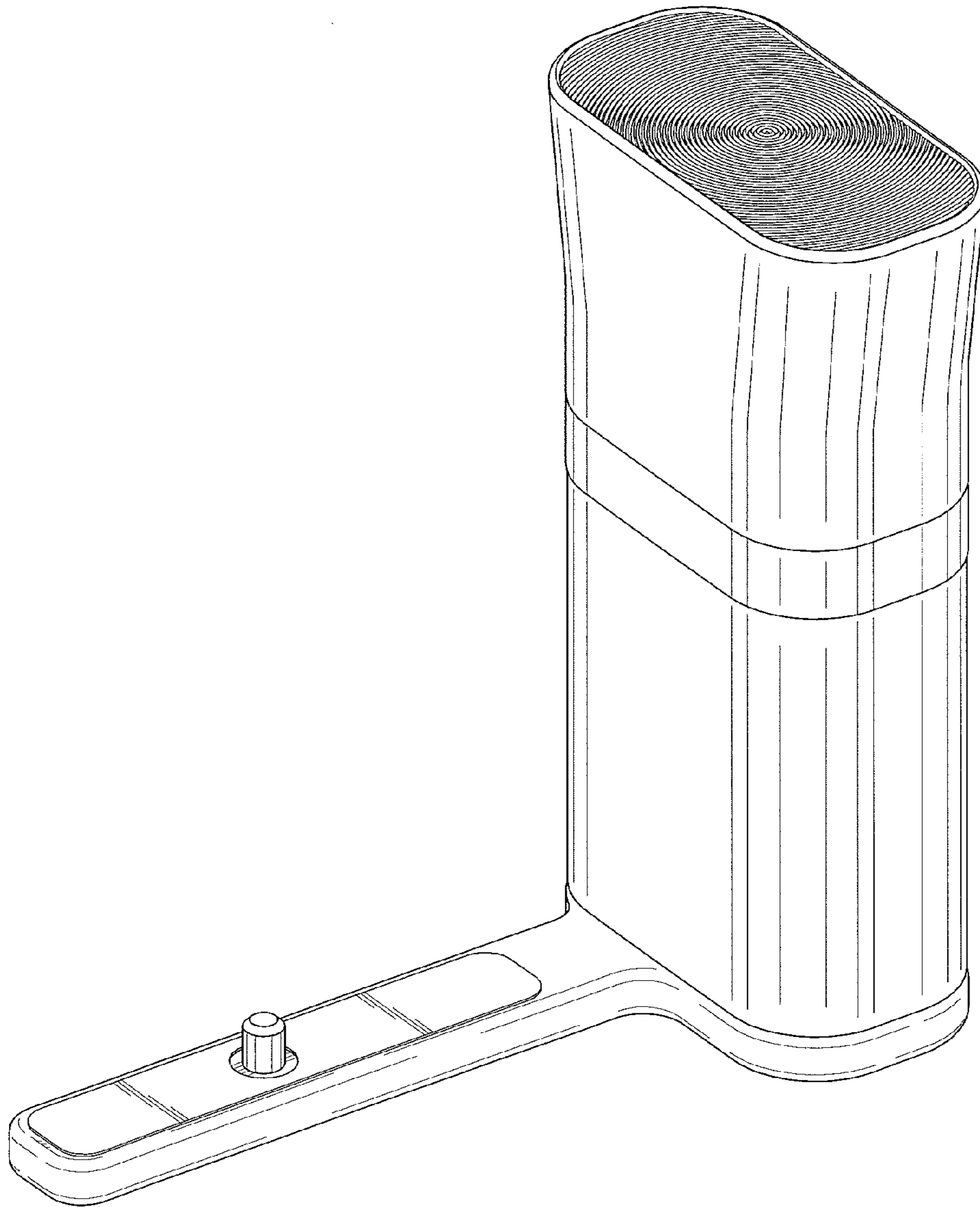


FIG.1

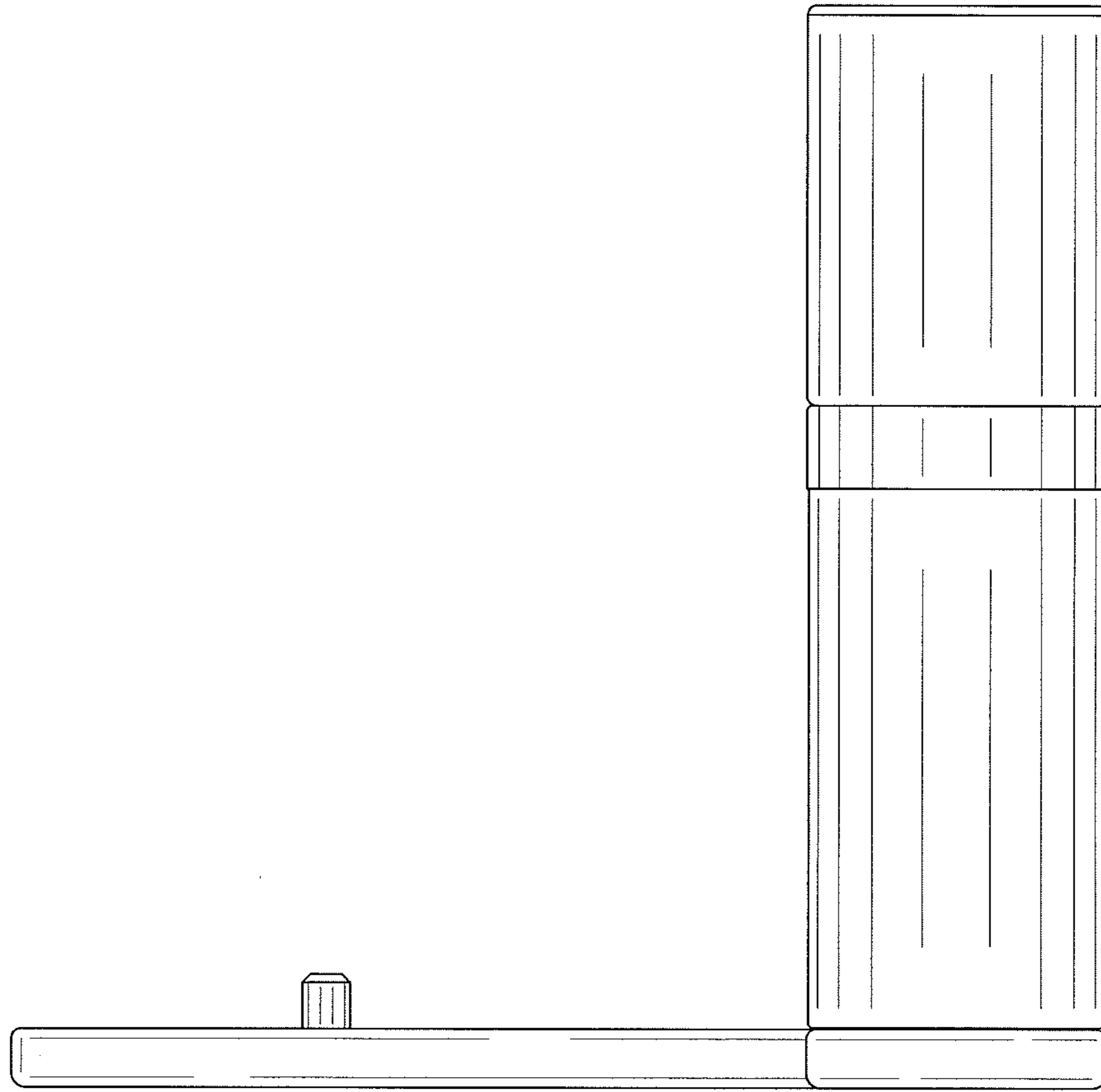


FIG.2

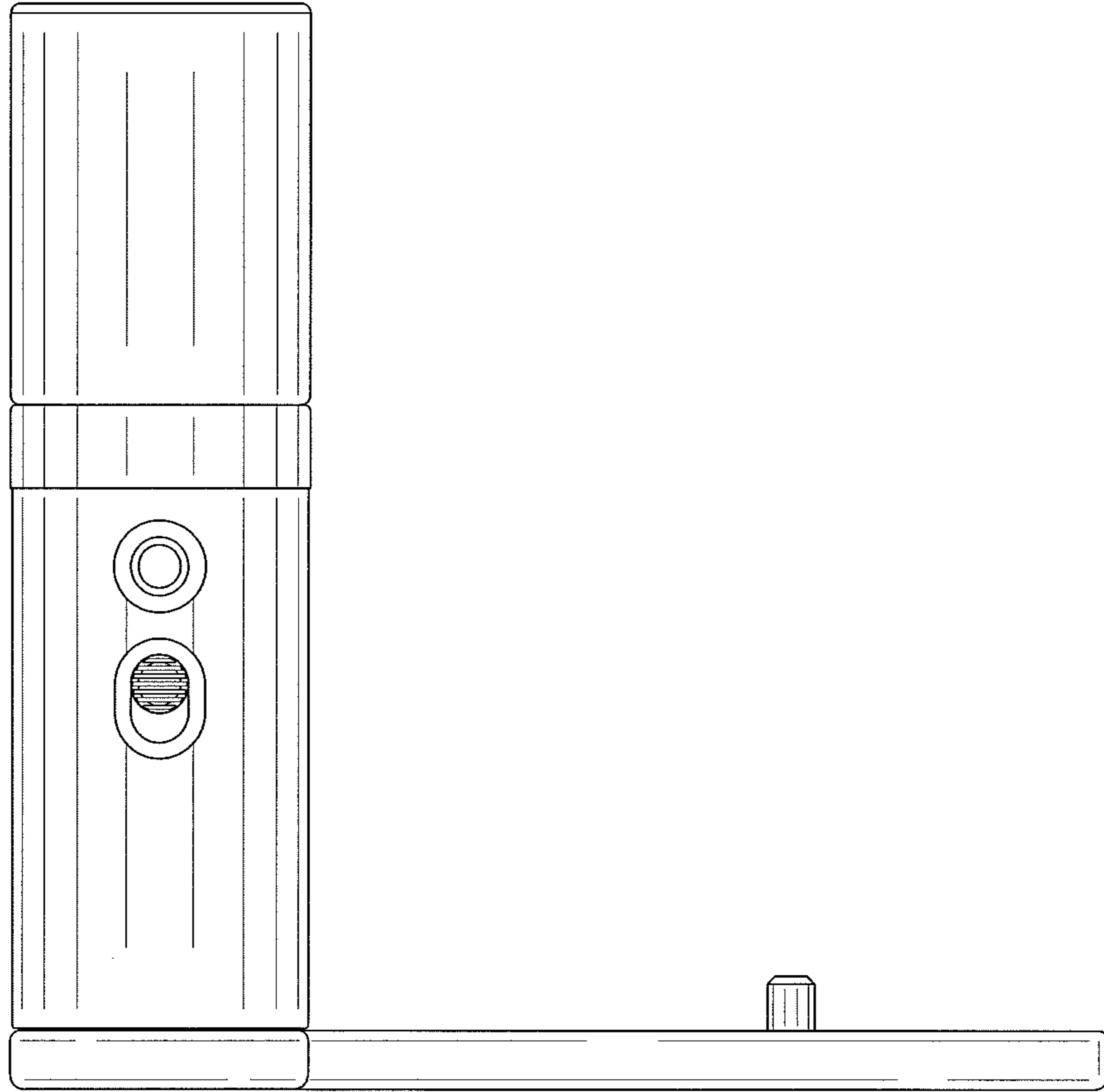


FIG.3

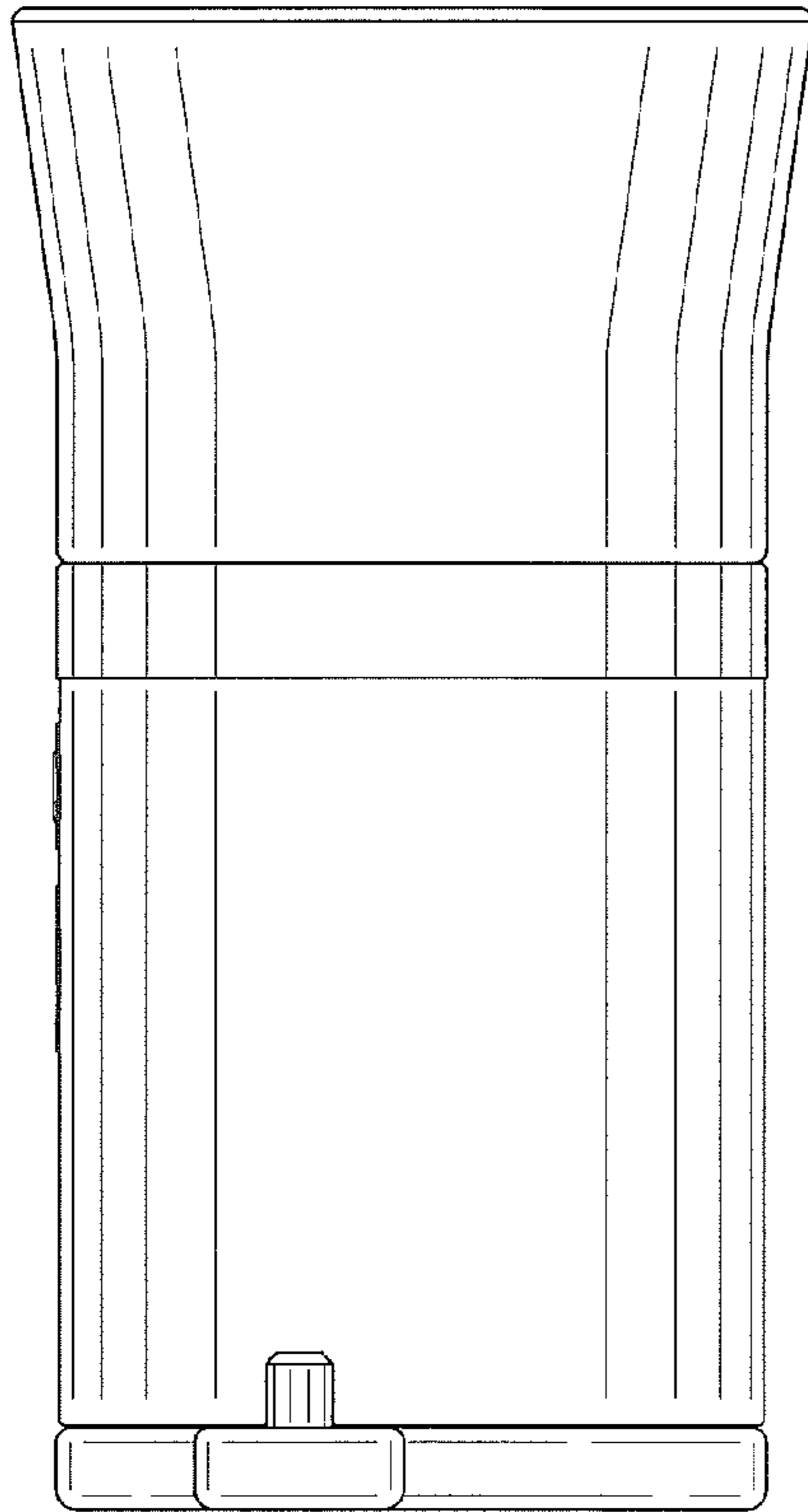


FIG.4

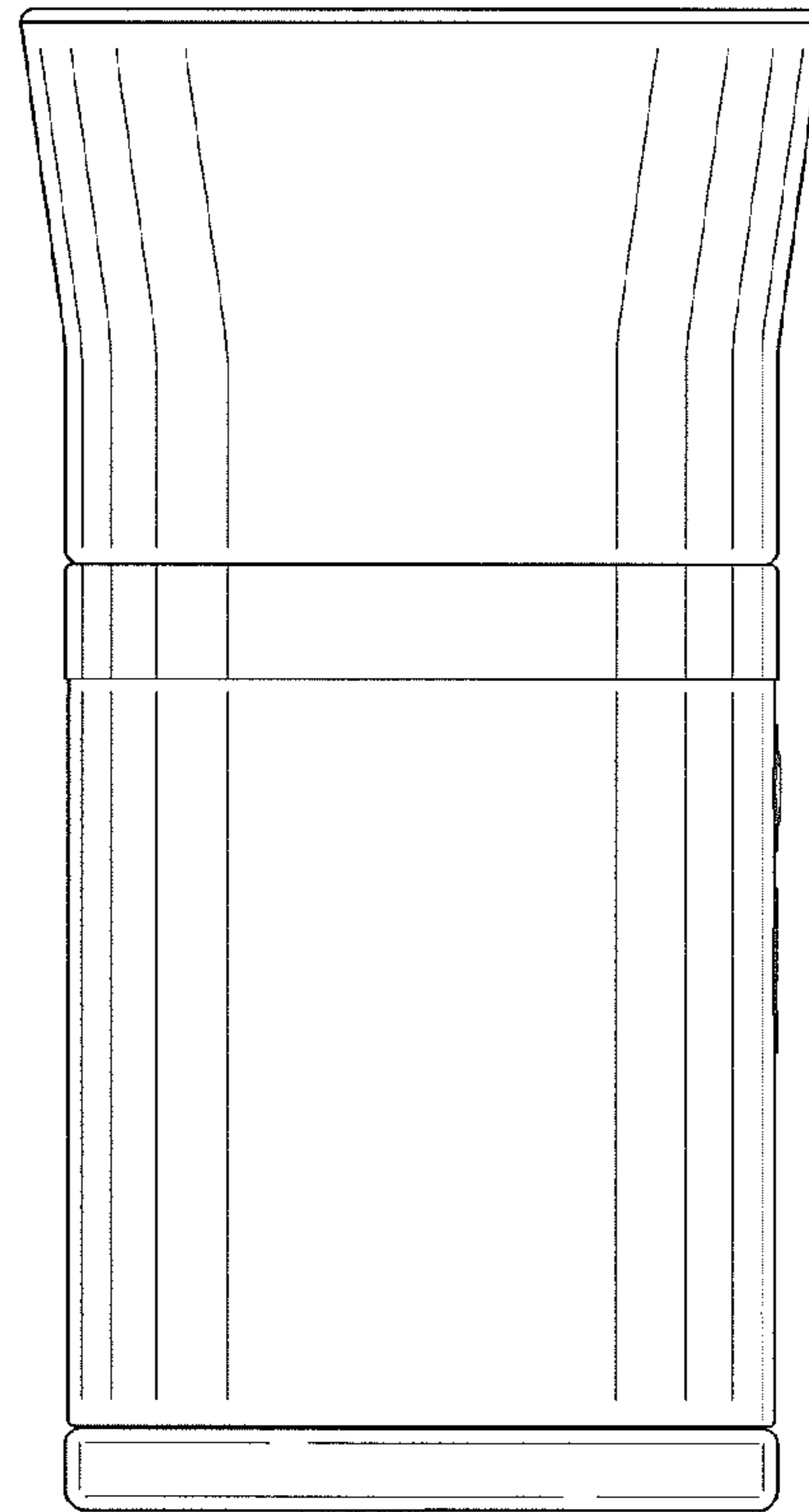


FIG.5

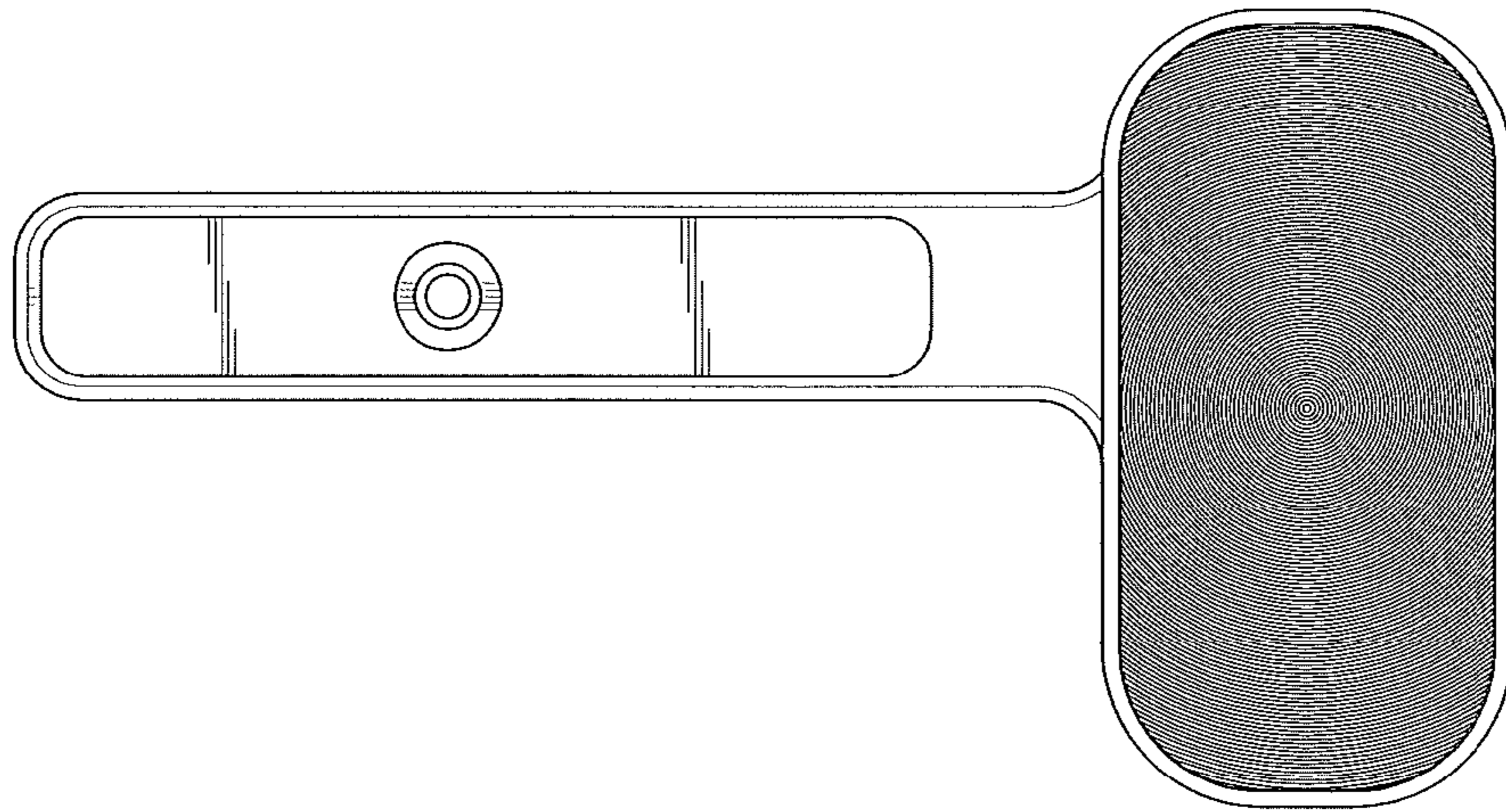


FIG.6

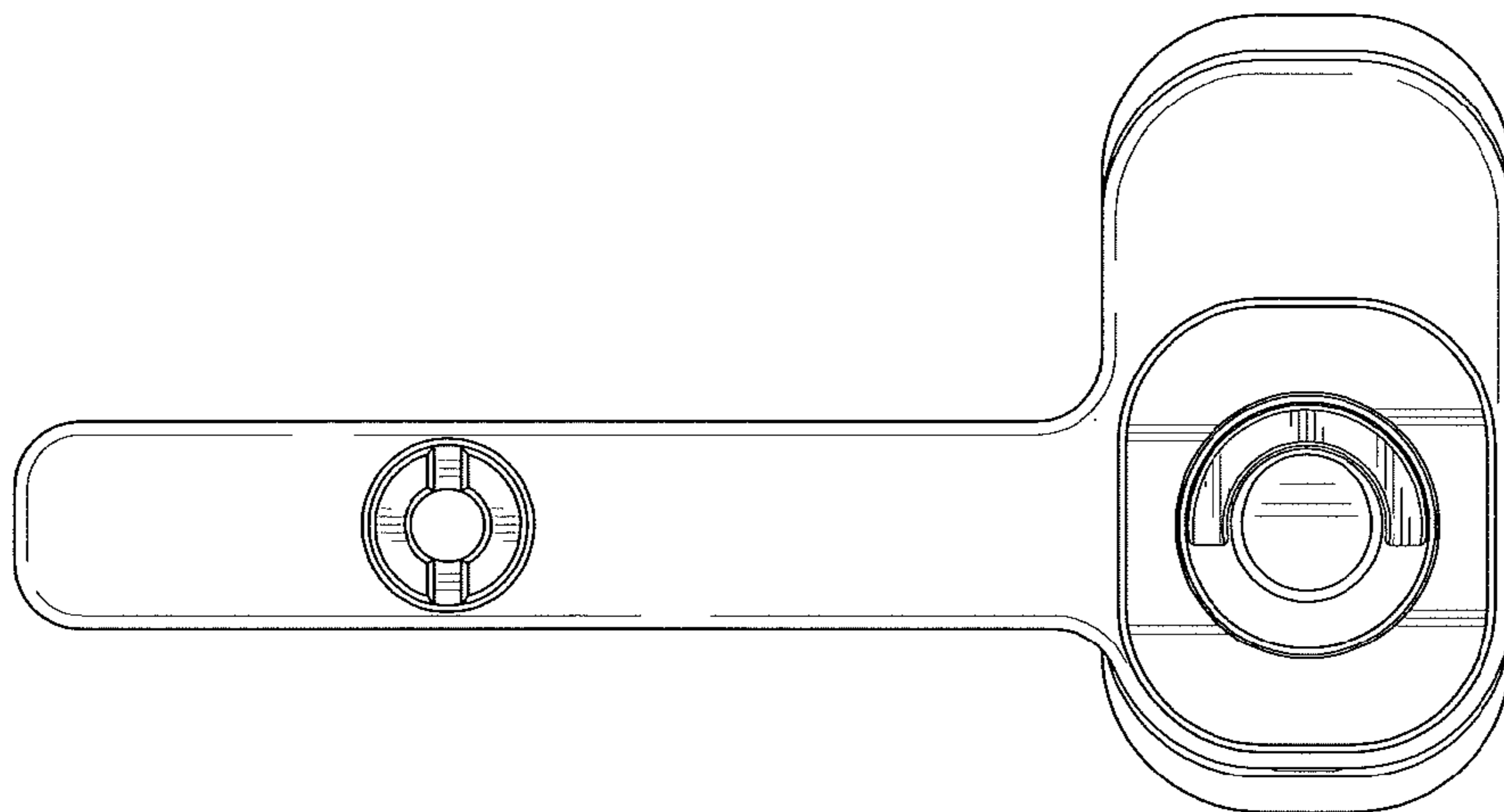


FIG.7

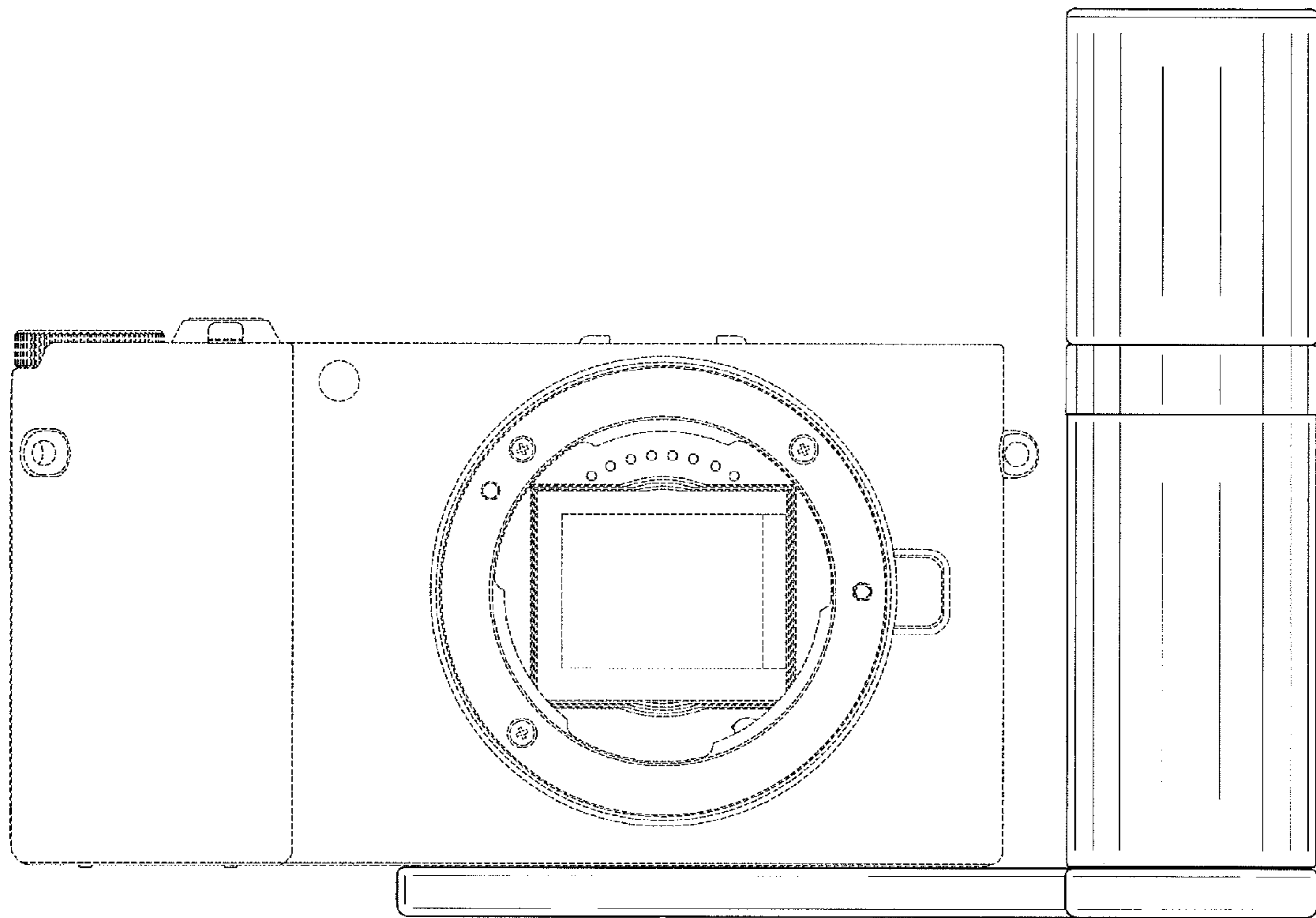


FIG.8

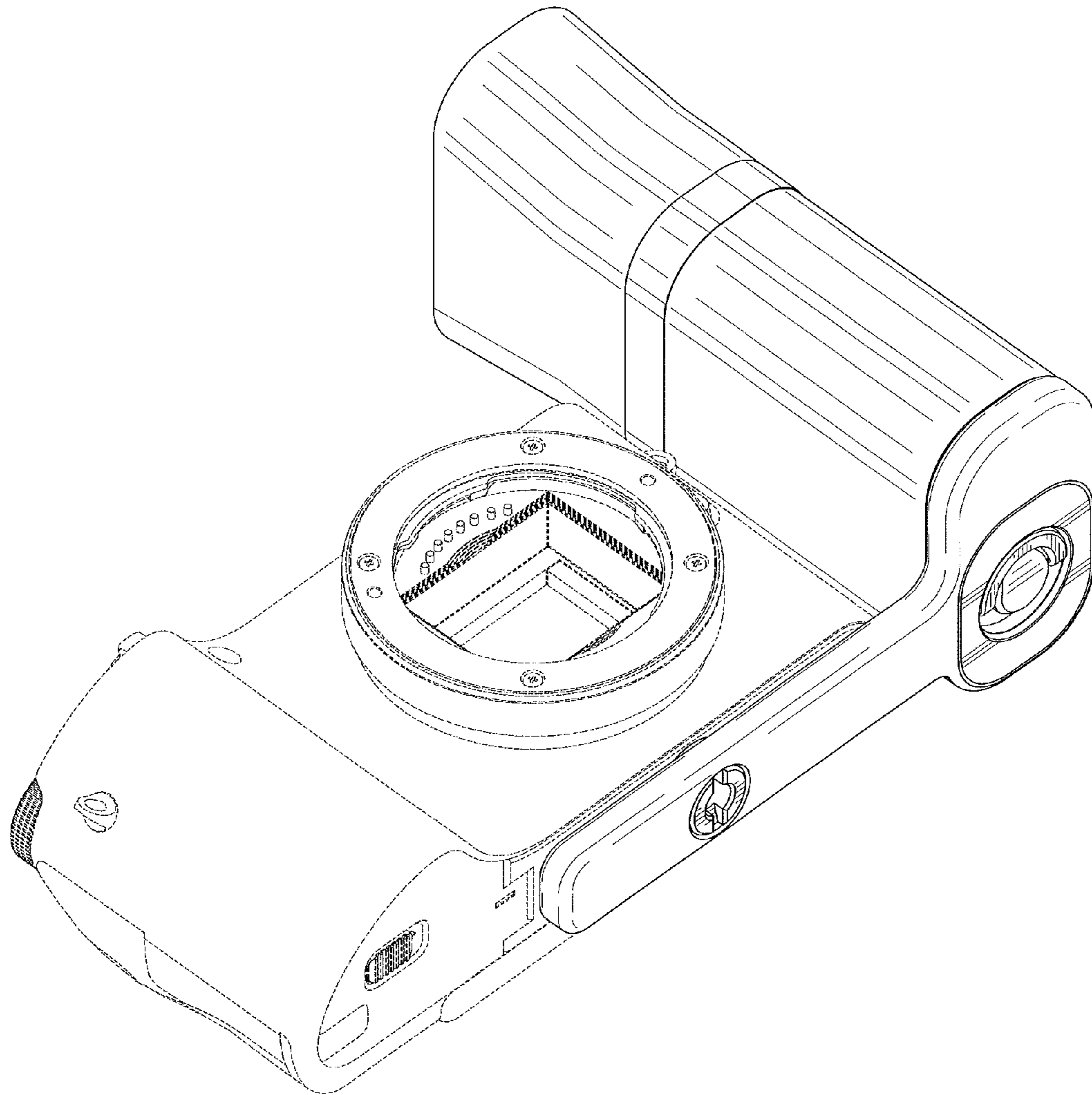


FIG.9

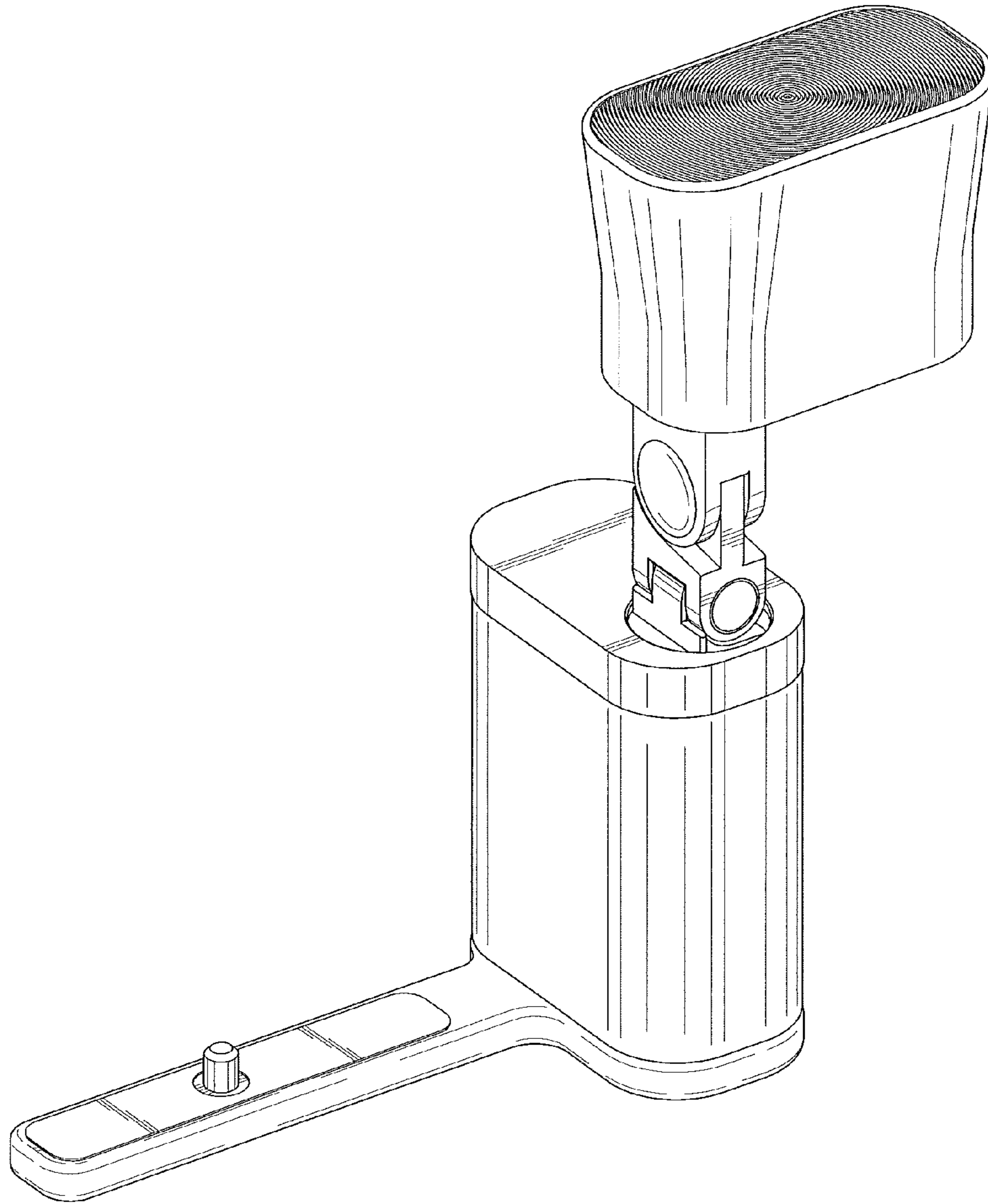


FIG.10

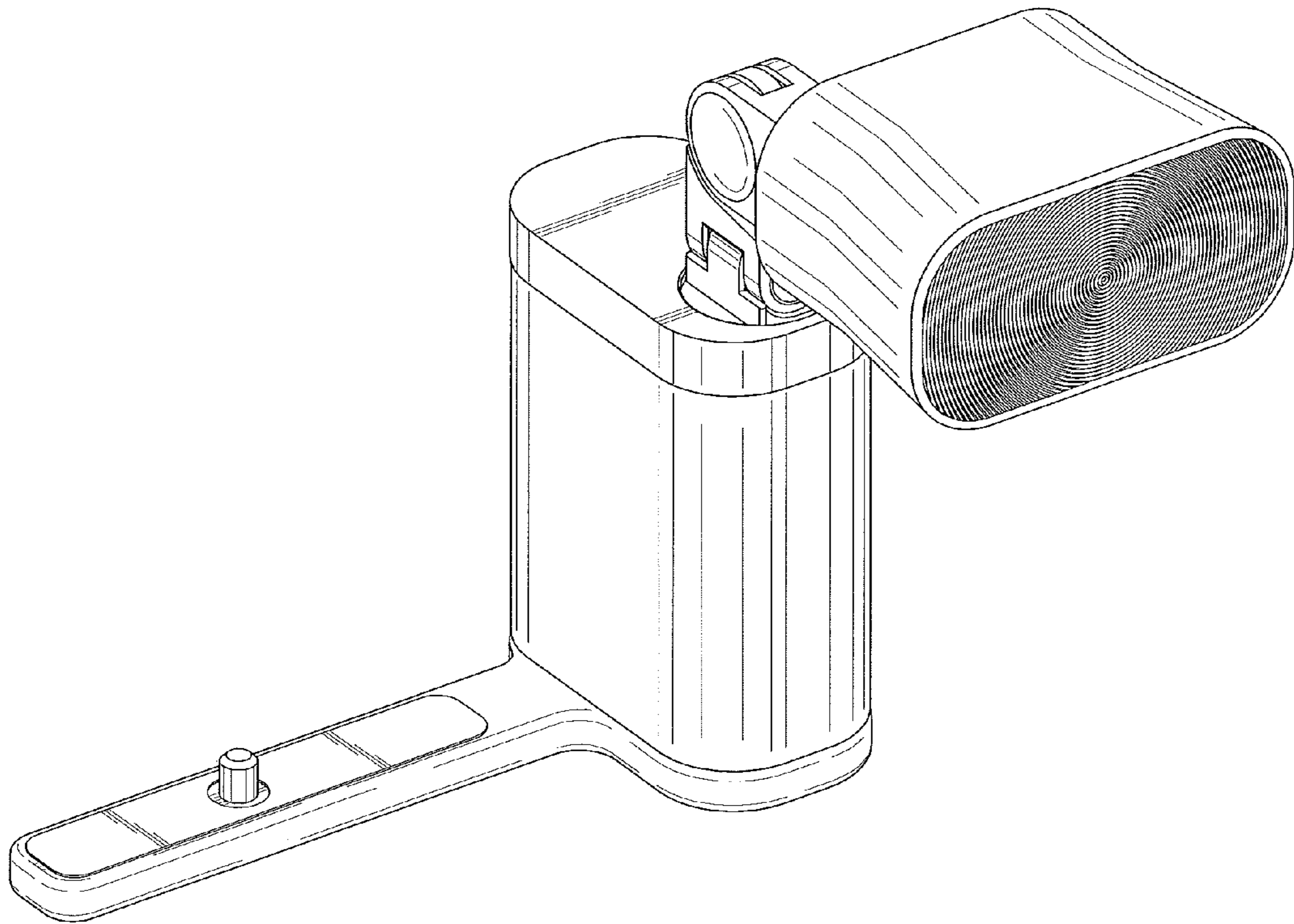


FIG.11

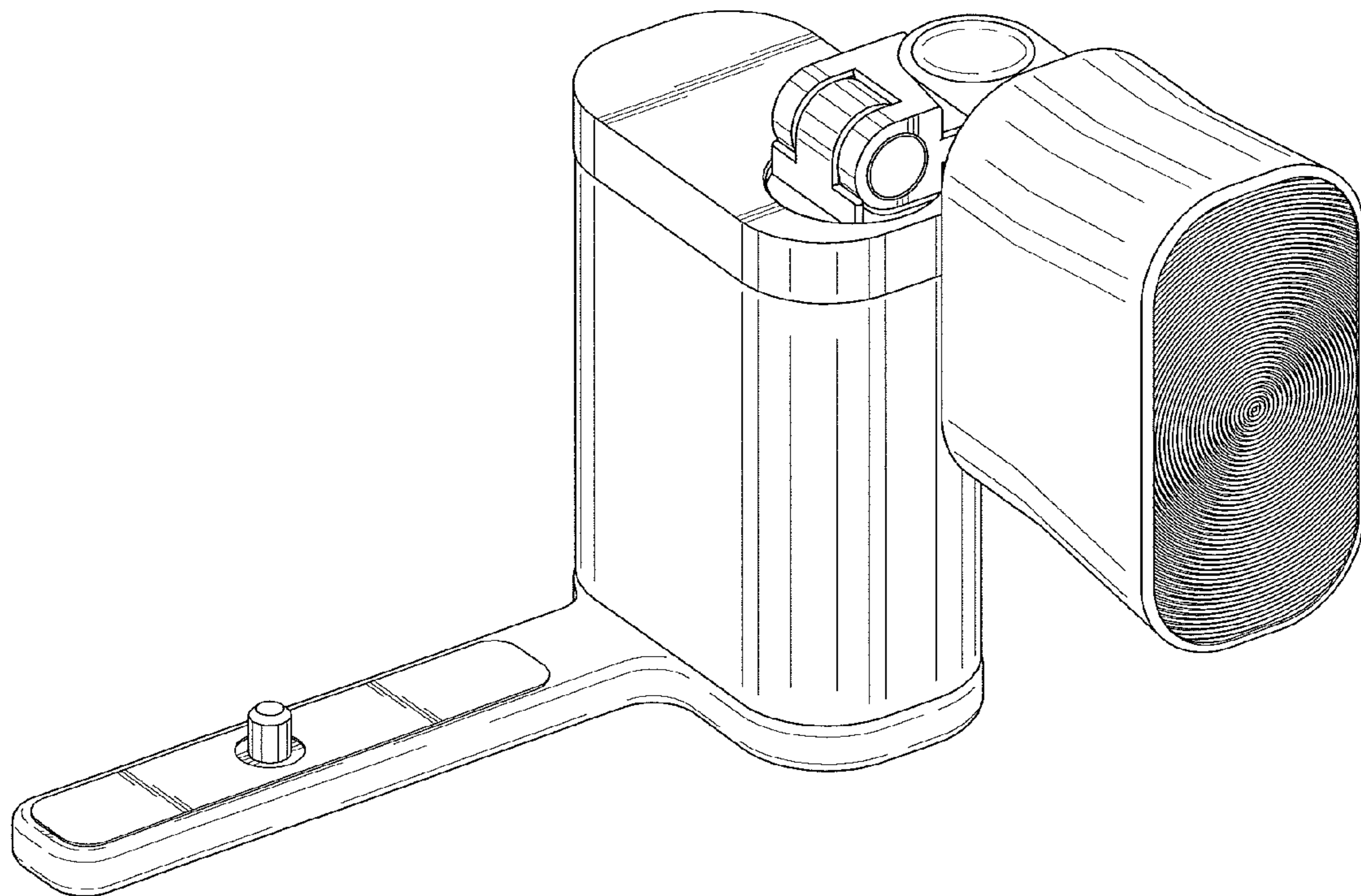


FIG.12