



US00D718362S

(12) **United States Design Patent**  
**Noh**

(10) **Patent No.:** **US D718,362 S**

(45) **Date of Patent:** **\*\* Nov. 25, 2014**

(54) **CAMERA LENS**

(71) Applicant: **Samsung Electronics Co., Ltd.**,  
Suwon-si (KR)

(72) Inventor: **Kyung-Han Noh**, Seoul (KR)

(73) Assignee: **Samsung Electronics Co., Ltd.**, Suwon  
(KR)

(\*\*) Term: **14 Years**

(21) Appl. No.: **29/459,944**

(22) Filed: **Jul. 5, 2013**

(30) **Foreign Application Priority Data**

Jan. 5, 2013 (KR) ..... 30-2013-0000775

(51) **LOC (10) Cl.** ..... **16-05**

(52) **U.S. Cl.**  
USPC ..... **D16/219**

(58) **Field of Classification Search**  
CPC ..... G03B 17/02; G03B 19/04; G03B 17/56;  
G03B 17/04; G03B 15/03; G03B 17/14;  
H04N 5/2251; H04N 5/2252; H04N 5/2253;  
H04N 5/2254; G02B 7/02; G02B 7/04;  
G02B 7/14  
USPC ..... D16/134, 136, 200, 202–205, 218, 219,  
D16/242; 348/373–376; 359/826–828;  
396/529–532, 535, 539–541  
See application file for complete search history.

(56) **References Cited**

**U.S. PATENT DOCUMENTS**

4,063,264 A \* 12/1977 Ando et al. .... 396/531  
D302,169 S \* 7/1989 Kimura et al. .... D16/134

D302,984 S \* 8/1989 Kimura et al. .... D16/134  
D338,028 S \* 8/1993 Takahashi ..... D16/134  
D341,611 S \* 11/1993 Takahashi ..... D16/134  
D375,969 S \* 11/1996 Watanabe ..... D16/134  
D425,088 S \* 5/2000 Watanabe ..... D16/134  
D428,428 S \* 7/2000 Ono ..... D16/134  
D433,044 S \* 10/2000 Nagaoka ..... D16/134  
D548,261 S \* 8/2007 Nakamura ..... D16/219  
D562,862 S \* 2/2008 Yasutomi ..... D16/134  
D562,863 S \* 2/2008 Yasutomi ..... D16/134  
D562,864 S \* 2/2008 Yasutomi ..... D16/134  
D562,865 S \* 2/2008 Yasutomi ..... D16/134  
D566,158 S \* 4/2008 Yasutomi ..... D16/219  
D665,005 S \* 8/2012 Asano et al. .... D16/219  
D670,751 S \* 11/2012 Koyama et al. .... D16/219  
D696,709 S \* 12/2013 Sato ..... D16/219  
2013/0021687 A1 \* 1/2013 Santo et al. .... 359/827

\* cited by examiner

*Primary Examiner* — Adir Aronovich

*Assistant Examiner* — Ramzi Almatrahi

(74) *Attorney, Agent, or Firm* — Staas & Halsey LLP

(57) **CLAIM**

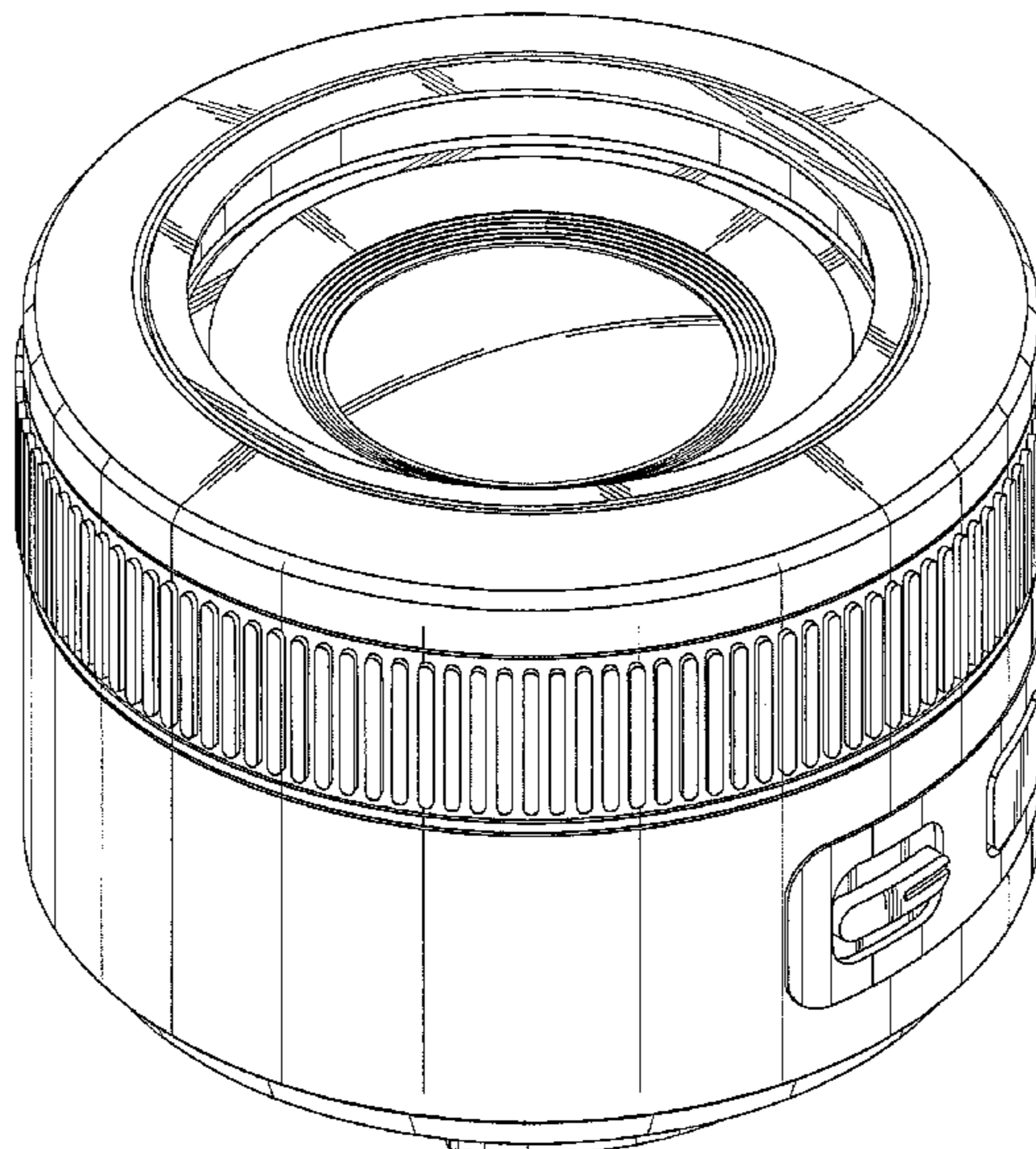
The ornamental design for a camera lens, as shown and described.

**DESCRIPTION**

FIG. 1 is a top front perspective view of a camera lens;  
FIG. 2 is a front view thereof;  
FIG. 3 is a rear view thereof;  
FIG. 4 is a left-side view thereof;  
FIG. 5 is a right-side view thereof;  
FIG. 6 is a top view thereof; and,  
FIG. 7 is a bottom view thereof.

The broken lines depict portions of the camera lens in which the design is embodied and form no part of the claimed design.

**1 Claim, 5 Drawing Sheets**



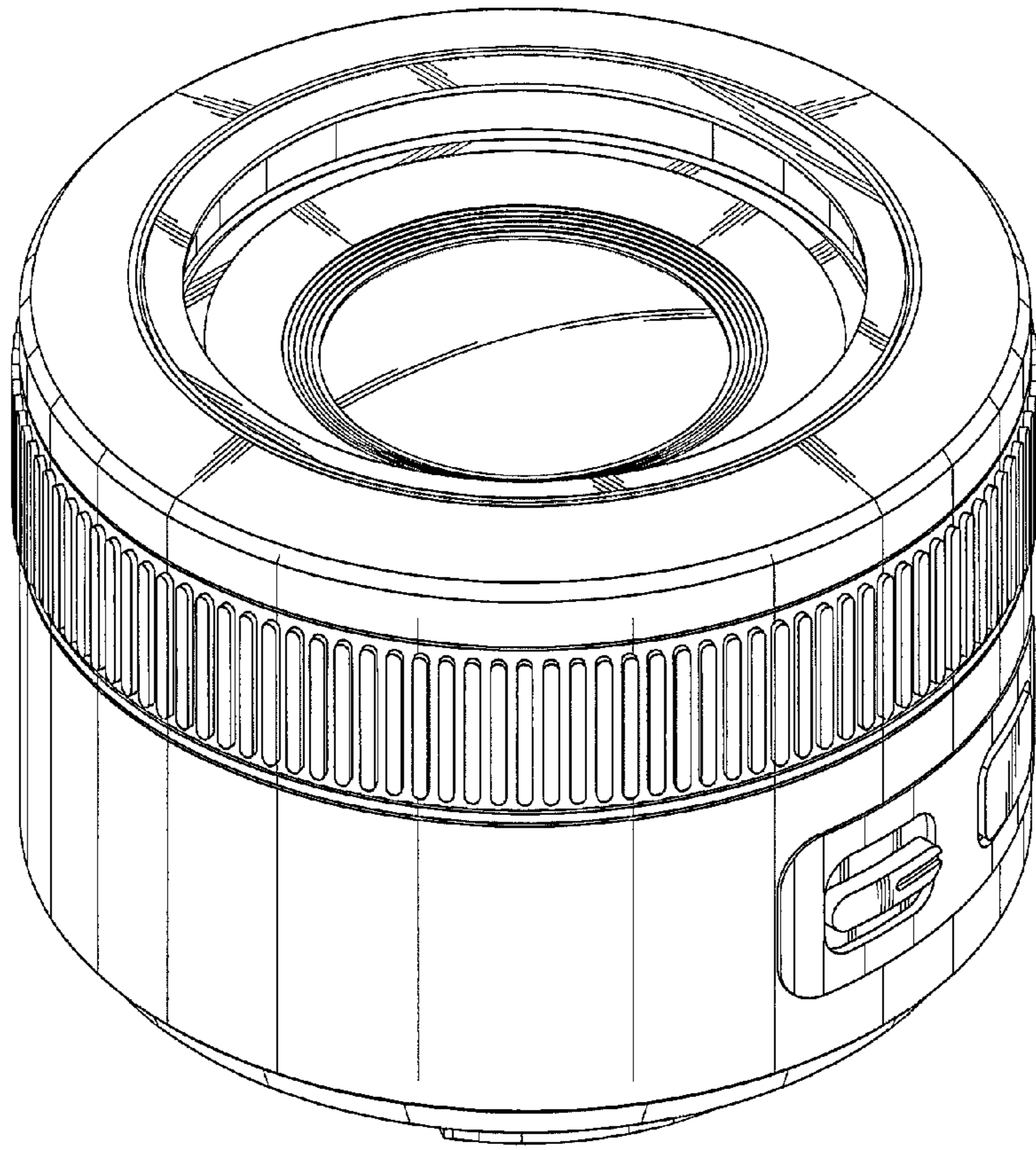


FIG.1

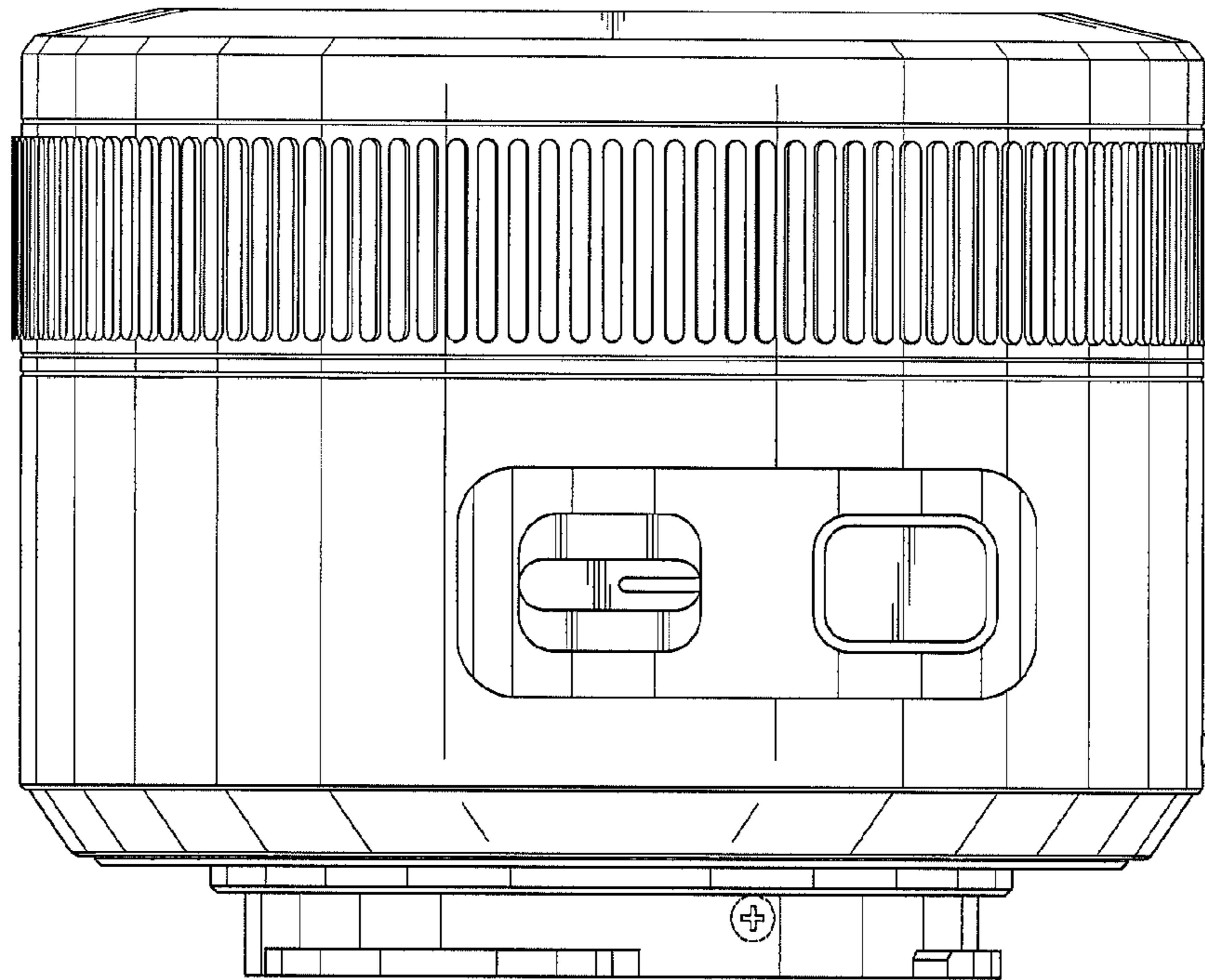


FIG.2

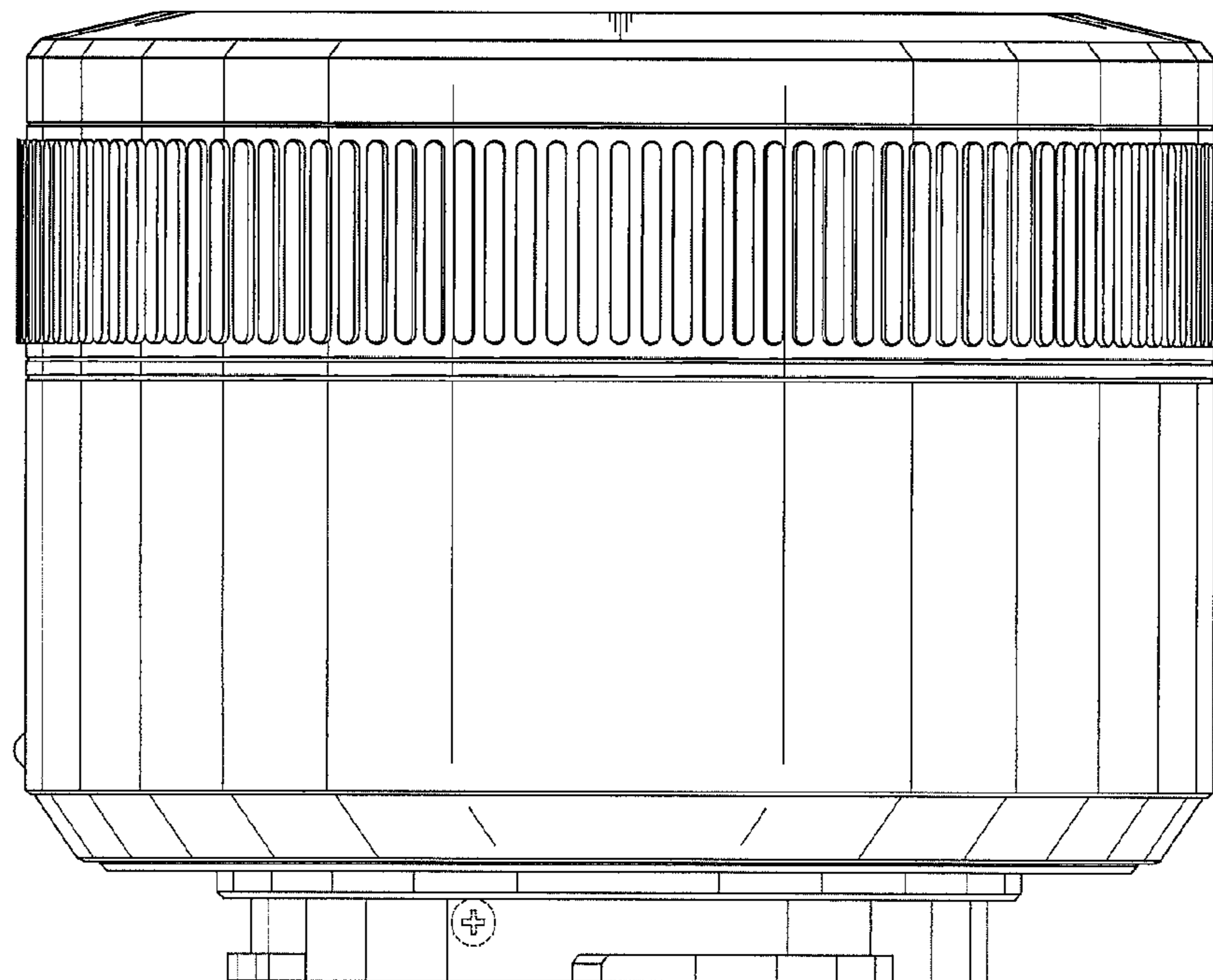


FIG.3



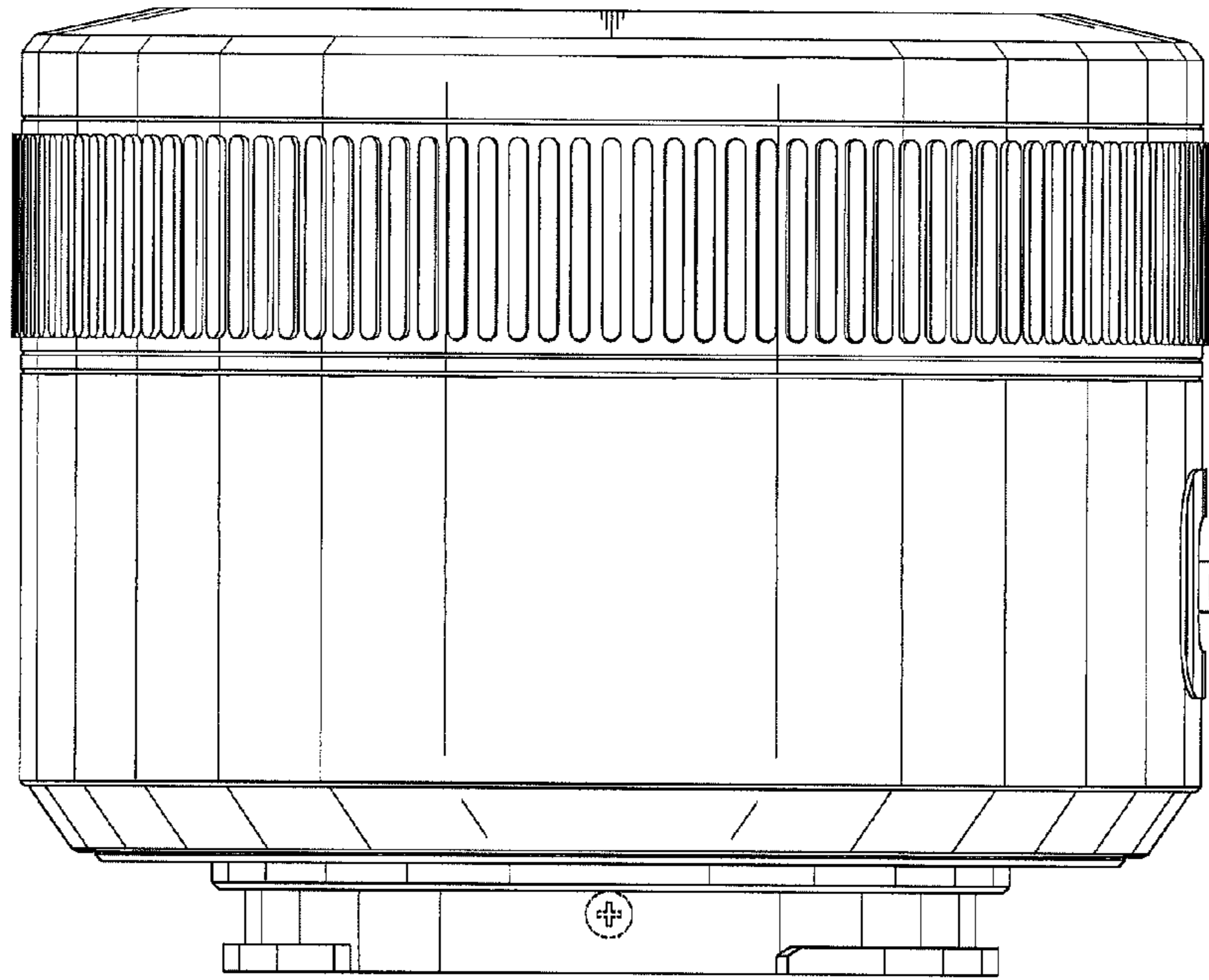


FIG.4

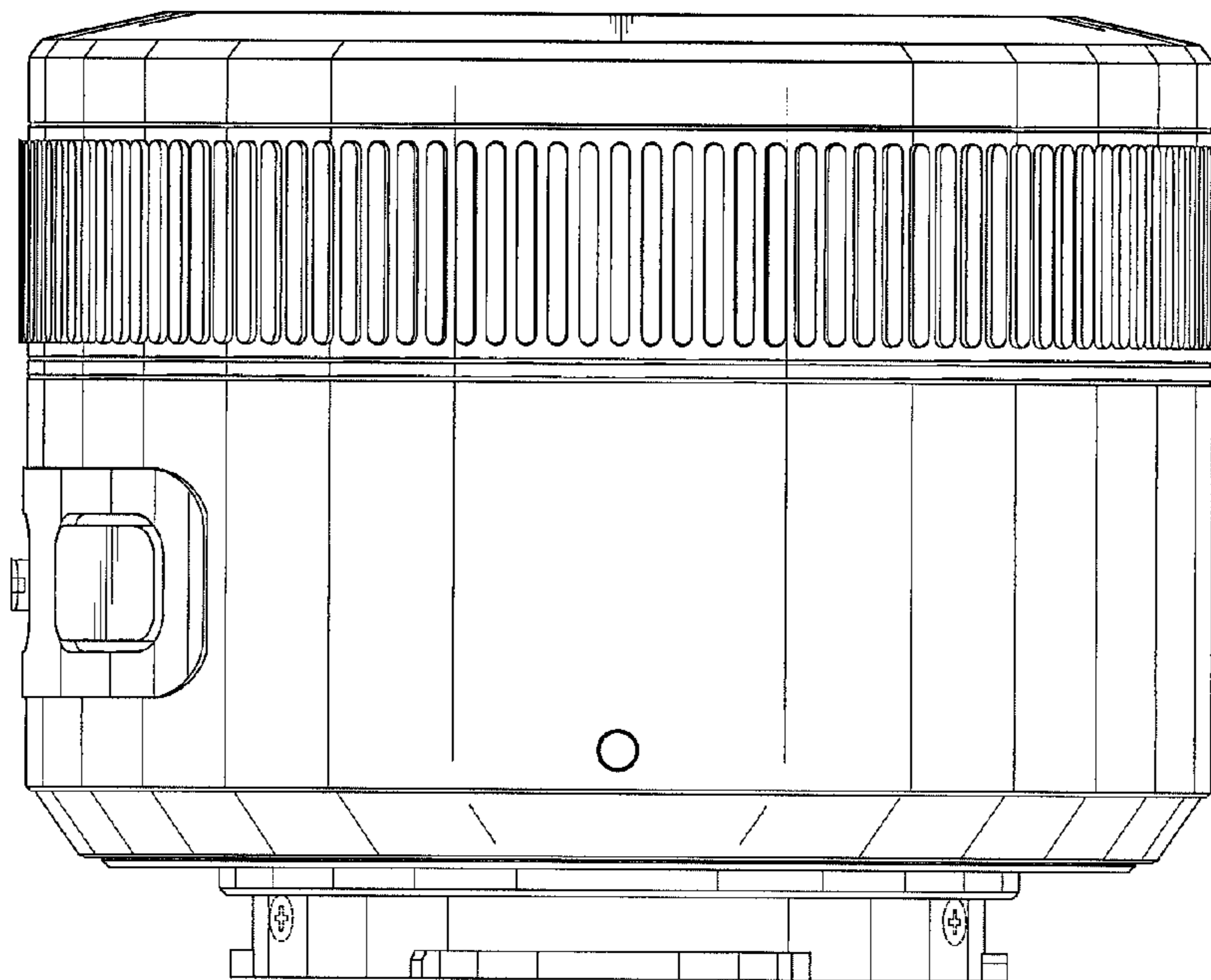


FIG.5

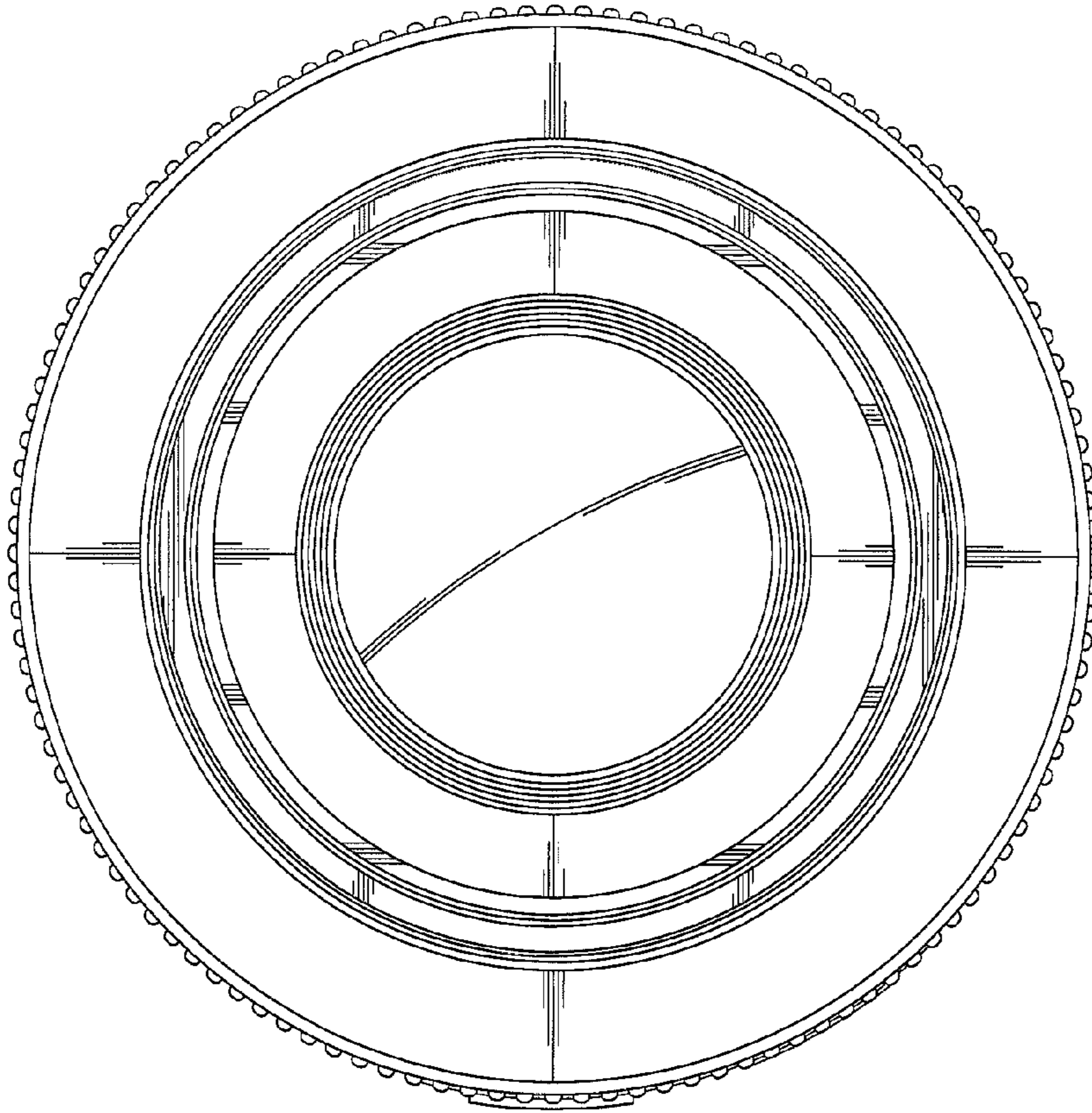


FIG.6

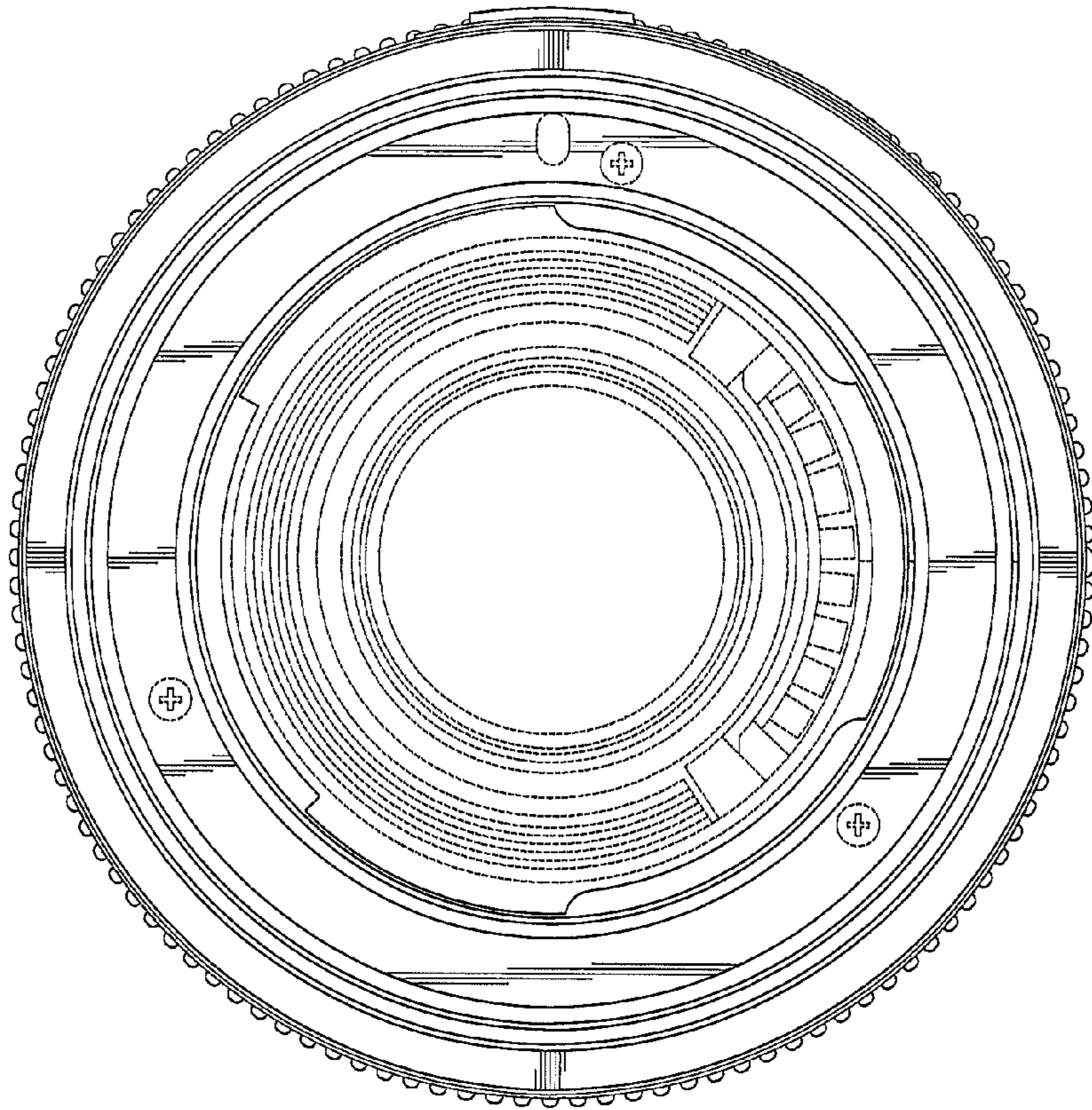


FIG.7