



US00D718361S

(12) **United States Design Patent**
Noh

(10) **Patent No.:** **US D718,361 S**
(45) **Date of Patent:** **** Nov. 25, 2014**

(54) **CAMERA LENS**
(71) Applicant: **Samsung Electronics Co., Ltd.**,
Suwon-si (KR)
(72) Inventor: **Kyung-Han Noh**, Seoul (KR)
(73) Assignee: **Samsung Electronics Co., Ltd.**, Suwon
(KR)
(**) Term: **14 Years**
(21) Appl. No.: **29/459,943**
(22) Filed: **Jul. 5, 2013**

D362,007	S	*	9/1995	Takahashi	D16/134
D375,969	S	*	11/1996	Watanabe	D16/134
D425,088	S	*	5/2000	Watanabe	D16/134
D433,044	S	*	10/2000	Nagaoka et al.	D16/134
D449,322	S	*	10/2001	Ono et al.	D16/134
D552,147	S	*	10/2007	Tajima	D16/219
D562,862	S	*	2/2008	Yasutomi	D16/134
D562,863	S	*	2/2008	Yasutomi	D16/134
D562,864	S	*	2/2008	Yasutomi	D16/134
D562,865	S	*	2/2008	Yasutomi	D16/134
7,625,144	B2	*	12/2009	Kranz et al.	396/529
8,011,839	B2	*	9/2011	Furuyama et al.	396/505
8,414,204	B2	*	4/2013	Kim	396/530
D696,709	S	*	12/2013	Sato	D16/219
2013/0021687	A1	*	1/2013	Santo et al.	359/827

* cited by examiner

(30) **Foreign Application Priority Data**
Jan. 5, 2013 (KR) 30-2013-0000774
(51) **LOC (10) Cl.** **16-05**
(52) **U.S. Cl.**
USPC **D16/219**
(58) **Field of Classification Search**
CPC G03B 17/02; G03B 19/04; G03B 17/56;
G03B 17/04; G03B 15/03; G03B 17/14;
H04N 5/2251; H04N 5/2252; H04N 5/2253;
H04N 5/2254; G02B 7/02; G02B 7/04;
G02B 7/14
USPC D16/134, 136, 200, 202-205, 218, 219,
D16/242; 348/373-376; 359/826-828;
396/505, 529-532, 535, 539-541
See application file for complete search history.

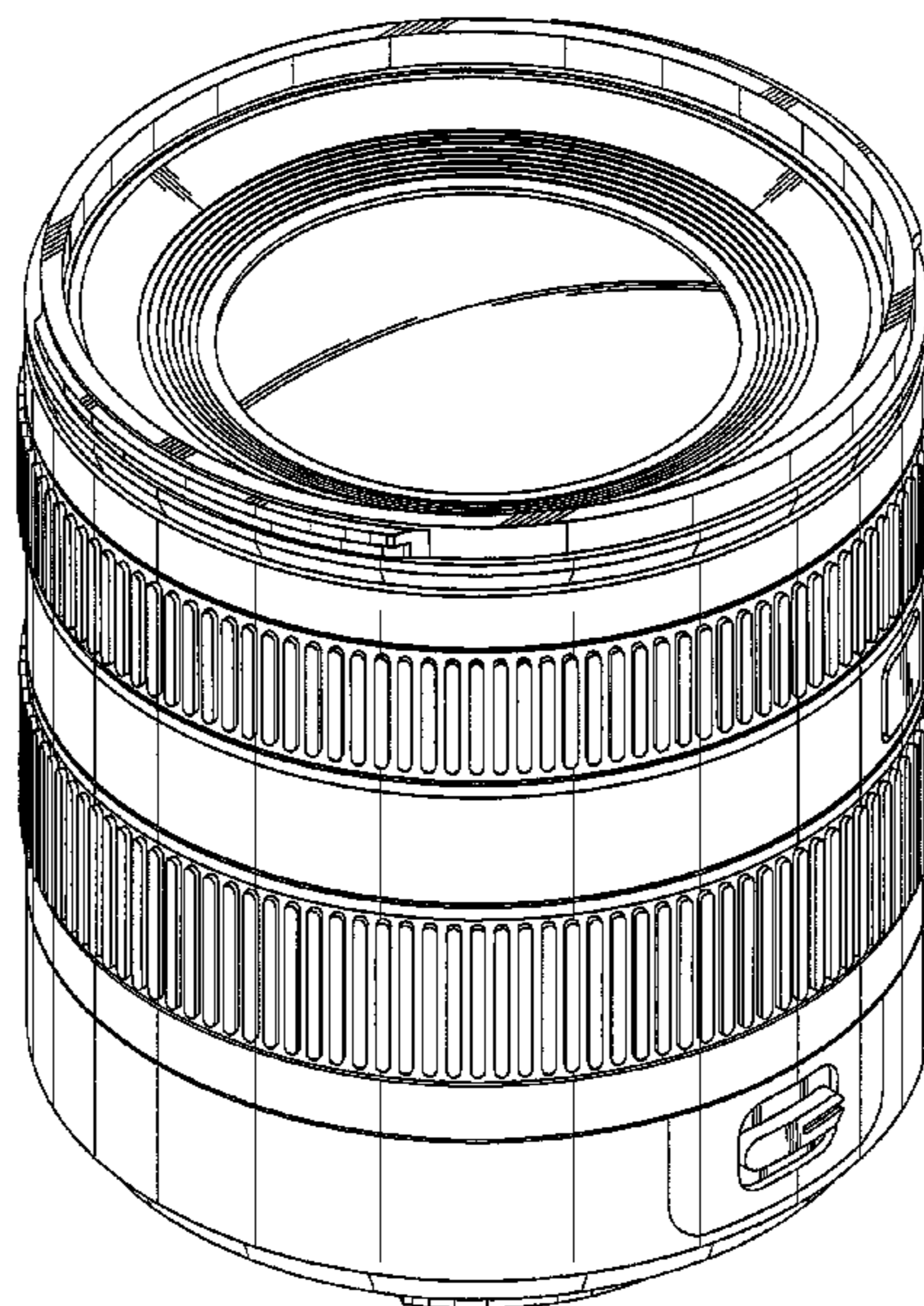
Primary Examiner — Adir Aronovich
Assistant Examiner — Ramzi Almatrahi
(74) *Attorney, Agent, or Firm* — Staas & Halsey LLP

(56) **References Cited**
U.S. PATENT DOCUMENTS
4,063,264 A * 12/1977 Ando et al. 396/531
D302,984 S * 8/1989 Kimura et al. D16/134
D331,589 S * 12/1992 Yamamoto D16/134

(57) **CLAIM**
The ornamental design for a camera lens, as shown and described.

DESCRIPTION
FIG. 1 is a top front perspective view of a camera lens;
FIG. 2 is a front view thereof;
FIG. 3 is a rear view thereof;
FIG. 4 is a left-side view thereof;
FIG. 5 is a right-side view thereof;
FIG. 6 is a top view thereof; and,
FIG. 7 is a bottom view thereof.
The broken lines depict portions of the camera lens in which the design is embodied and form no part of the claimed design.

1 Claim, 7 Drawing Sheets



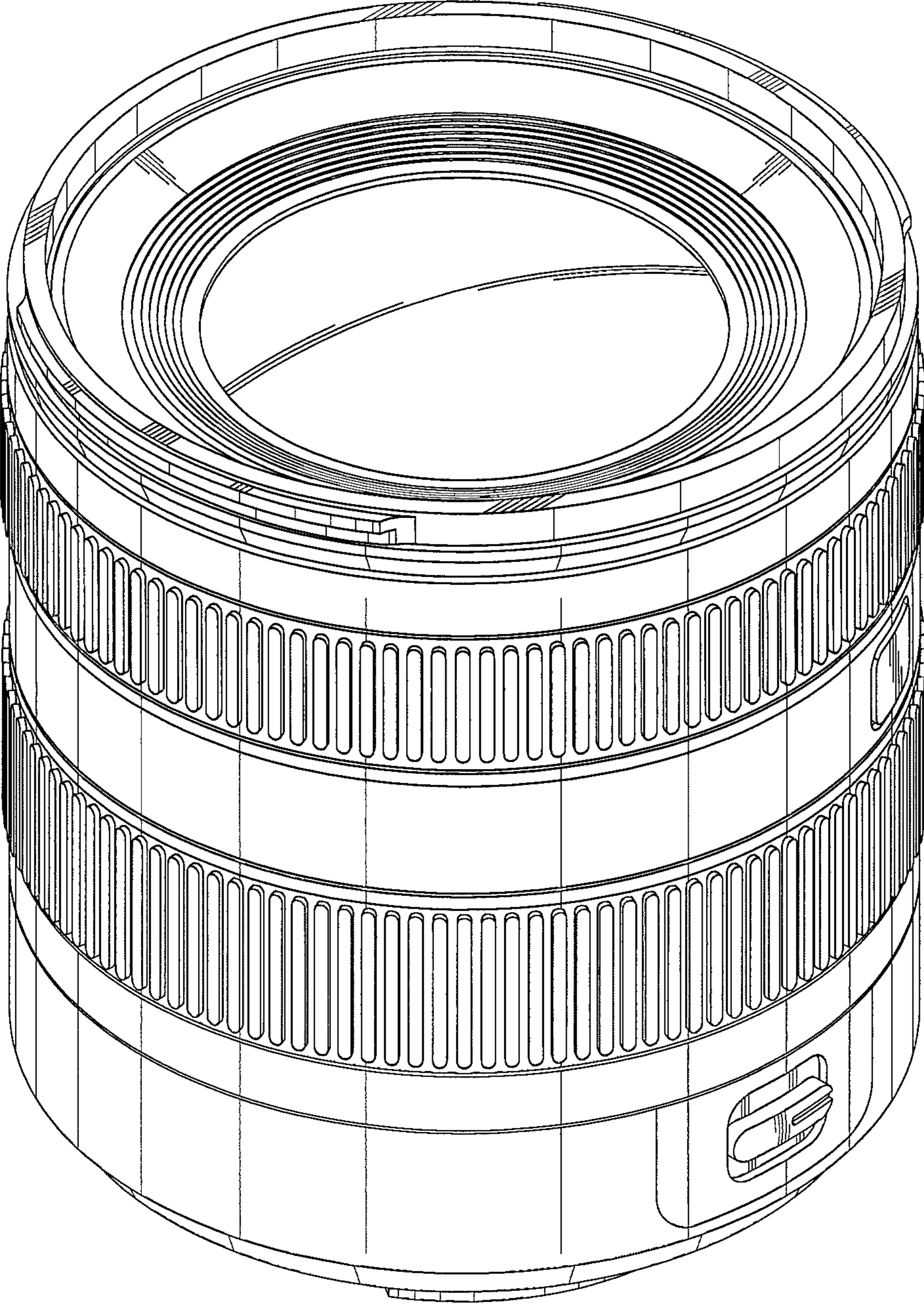


FIG.1

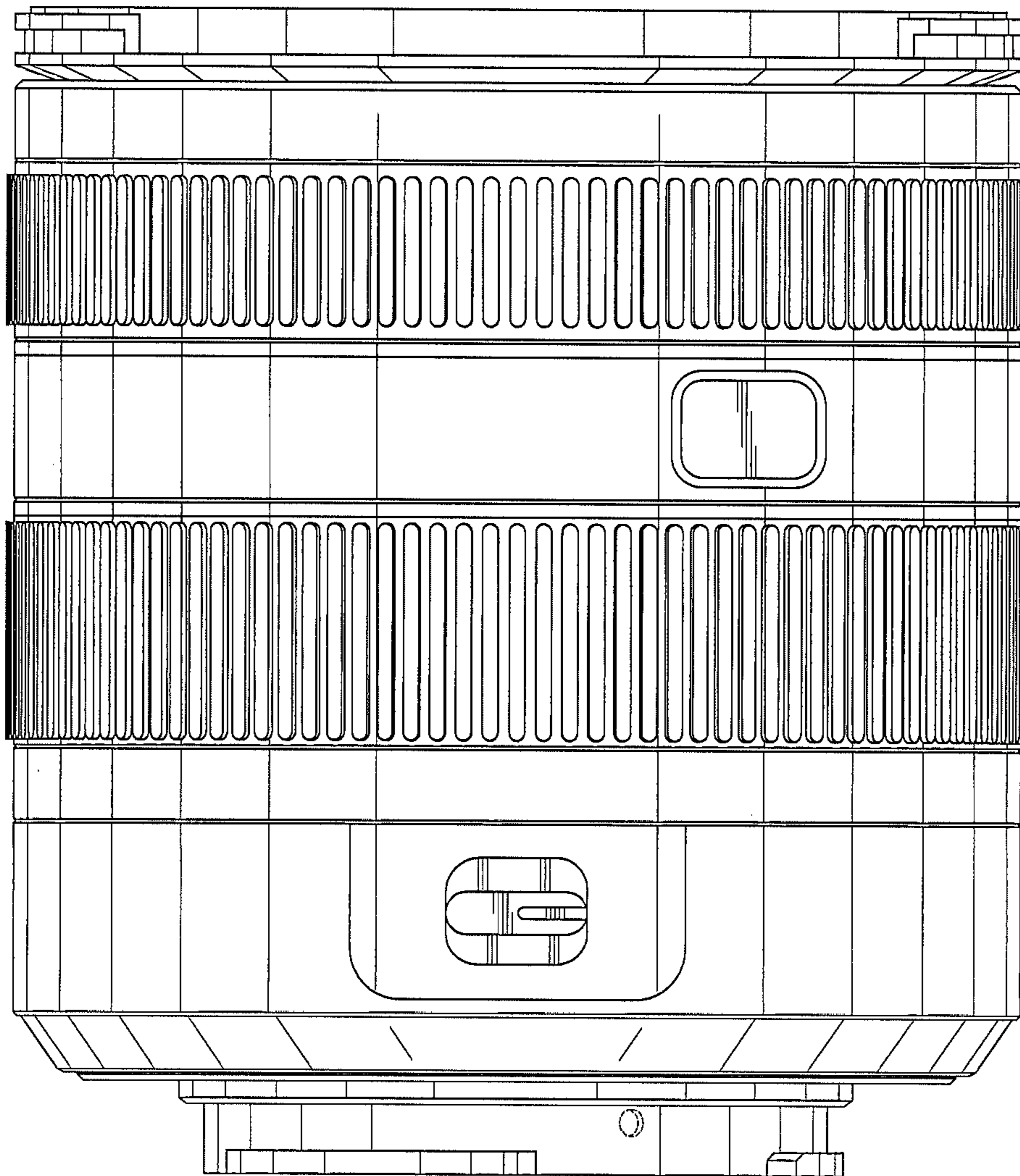


FIG.2

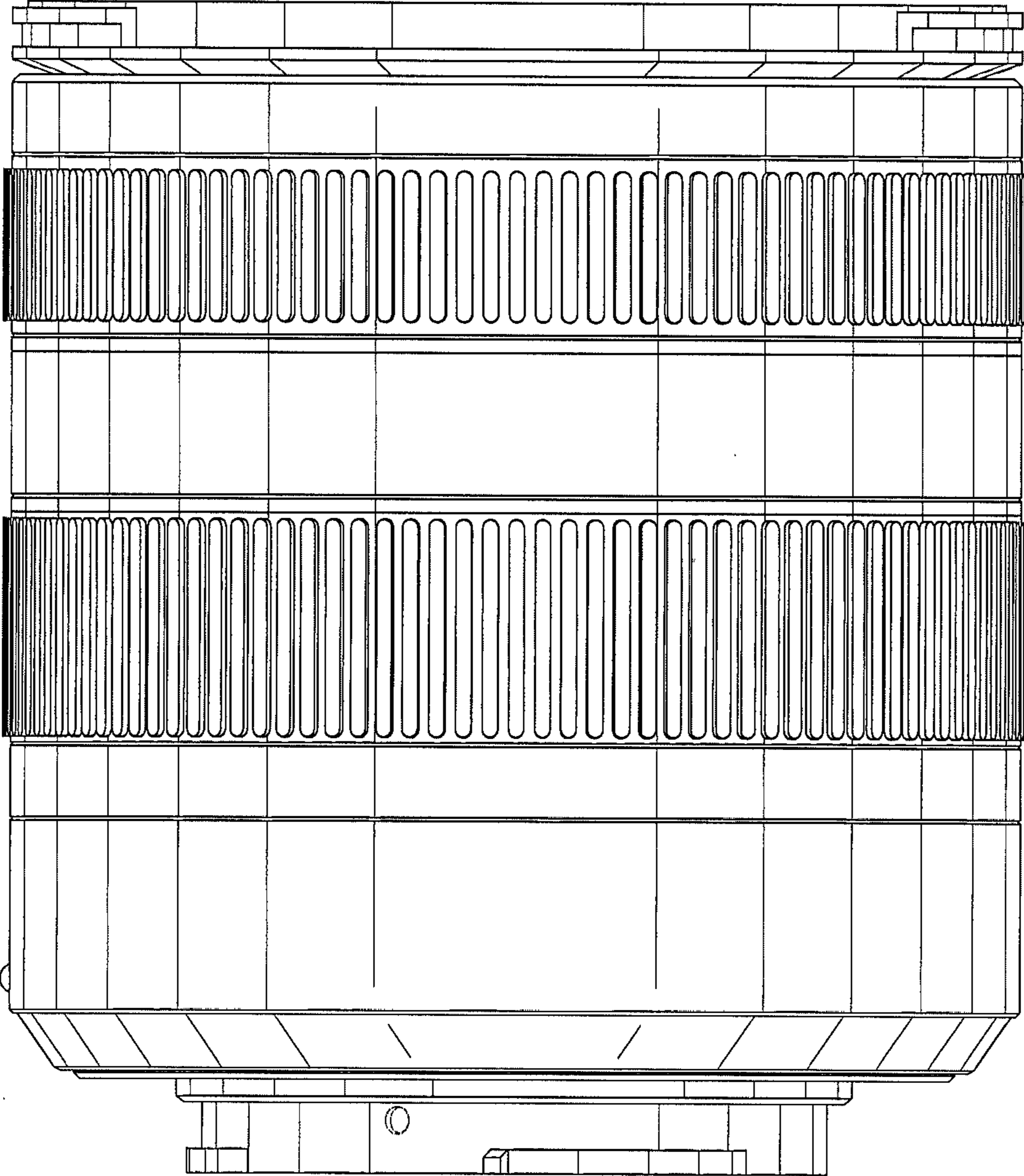


FIG.3

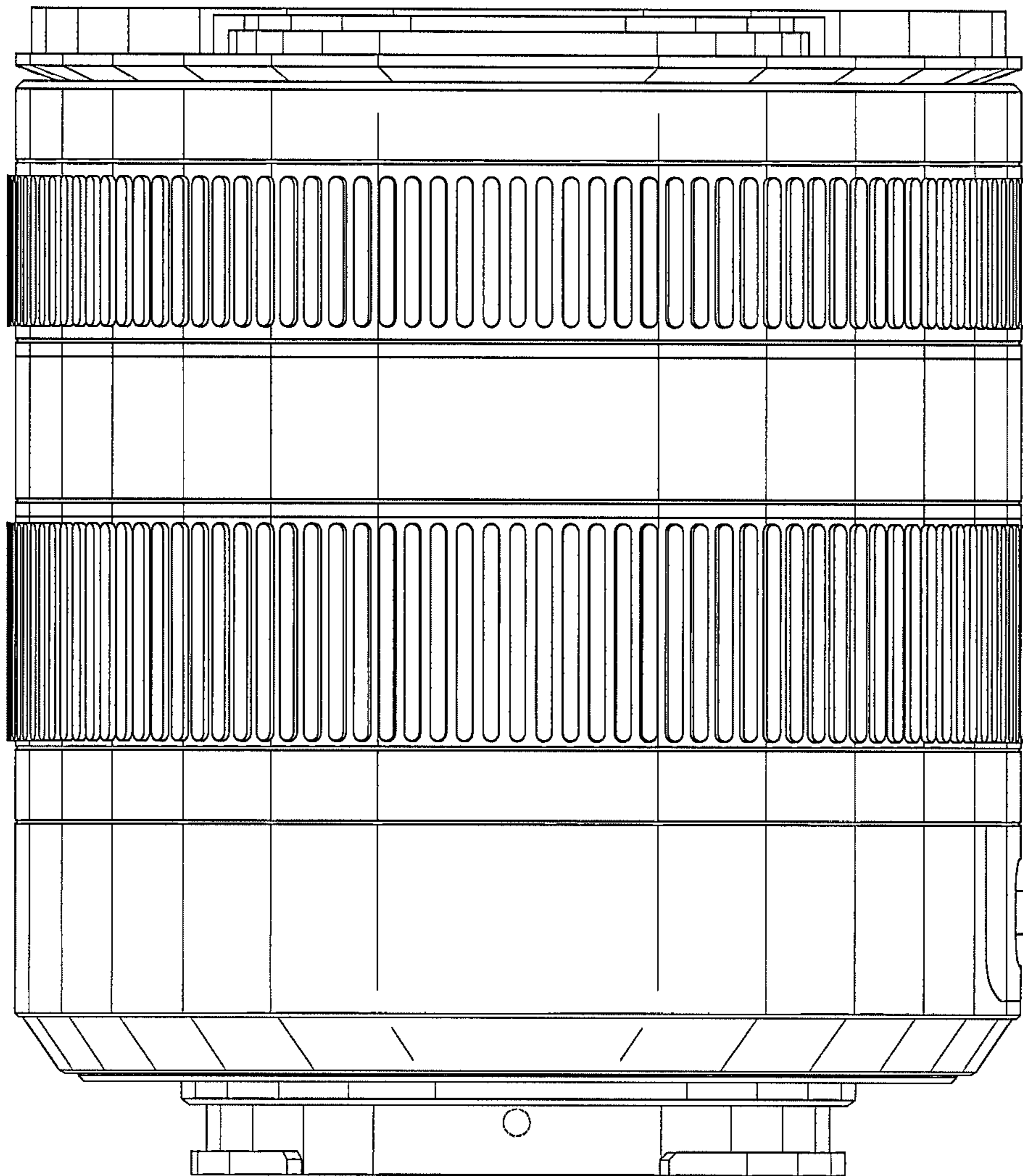


FIG.4

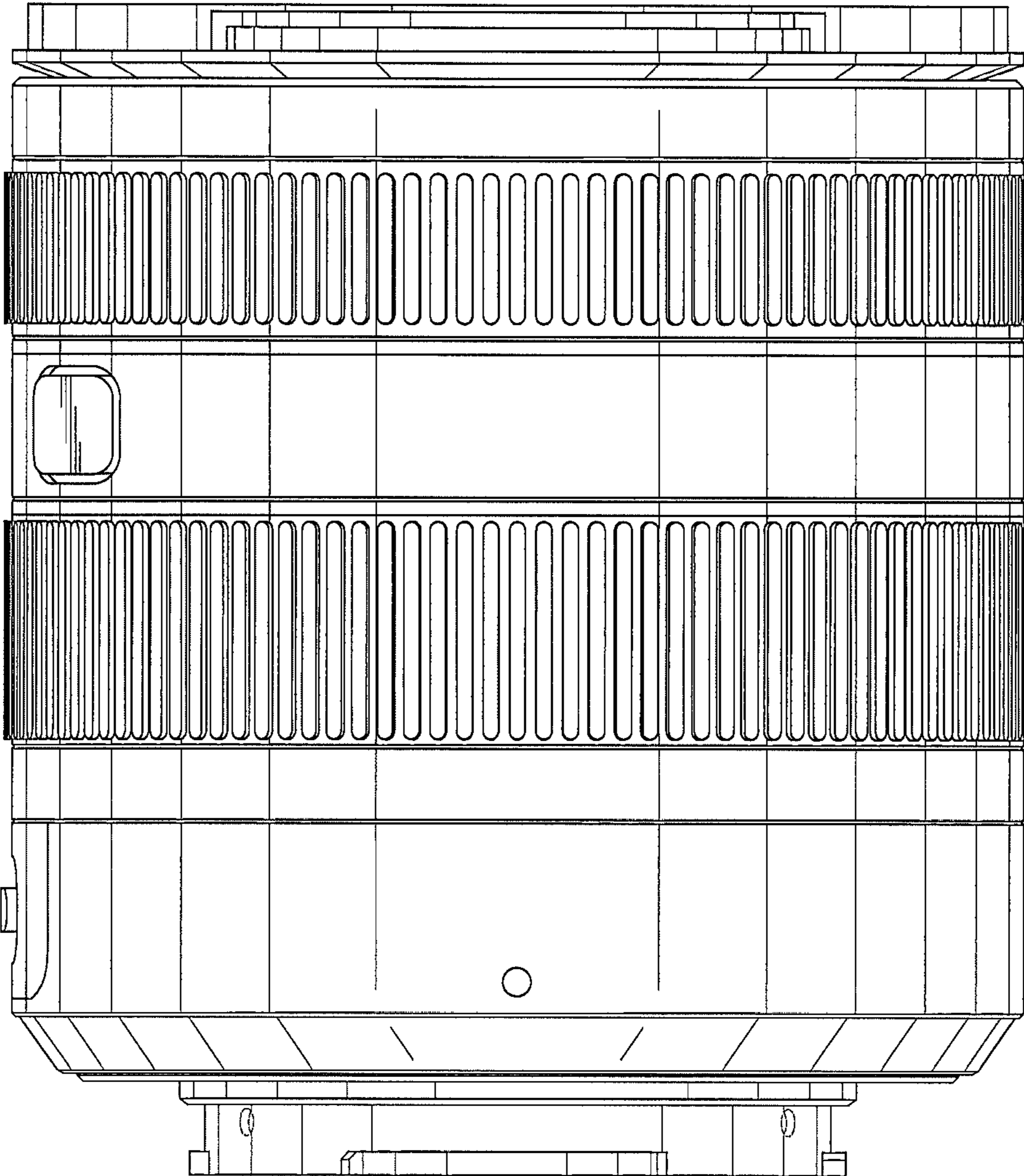


FIG.5

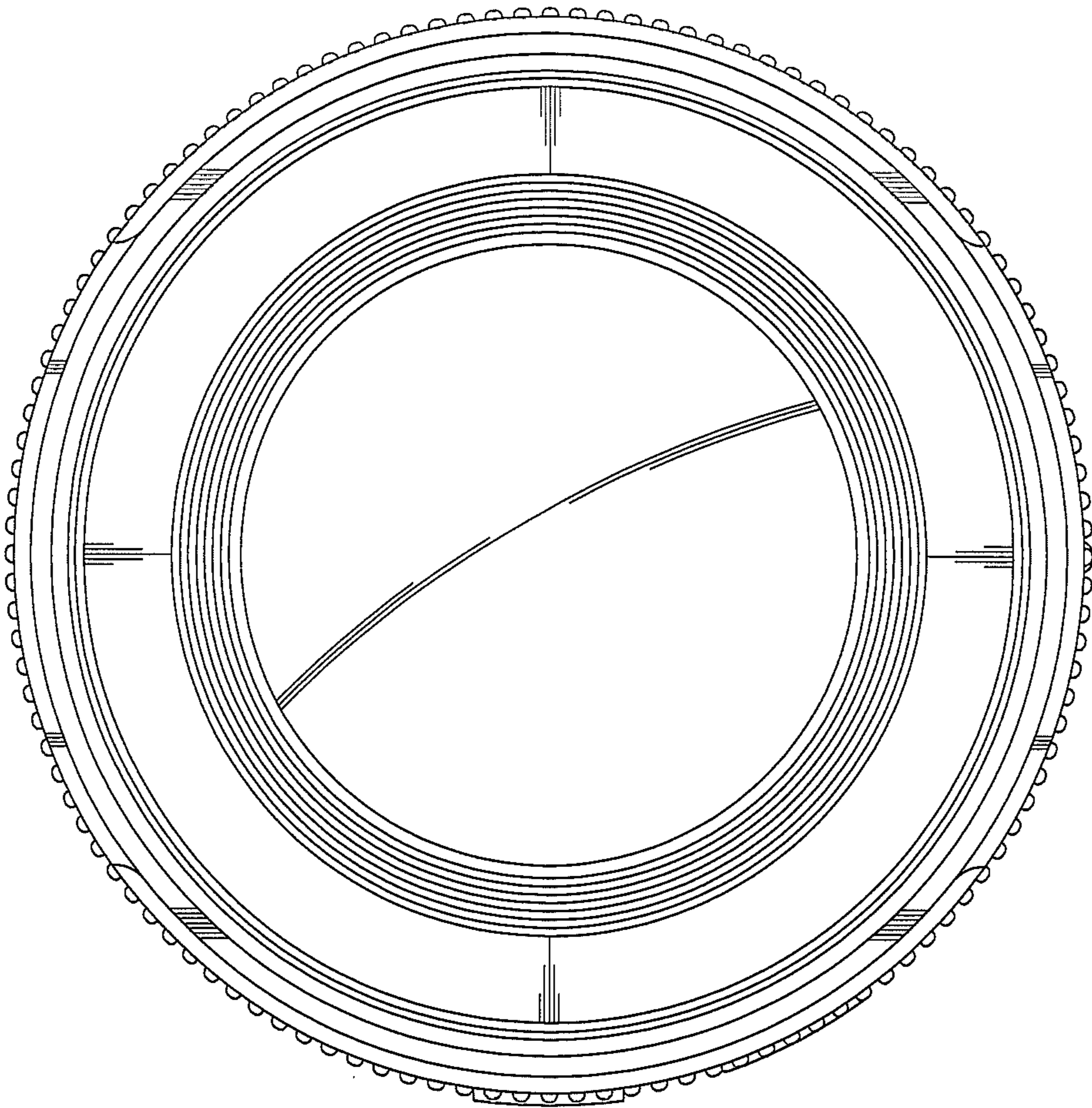


FIG.6

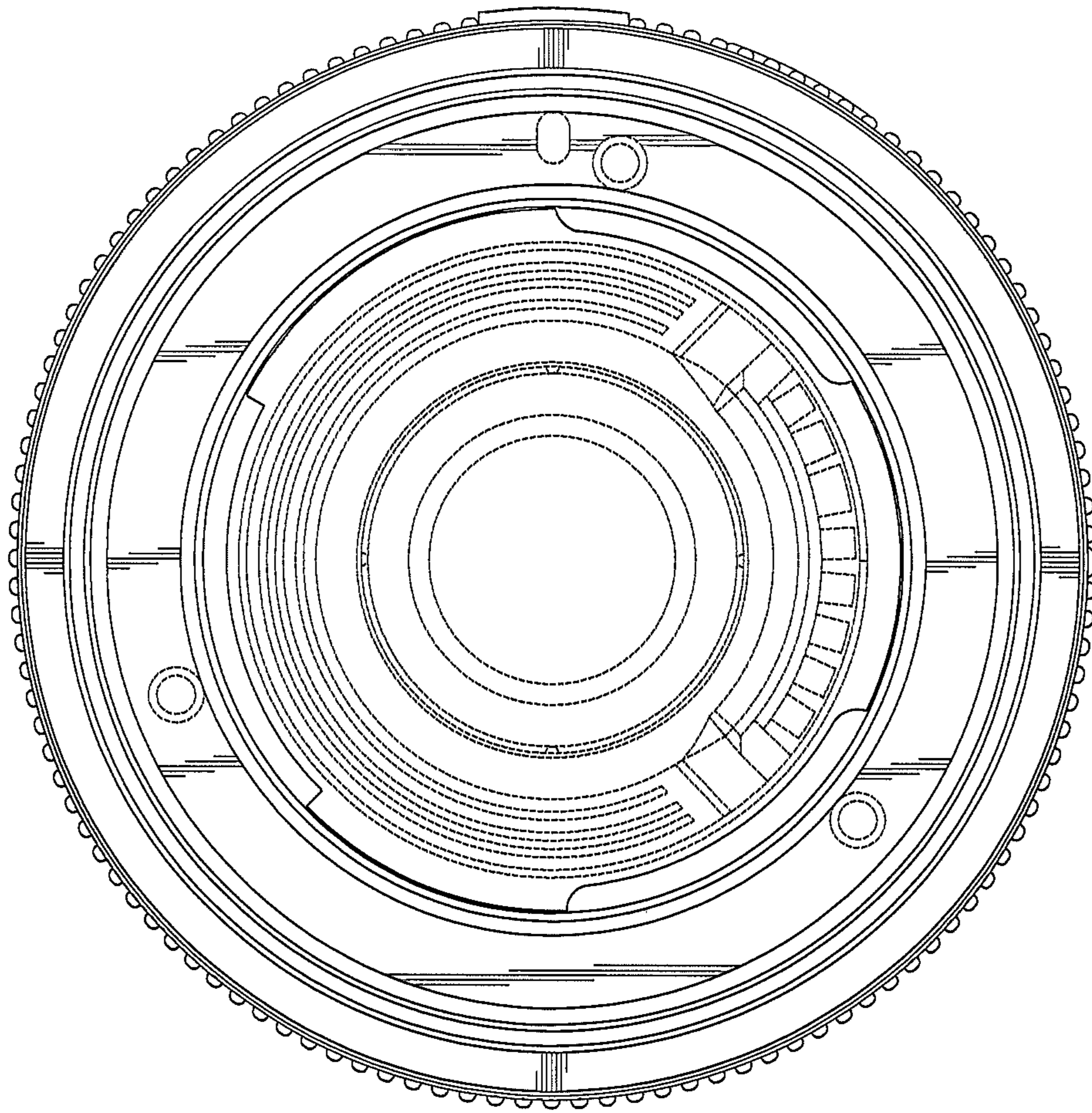


FIG.7