



US00D718359S

(12) **United States Design Patent**
Hoermann

(10) **Patent No.:** **US D718,359 S**

(45) **Date of Patent:** **** Nov. 25, 2014**

(54) **AXIAL PISTON MACHINE**

(75) Inventor: **Christian Hoermann**, Weissenhorn
(DE)

(73) Assignee: **Bosch Rexroth AG**, Lohr am Main (DE)

(**) Term: **14 Years**

(21) Appl. No.: **29/410,232**

(22) Filed: **Jan. 5, 2012**

(30) **Foreign Application Priority Data**

Jul. 8, 2011 (EM) 001888710

(51) **LOC (10) Cl.** **15-99**

(52) **U.S. Cl.**
USPC **D15/149**

(58) **Field of Classification Search**
USPC D15/1, 3, 5, 7-9, 148, 149
See application file for complete search history.

(56) **References Cited**

U.S. PATENT DOCUMENTS

6,405,634 B1 * 6/2002 Hansen 92/71
D501,860 S * 2/2005 Wanschura et al. D15/149
D502,717 S * 3/2005 Wanschura et al. D15/149
D533,205 S * 12/2006 Sinz D15/149
D543,656 S * 5/2007 Chandler D26/107
D547,774 S * 7/2007 Wanschura et al. D15/5

D553,654 S * 10/2007 Betz D15/148
D673,596 S * 1/2013 Schultheiss et al. D15/149
D686,650 S * 7/2013 Schultheiss et al. D15/149
2006/0269421 A1 * 11/2006 Sakikawa et al. 417/53
2011/0252958 A1 * 10/2011 Spielvogel et al. 92/12.2

* cited by examiner

Primary Examiner — Patricia Palasik

(74) *Attorney, Agent, or Firm* — Maginot, Moore & Beck
LLP

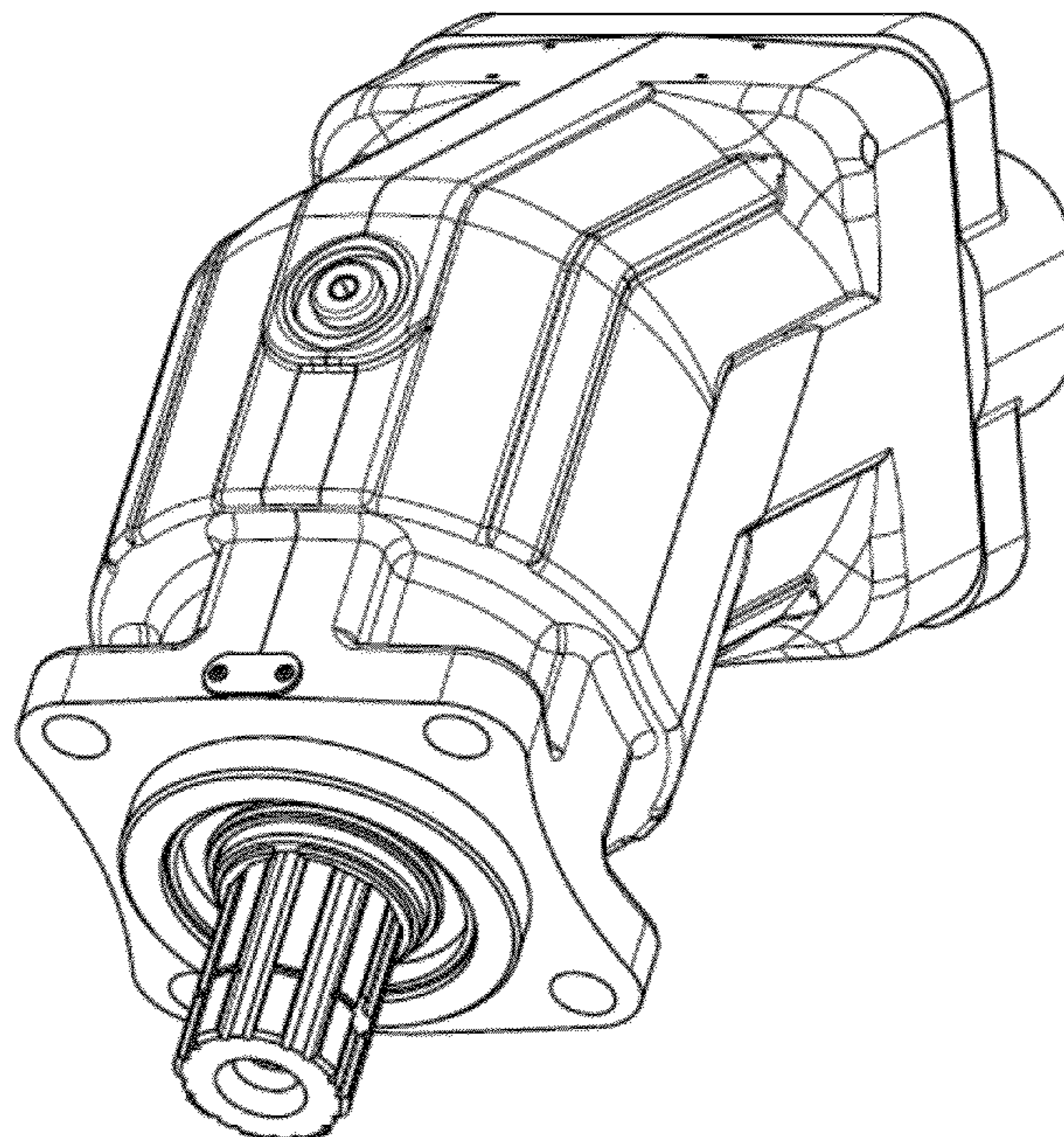
(57) **CLAIM**

The ornamental design for an axial piston machine, as shown
and described.

DESCRIPTION

FIG. 1 is a perspective view of an axial piston machine show-
ing my new design;
FIG. 2 is a right side elevational view showing the design for
the axial piston machine of FIG. 1;
FIG. 3 is a left side elevational view showing the design for
the axial piston machine of FIG. 1;
FIG. 4 is a top plan view showing the design for the axial
piston machine of FIG. 1;
FIG. 5 is a bottom plan view showing the design for the axial
piston machine of FIG. 1;
FIG. 6 is a front elevational view showing the design for the
axial piston machine of FIG. 1; and,
FIG. 7 is a rear elevational view showing the design for the
axial piston machine of FIG. 1.

1 Claim, 7 Drawing Sheets



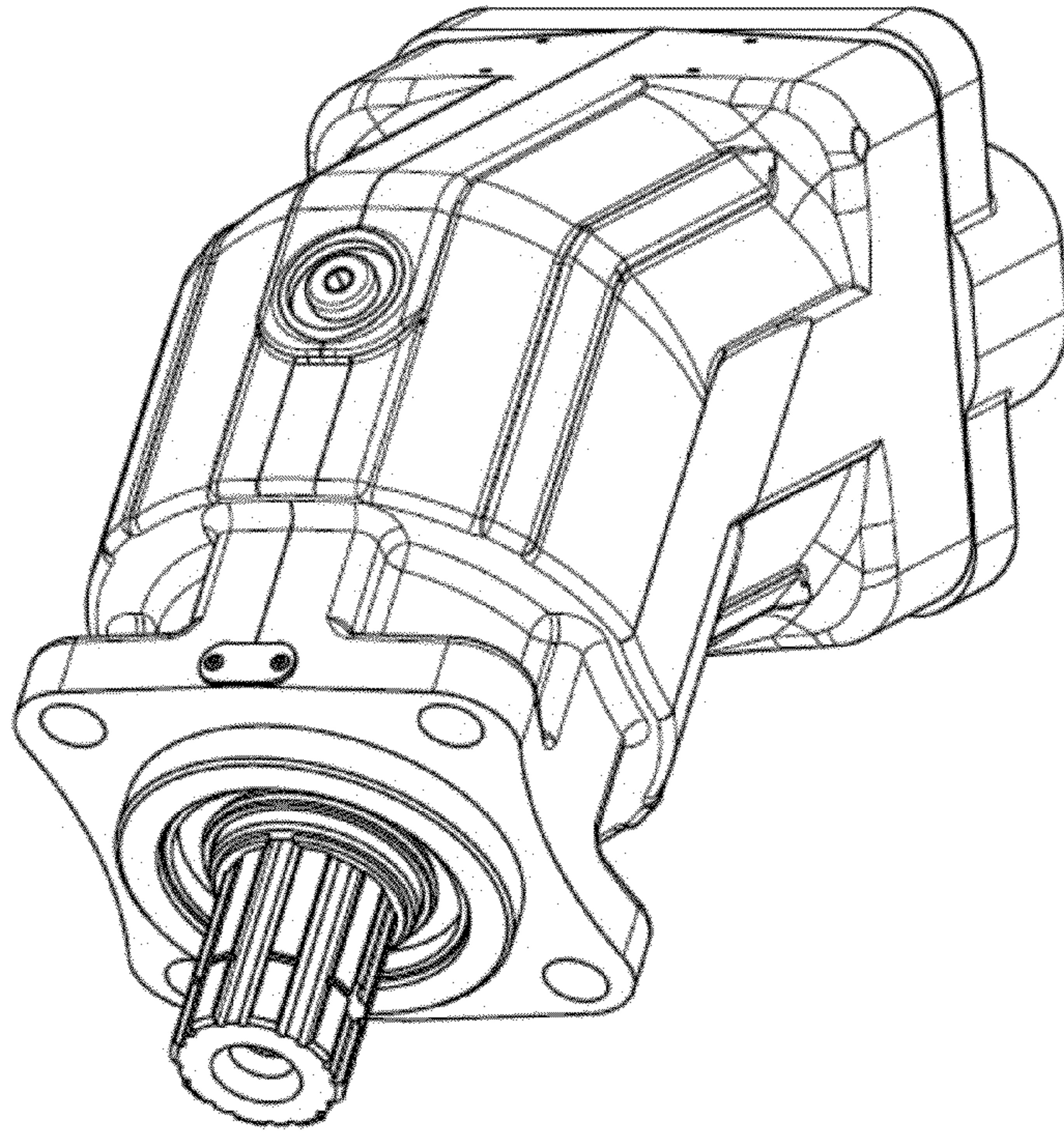


Fig. 1

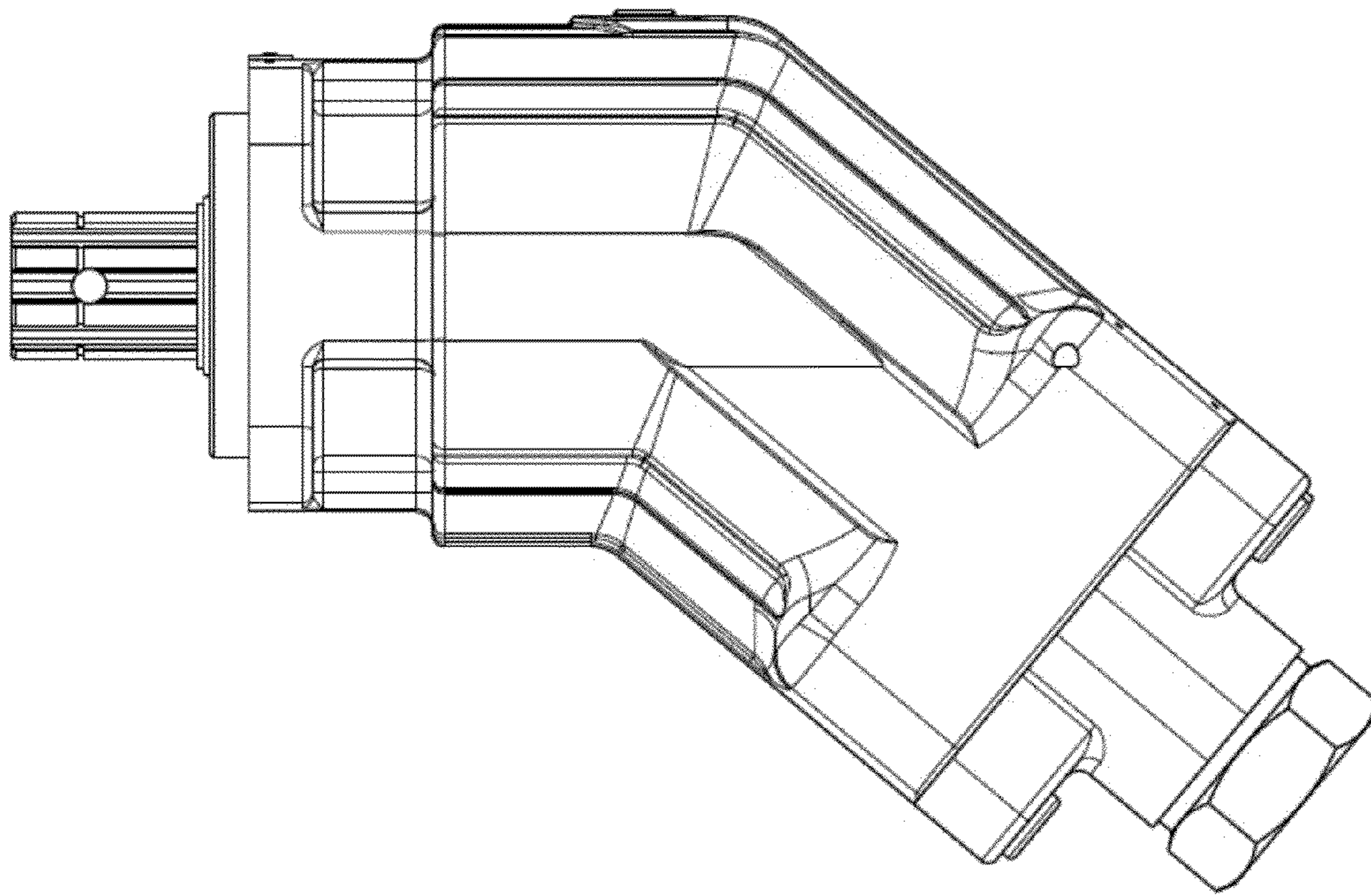


Fig. 2

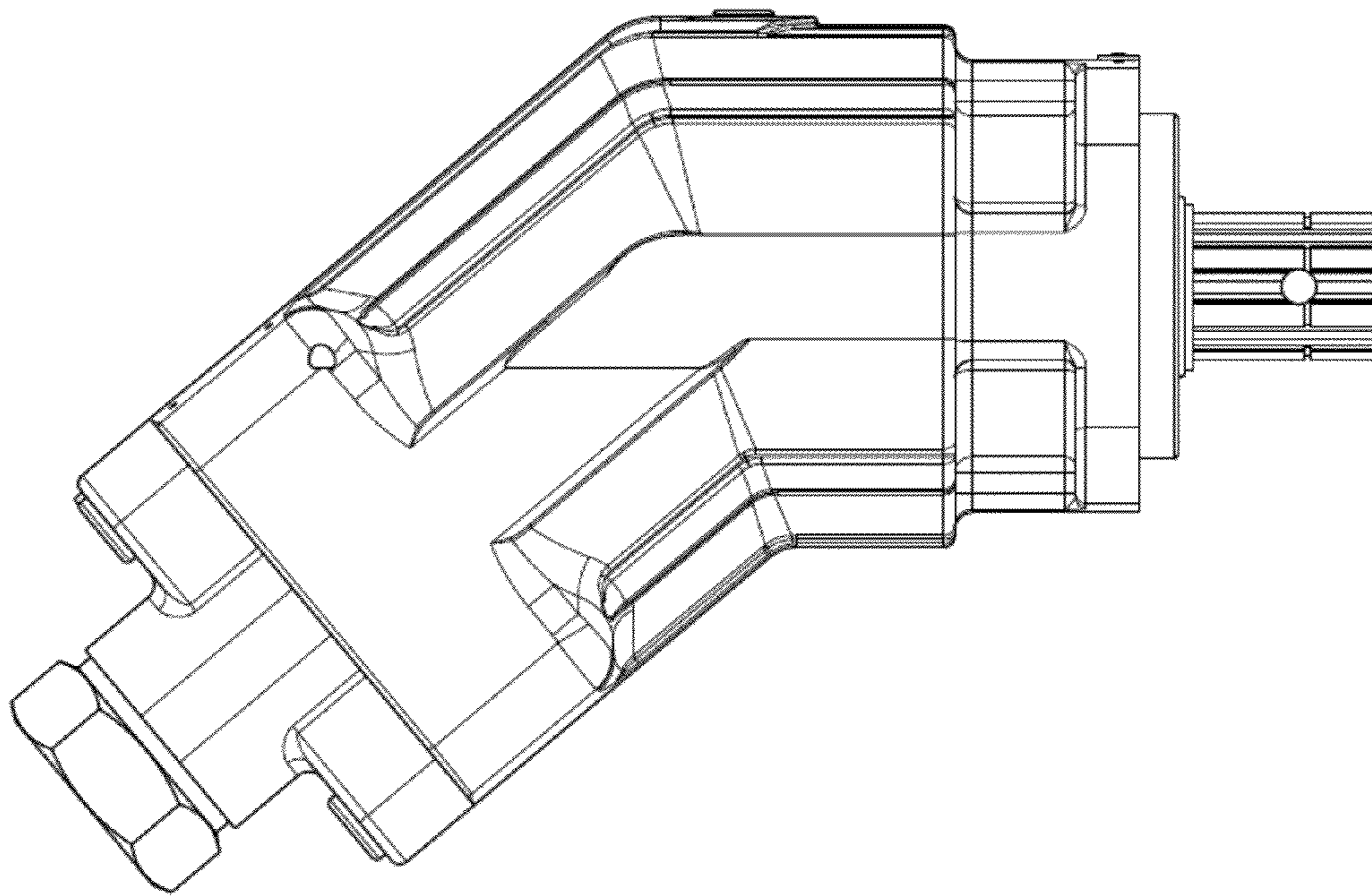


Fig. 3

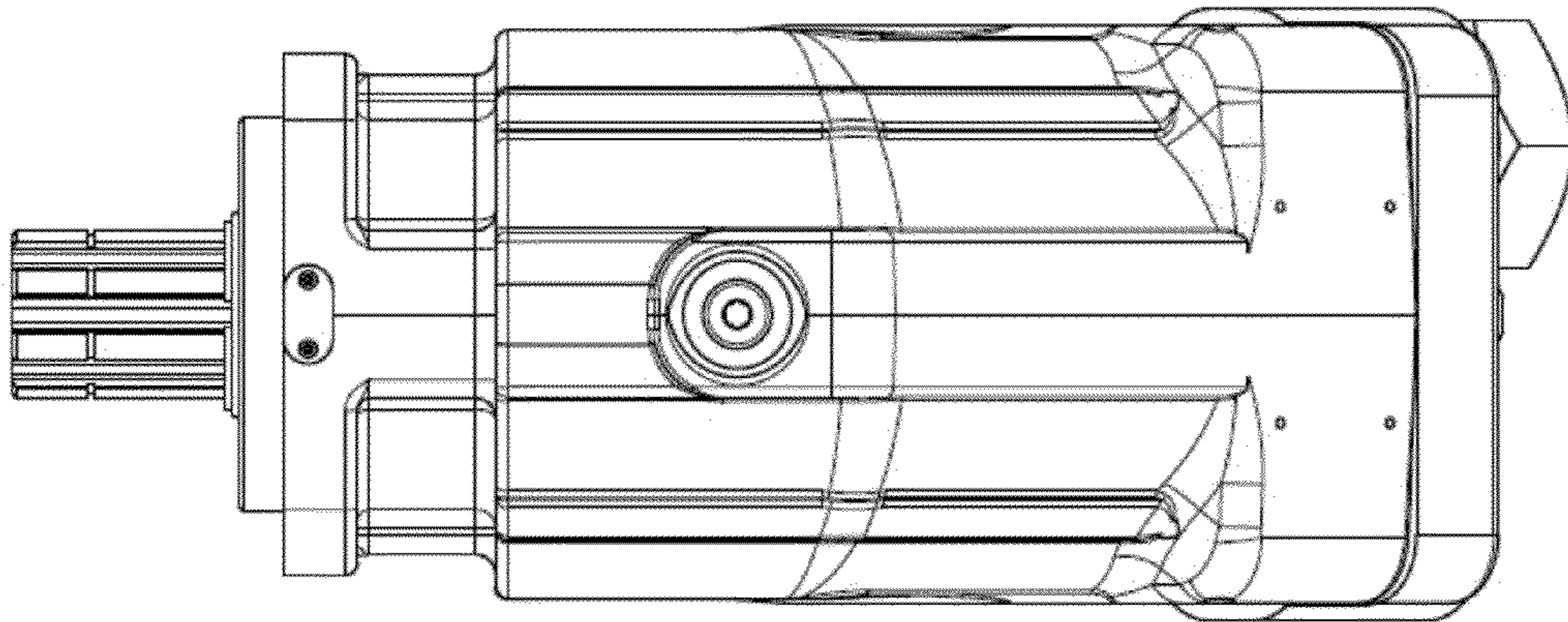


Fig. 4

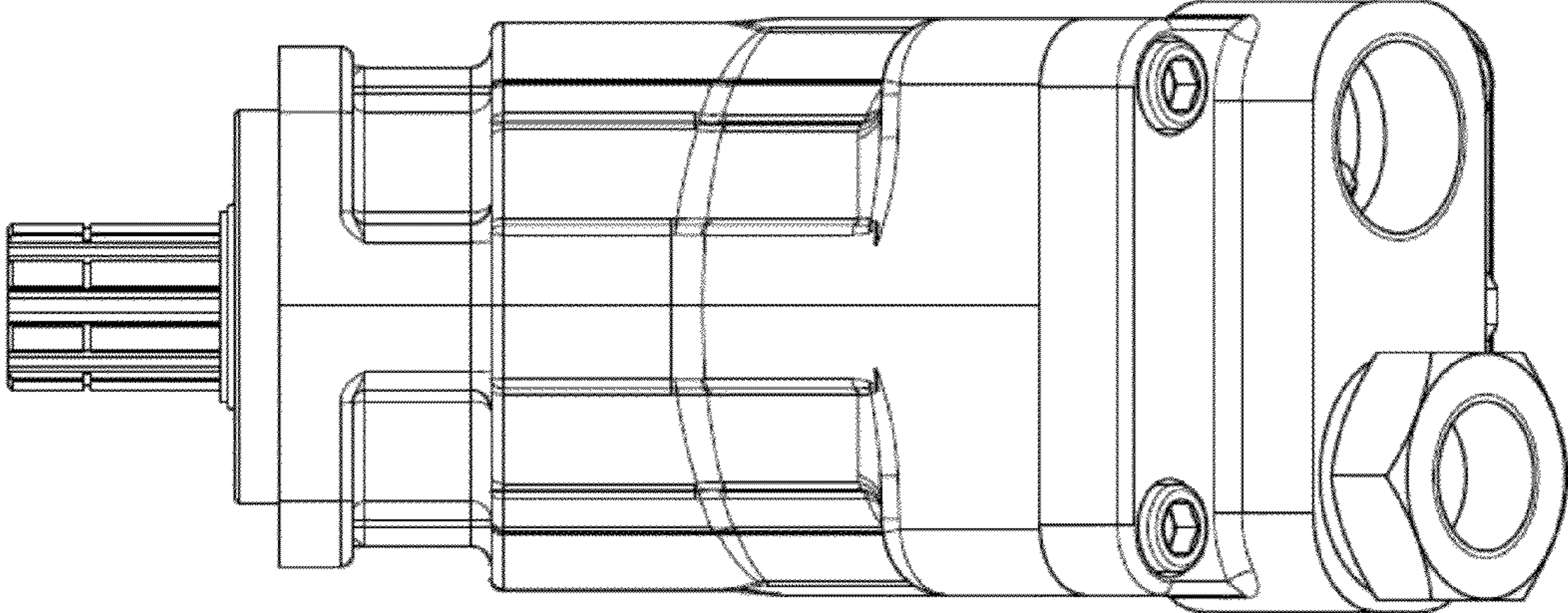


Fig. 5

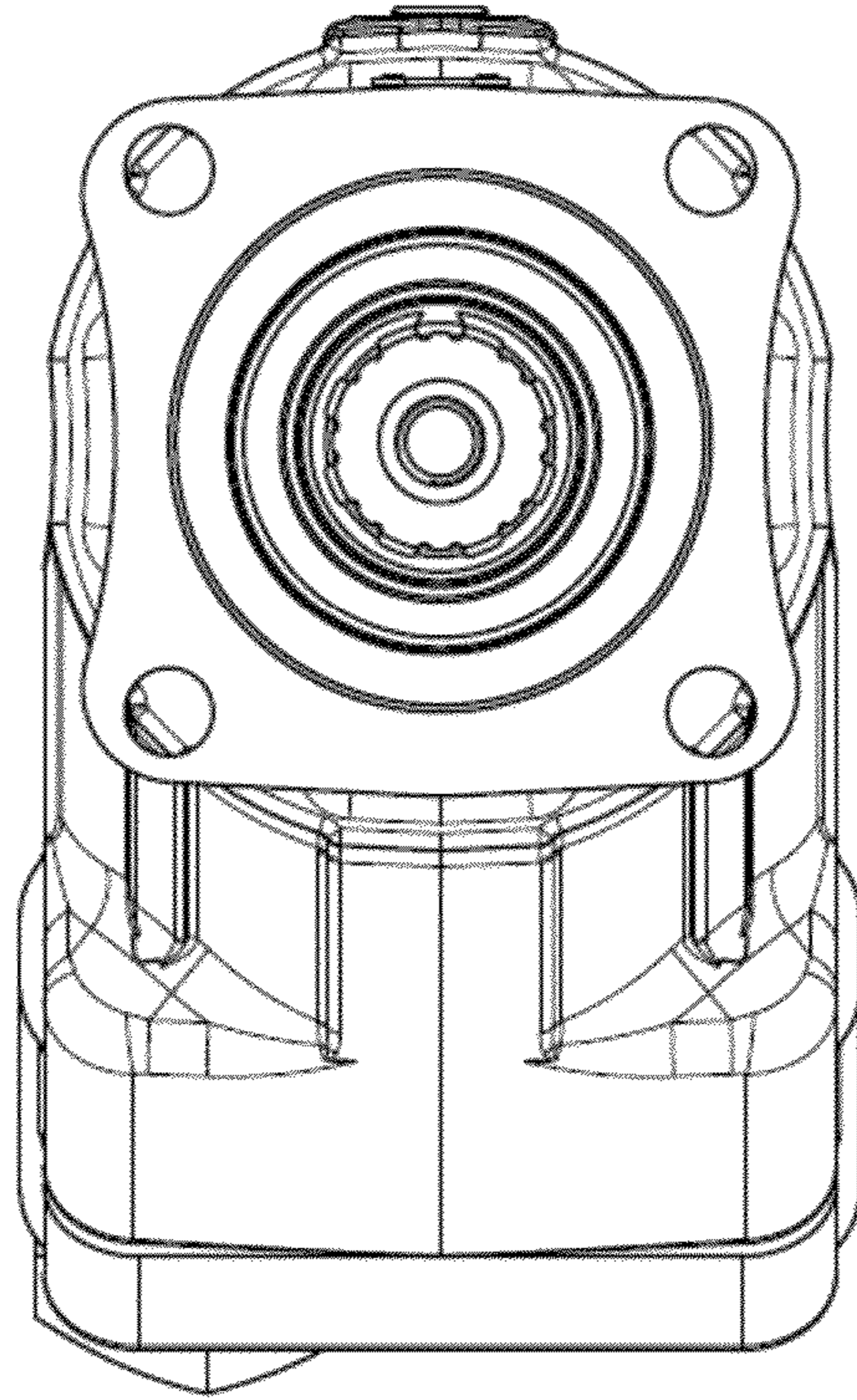


Fig. 6

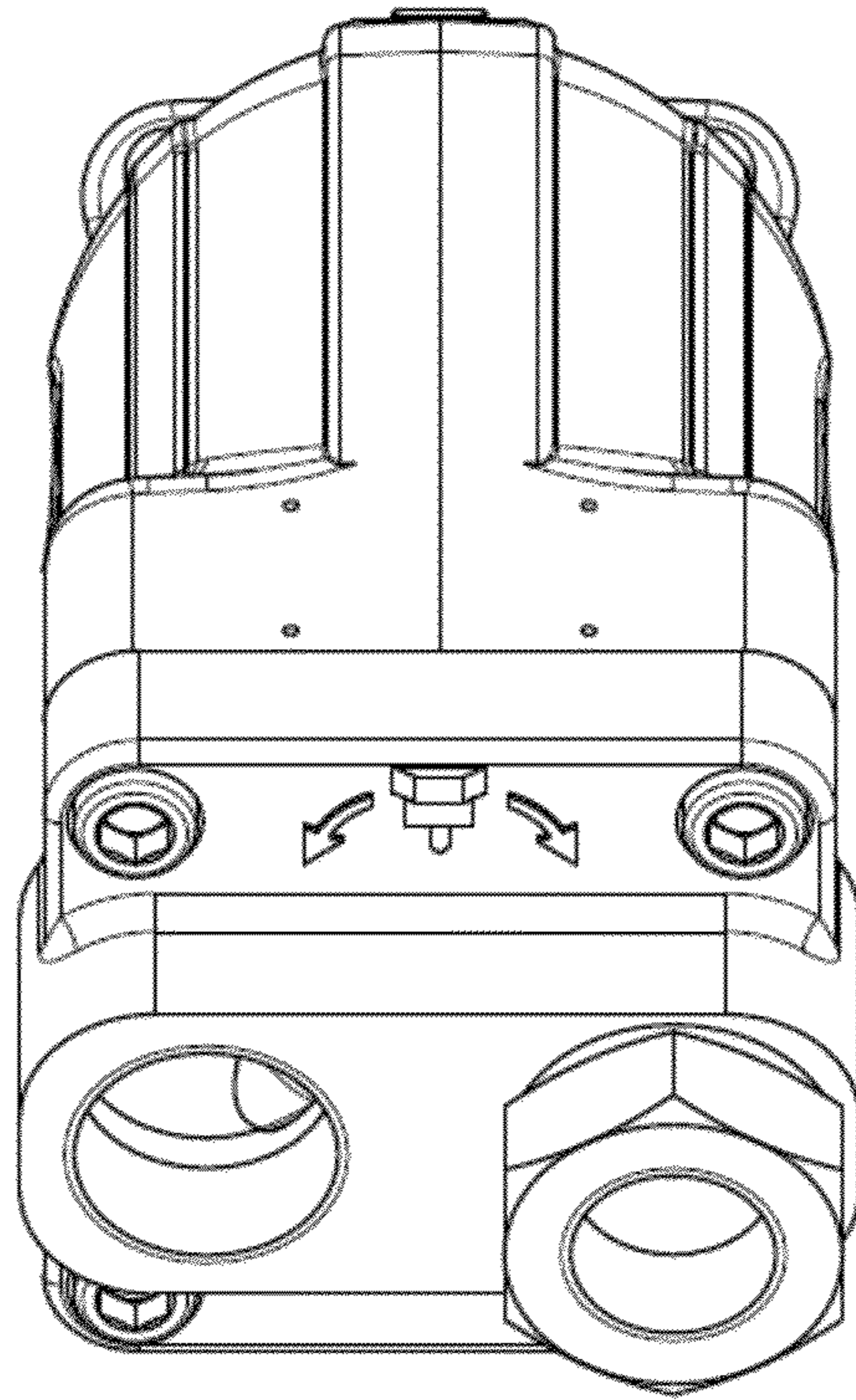


Fig. 7