



US00D718358S

(12) **United States Design Patent**
McKinley

(10) **Patent No.:** **US D718,358 S**

(45) **Date of Patent:** **** Nov. 25, 2014**

(54) **TORCH**

(71) Applicant: **Jody A. McKinley**, Mount Vernon, OH (US)

(72) Inventor: **Jody A. McKinley**, Mount Vernon, OH (US)

(73) Assignee: **Worthington Cylinder Corporation**, Columbus, OH (US)

(**) Term: **14 Years**

(21) Appl. No.: **29/484,563**

(22) Filed: **Mar. 11, 2014**

Related U.S. Application Data

(63) Continuation of application No. 29/450,049, filed on Mar. 15, 2013, now Pat. No. Des. 703,250.

(51) **LOC (10) Cl.** **15-09**

(52) **U.S. Cl.**
USPC **D15/144.2; D8/30**

(58) **Field of Classification Search**
USPC D8/29.1, 29.2, 30, 54; D15/144, 144.1, D15/144.2; 219/70, 138, 139, 140, 141, 219/142, 143, 144; 431/153, 255, 266, 344, 431/345, 353
See application file for complete search history.

(56) **References Cited**

U.S. PATENT DOCUMENTS

3,574,506	A *	4/1971	Locke	431/349
D264,301	S *	5/1982	Miller	D8/30
D297,704	S *	9/1988	Bulow	D15/144
D329,971	S *	10/1992	Pryor	D8/30
D335,804	S *	5/1993	Burgin	D8/30
D343,629	S *	1/1994	Bode	D15/144
D346,390	S *	4/1994	Sperling et al.	D15/144
D382,500	S *	8/1997	Johnson et al.	D10/96
D407,727	S *	4/1999	Kunz	D15/144

6,225,599	B1 *	5/2001	Altekruse	219/137.31
D456,428	S *	4/2002	Aronson et al.	D15/144
6,815,641	B2 *	11/2004	Doherty	219/137.31
D514,606	S *	2/2006	Picaza	D15/144.2
D537,092	S *	2/2007	Owens	D15/144
7,244,909	B2 *	7/2007	Kensrue et al.	219/137.31
D555,446	S *	11/2007	Picaza Ibarrodo	D8/30
D578,849	S *	10/2008	Whited et al.	D8/30
D587,975	S *	3/2009	Aronson et al.	D8/29.1
D594,300	S *	6/2009	Picaza Ibarrodo	D8/29.1
D615,573	S *	5/2010	Peters et al.	D15/144
2010/0012637	A1 *	1/2010	Jaeger	219/136
2010/0261129	A1 *	10/2010	Lin	431/344

* cited by examiner

Primary Examiner — Patricia Palasik

(74) *Attorney, Agent, or Firm* — Hasse & Nesbitt; W. Charles Ehlers; Daniel F. Nesbitt

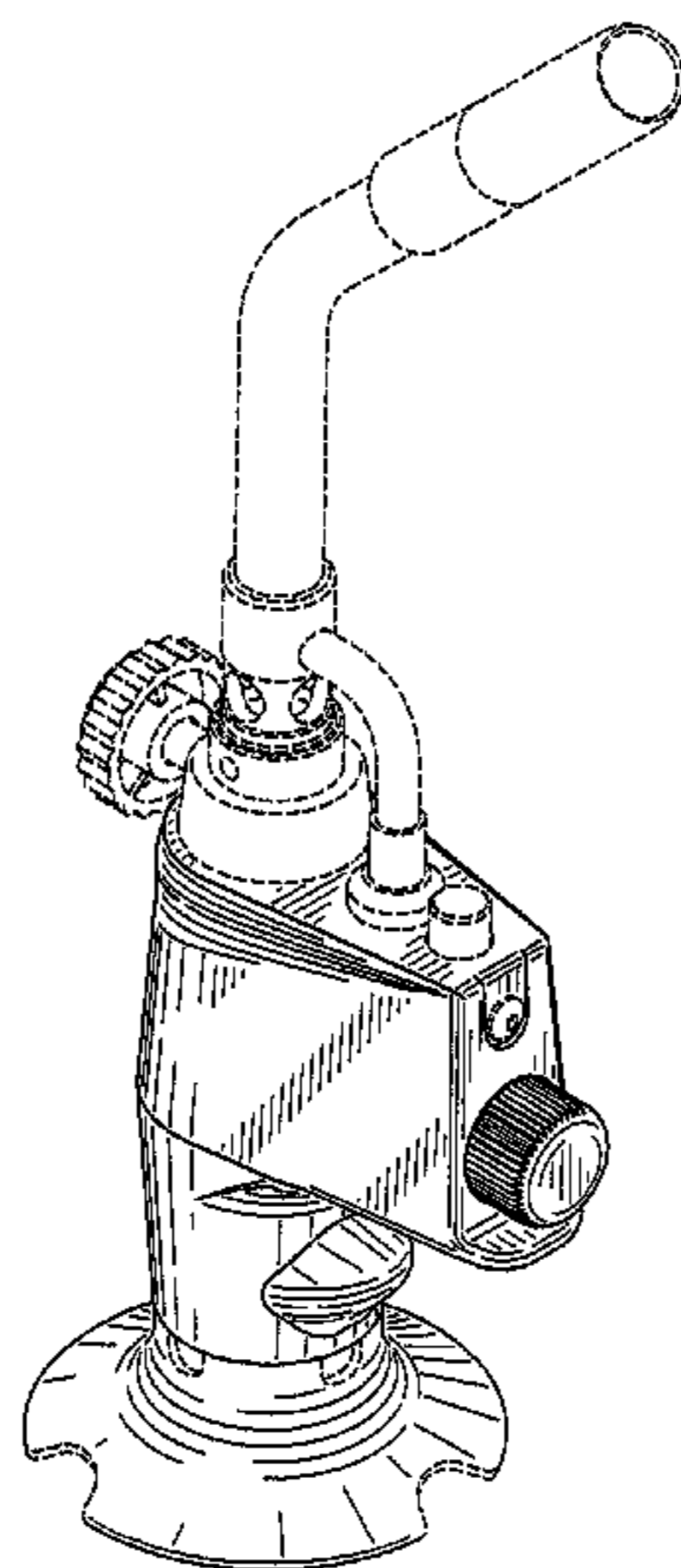
(57) **CLAIM**

I claim the ornamental design for a torch, as shown and described.

DESCRIPTION

FIG. 1 is a top perspective view of the torch;
FIG. 2 is a front elevational view thereof;
FIG. 3 is a back elevational view thereof;
FIG. 4 is a left side elevational view thereof;
FIG. 5 is a right side elevational view thereof;
FIG. 6 is a top plan view thereof;
FIG. 7 is a bottom plan view thereof;
FIG. 8 is a perspective view of a second embodiment of the torch;
FIG. 9 is a front elevational view thereof;
FIG. 10 is a back elevational view thereof;
FIG. 11 is a left side elevational view thereof;
FIG. 12 is a right side elevational view thereof;
FIG. 13 is a top plan view thereof; and,
FIG. 14 is a bottom plan view thereof.
The broken lines shown in the drawings are for illustrative purposes only and form no part of the claimed design.

1 Claim, 10 Drawing Sheets



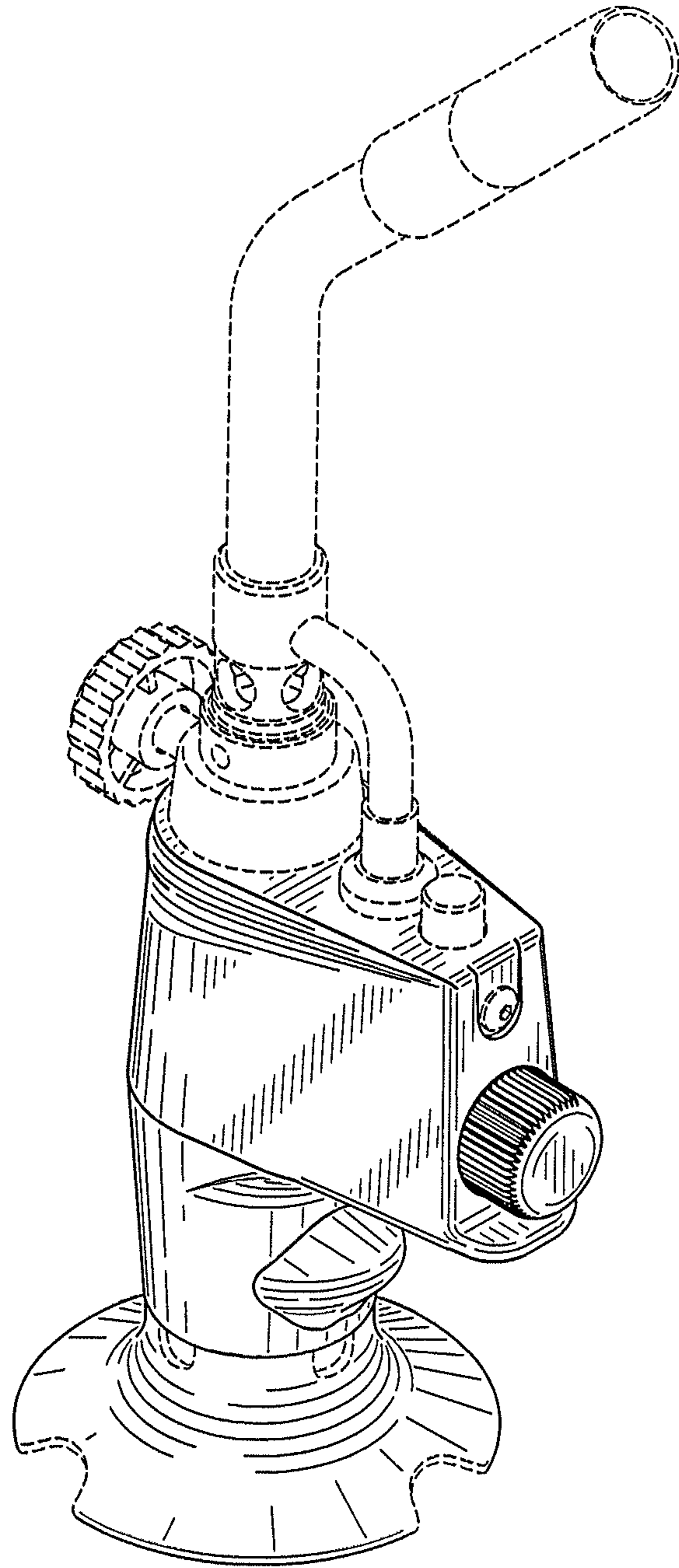


FIG. 1

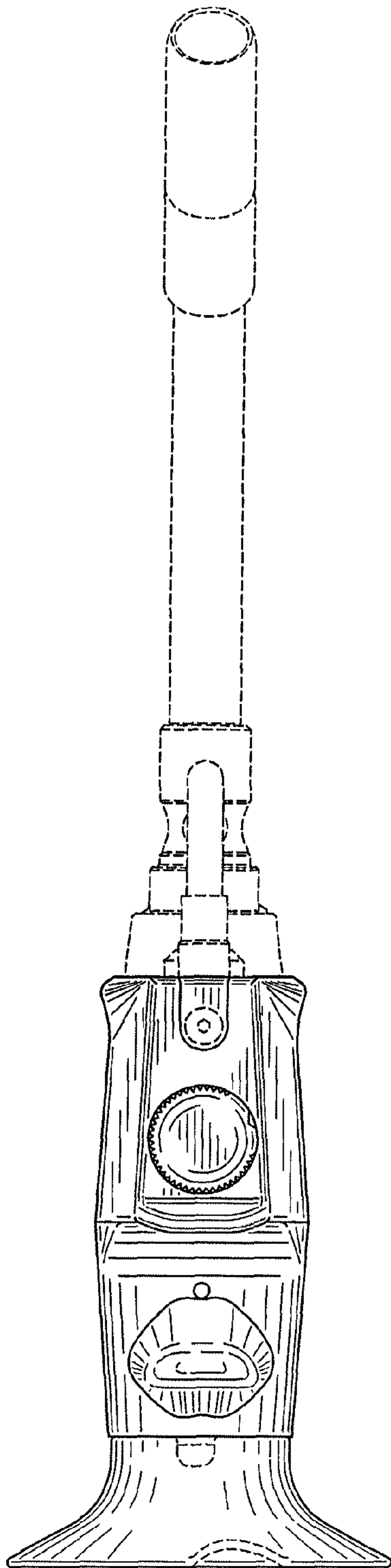


FIG. 2

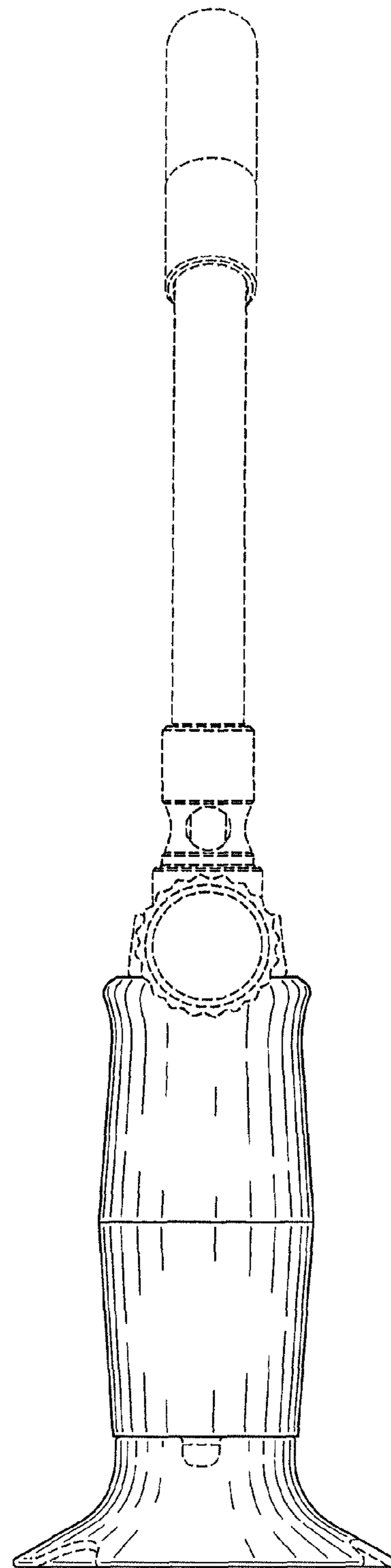


FIG. 3

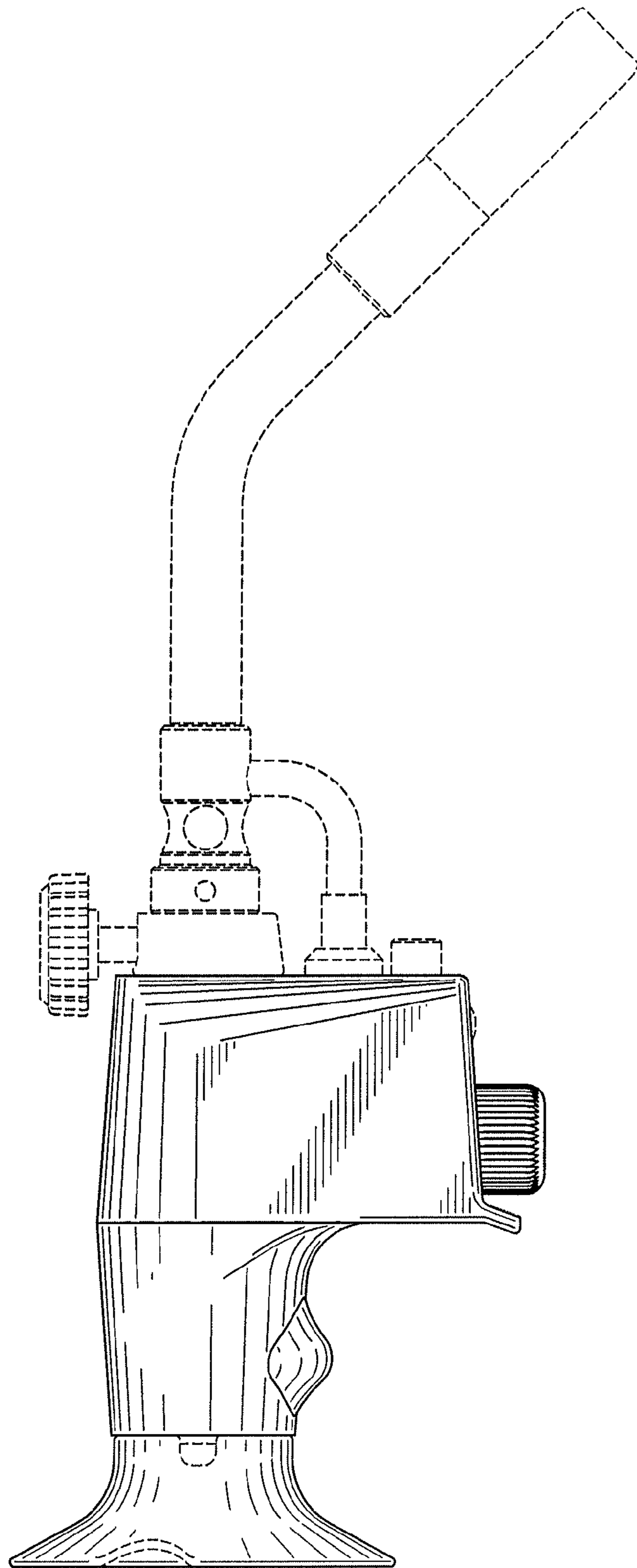


FIG. 4

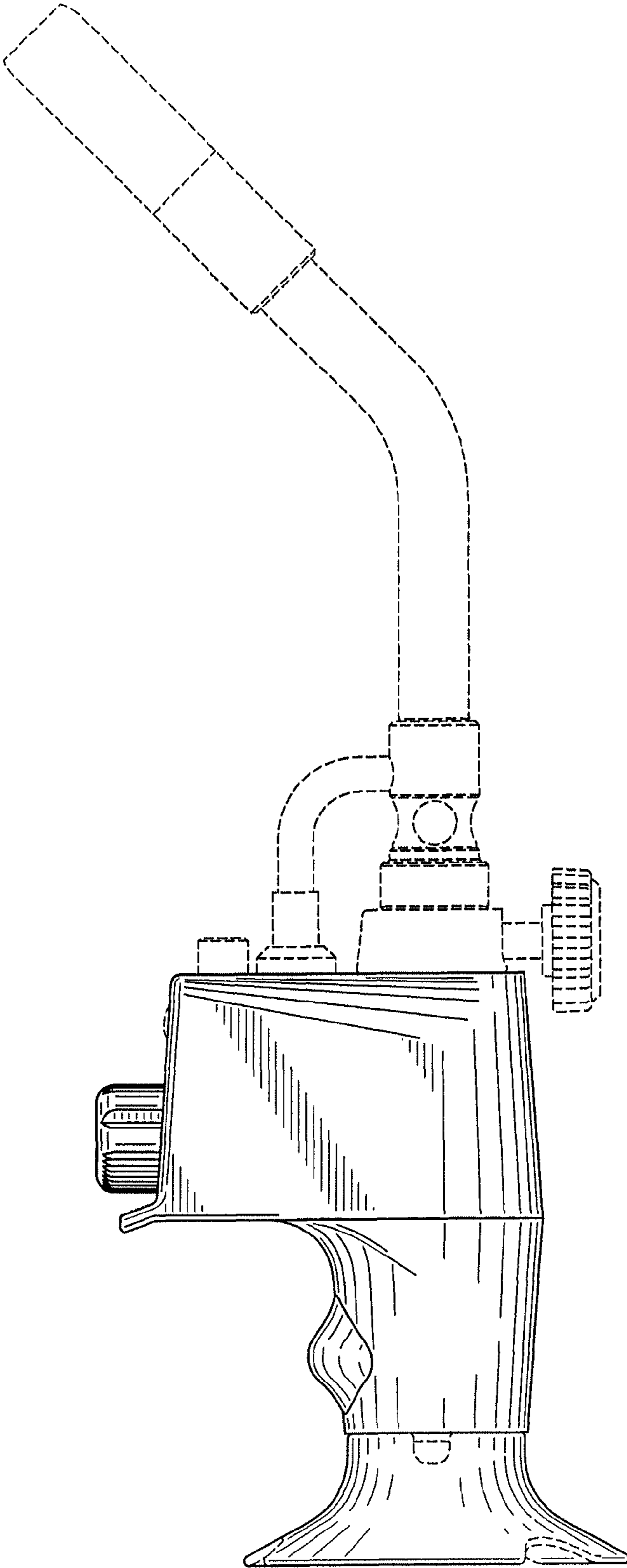


FIG. 5

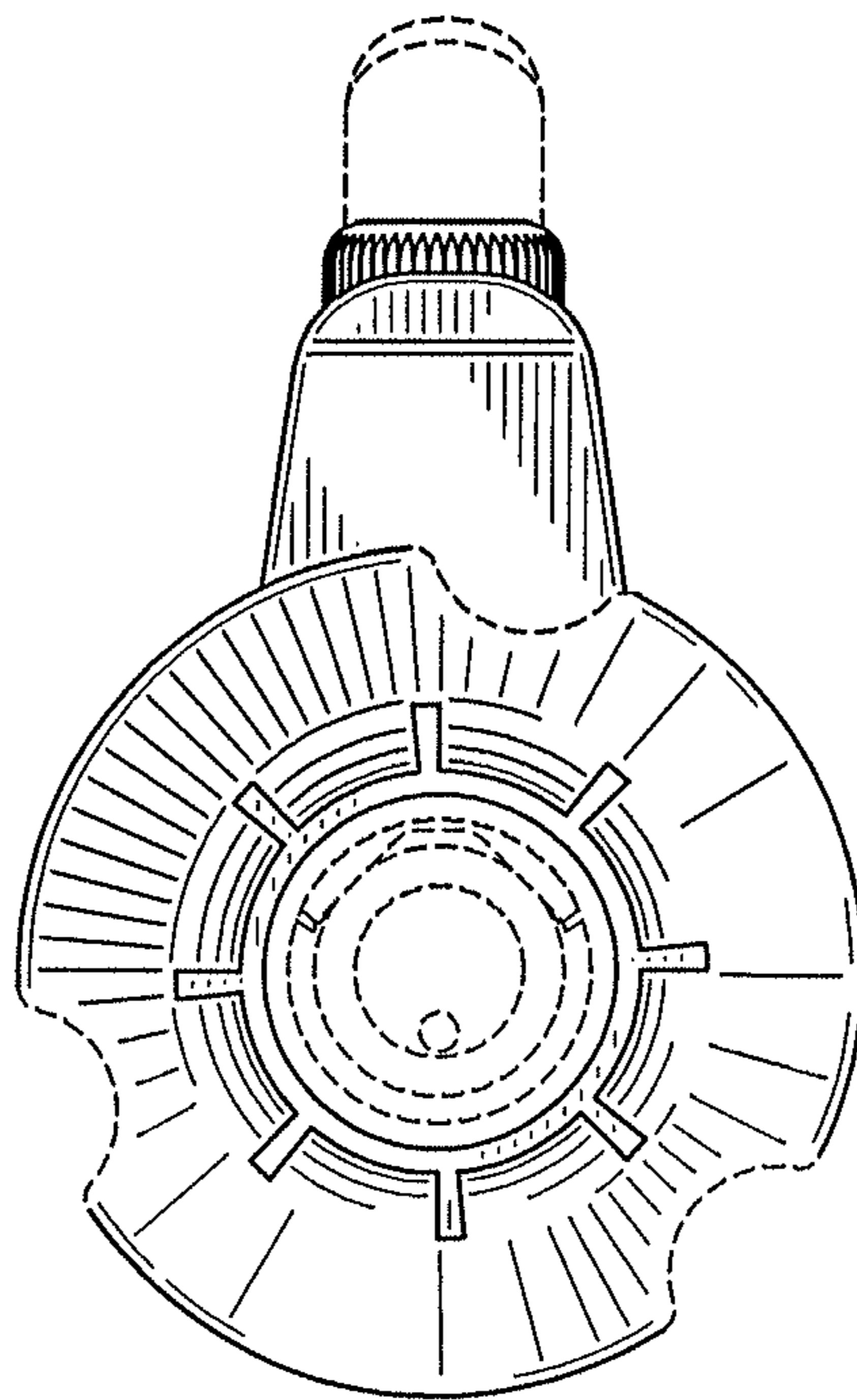


FIG. 7

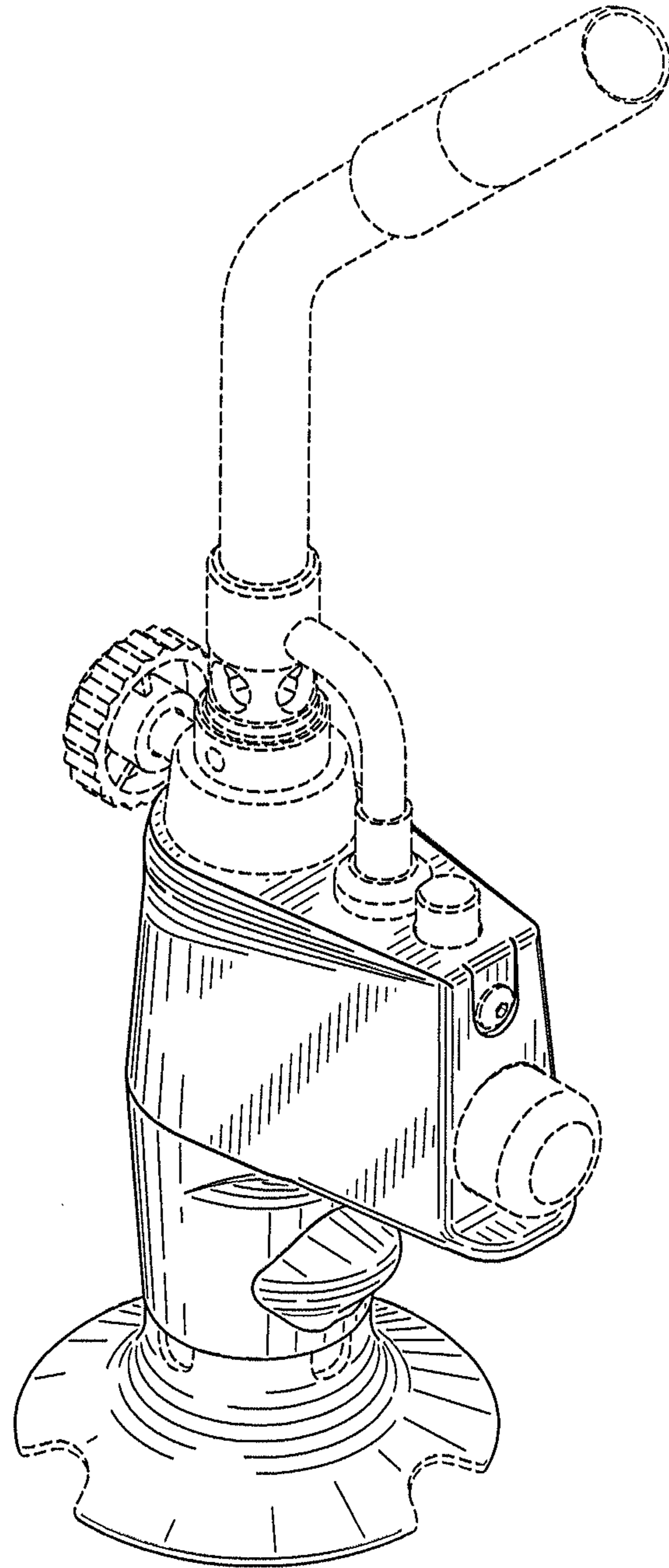


FIG. 8

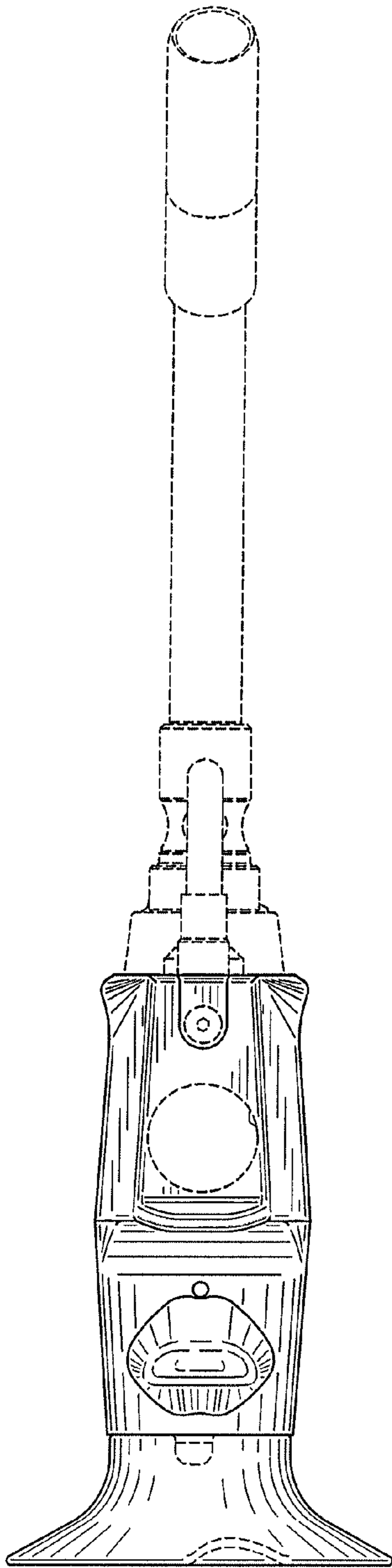


FIG. 9

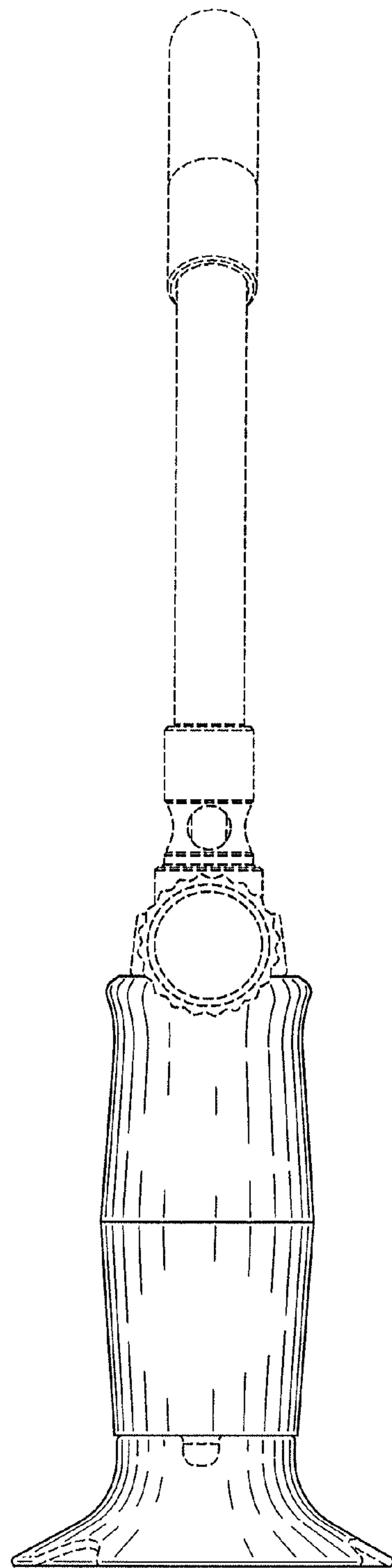


FIG. 10

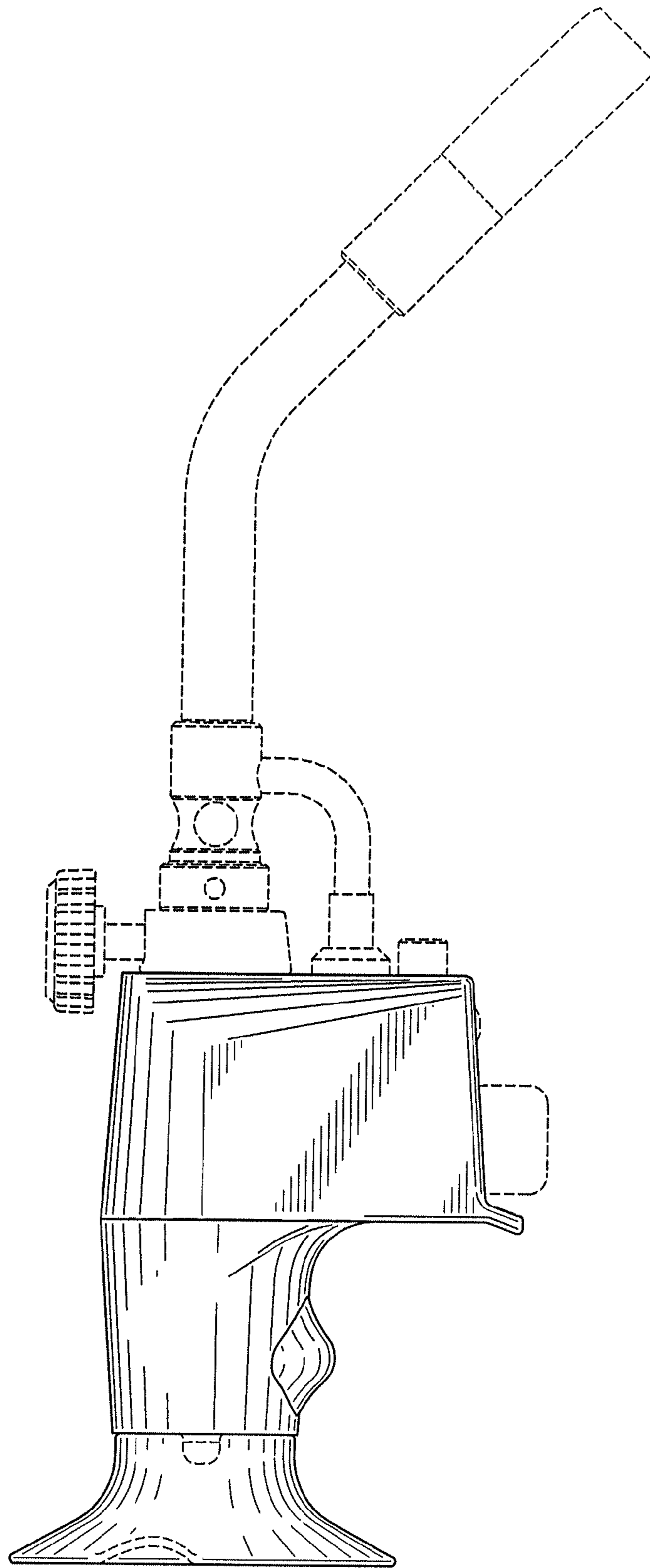


FIG. 11

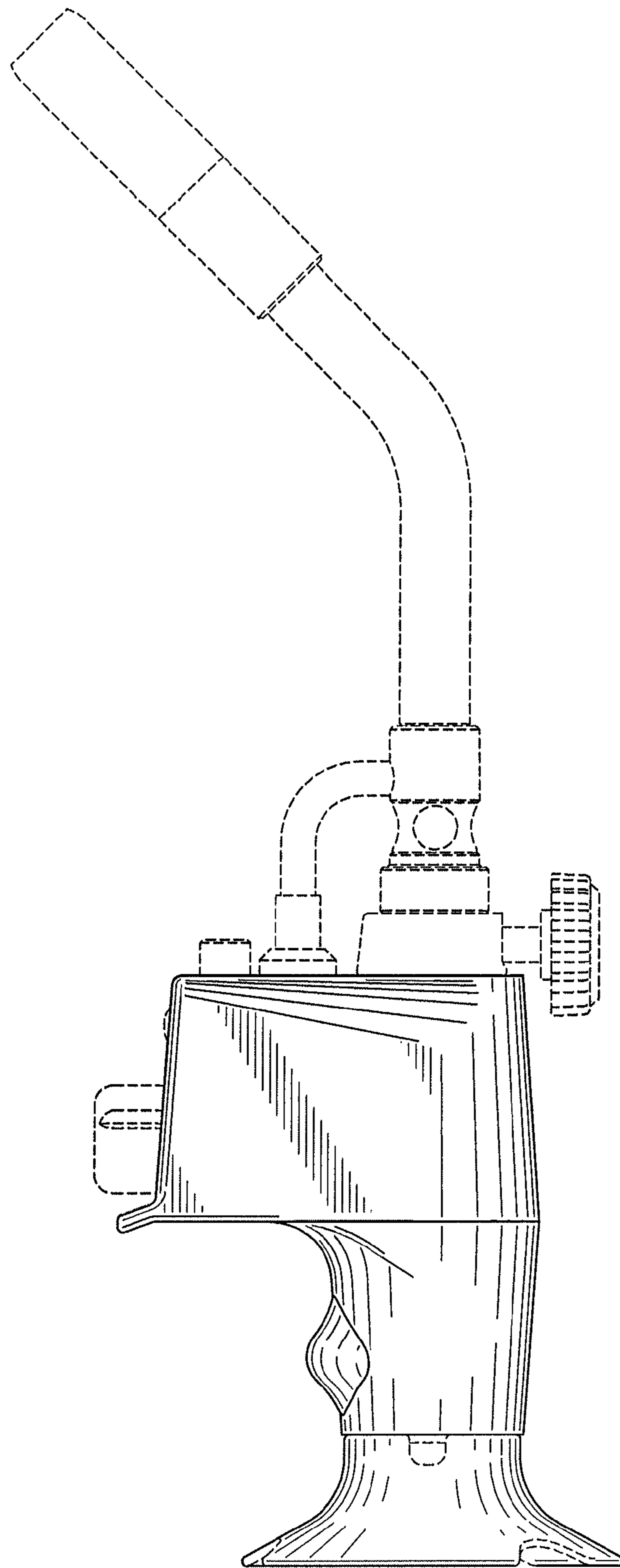


FIG. 12

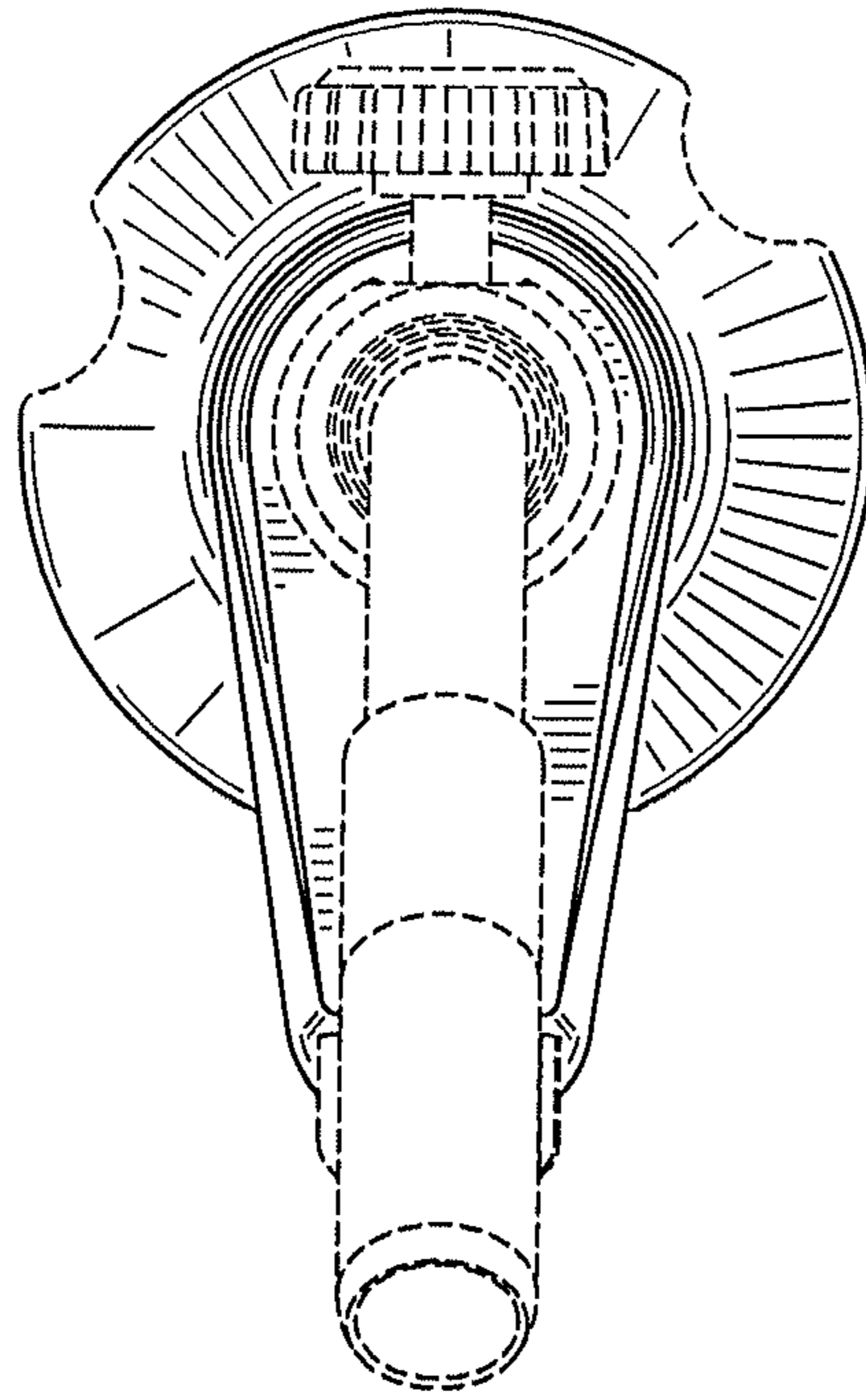


FIG. 13

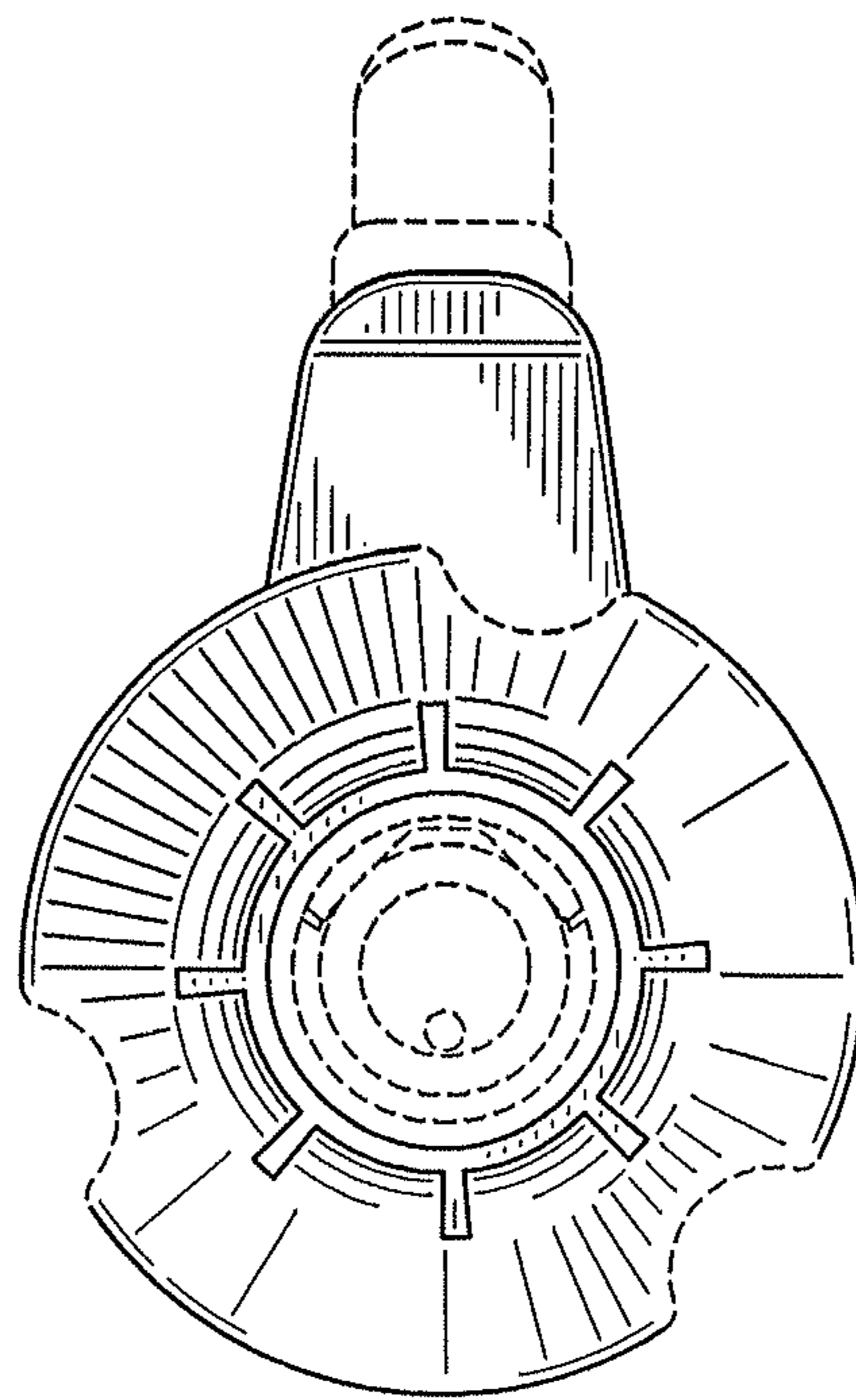


FIG. 14