



US00D718355S

(12) **United States Design Patent**  
**Muramatsu**

(10) **Patent No.:** **US D718,355 S**

(45) **Date of Patent:** **\*\* Nov. 25, 2014**

(54) **SLIDE OPERATION TYPE DOVETAIL  
GROOVE SLIDING STAGE FOR PRECISION  
EQUIPMENT**

6,932,074 B2 \* 8/2005 Cheng et al. .... 125/13.01  
D554,163 S \* 10/2007 Krohmer et al. .... D15/140  
7,931,059 B1 \* 4/2011 Douglas ..... 144/354  
7,997,312 B2 \* 8/2011 Van Valkenburg ..... 144/253.1  
8,555,762 B1 \* 10/2013 Jones ..... 83/522.16  
8,621,969 B2 \* 1/2014 Dawley, III ..... 83/462

(75) Inventor: **Hiroaki Muramatsu**, Hachioji (JP)

(73) Assignee: **Miruc Optical Co., Ltd.** (JP)

(\*\*) Term: **14 Years**

(21) Appl. No.: **29/432,284**

(22) Filed: **Sep. 14, 2012**

(51) **LOC (10) Cl.** ..... **15-09**

(52) **U.S. Cl.**  
USPC ..... **D15/138**; D15/140

(58) **Field of Classification Search**  
USPC ..... D8/70, 71; D15/140, 141; 33/197, 430,  
33/561, 832; 83/467.1, 471.3, 477.2, 468,  
83/468.7, 522.16, 522.25, 762, 765, 767;  
144/41, 85-89, 144.5, 221, 253.2,  
144/253.5; 269/41, 60, 81, 87.2, 221, 303  
See application file for complete search history.

(56) **References Cited**

**U.S. PATENT DOCUMENTS**

2,607,124 A \* 8/1952 Dery ..... 33/567.1  
4,197,776 A \* 4/1980 Wynn ..... 83/765  
4,793,604 A \* 12/1988 Taylor ..... 269/303  
5,038,486 A \* 8/1991 Ducate, Sr. .... 33/430  
5,140,778 A \* 8/1992 Carruth ..... 451/344  
5,215,296 A \* 6/1993 Adams et al. .... 269/60  
5,239,763 A \* 8/1993 Kulp ..... 33/832  
5,337,641 A \* 8/1994 Duginske ..... 83/468  
5,443,554 A \* 8/1995 Robert ..... 83/468.7  
5,617,909 A \* 4/1997 Duginske ..... 144/253.1  
5,716,045 A \* 2/1998 Taylor ..... 269/303  
5,845,555 A \* 12/1998 Dawley ..... 83/467.1  
6,076,575 A \* 6/2000 Harkness ..... 144/144.1  
6,206,060 B1 \* 3/2001 Blake ..... 144/87  
6,293,177 B1 \* 9/2001 MacKenzie ..... 83/467.1  
6,557,601 B1 \* 5/2003 Taylor ..... 144/253.1  
D482,051 S \* 11/2003 Hanne et al. .... D15/140  
6,688,197 B1 \* 2/2004 Niemela ..... 83/39

**FOREIGN PATENT DOCUMENTS**

JP 2010-217121 A 9/2010  
JP 4606501 B2 10/2010  
JP 4830053 B1 9/2011  
JP 4830053 B1 12/2011  
WO 2012/150723 A1 11/2012

**OTHER PUBLICATIONS**

Notification of Reason for Refusal for Japanese Design Application  
No. 2012-010042, dispatched Nov. 6, 2012, with English translation.

\* cited by examiner

*Primary Examiner* — Patricia Palasik  
(74) *Attorney, Agent, or Firm* — Cantor Colburn LLP

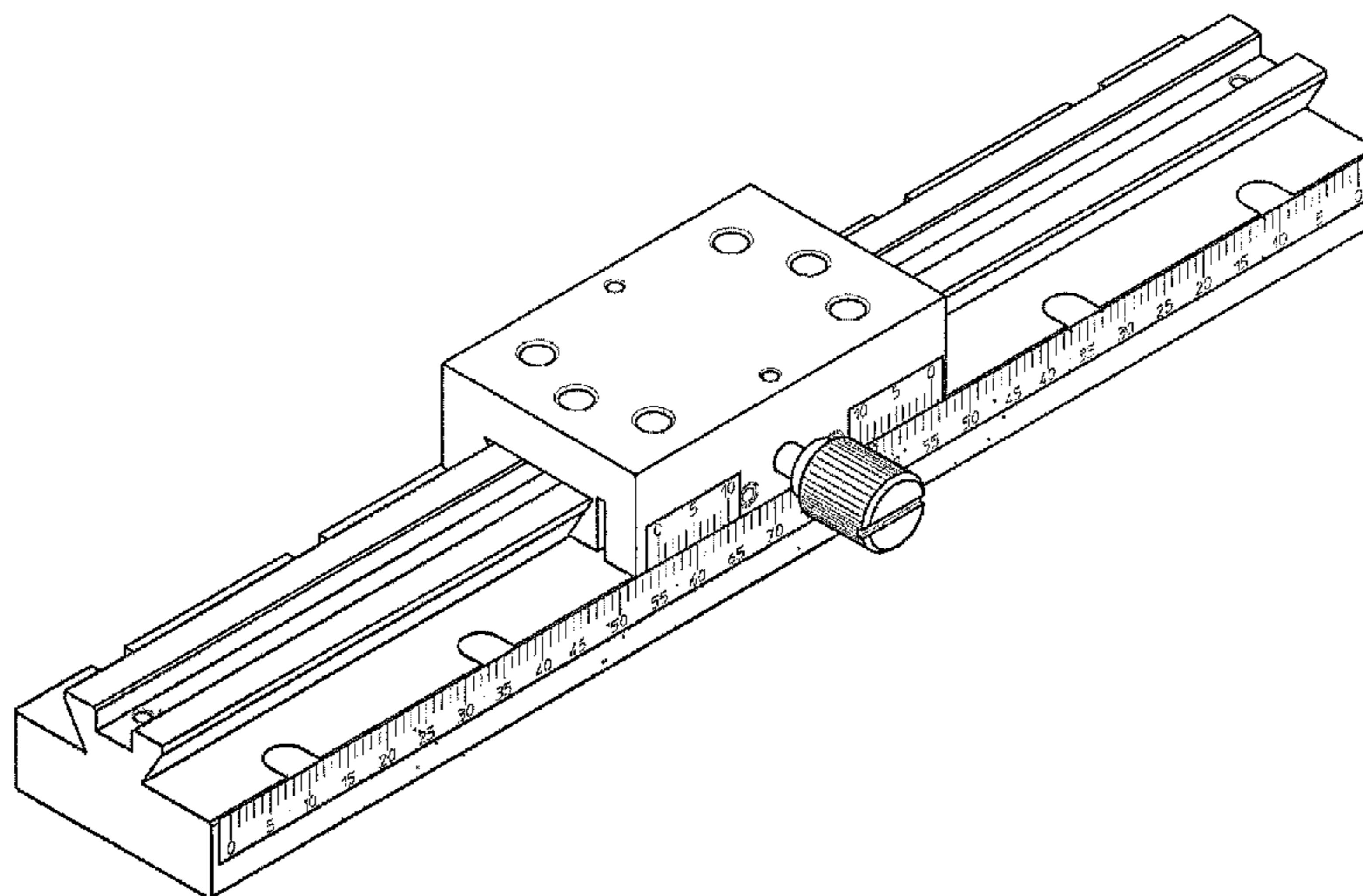
(57) **CLAIM**

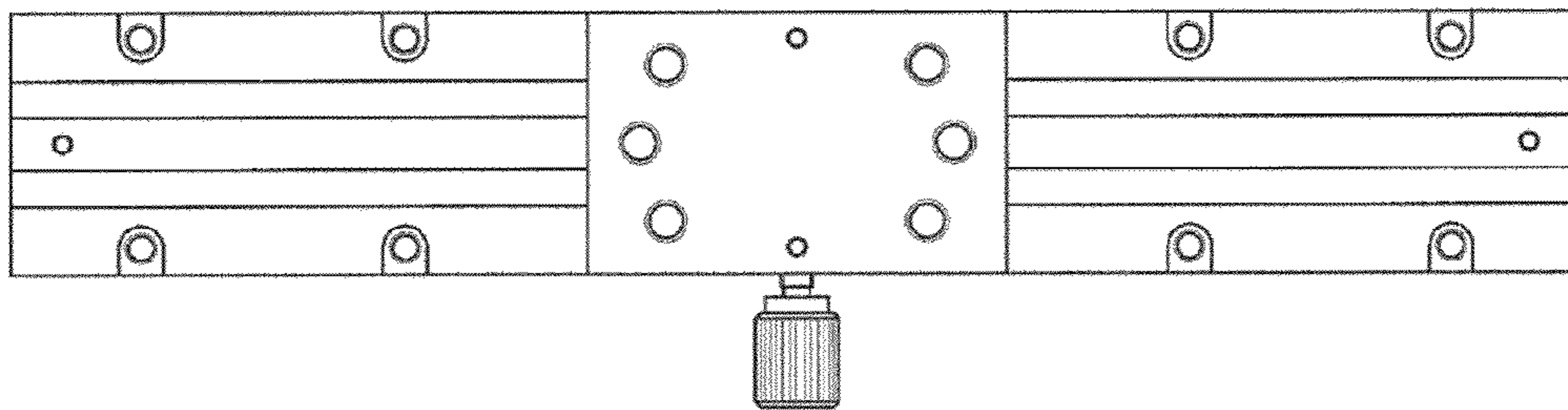
The ornamental design for a slide operation type dovetail groove sliding stage for precision equipment, as shown and described.

**DESCRIPTION**

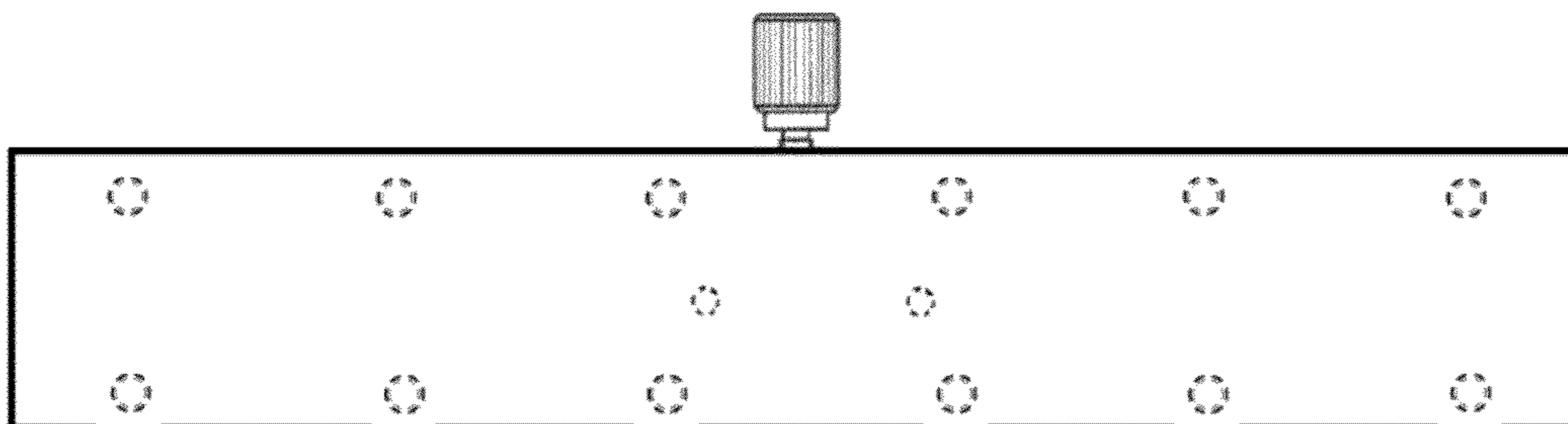
FIG. 1 is a plan view of a slide operation type dovetail groove sliding stage for precision equipment showing my new design;  
FIG. 2 is a bottom view thereof;  
FIG. 3 is a front view thereof;  
FIG. 4 is a rear view thereof;  
FIG. 5 is a left side view thereof;  
FIG. 6 is a right side view thereof; and,  
FIG. 7 is a reference perspective view thereof.  
The broken lines in the drawings depict unclaimed environmental subject matter.

**1 Claim, 3 Drawing Sheets**

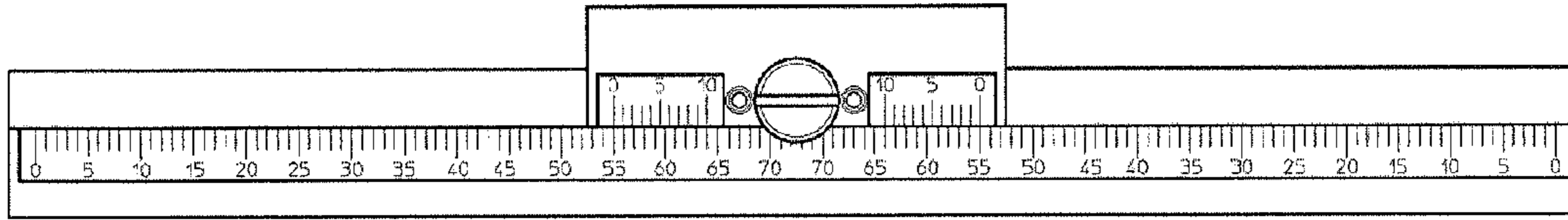




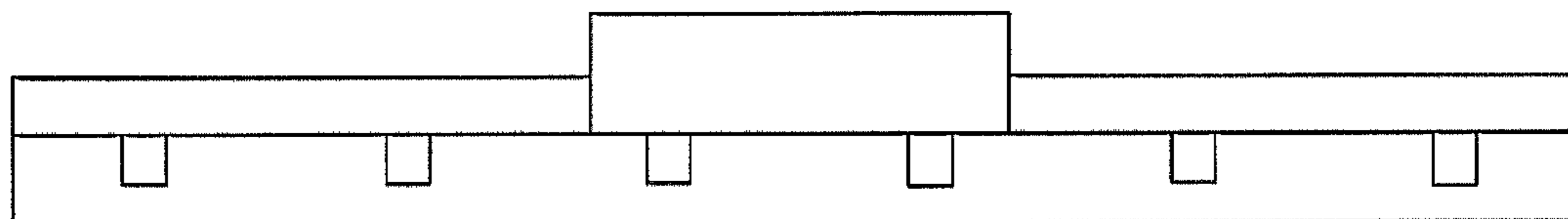
**FIG. 1**



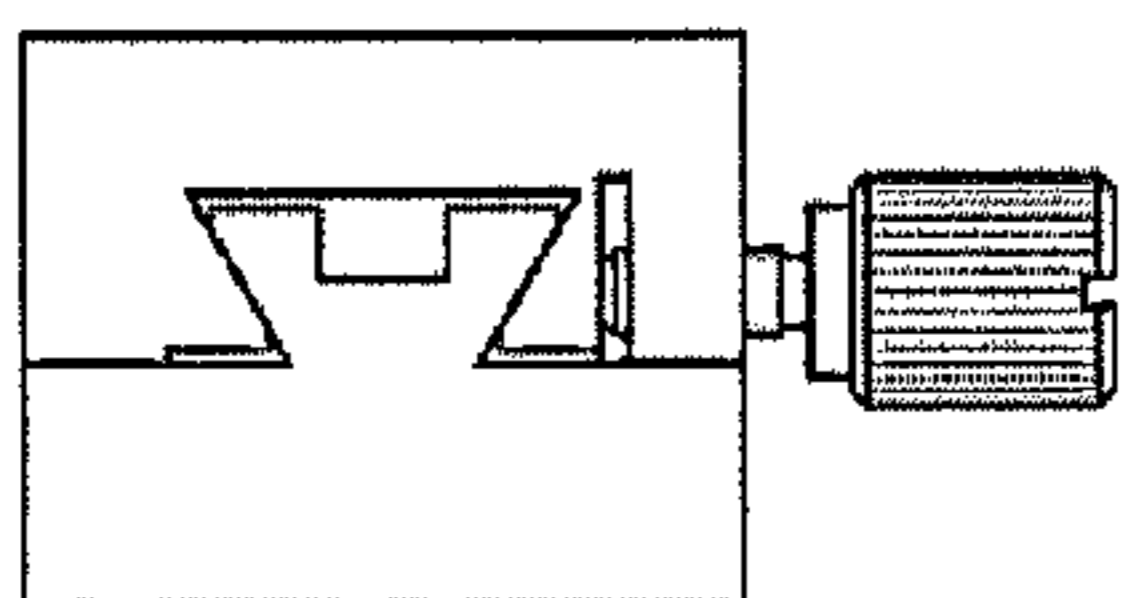
**FIG. 2**



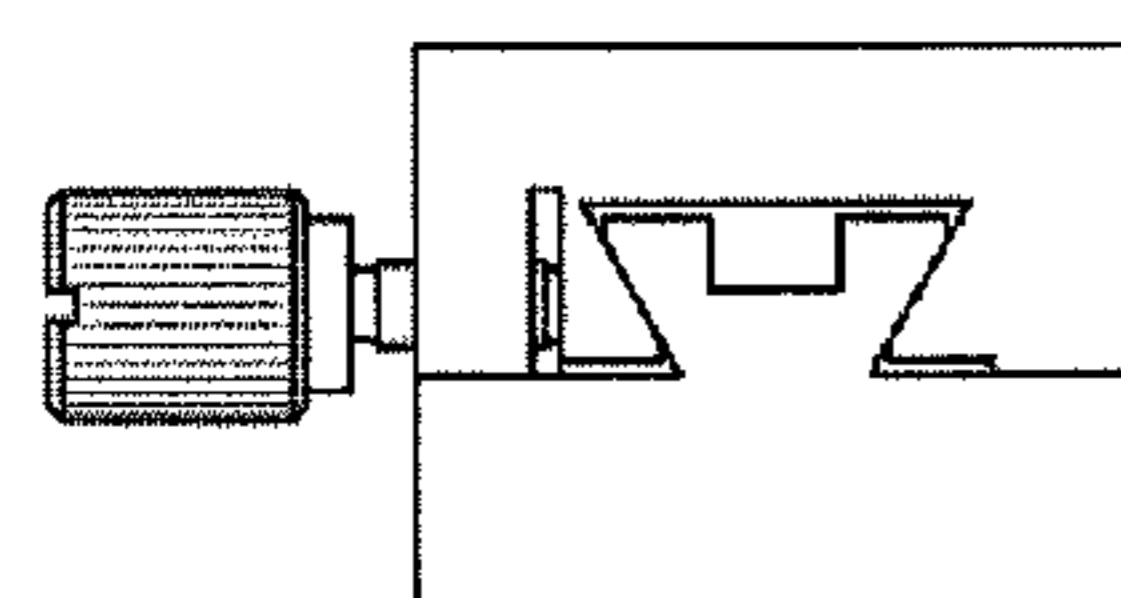
**FIG. 3**



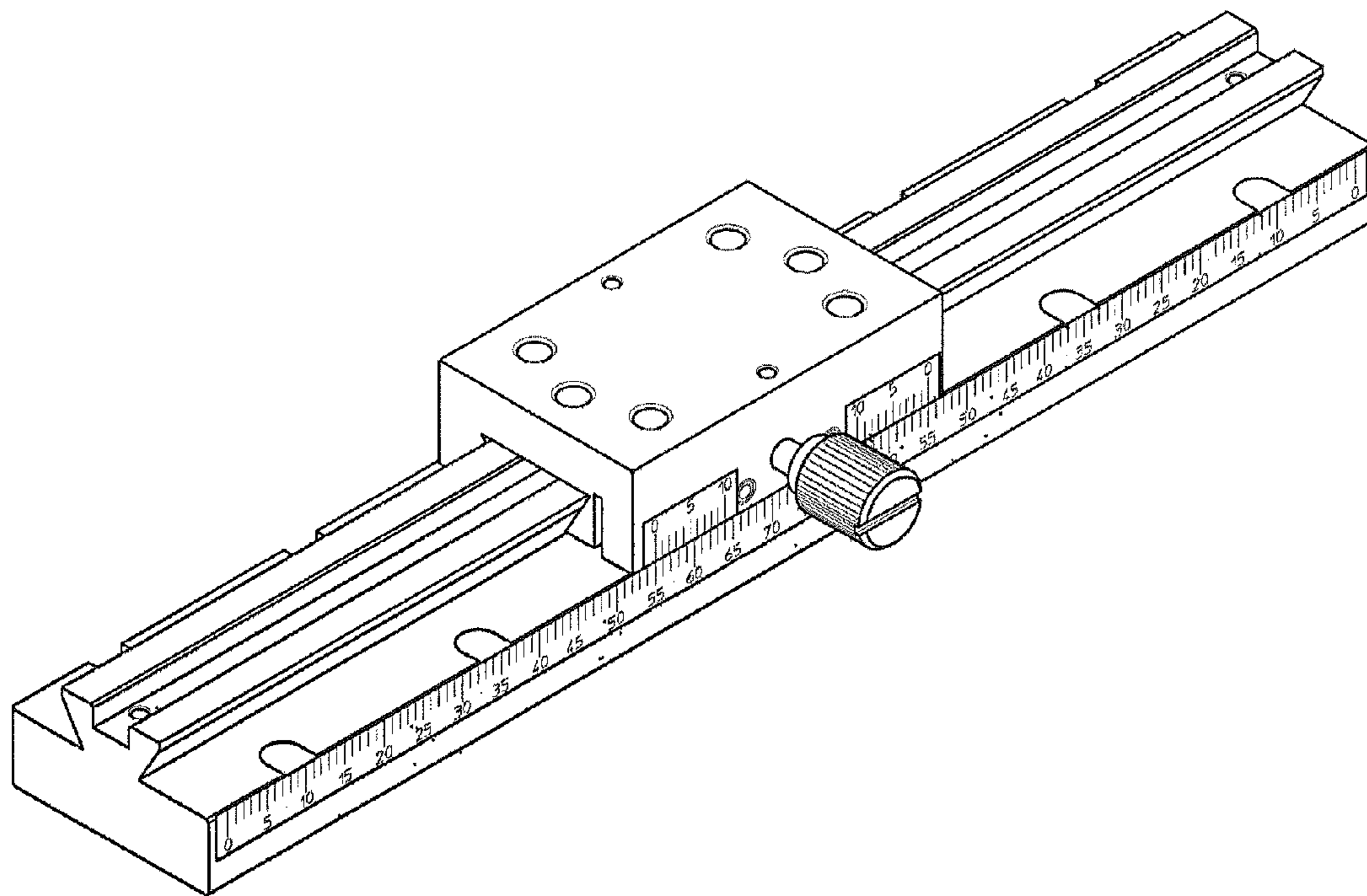
**FIG. 4**



**FIG. 5**



**FIG. 6**



**FIG.7**

UNITED STATES PATENT AND TRADEMARK OFFICE  
**CERTIFICATE OF CORRECTION**

PATENT NO. : D718,355 S  
APPLICATION NO. : 29/432284  
DATED : November 25, 2014  
INVENTOR(S) : Hiroaki Muramatsu

Page 1 of 1

It is certified that error appears in the above-identified patent and that said Letters Patent is hereby corrected as shown below:

On the Title Page Item (30) should read,

The priority claimed for Japanese Design Application No. 2012-010042 filed on April 27, 2012 should be listed.

Signed and Sealed this  
Twenty-fourth Day of March, 2015



Michelle K. Lee  
*Director of the United States Patent and Trademark Office*