



US00D718354S

(12) **United States Design Patent**
Muramatsu

(10) **Patent No.:** **US D718,354 S**

(45) **Date of Patent:** **** Nov. 25, 2014**

(54) **SLIDE OPERATOR TYPE DOVETAIL
GROOVE SLIDING STAGE FOR PRECISION
EQUIPMENT**

(75) Inventor: **Hiroaki Muramatsu**, Hachioji (JP)

(73) Assignee: **Miruc Optical Co., Ltd.** (JP)

(**) Term: **14 Years**

(21) Appl. No.: **29/432,268**

(22) Filed: **Sep. 14, 2012**

(51) **LOC (10) Cl.** **15-09**

(52) **U.S. Cl.**
USPC **D15/138**; D15/140

(58) **Field of Classification Search**
USPC D8/70, 71; D15/140, 141; 33/197, 430,
33/561, 832; 83/467.1, 471.3, 477.2, 468,
83/468.7, 522.16, 522.25, 762, 765, 767;
144/41, 85-89, 144.5, 221, 253.2,
144/253.5; 269/41, 60, 81, 87.2, 221, 303
See application file for complete search history.

(56) **References Cited**

U.S. PATENT DOCUMENTS

2,607,124	A *	8/1952	Dery	33/567.1
4,197,776	A *	4/1980	Wynn	83/765
4,793,604	A *	12/1988	Taylor	269/303
5,038,486	A *	8/1991	Ducate, Sr.	33/430
5,140,778	A *	8/1992	Carruth	451/344
5,215,296	A *	6/1993	Adams et al.	269/60
5,239,763	A *	8/1993	Kulp	33/832
5,337,641	A *	8/1994	Duginske	83/468
5,443,554	A *	8/1995	Robert	83/468.7
5,617,909	A *	4/1997	Duginske	144/253.1
5,716,045	A *	2/1998	Taylor	269/303
5,845,555	A *	12/1998	Dawley	83/467.1
6,076,575	A *	6/2000	Harkness	144/144.1
6,206,060	B1 *	3/2001	Blake	144/87

6,293,177	B1 *	9/2001	MacKenzie	83/467.1
6,557,601	B1 *	5/2003	Taylor	144/253.1
D482,051	S *	11/2003	Hanne et al.	D15/140
6,688,197	B1 *	2/2004	Niemela	83/39
6,932,074	B2 *	8/2005	Cheng et al.	125/13.01
D554,163	S *	10/2007	Krohmer et al.	D15/140
7,931,059	B1 *	4/2011	Douglas	144/354
7,997,312	B2 *	8/2011	Van Valkenburg	144/253.1
8,555,762	B1 *	10/2013	Jones	83/522.16
8,621,969	B2 *	1/2014	Dawley, III	83/462

FOREIGN PATENT DOCUMENTS

JP	2010-217121	A	9/2010
JP	4606501	B2	10/2010
JP	4830053	B1	9/2011

* cited by examiner

Primary Examiner — Patricia Palasik

(74) *Attorney, Agent, or Firm* — Cantor Colburn LLP

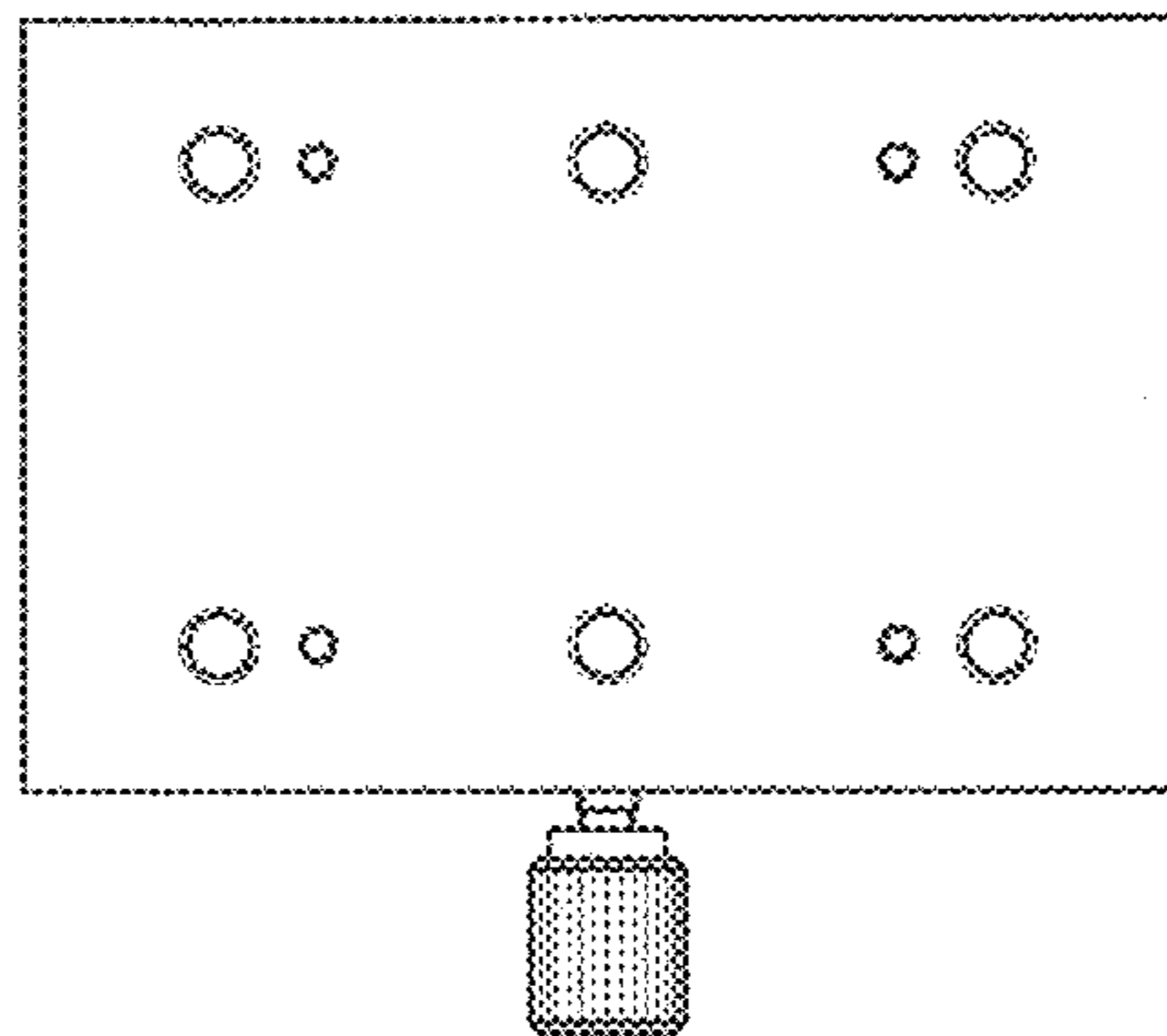
(57) **CLAIM**

The ornamental design for a slide operation type dovetail groove sliding stage for precision equipment, as shown and described.

DESCRIPTION

FIG. 1 is a plan view of a slide operation type dovetail groove sliding stage for precision equipment showing my new design;
FIG. 2 is a bottom view thereof;
FIG. 3 is a front view thereof;
FIG. 4 is a rear view thereof;
FIG. 5 is a left side view thereof;
FIG. 6 is a right side view thereof; and,
FIG. 7 is a reference perspective view thereof.
The broken lines in the drawings depict unclaimed environmental subject matter.

1 Claim, 4 Drawing Sheets



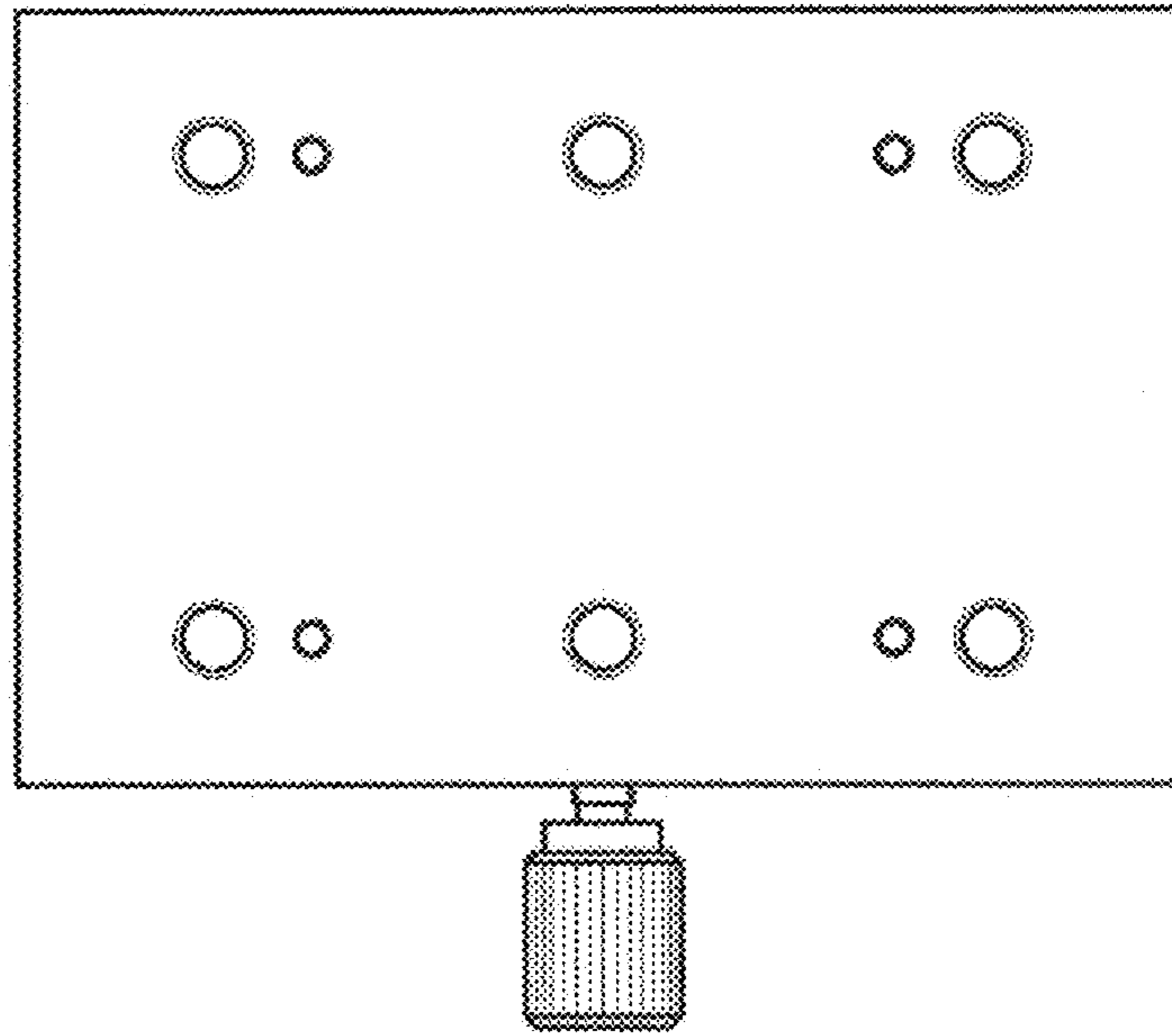


FIG. 1

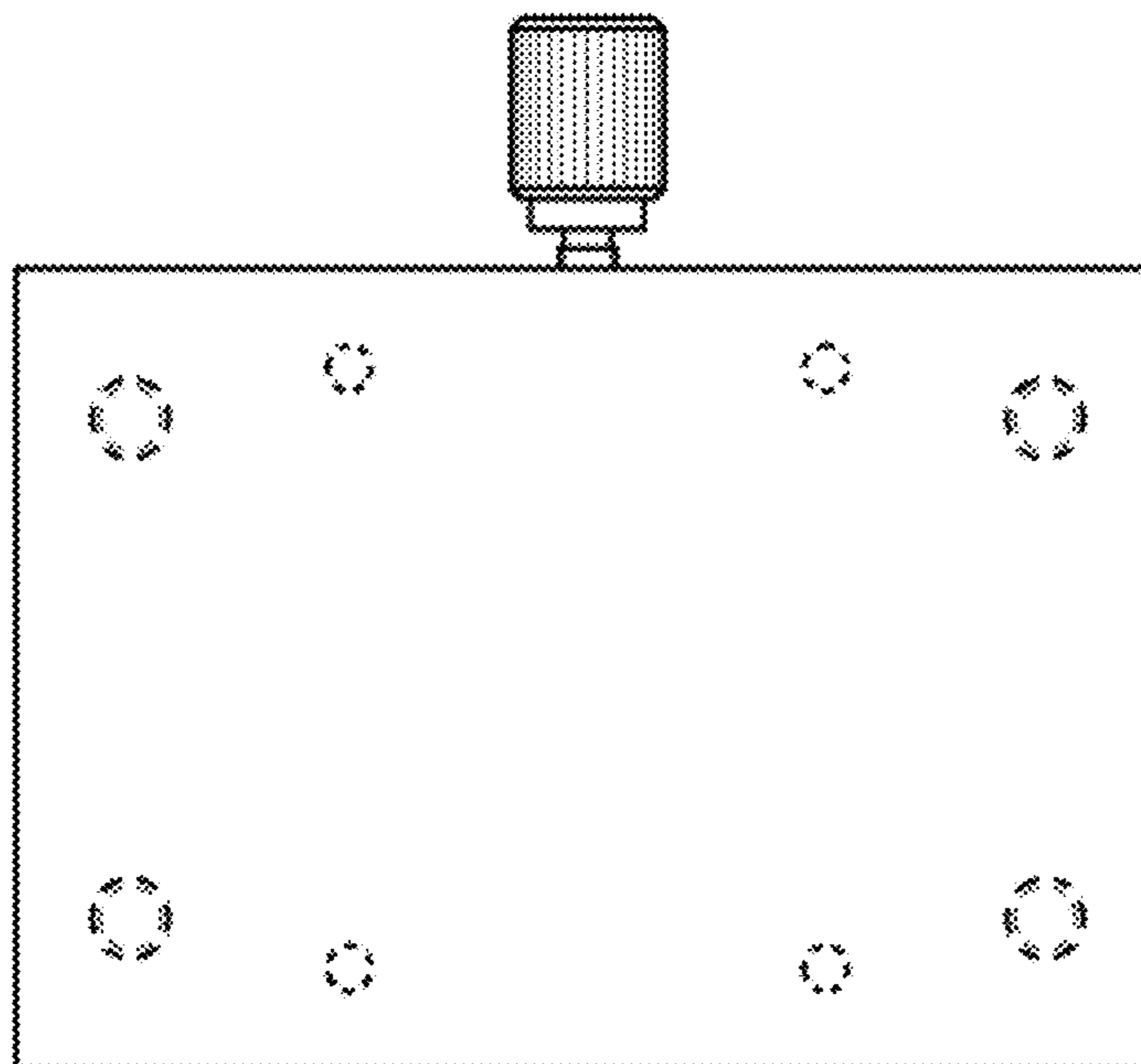


FIG. 2

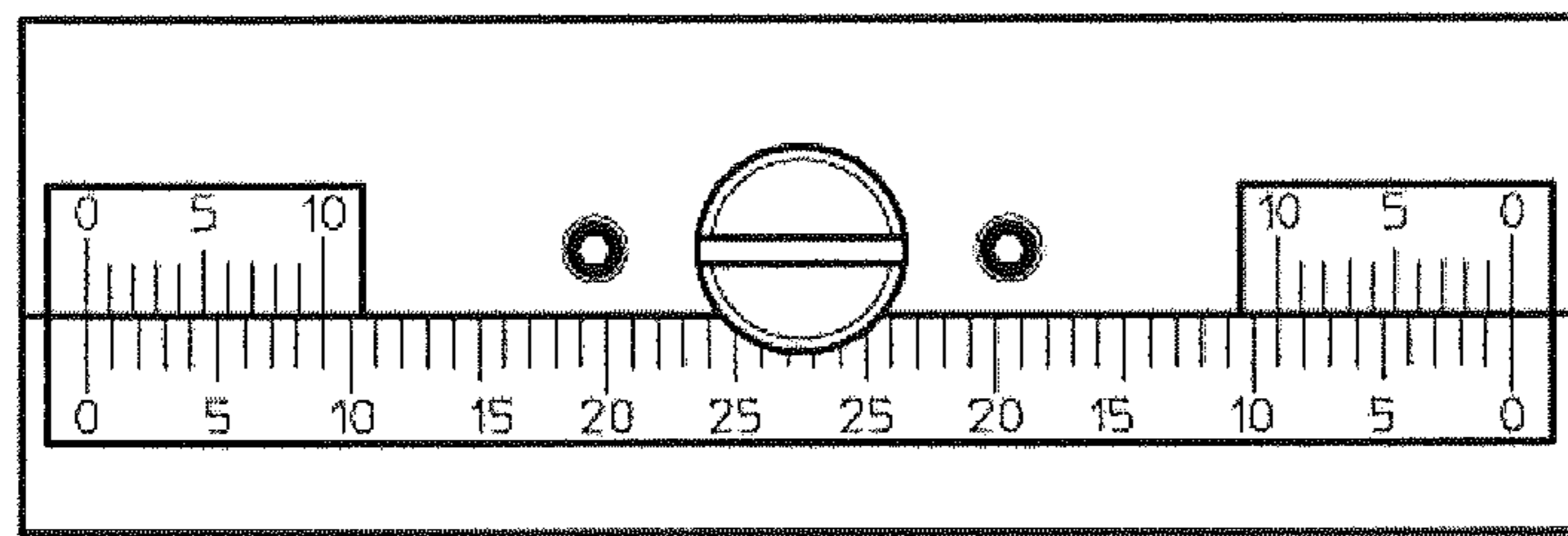


FIG. 3

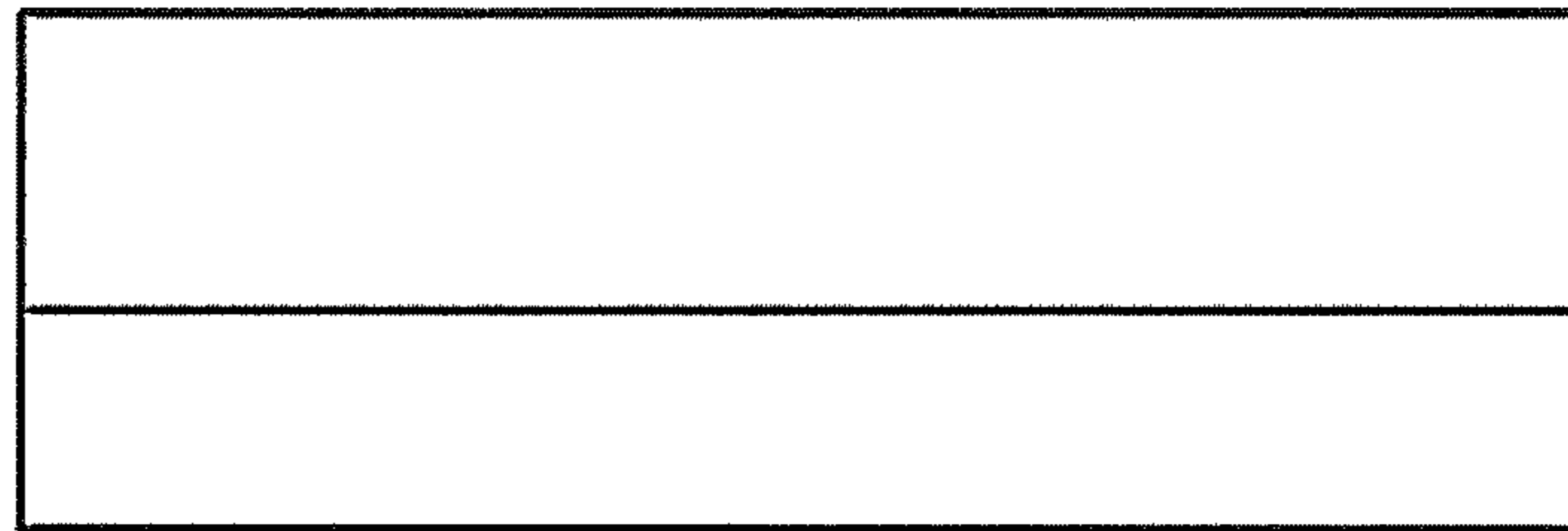


FIG. 4

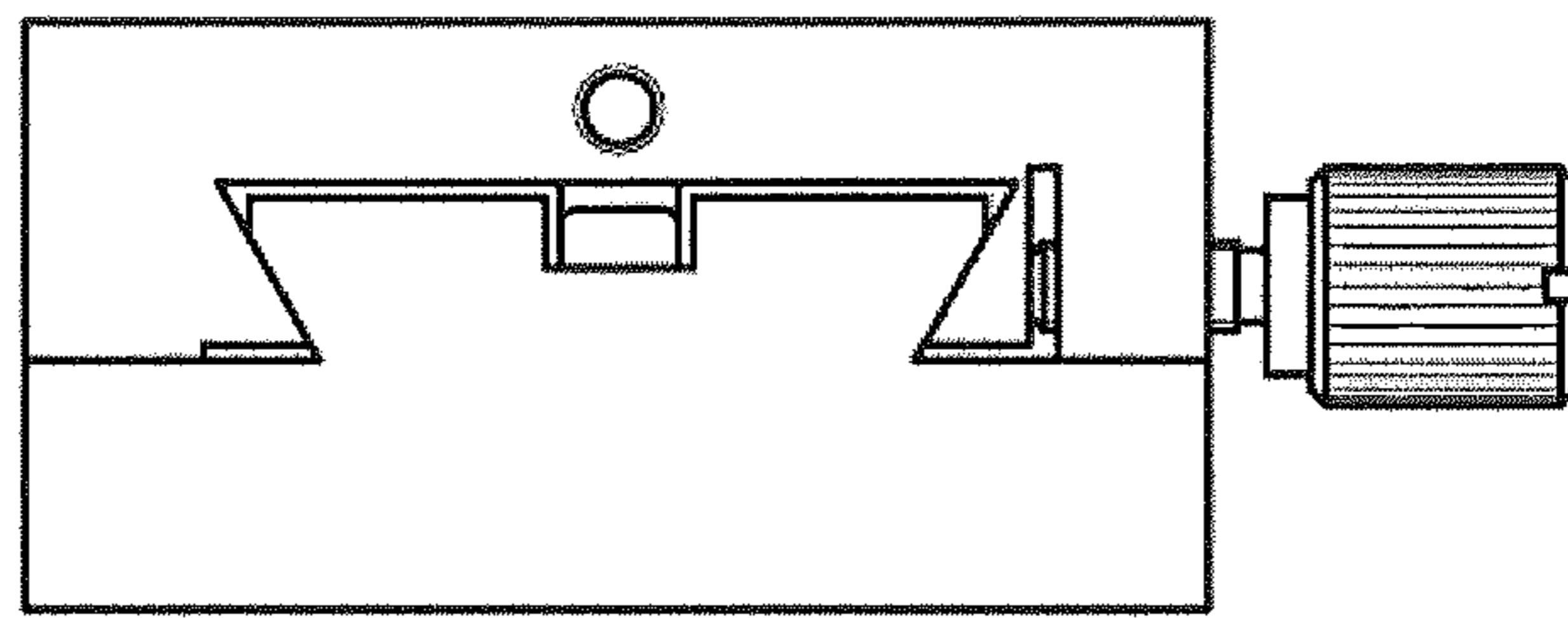


FIG. 5

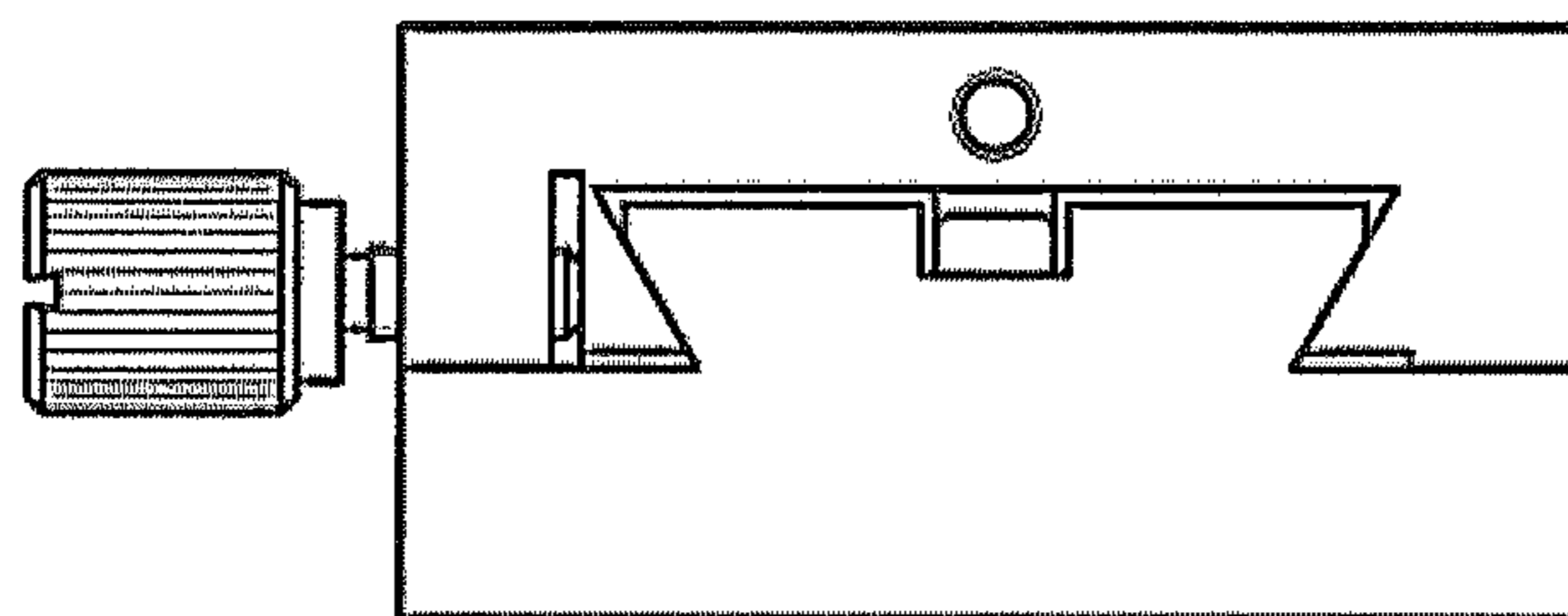


FIG. 6

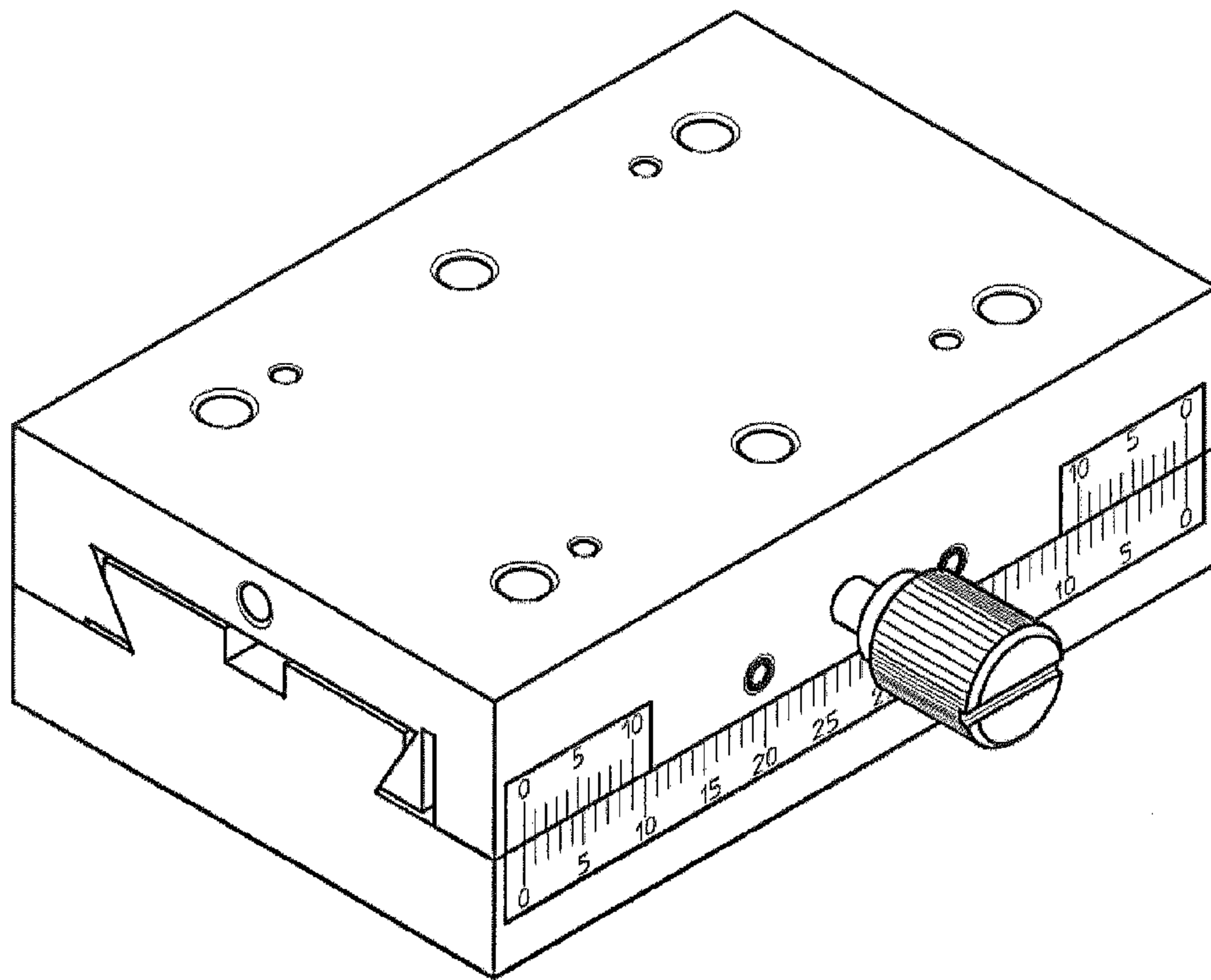


FIG.7

UNITED STATES PATENT AND TRADEMARK OFFICE
CERTIFICATE OF CORRECTION

PATENT NO. : D718,354 S
APPLICATION NO. : 29/432268
DATED : November 25, 2014
INVENTOR(S) : Hiroaki Muramatsu

Page 1 of 1

It is certified that error appears in the above-identified patent and that said Letters Patent is hereby corrected as shown below:

The Priority Claimed in this patent is currently omitted on the Title Page of the patent.

Insert

--(30) Priority Application Data

Apr. 27, 2012 (JP) 2012-010038--.

Signed and Sealed this
Tenth Day of March, 2015



Michelle K. Lee
Deputy Director of the United States Patent and Trademark Office