



US00D718349S

(12) **United States Design Patent**
Cho et al.

(10) **Patent No.:** **US D718,349 S**
(45) **Date of Patent:** **** Nov. 25, 2014**

(54) **REFRIGERATOR**

(71) Applicant: **LG Electronics Inc.**, Seoul (KR)

(72) Inventors: **Kyeongchul Cho**, Gyeonggi-do (KR);
Seonkyu Kim, Seoul (KR); **Hyun Choi**,
Gyeonggi-do (KR); **Seungjin Yoon**,
Gyeonggi-do (KR)

(73) Assignee: **LG Electronics Inc.**, Seoul (KR)

(**) Term: **14 Years**

(21) Appl. No.: **29/456,009**

(22) Filed: **May 28, 2013**

(30) **Foreign Application Priority Data**

Nov. 28, 2012 (KR) 30-2012-0057103

(51) **LOC (10) Cl.** **15-07**

(52) **U.S. Cl.**
USPC **D15/85**

(58) **Field of Classification Search**
USPC D15/79-90; 62/3.6, 3.63, 3.64, 293,
62/331, 371, 440-445, 467; 312/114-119,
312/138.1, 236, 400-408
See application file for complete search history.

(56) **References Cited**

U.S. PATENT DOCUMENTS

D457,536 S * 5/2002 Goshima et al. D15/86

D491,204 S * 6/2004 Sagawa et al. D15/86
D518,832 S * 4/2006 Park et al. D15/85
D647,927 S * 11/2011 Lee et al. D15/85
D654,515 S * 2/2012 Hwang et al. D15/85
D685,010 S * 6/2013 Seo et al. D15/86
2013/0081422 A1 * 4/2013 Park et al. 62/448
2014/0000303 A1 * 1/2014 Jeong et al. 62/344

* cited by examiner

Primary Examiner — Thomas Johannes

Assistant Examiner — Khawaja Anwar

(74) *Attorney, Agent, or Firm* — Morgan, Lewis & Bockius LLP

(57) **CLAIM**

The ornamental design for a refrigerator, as shown and described.

DESCRIPTION

FIG. 1 is a front, right side, perspective view of a refrigerator showing our new design;
FIG. 2 is a front view thereof;
FIG. 3 is a rear view thereof;
FIG. 4 is a left side view thereof;
FIG. 5 is a right side view thereof;
FIG. 6 is a top view thereof; and,
FIG. 7 is a bottom view thereof.

The broken lines shown in the drawings are included to show unclaimed environment only and form no part of the claimed design.

1 Claim, 7 Drawing Sheets

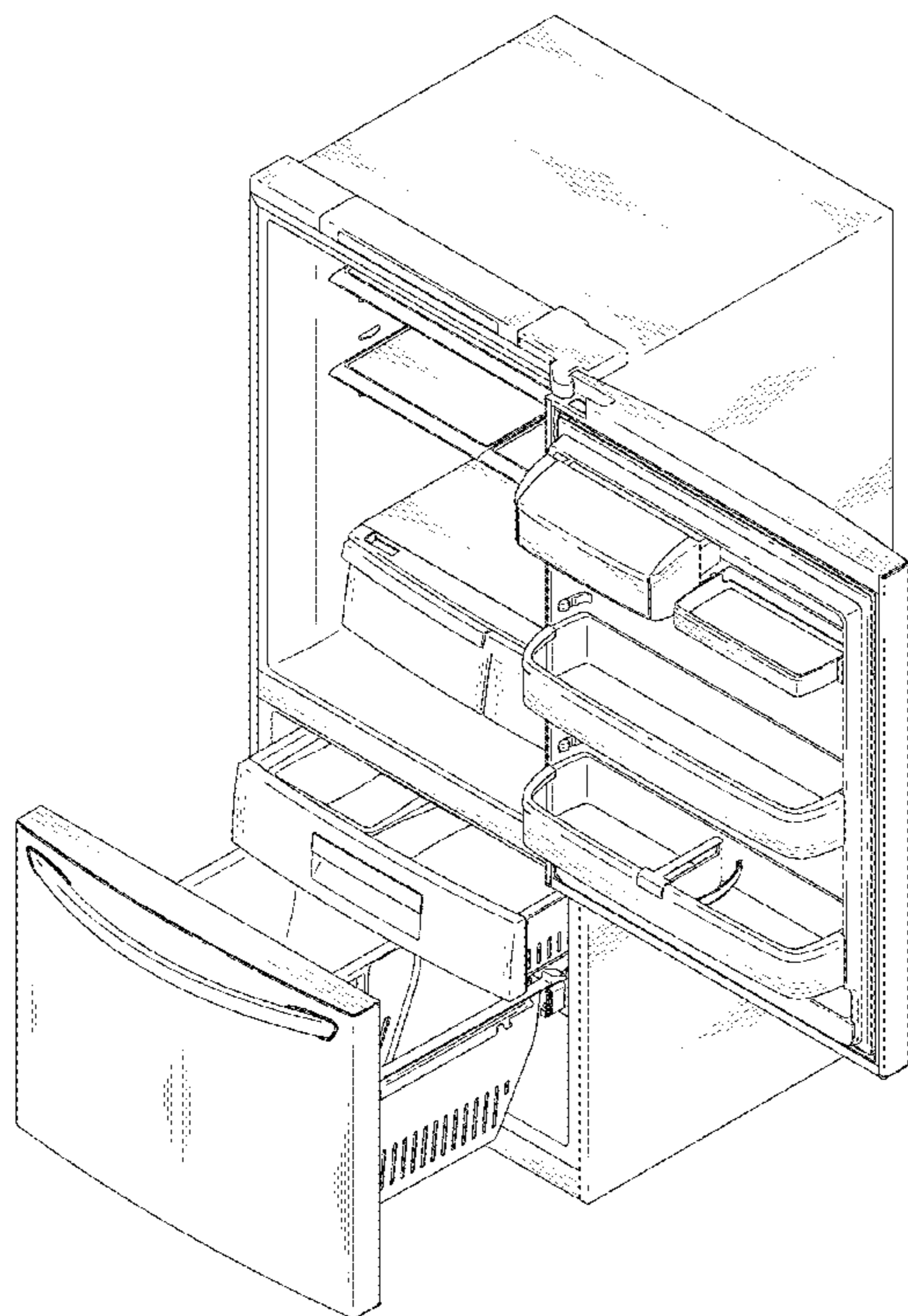


FIG. 1

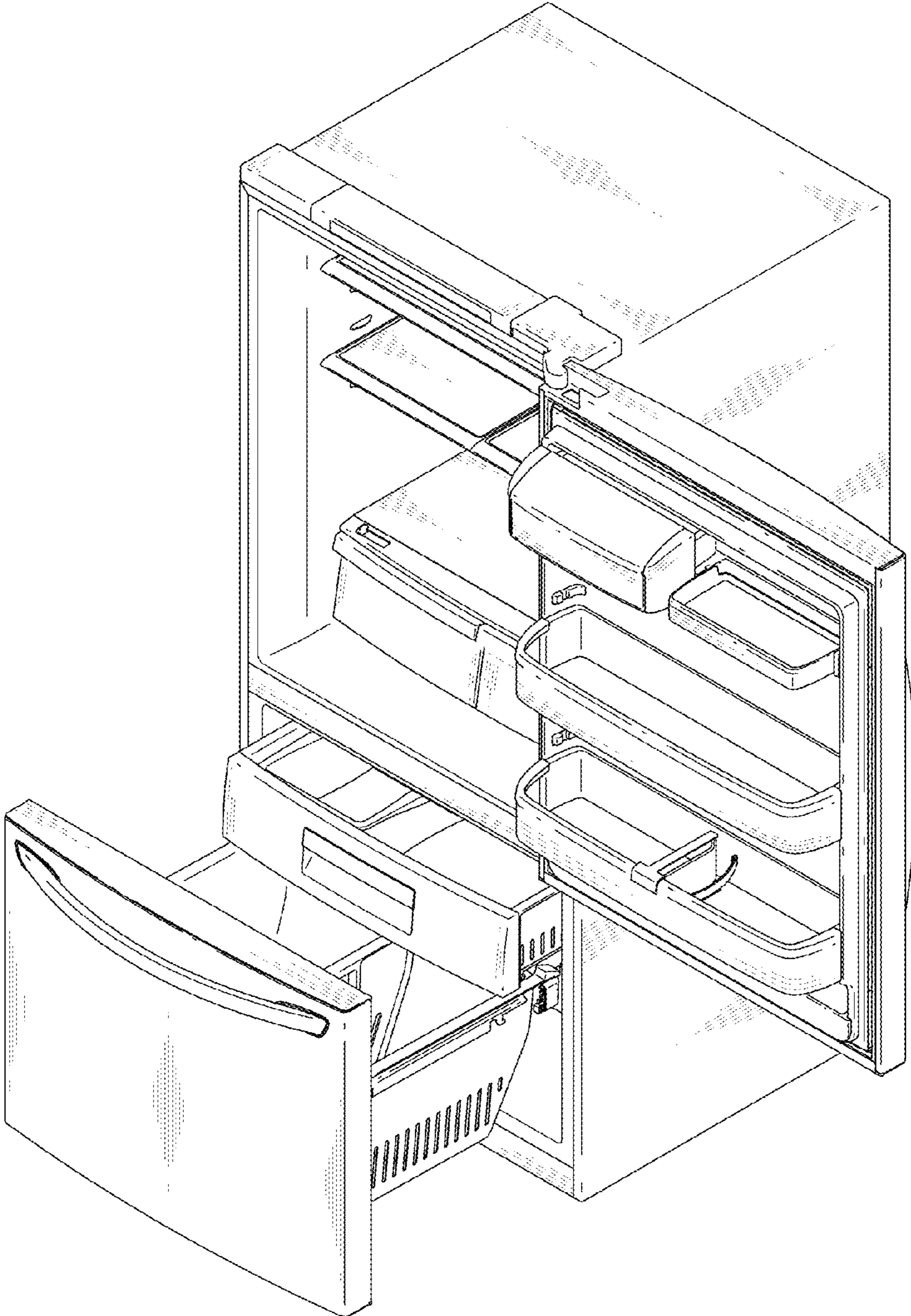


FIG. 2

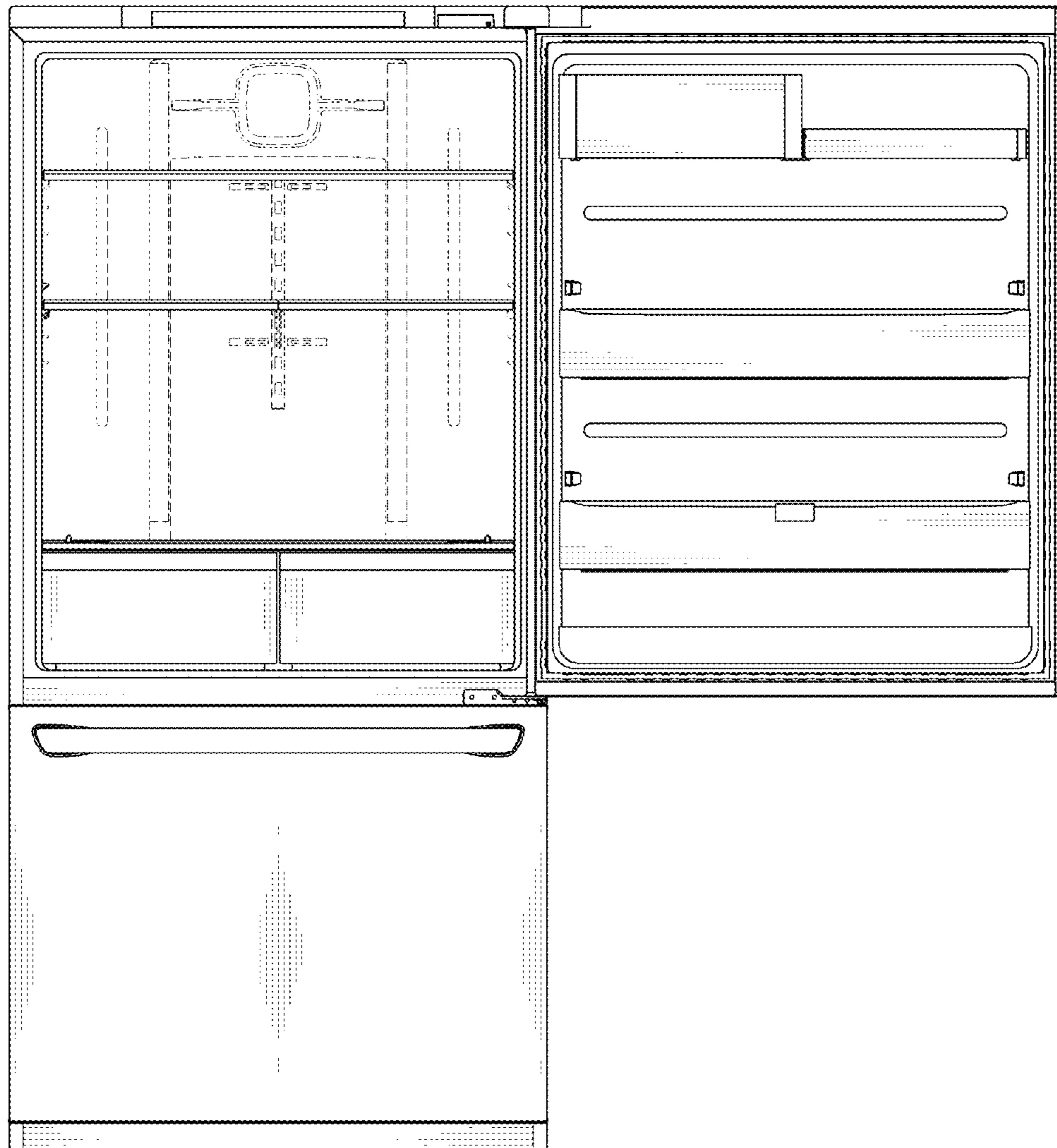


FIG. 3

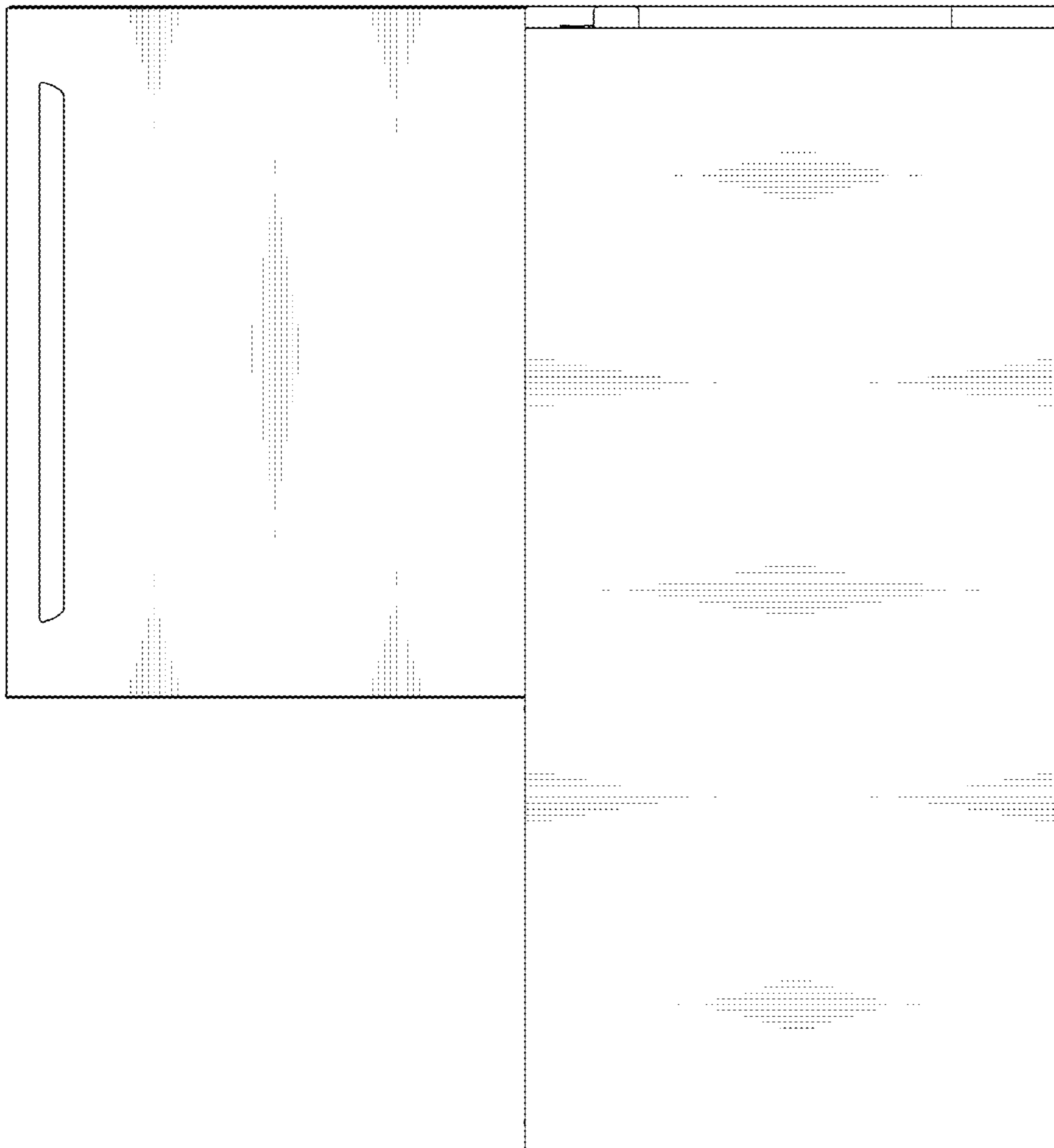


FIG. 4



FIG. 5

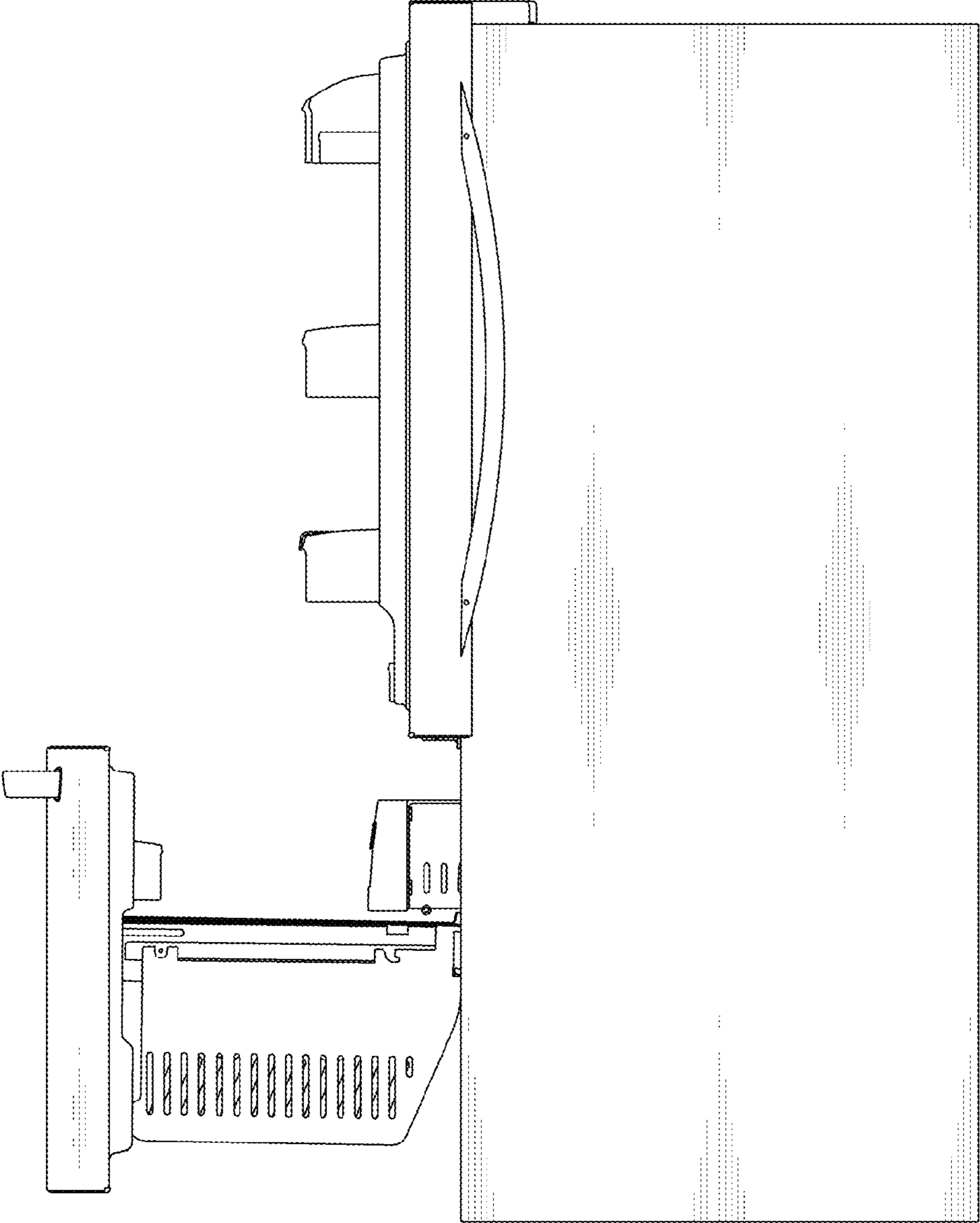


FIG. 6

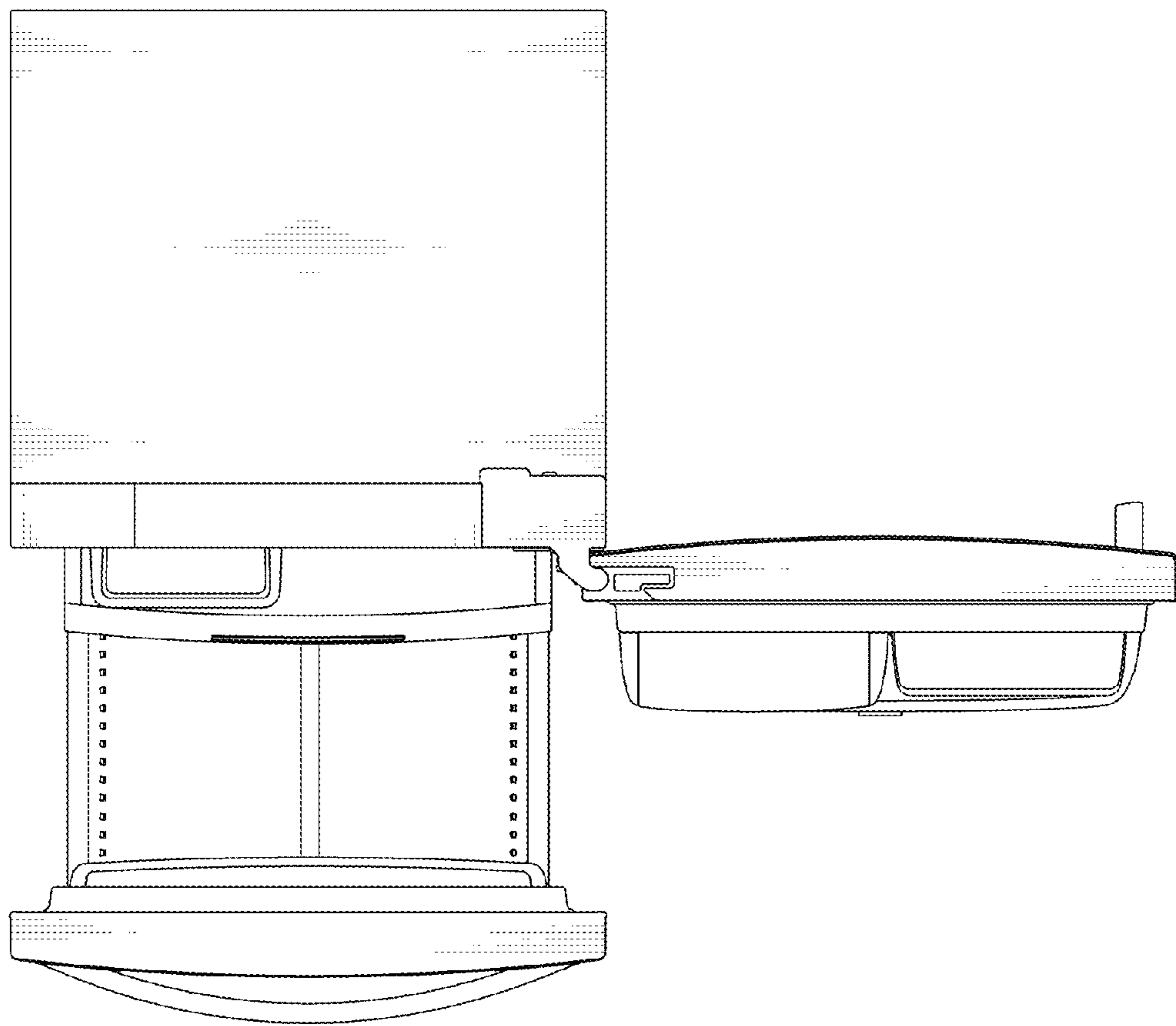


FIG. 7

