



US00D718346S

(12) **United States Design Patent**
Cho et al.

(10) **Patent No.:** **US D718,346 S**

(45) **Date of Patent:** **** Nov. 25, 2014**

(54) **REFRIGERATOR**

(71) Applicant: **LG Electronics Inc.**, Seoul (KR)

(72) Inventors: **Kyeongchul Cho**, Gyeonggi-do (KR);
Seonkyu Kim, Seoul (KR); **Hyun Choi**,
Gyeonggi-do (KR); **Seungjin Yoon**,
Gyeonggi-do (KR)

(73) Assignee: **LG Electronics Inc.**, Seoul (KR)

(**) Term: **14 Years**

(21) Appl. No.: **29/457,002**

(22) Filed: **Jun. 6, 2013**

(30) **Foreign Application Priority Data**

Dec. 6, 2012 (KR) 30-2012-0058711

(51) **LOC (10) Cl.** **15-07**

(52) **U.S. Cl.**
USPC **D15/81**

(58) **Field of Classification Search**
USPC D15/79-90; 62/3.6, 3.63, 3.64, 125,
62/126, 440-445; 312/311, 114-119,
312/138.1, 236, 321.5, 330.1, 400-408

See application file for complete search history.

(56) **References Cited**

U.S. PATENT DOCUMENTS

D175,010	S	*	6/1955	Boldt	D15/88
2,775,430	A	*	12/1956	Norberg	165/263
5,640,856	A	*	6/1997	Cho	62/465
D514,136	S	*	1/2006	Becke	D15/81
D620,505	S	*	7/2010	Baacke et al.	D15/81
D670,316	S	*	11/2012	Grutzke et al.	D15/81
D673,589	S	*	1/2013	Ringemann et al.	D15/89
2013/0134854	A1	*	5/2013	You et al.	312/405

* cited by examiner

Primary Examiner — Thomas Johannes

Assistant Examiner — Khawaja Anwar

(74) *Attorney, Agent, or Firm* — Morgan, Lewis & Bockius LLP

(57) **CLAIM**

The ornamental design for a refrigerator, as shown and described.

DESCRIPTION

FIG. 1 is a front, right side, perspective view of a refrigerator showing our new design;

FIG. 2 is a front view thereof;

FIG. 3 is a rear view thereof;

FIG. 4 is a left side view thereof;

FIG. 5 is a right side view thereof;

FIG. 6 is a top view thereof; and,

FIG. 7 is a bottom view thereof.

1 Claim, 5 Drawing Sheets

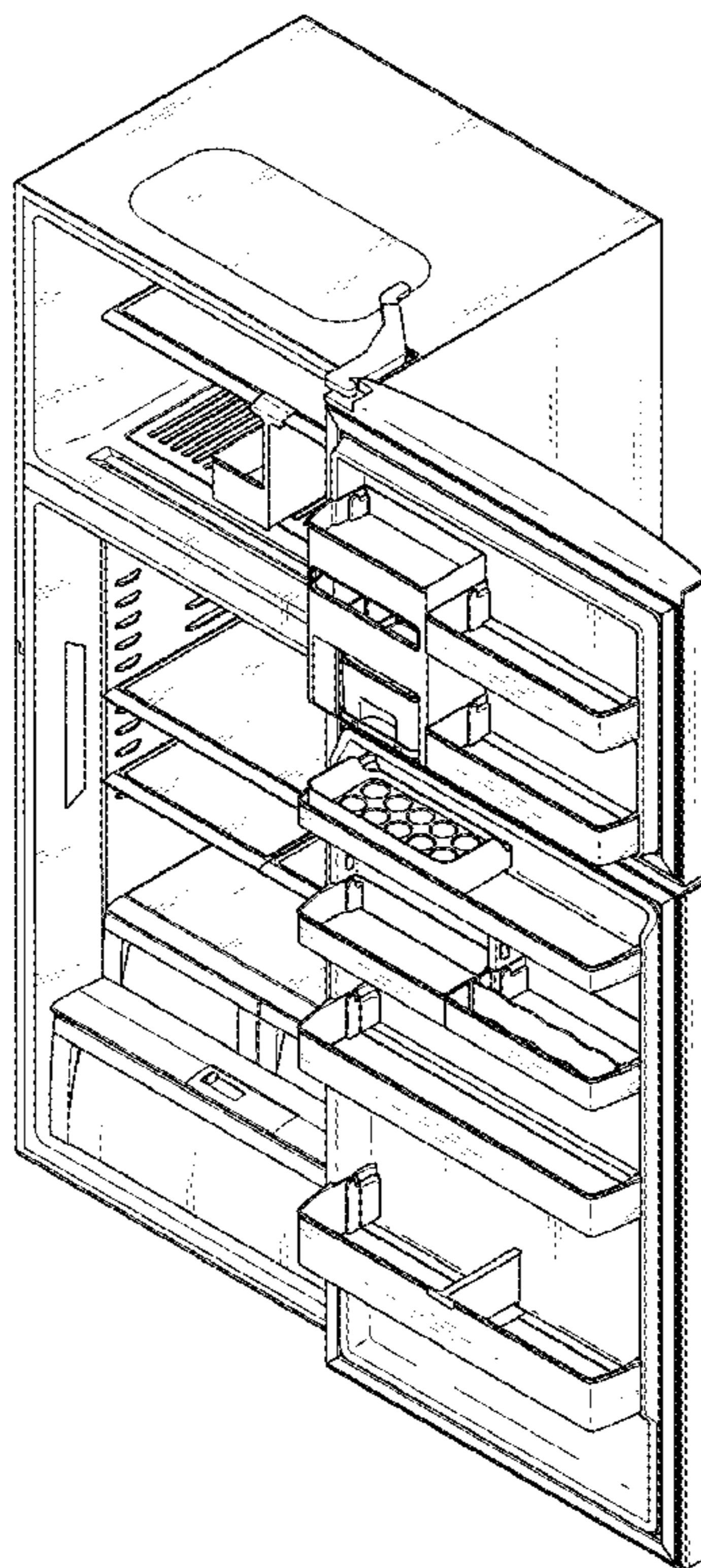


FIG. 1

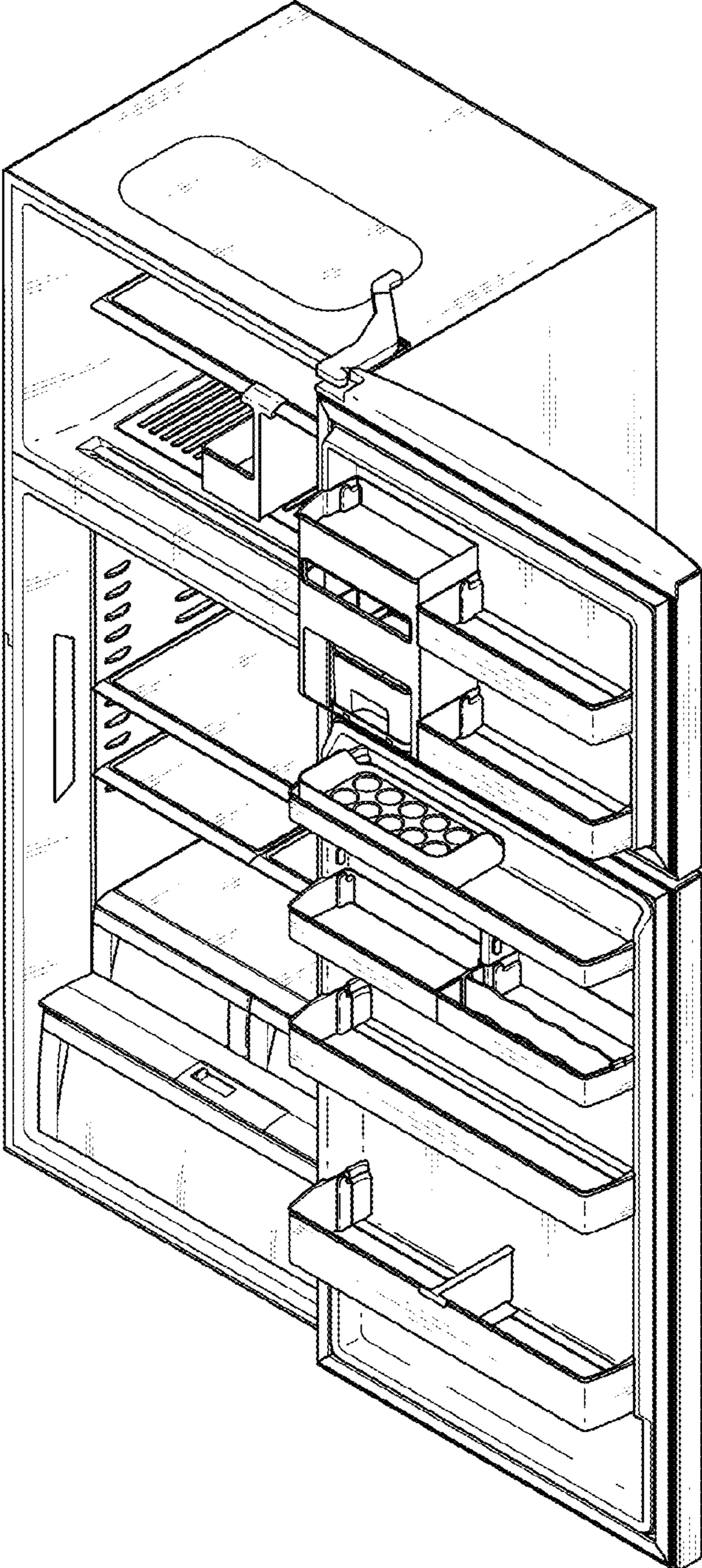


FIG. 3

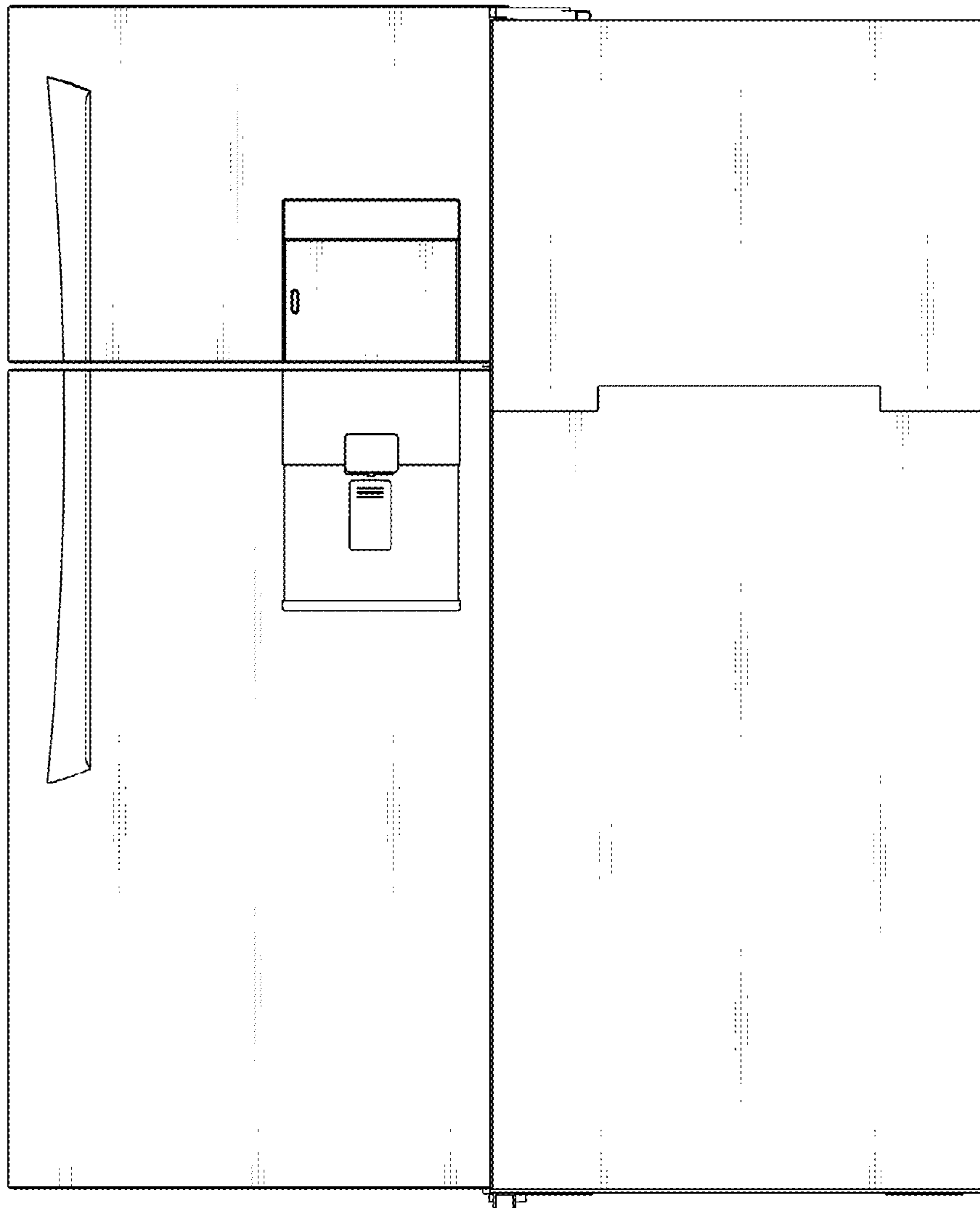


FIG. 4

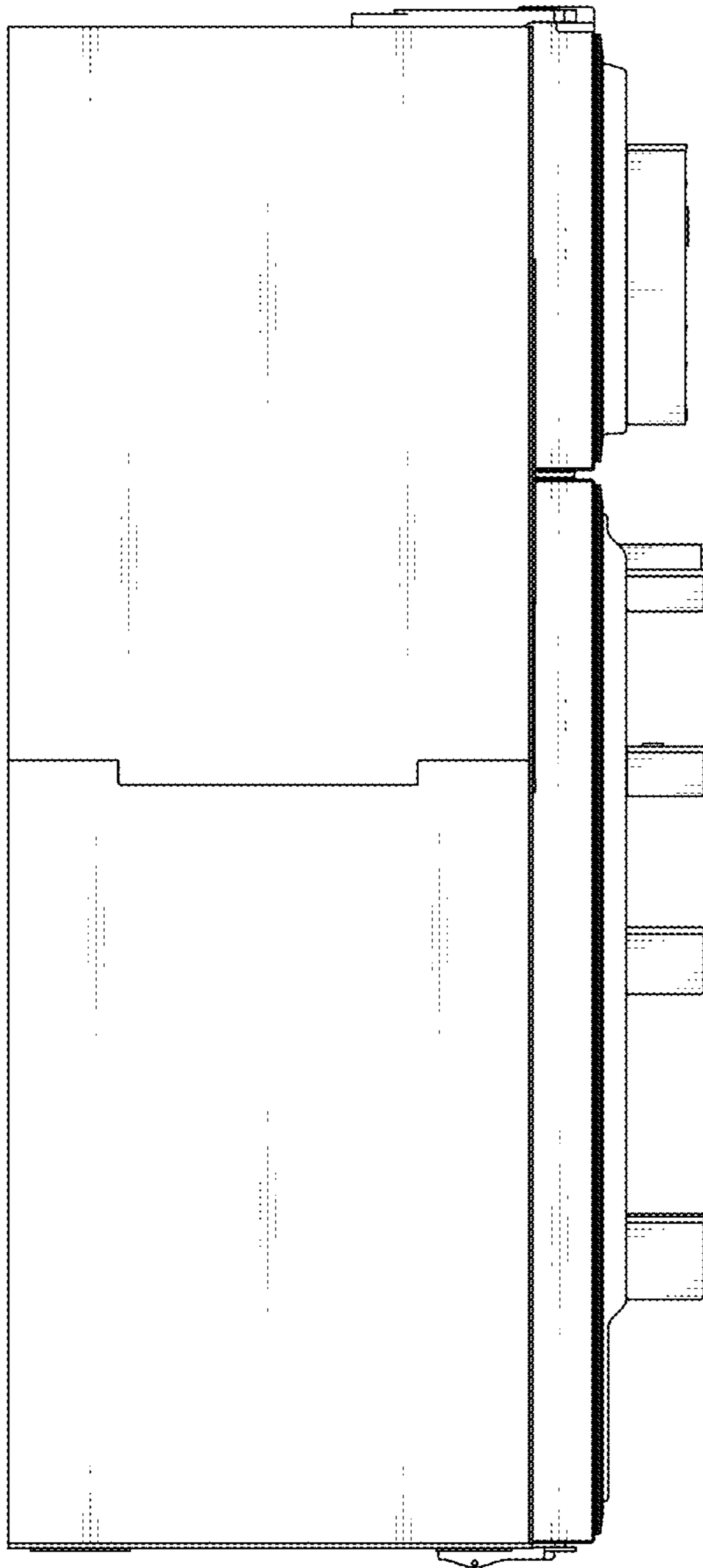


FIG. 5

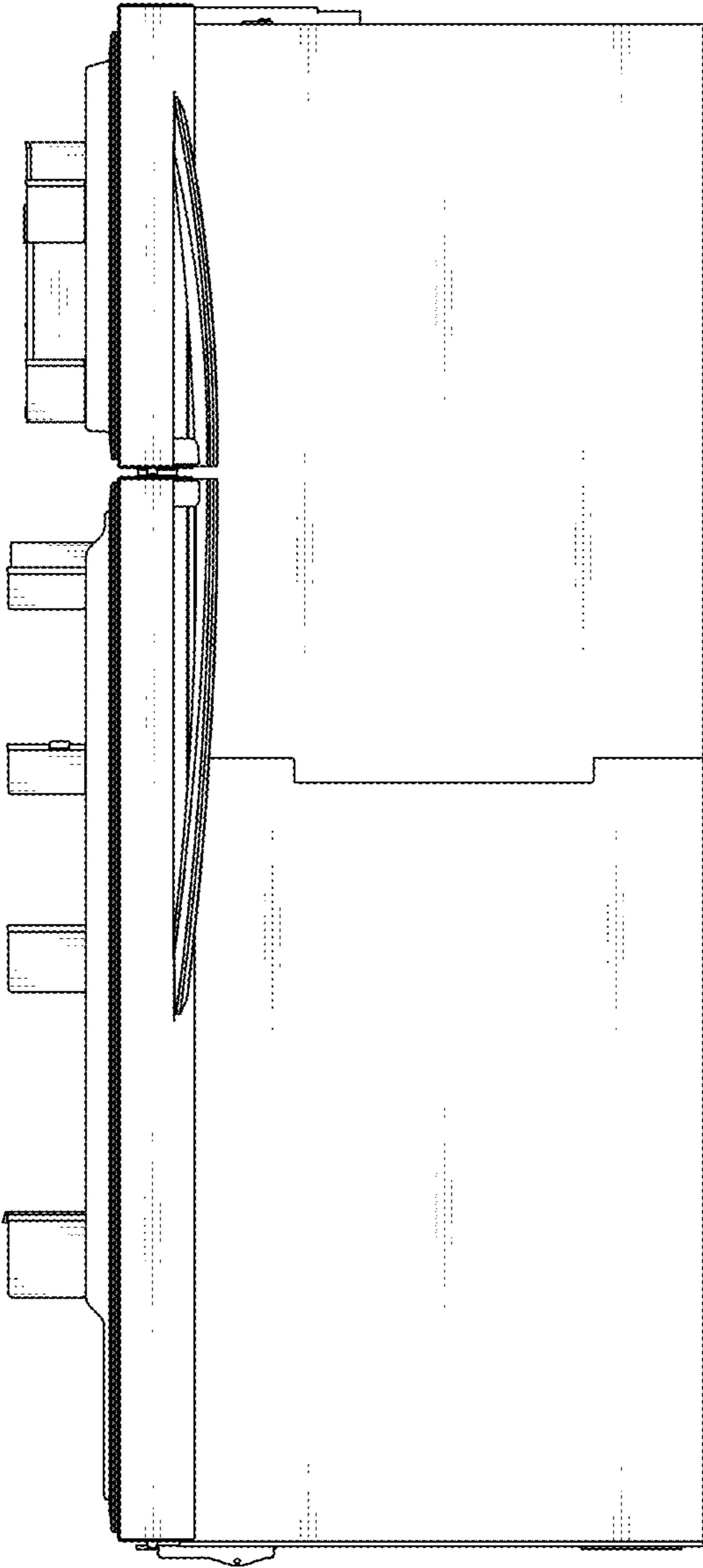


FIG. 6

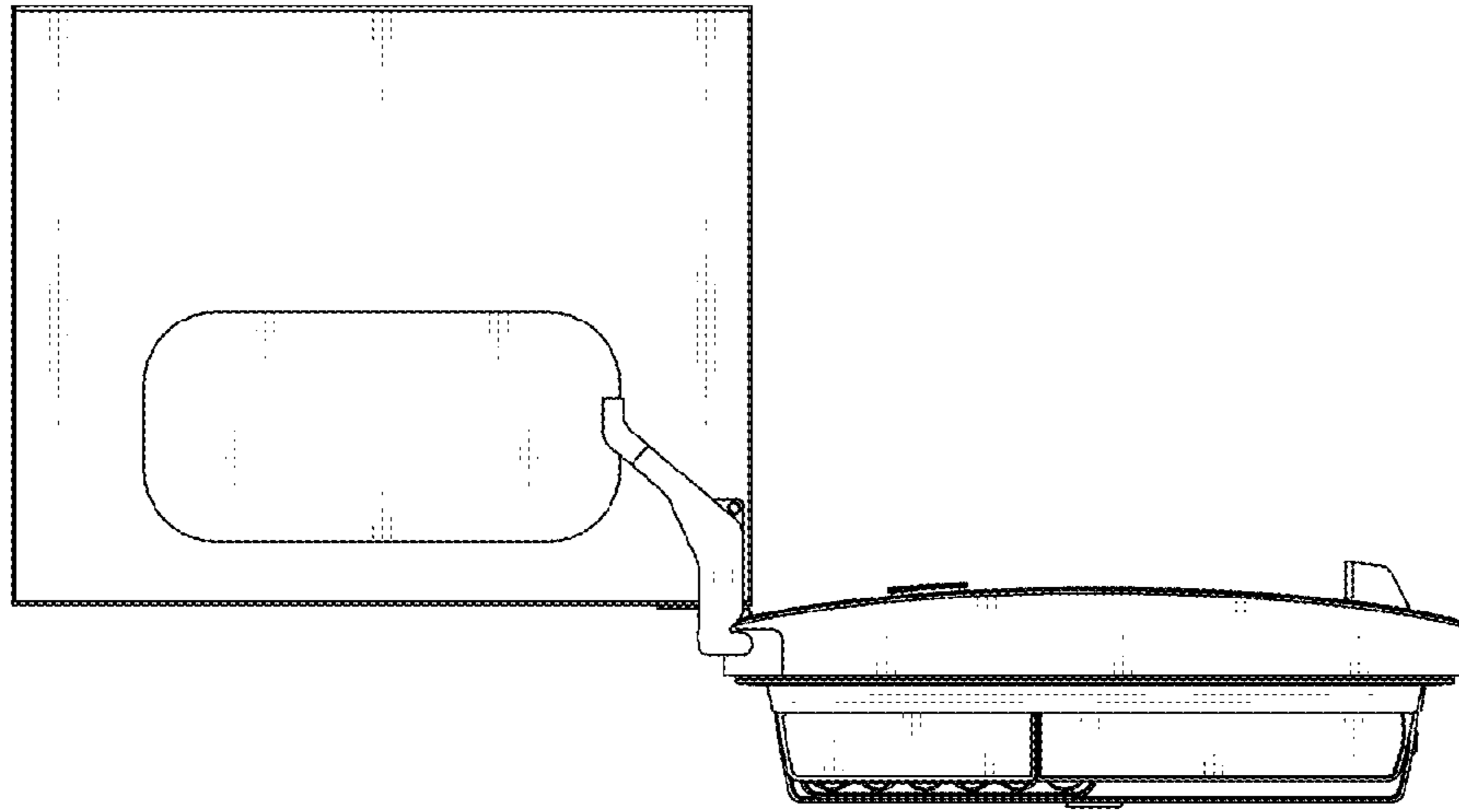


FIG. 7

