



US00D718344S

(12) **United States Design Patent**
Brockway

(10) **Patent No.:** **US D718,344 S**

(45) **Date of Patent:** **** Nov. 25, 2014**

- (54) **COMPACTION CLEAT BASE**
- (71) Applicant: **Terra Compactor Wheel Corp.**,
Plymouth, WI (US)
- (72) Inventor: **Robert John Brockway**, Plymouth, WI
(US)
- (73) Assignee: **Terra Compactor Wheel Corp.**,
Plymouth, WI (US)
- (**) Term: **14 Years**
- (21) Appl. No.: **29/496,283**

5,687,799 A	11/1997	Greenfield et al.
D388,677 S	1/1998	Inai
6,042,192 A	3/2000	Brockway
D430,172 S	8/2000	Kesavan
6,273,516 B1	8/2001	Brockway
D453,940 S	2/2002	McCartney
D476,018 S	6/2003	Hayashi et al.
6,632,045 B1	10/2003	McCartney
6,652,186 B2	11/2003	Bierwith
6,682,262 B2	1/2004	Caron et al.
6,712,551 B2 *	3/2004	Livesay et al. 404/124
6,837,649 B2 *	1/2005	Livesay et al. 404/124
6,991,401 B1	1/2006	Caron
7,108,452 B2	9/2006	Caron et al.
7,163,354 B2	1/2007	Runestad
D538,828 S	3/2007	Stern

(Continued)

- (22) Filed: **Jul. 11, 2014**
- (51) **LOC (10) Cl.** **15-03**
- (52) **U.S. Cl.**
USPC **D15/28; D15/29**
- (58) **Field of Classification Search**
USPC D15/20, 21, 28, 29; D12/604; 404/121,
404/90, 124, 122; 301/43, 44.1-44.4;
172/122, 540, 554; 37/452, 453, 455
See application file for complete search history.

Primary Examiner — Mark Goodwin

(74) *Attorney, Agent, or Firm* — Ziolkowski Patent
Solutions Group, SC

(57) **CLAIM**

The ornamental design for a compaction cleat base, as shown
and described.

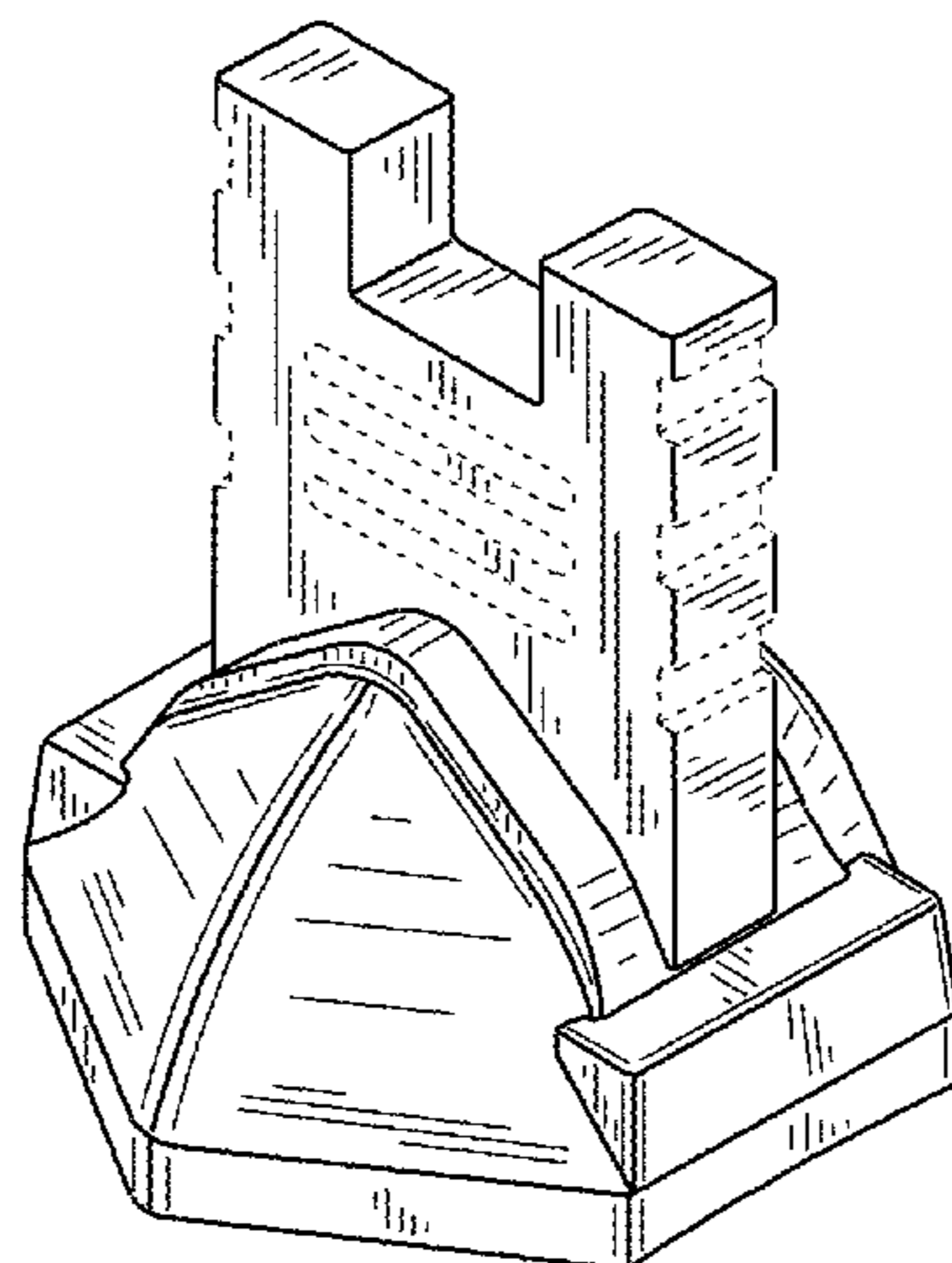
DESCRIPTION

FIG. 1 is a perspective view of a compaction cleat base in accordance with an embodiment of the present invention. FIG. 2 is a front elevational view thereof; FIG. 3 is a side elevational view thereof; FIG. 4 is a top plan view thereof; and FIG. 5 is a bottom plan view thereof. FIG. 6 is an exploded perspective view of a compaction cleat that includes the compaction cleat base of FIG. 1. FIG. 7 is an exploded perspective view of a compaction cleat that includes the compaction cleat base of FIG. 1; and, FIG. 8 is an exploded perspective view of a compaction cleat that includes the compaction cleat base of FIG. 1. Any broken lines shown in all figures are for illustrative purposes only and form no part of the claimed design.

1 Claim, 6 Drawing Sheets

(56) **References Cited**
U.S. PATENT DOCUMENTS

3,650,185 A	3/1972	Takata
3,891,341 A	6/1975	Trainor et al.
4,074,942 A	2/1978	Cochran
4,481,728 A	11/1984	Mulder et al.
4,668,122 A	5/1987	Riddle
4,919,566 A	4/1990	Caron et al.
H946 H	8/1991	Lonn
5,217,321 A	6/1993	Corcoran et al.
5,217,322 A	6/1993	Corcoran et al.
D338,677 S	8/1993	Corcoran et al.
D338,898 S	8/1993	Corcoran et al.
D359,054 S	6/1995	Gale et al.
5,581,914 A	12/1996	Sinykin
D379,630 S	6/1997	Brockway
5,676,493 A	10/1997	Brockway



(56)

References Cited

U.S. PATENT DOCUMENTS

7,198,333 B1 4/2007 Freeman
D617,351 S 6/2010 Brockway
D617,817 S 6/2010 Brockway
8,333,439 B2 * 12/2012 Gibbins 301/44.1
D676,064 S 2/2013 Stinson
D686,641 S 7/2013 Brockway

D692,926 S * 11/2013 Caron et al. D15/28
8,696,239 B2 * 4/2014 Brockway 404/124
2002/0048489 A1 4/2002 Caron et al.
2003/0063951 A1 4/2003 Bierwith
2004/0033107 A1 2/2004 Caron et al.
2009/0045669 A1 2/2009 McPhail et al.
2012/0003041 A1 * 1/2012 McPhail et al. 404/121
2012/0003042 A1 1/2012 McPhail et al.

* cited by examiner

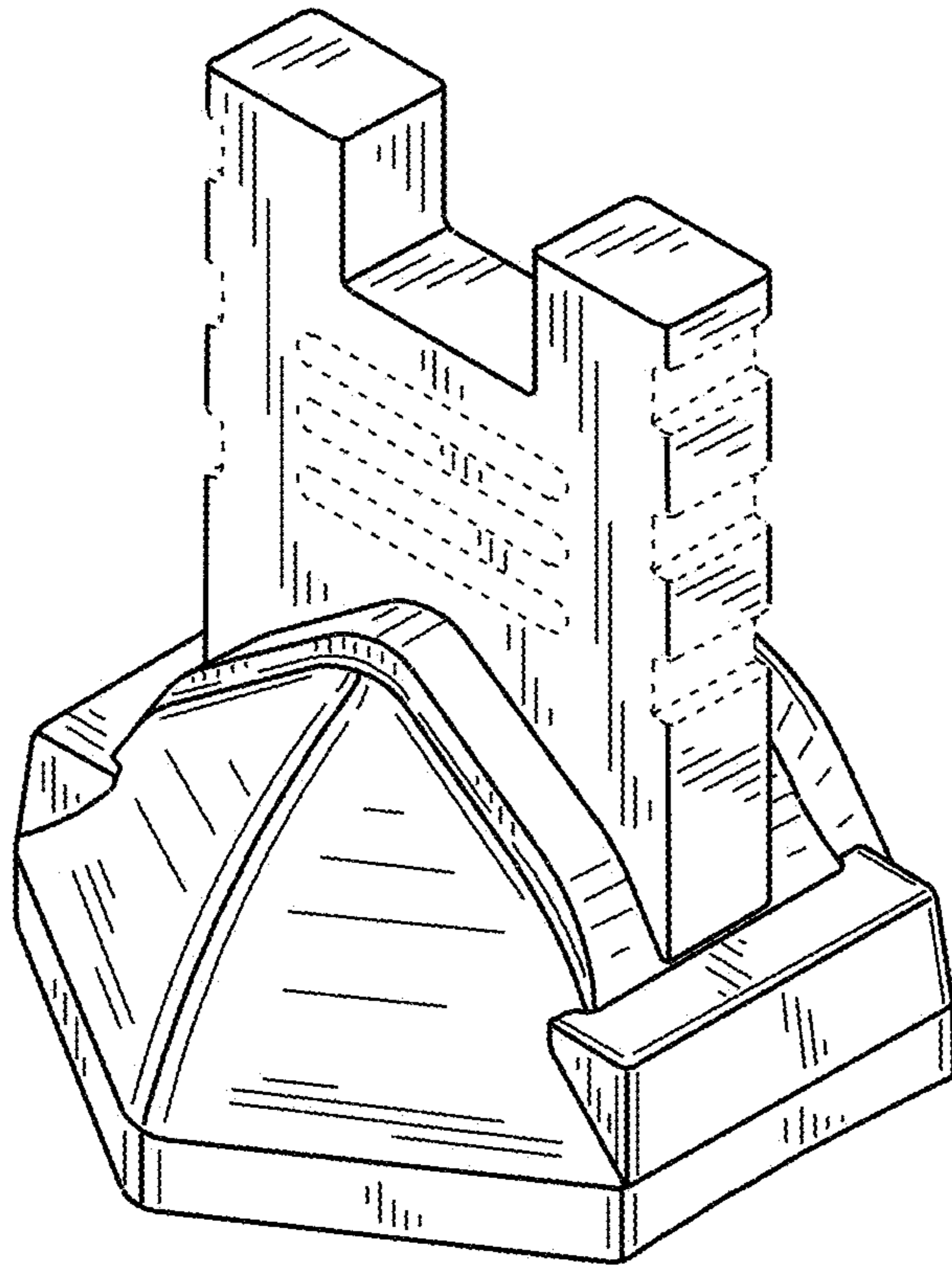


FIG. 1

FIG. 2

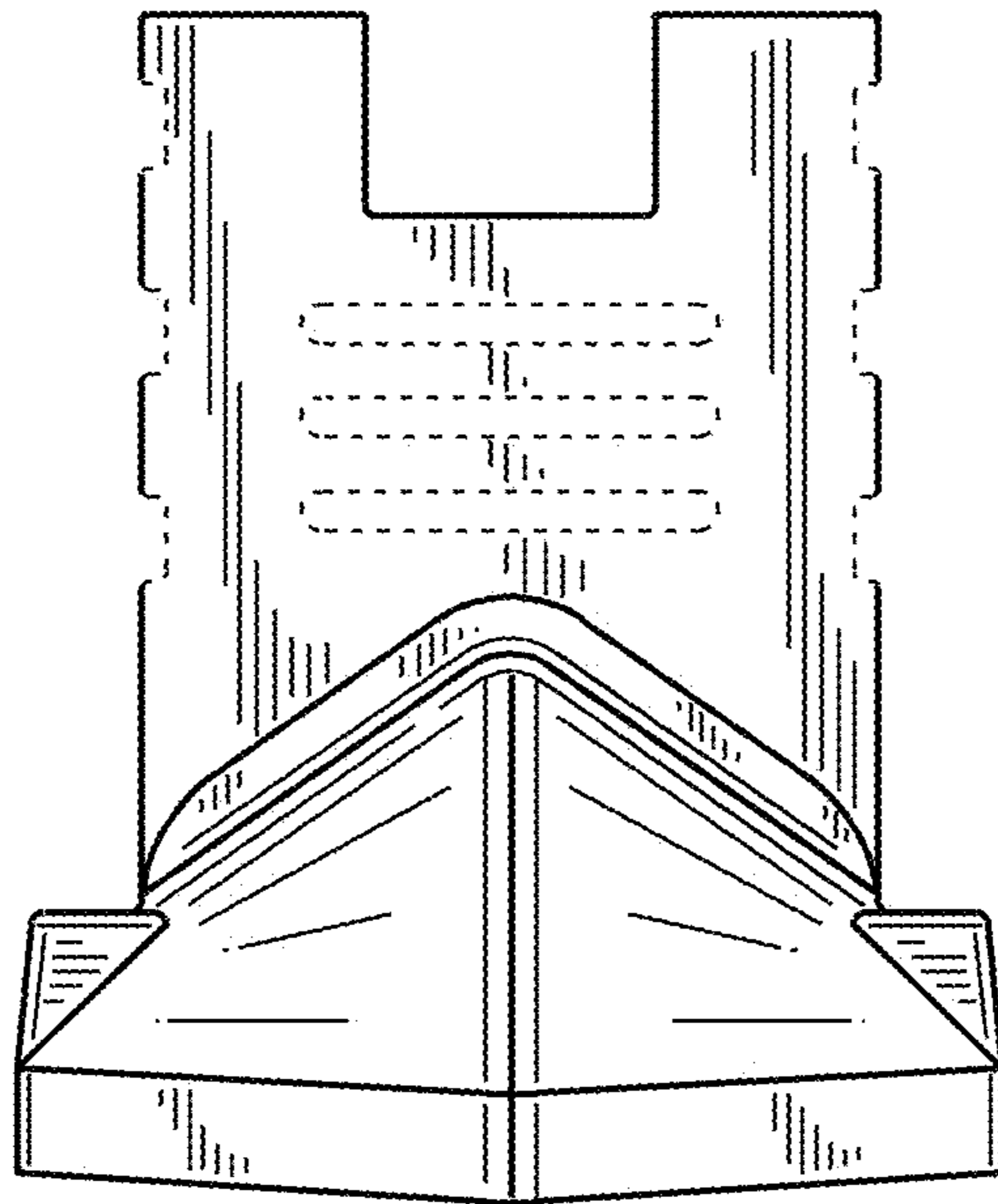


FIG. 3

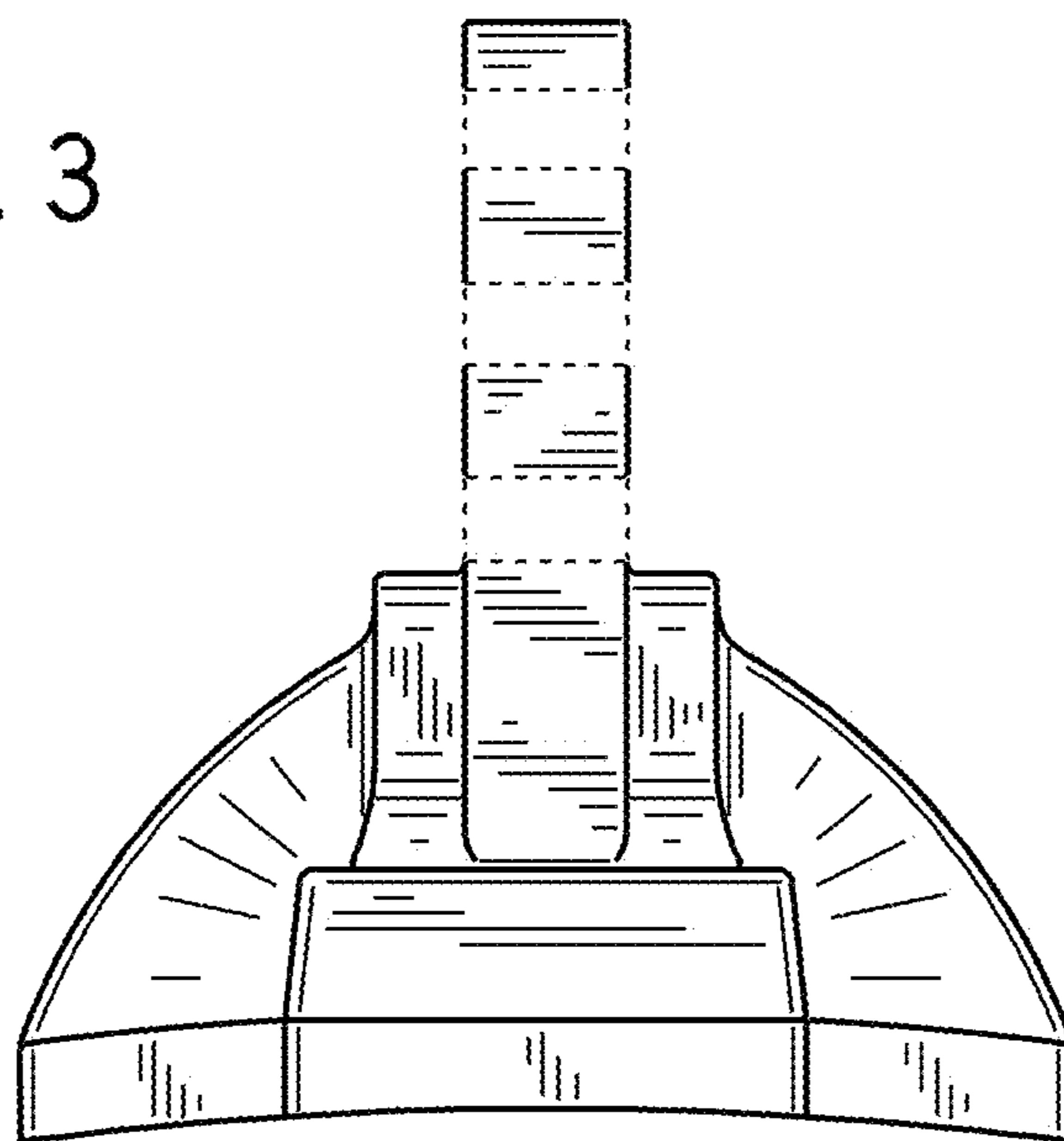


FIG. 4

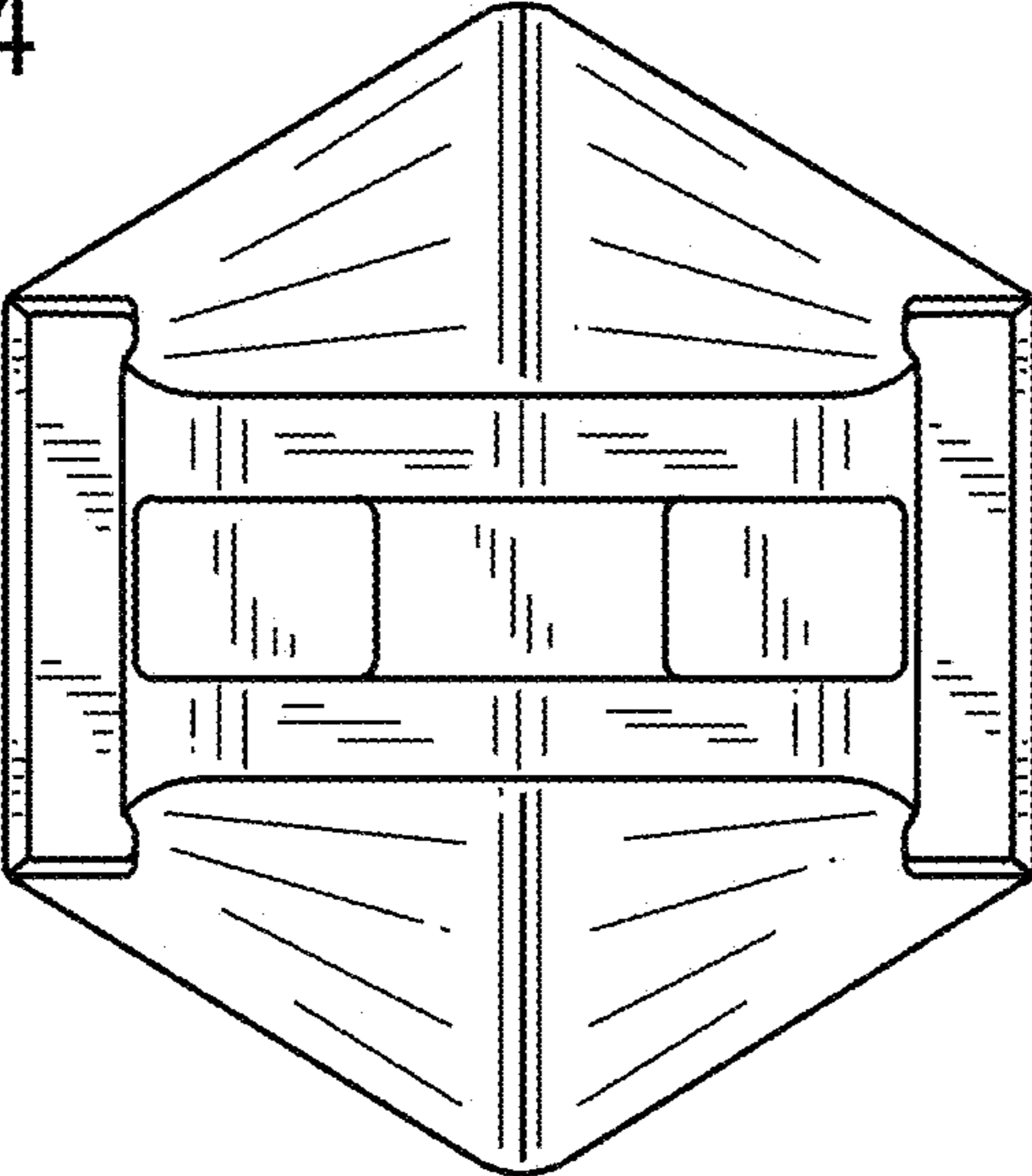
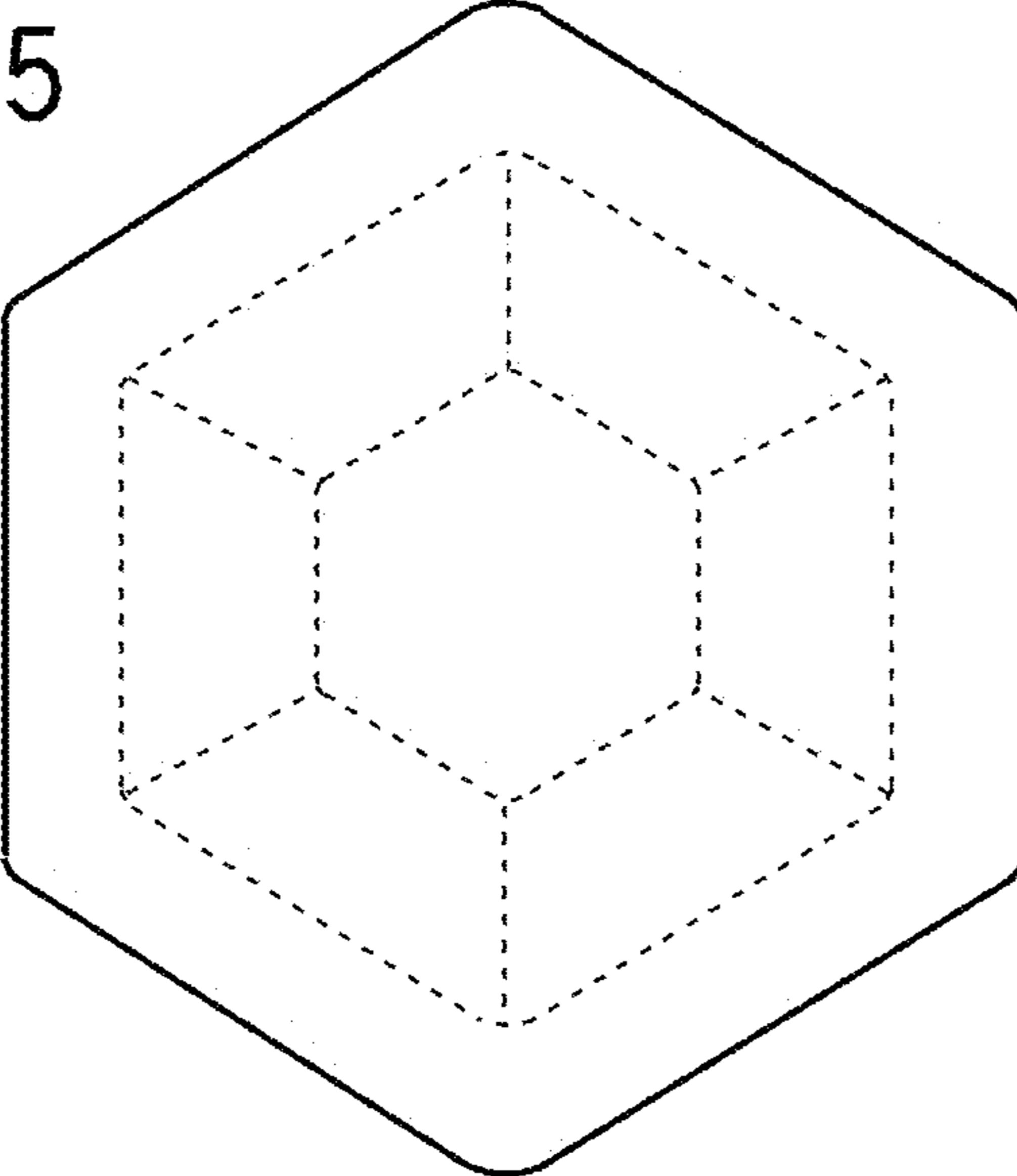


FIG. 5



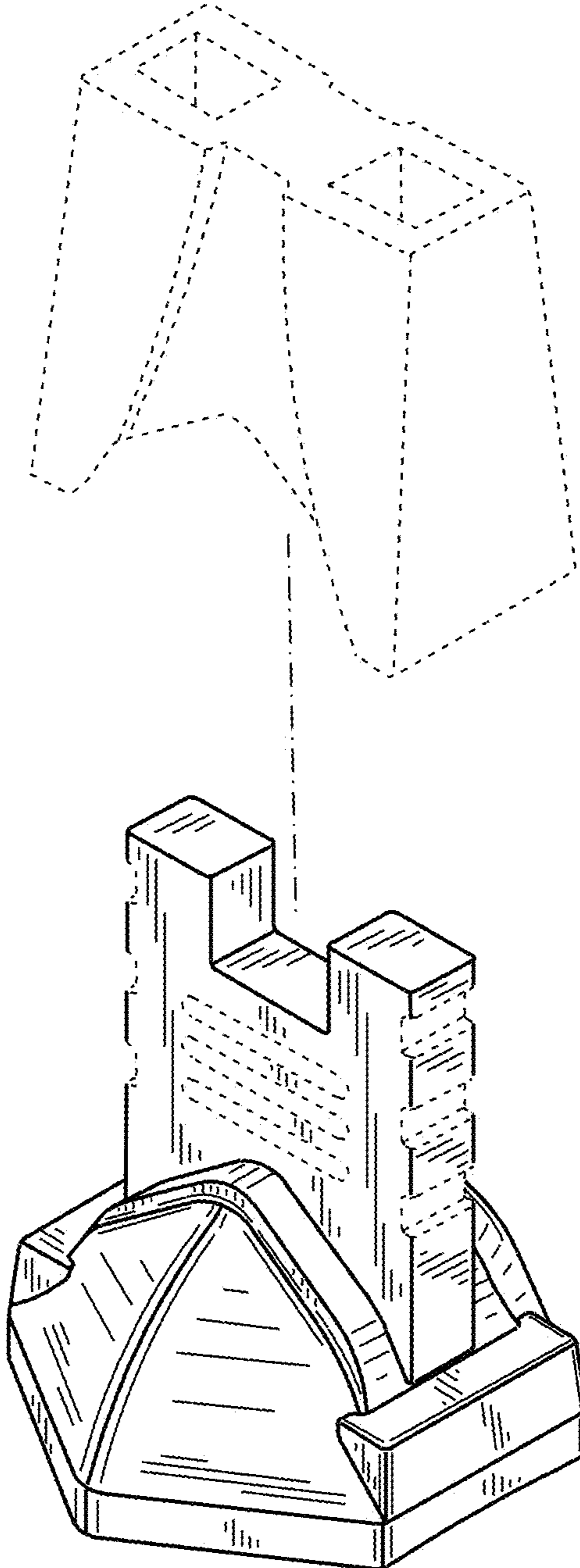


FIG. 6

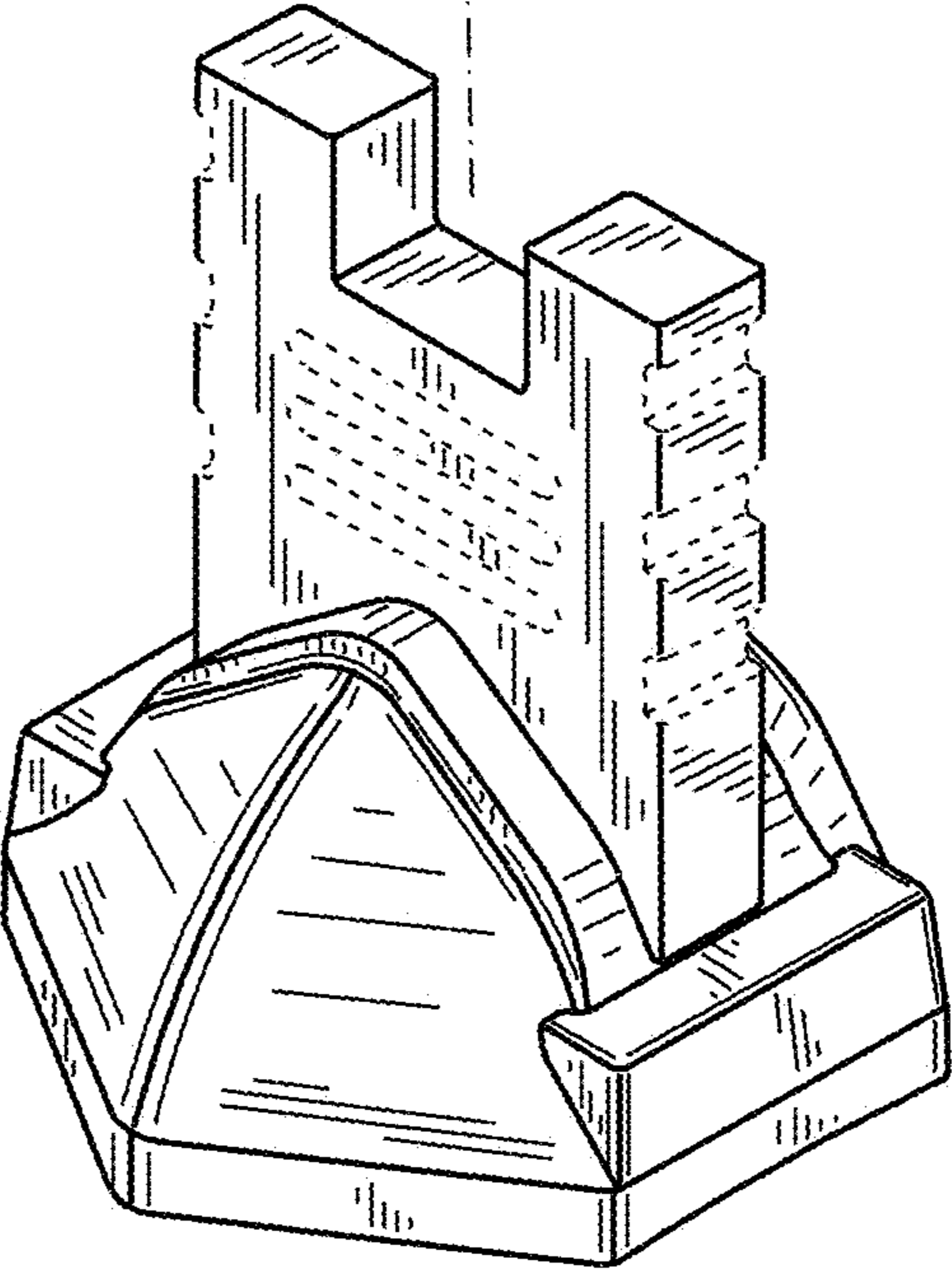
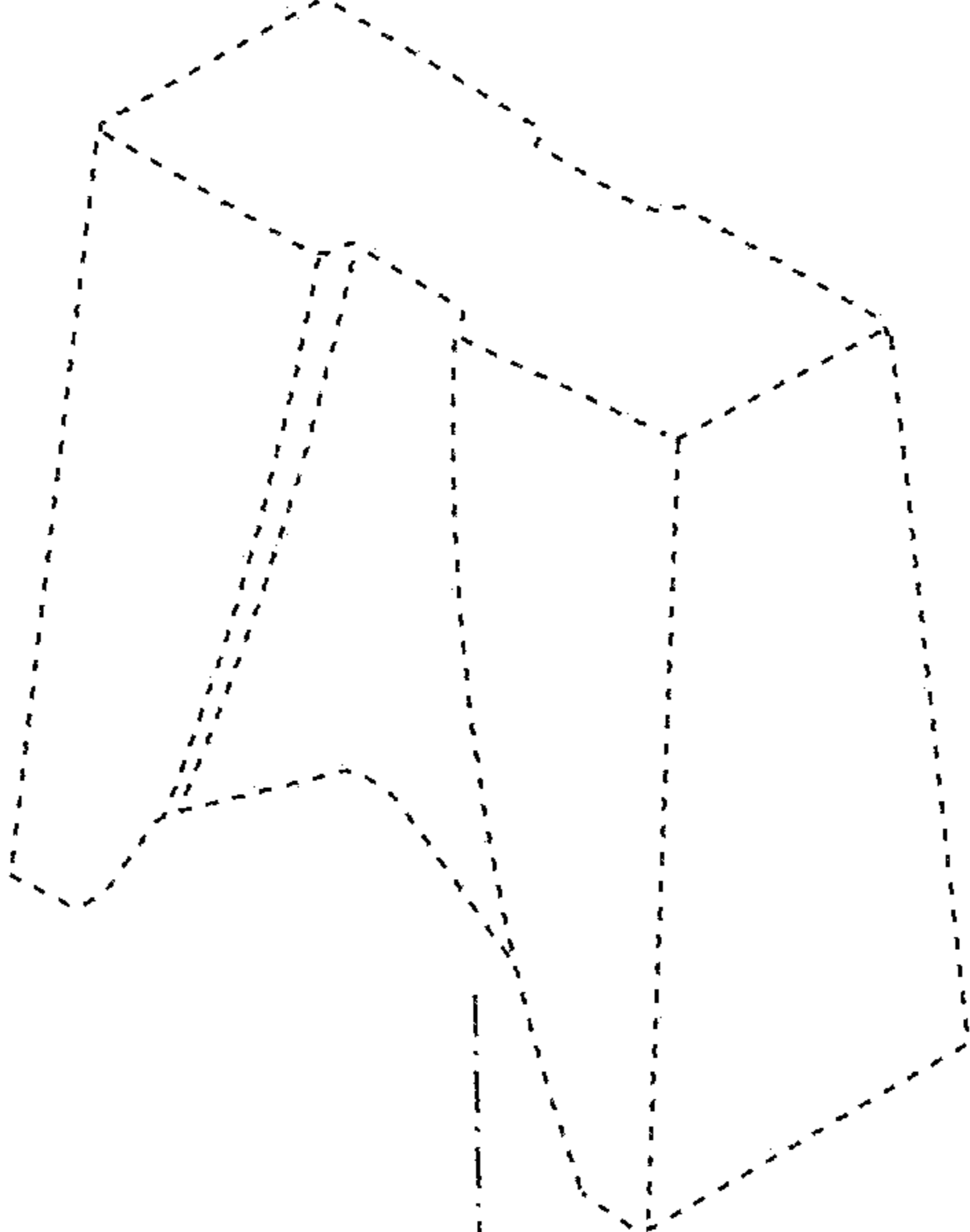


FIG. 7

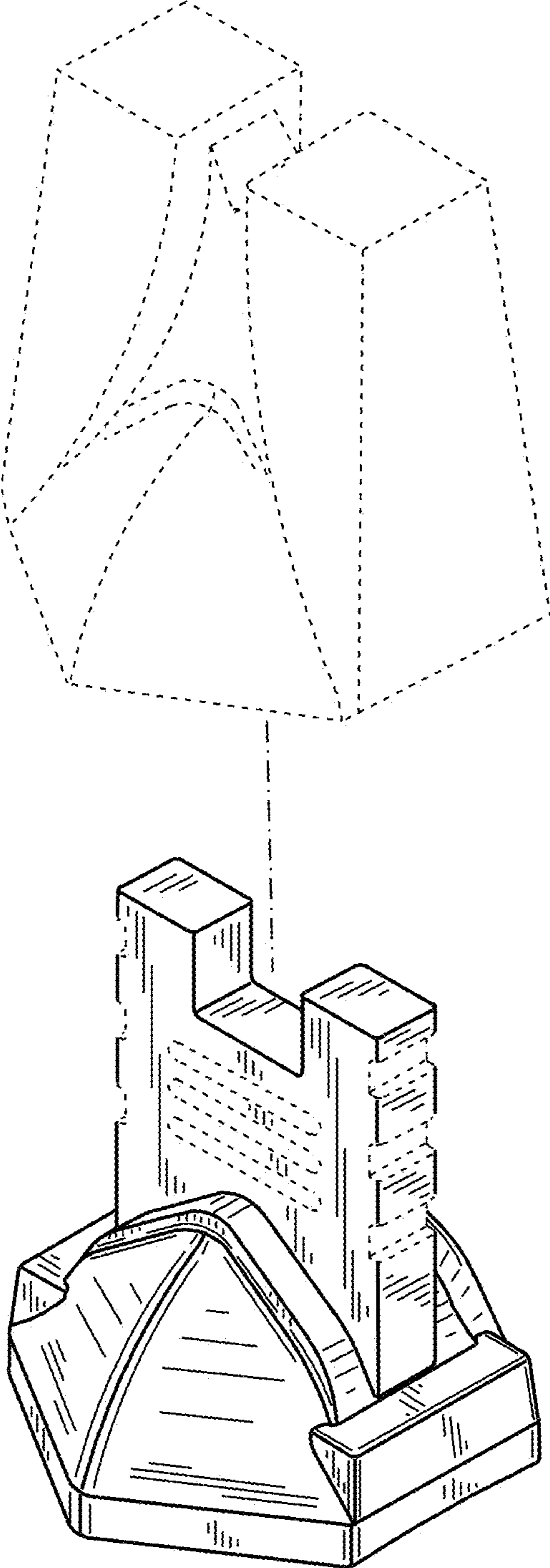


FIG. 8