



US00D718343S

(12) **United States Design Patent**  
**Carter et al.**

(10) **Patent No.:** **US D718,343 S**

(45) **Date of Patent:** **\*\* Nov. 25, 2014**

(54) **TRACTOR CONSOLE**

(56) **References Cited**

U.S. PATENT DOCUMENTS

(71) Applicant: **J.C. Bamford Excavators Limited,**  
Uttoxeter (GB)

4,126,202	A	*	11/1978	Hern	180/89.12
D256,018	S	*	7/1980	Stone et al.	D15/28
4,447,860	A	*	5/1984	Stone et al.	362/30
D365,574	S	*	12/1995	Westimayer et al.	D15/17
5,725,065	A	*	3/1998	Knurr et al.	180/69.2
D471,564	S	*	3/2003	Hohnl et al.	D15/28
D549,739	S	*	8/2007	Stephens	D15/28
D594,885	S	*	6/2009	Kuwae et al.	D15/28
D652,063	S	*	1/2012	Takeuchi et al.	D15/28
D652,433	S	*	1/2012	Takeuchi et al.	D15/28
8,474,562	B2	*	7/2013	Elhardt et al.	180/89.12
D692,466	S	*	10/2013	Takagi et al.	D15/28
2009/0236876	A1	*	9/2009	Sawai et al.	296/193.11
2013/0062904	A1	*	3/2013	Elhardt et al.	296/70

(72) Inventors: **Robin Carter,** Uttoxeter (GB); **Rodney Hitch,** Uttoxeter (GB); **Stewart Dicks,** Uttoxeter (GB); **Paul Thurman,** Uttoxeter (GB); **Michael Turner,** Uttoxeter (GB); **Samuel Jilbert,** Uttoxeter (GB); **Thomas Underhill,** Uttoxeter (GB)

\* cited by examiner

(73) Assignee: **J.C. Bamford Excavators Limited,**  
Rocester, Uttoxeter, Staffordshire (GB)

*Primary Examiner* — Mark Goodwin

(74) *Attorney, Agent, or Firm* — Marshall, Gerstein & Borun LLP

(\*\*) Term: **14 Years**

(57) **CLAIM**

(21) Appl. No.: **29/481,018**

The ornamental design for a tractor console, as shown and described.

(22) Filed: **Jan. 31, 2014**

**DESCRIPTION**

(51) **LOC (10) Cl.** ..... **15-03**

(52) **U.S. Cl.**  
USPC ..... **D15/28**

(58) **Field of Classification Search**  
USPC ..... D15/14, 15, 17, 22-26, 28, 31, 33;  
180/90, 69.24, 69.2, 69.21; 296/70,  
296/301, 72, 191, 192, 193.03; D12/192

FIG. 1 is a front elevation view of a tractor console showing the new design.

FIG. 2 is a left-side elevation view of the tractor console.

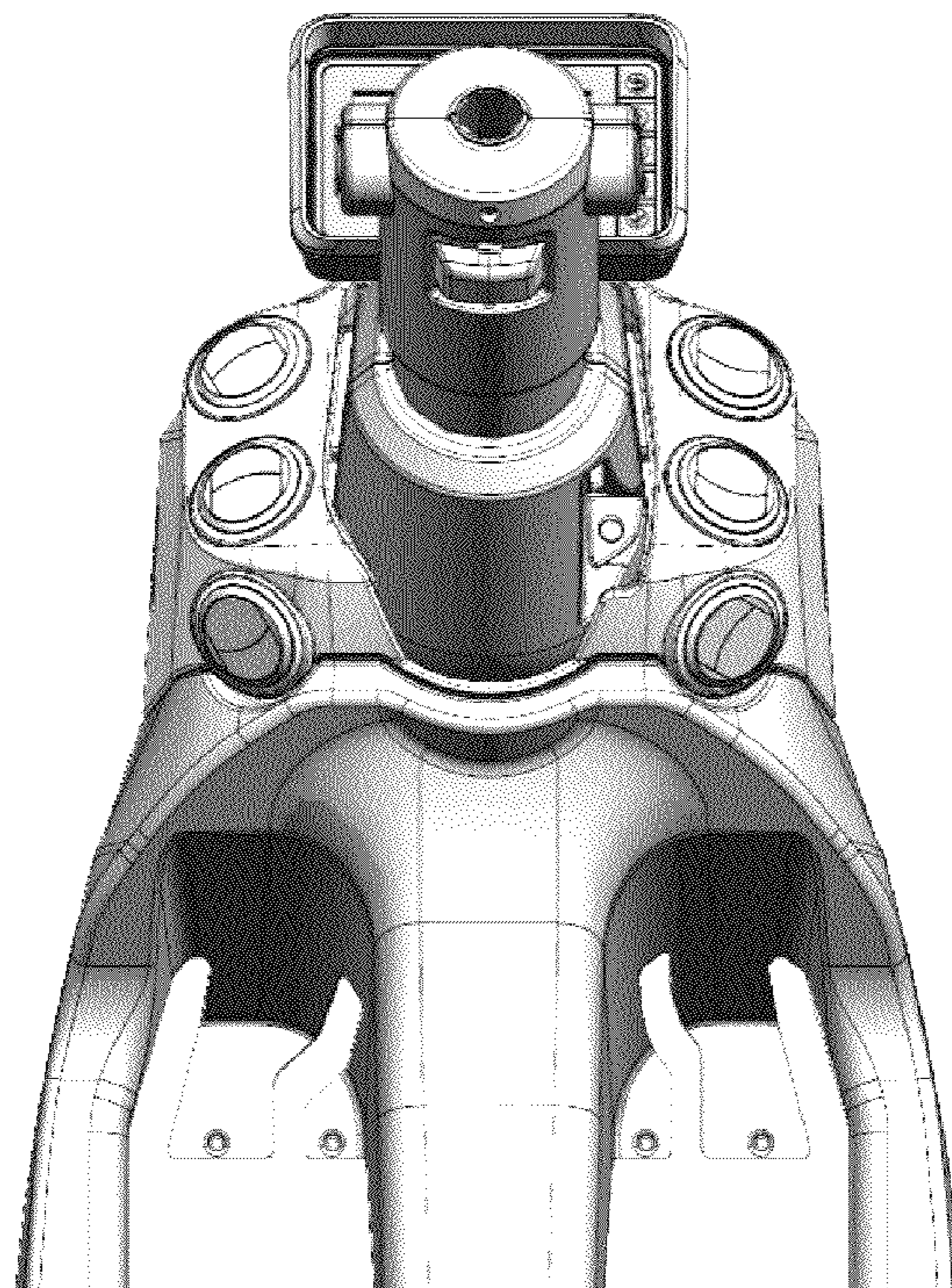
FIG. 3 is a right-side elevation view.

FIG. 4 is a rear elevation view; and,

FIG. 5 is a top plan view.

See application file for complete search history.

**1 Claim, 5 Drawing Sheets**



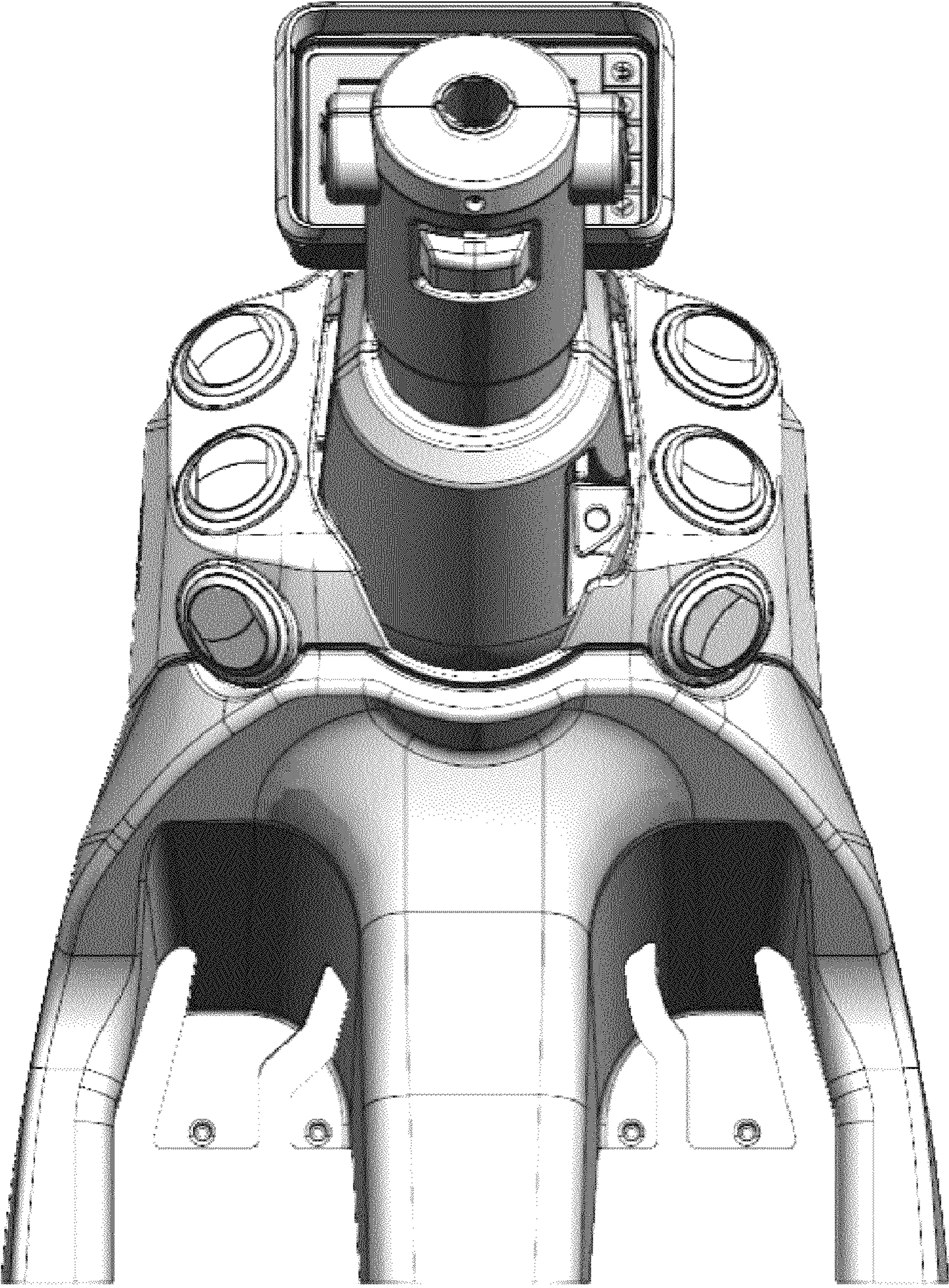


Fig. 1

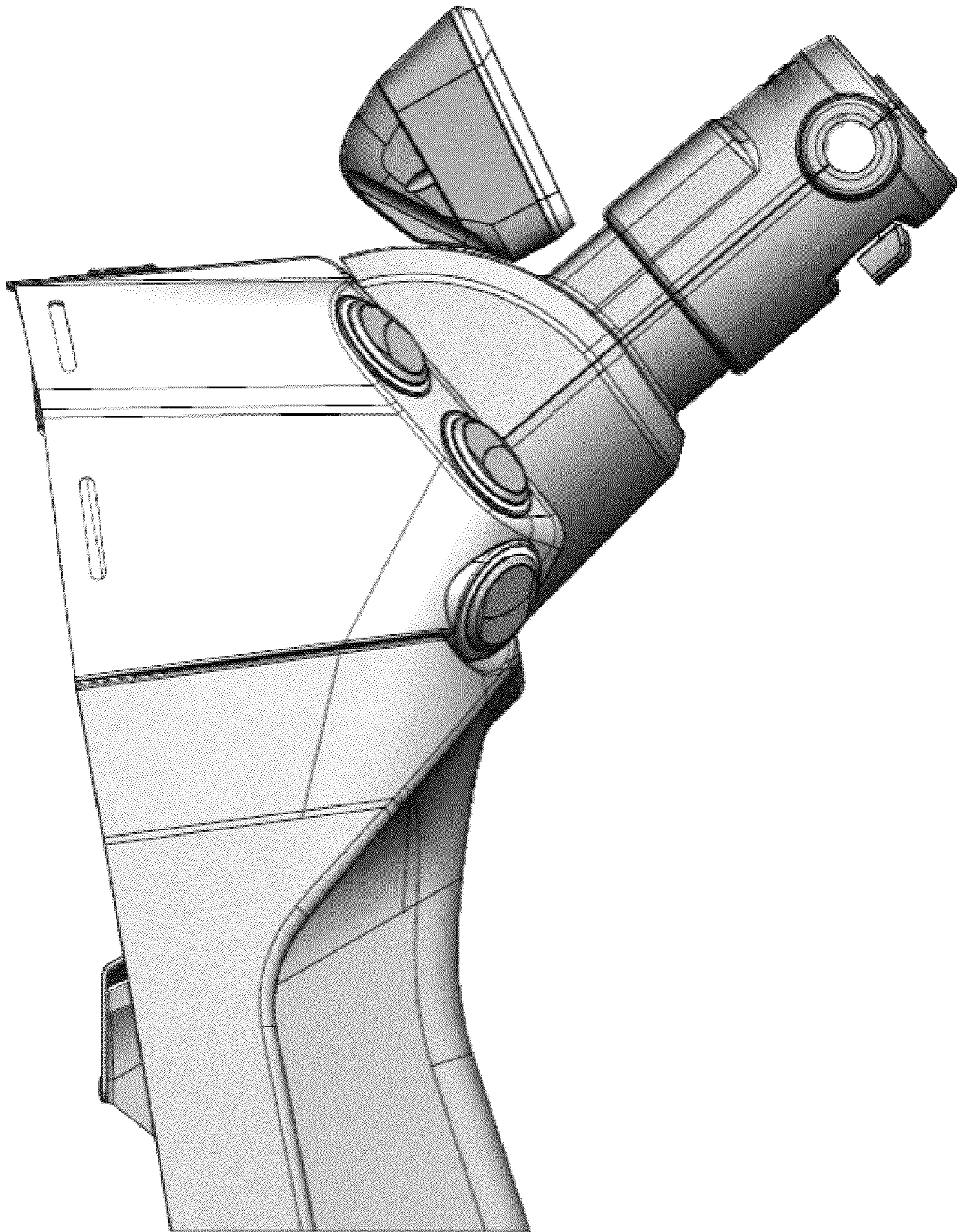


Fig. 2

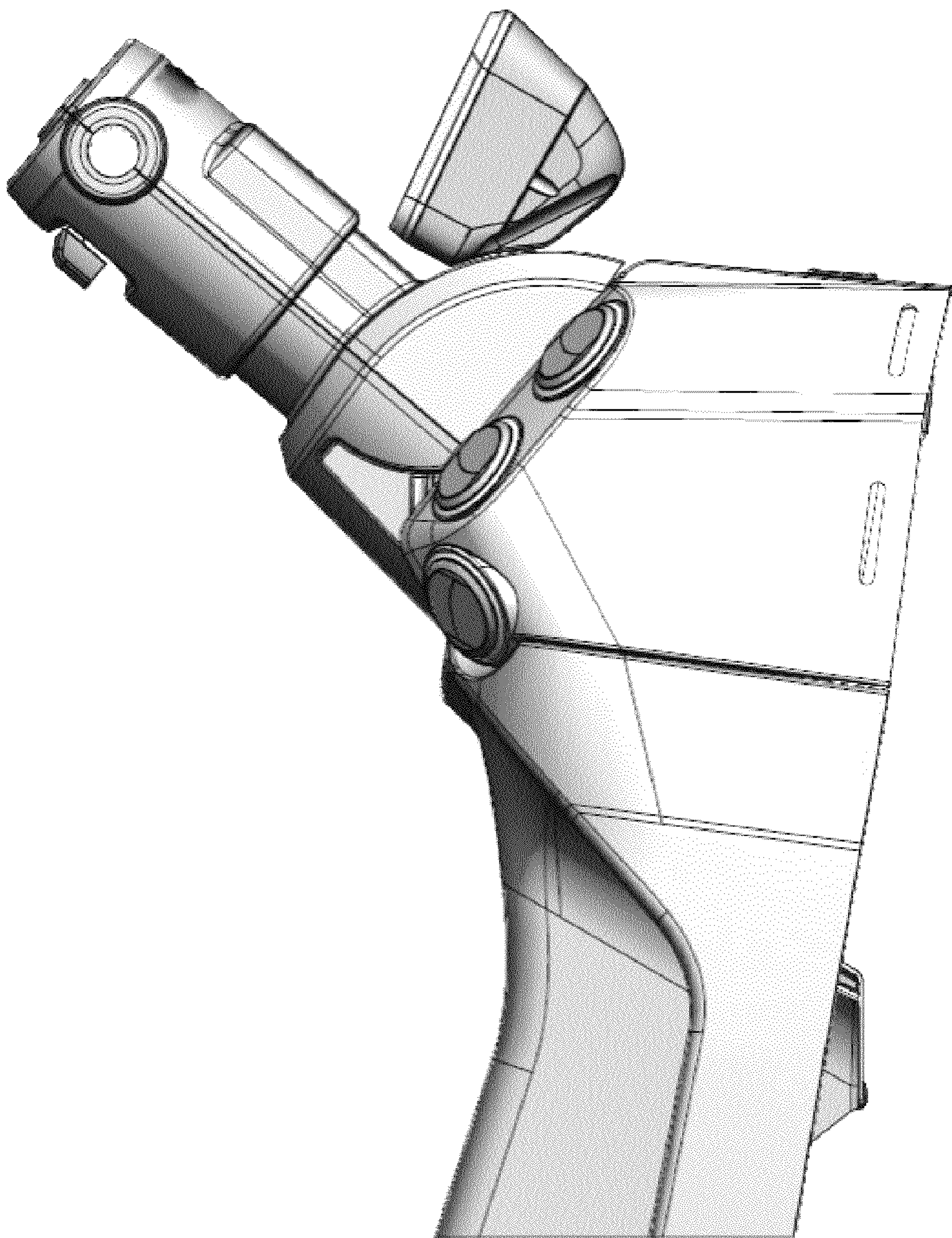


Fig. 3

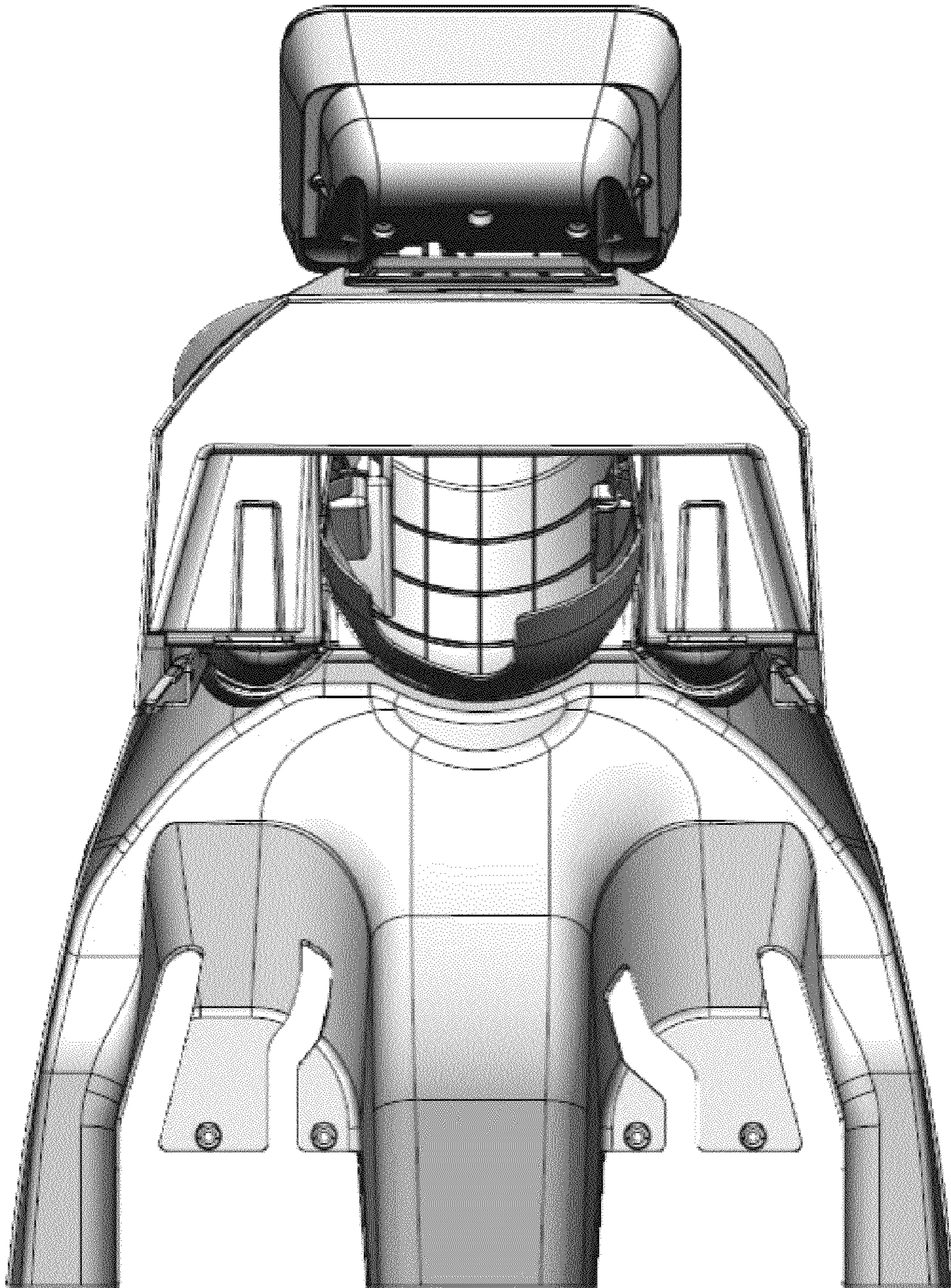


Fig. 4

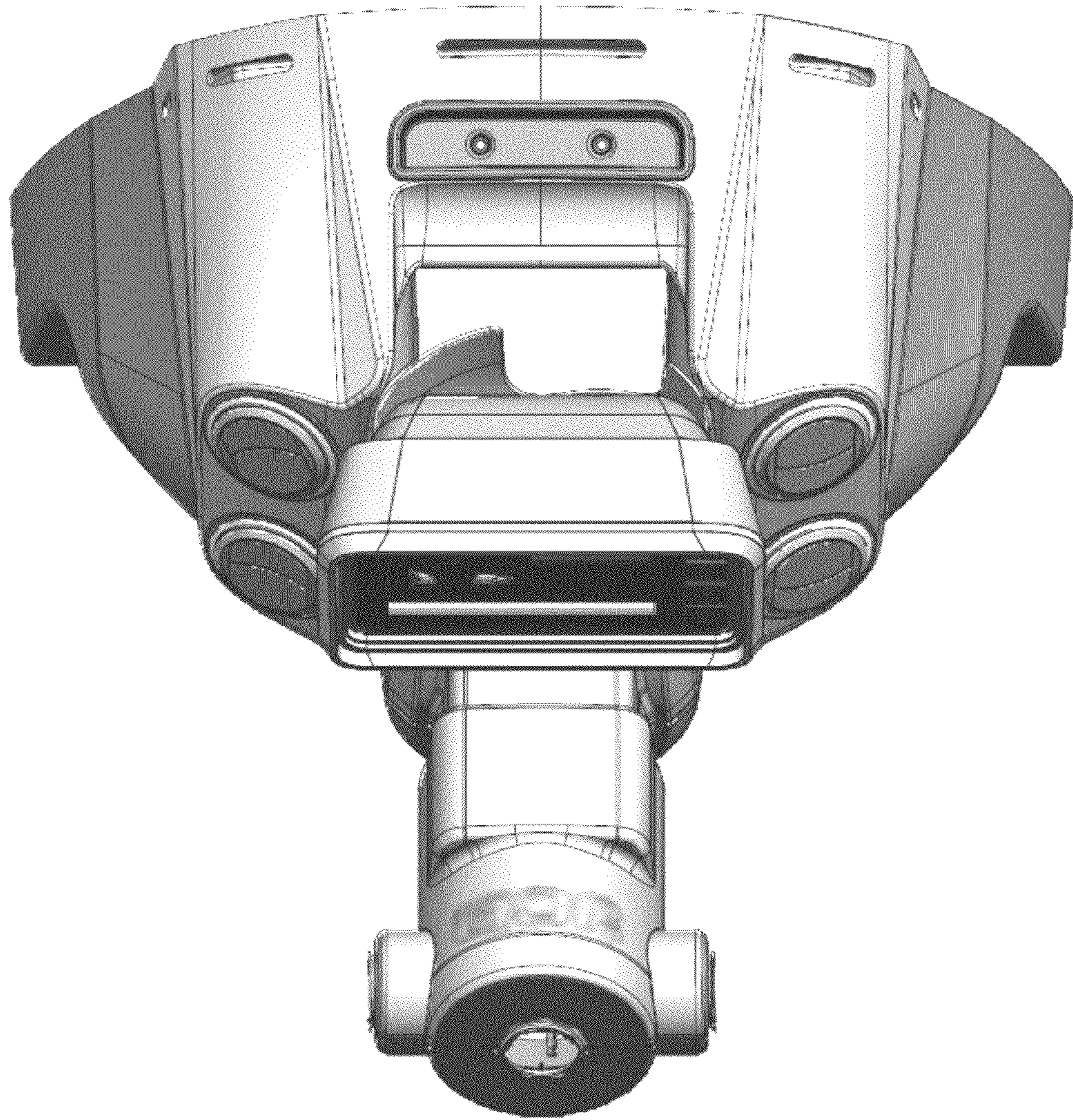


Fig. 5