



US00D718340S

(12) **United States Design Patent**
Damshak et al.

(10) **Patent No.:** **US D718,340 S**

(45) **Date of Patent:** **** Nov. 25, 2014**

(54) **SELF-POWERED ROBOTIC LAWN MOWER**

(71) Applicant: **F Robotics Acquisitions Ltd.**, Pardesia (IL)

(72) Inventors: **David Damshak**, Haifa (IL); **Izikim Goldman**, Hulon (IL); **Eran Zur**, Karkur (IL); **Ran Litvak**, Tel Aviv (IL); **Yoav Tikochinsky**, Tel Aviv (IL)

(73) Assignee: **F Robotics Acquisitions, Ltd.**, Pardesia (IL)

(**) Term: **14 Years**

(21) Appl. No.: **29/485,714**

(22) Filed: **Mar. 21, 2014**

(51) **LOC (10) Cl.** **15-03**

(52) **U.S. Cl.**
USPC **D15/14**

(58) **Field of Classification Search**
USPC D15/14, 17, 18; 56/11.9, 17.5, 13.4, 56/12.8, 16.7, 202, 255, 294, 295, 320.1, 56/320.2; 180/900, 89.1, 89.12
See application file for complete search history.

(56) **References Cited**

U.S. PATENT DOCUMENTS

D346,809 S *	5/1994	Burgos et al.	D15/14
D420,365 S *	2/2000	Gunnar	D15/14
D451,931 S *	12/2001	Abramson et al.	D15/14
D458,612 S *	6/2002	Scott et al.	D15/14
D458,613 S *	6/2002	Scott et al.	D15/14

D504,901 S *	5/2005	Wickstrom et al.	D15/14
D559,867 S *	1/2008	Abramson	D15/14
D566,136 S *	4/2008	Green	D15/14
D573,610 S *	7/2008	Abramson	D15/14
D648,354 S *	11/2011	Hattori et al.	D15/17
D652,431 S *	1/2012	Naslund	D15/14
D656,163 S *	3/2012	Johansson et al.	D15/14
D678,352 S *	3/2013	Maeda et al.	D15/17
D679,294 S *	4/2013	Tajik et al.	D15/17
D679,295 S *	4/2013	Tajik et al.	D15/17
D681,065 S *	4/2013	Maeda	D15/17

* cited by examiner

Primary Examiner — Mark Goodwin

(74) *Attorney, Agent, or Firm* — Gerry J. Elman; Elman Technology Law, P.C.

(57) **CLAIM**

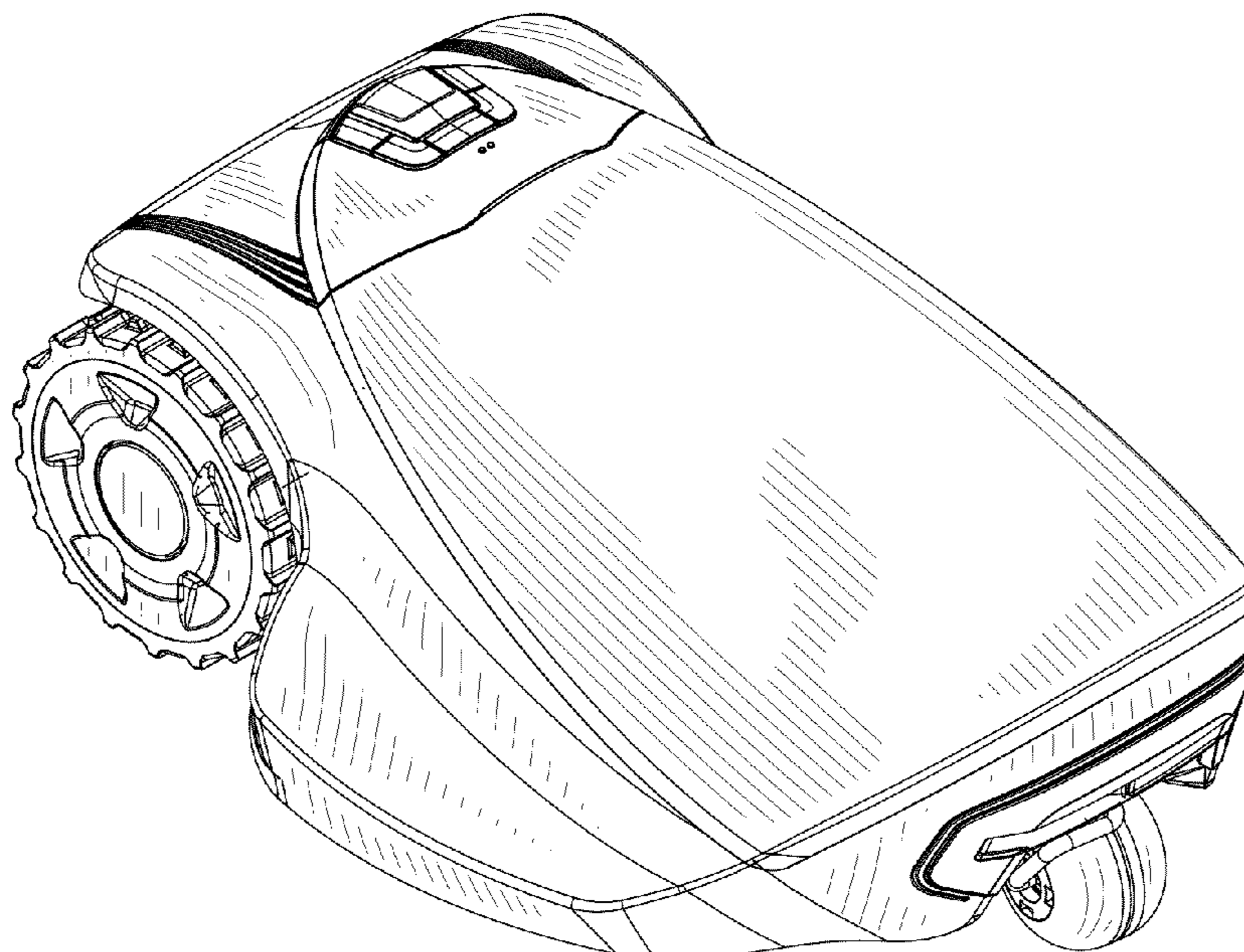
The ornamental design for a self-powered robotic lawn mower, as shown and described.

DESCRIPTION

FIG. 1 is a front perspective view of the self-powered robotic lawn mower showing our new design.
FIG. 2 is a rear perspective view.
FIG. 3 is a front elevation view.
FIG. 4 is a rear elevation view.
FIG. 5 is a left side elevation view.
FIG. 6 is a right side elevation view; and,
FIG. 7 is a plan view.

The article is a self-driving, self-directed robotic lawn mower that does not require human direction or power.
The shading lines shown in the drawings illustrate the three-dimensional shape of the self-powered robotic lawn mower.

1 Claim, 4 Drawing Sheets



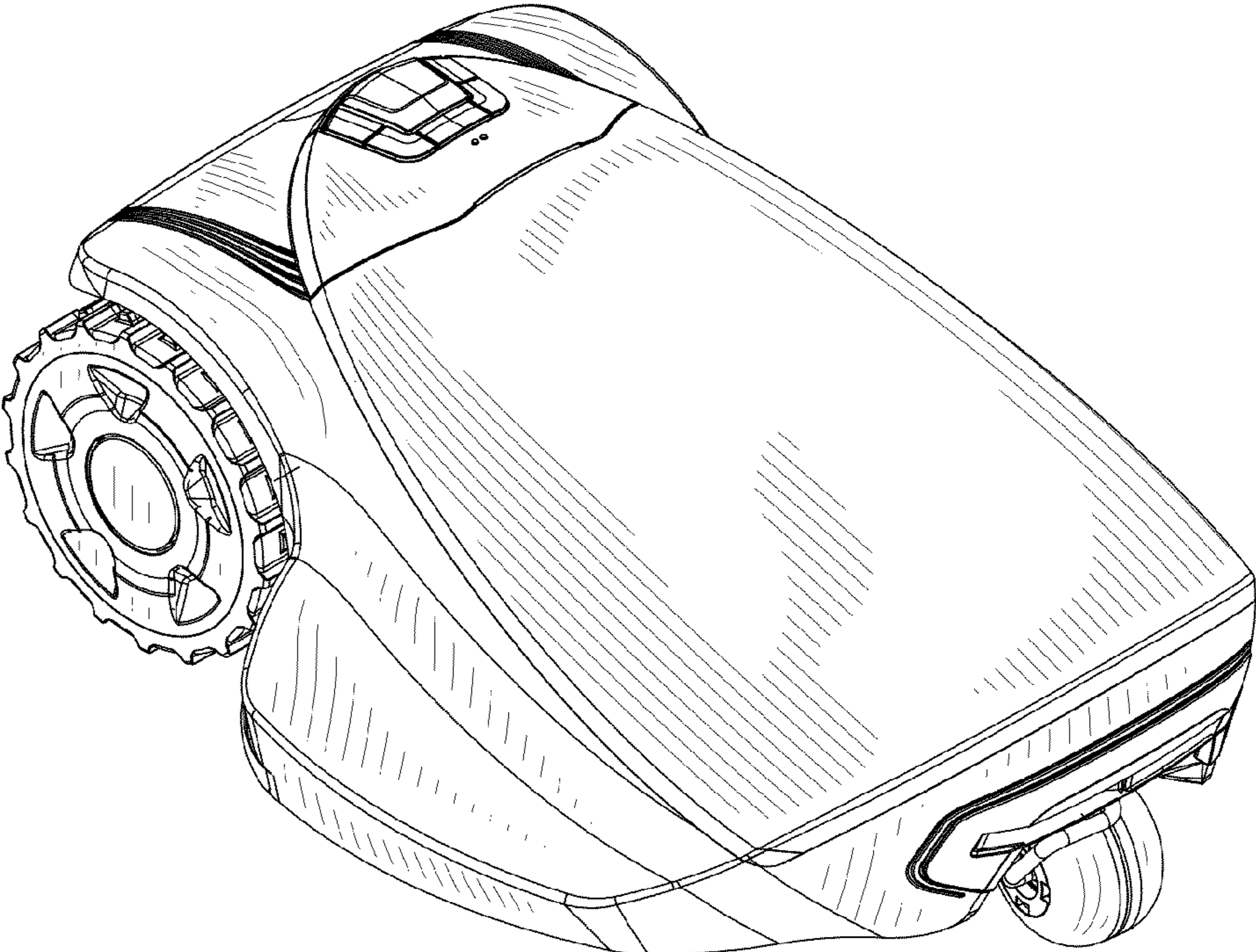


FIG. 1

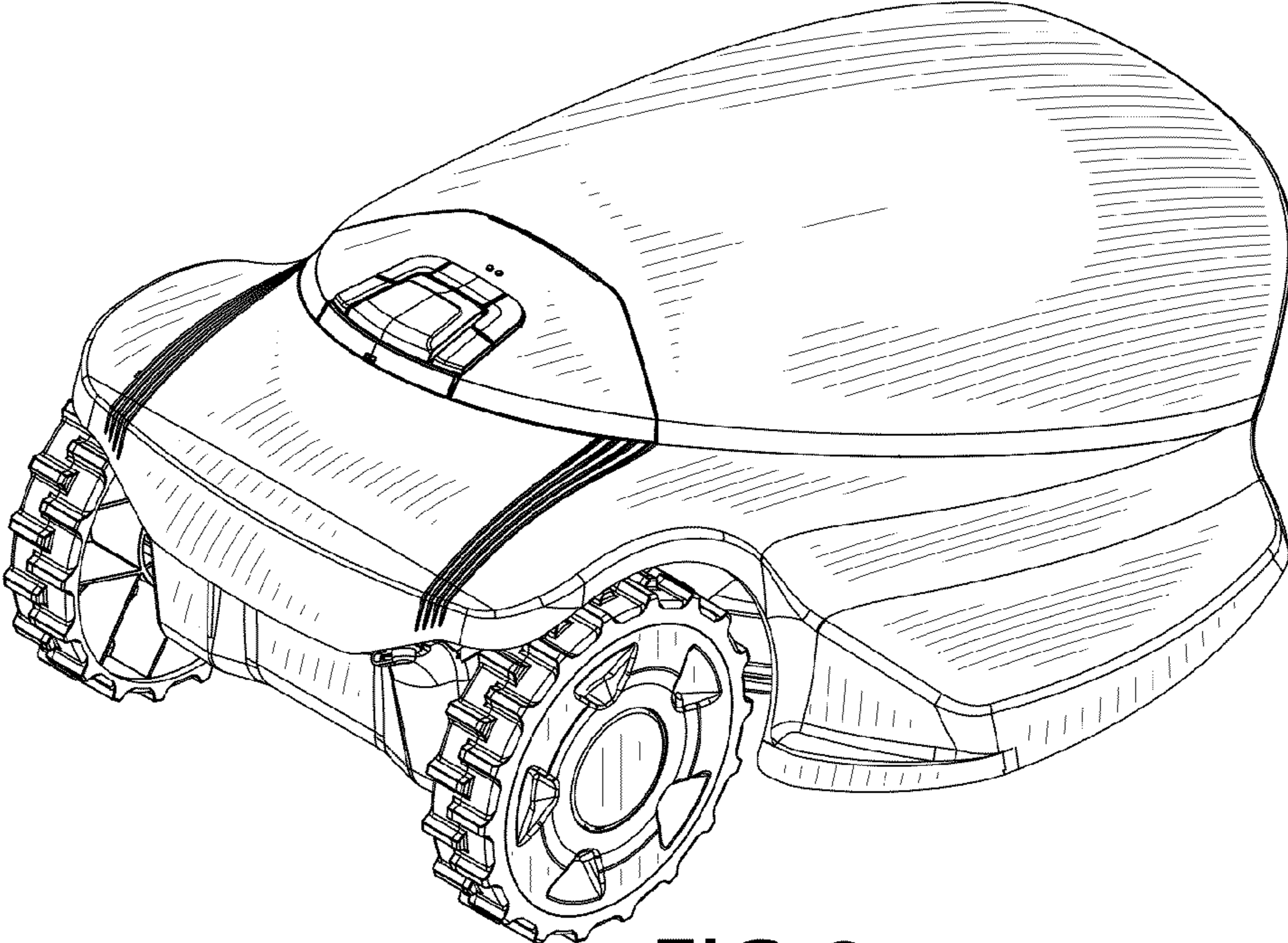


FIG. 2

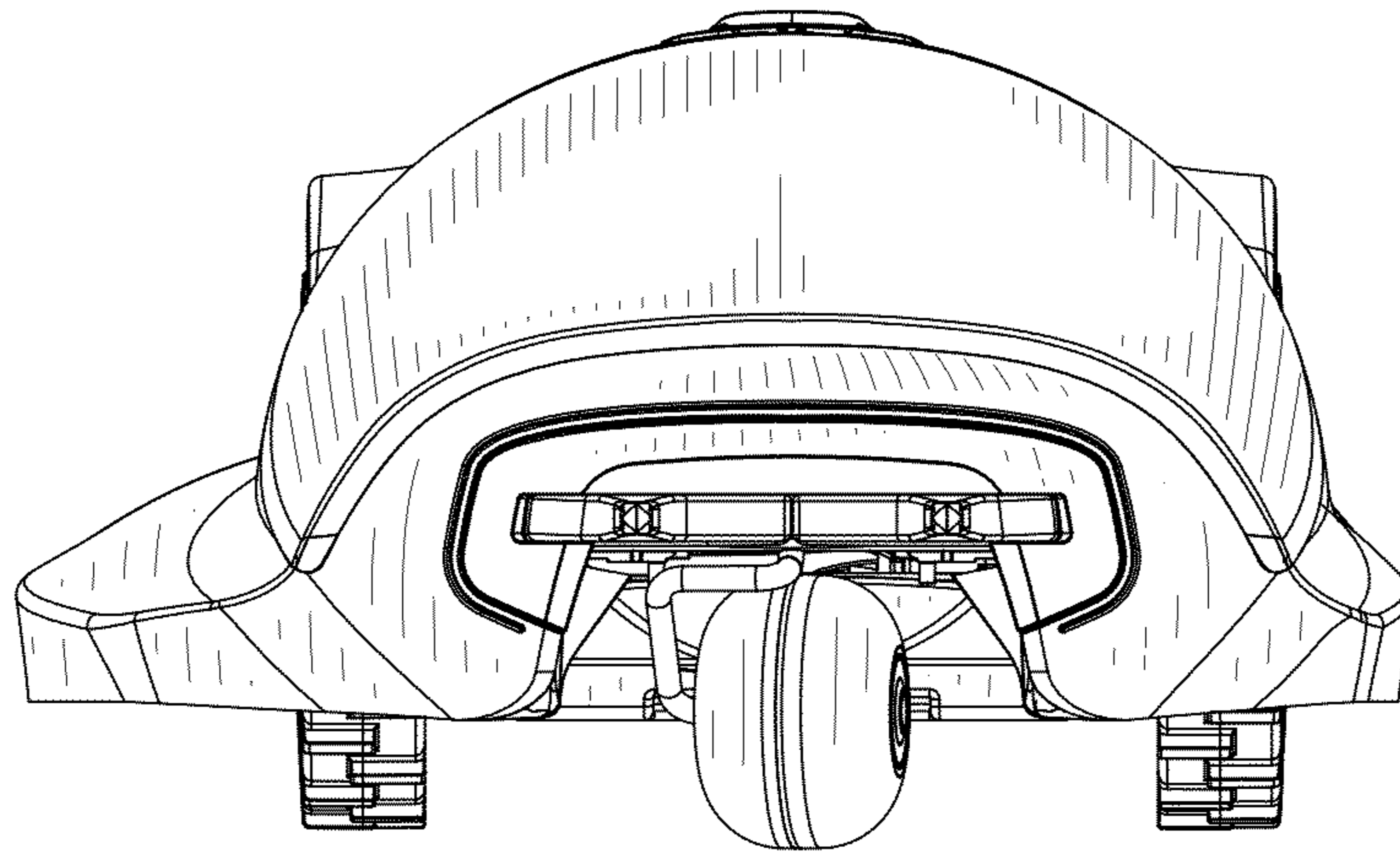


FIG. 3

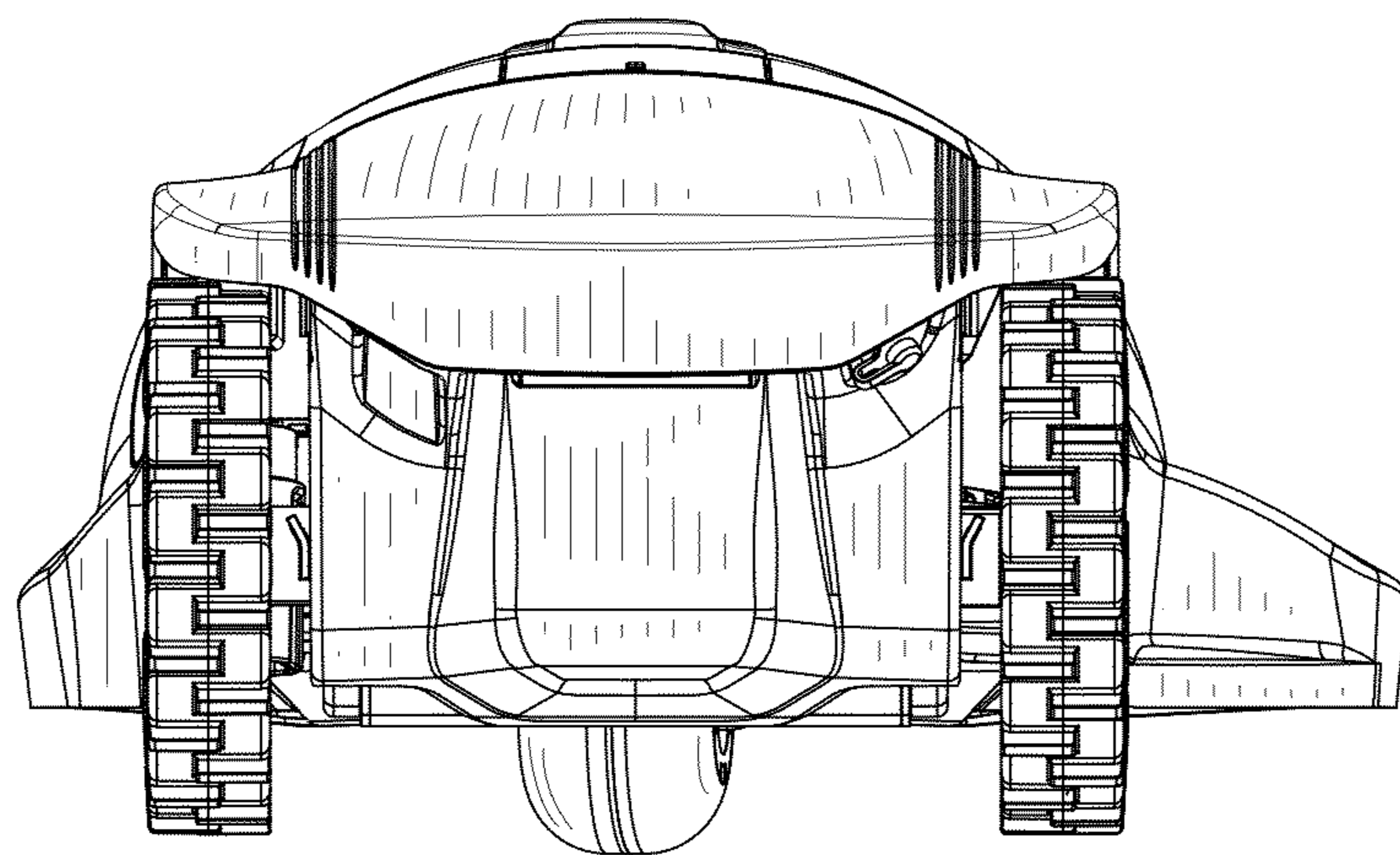


FIG. 4

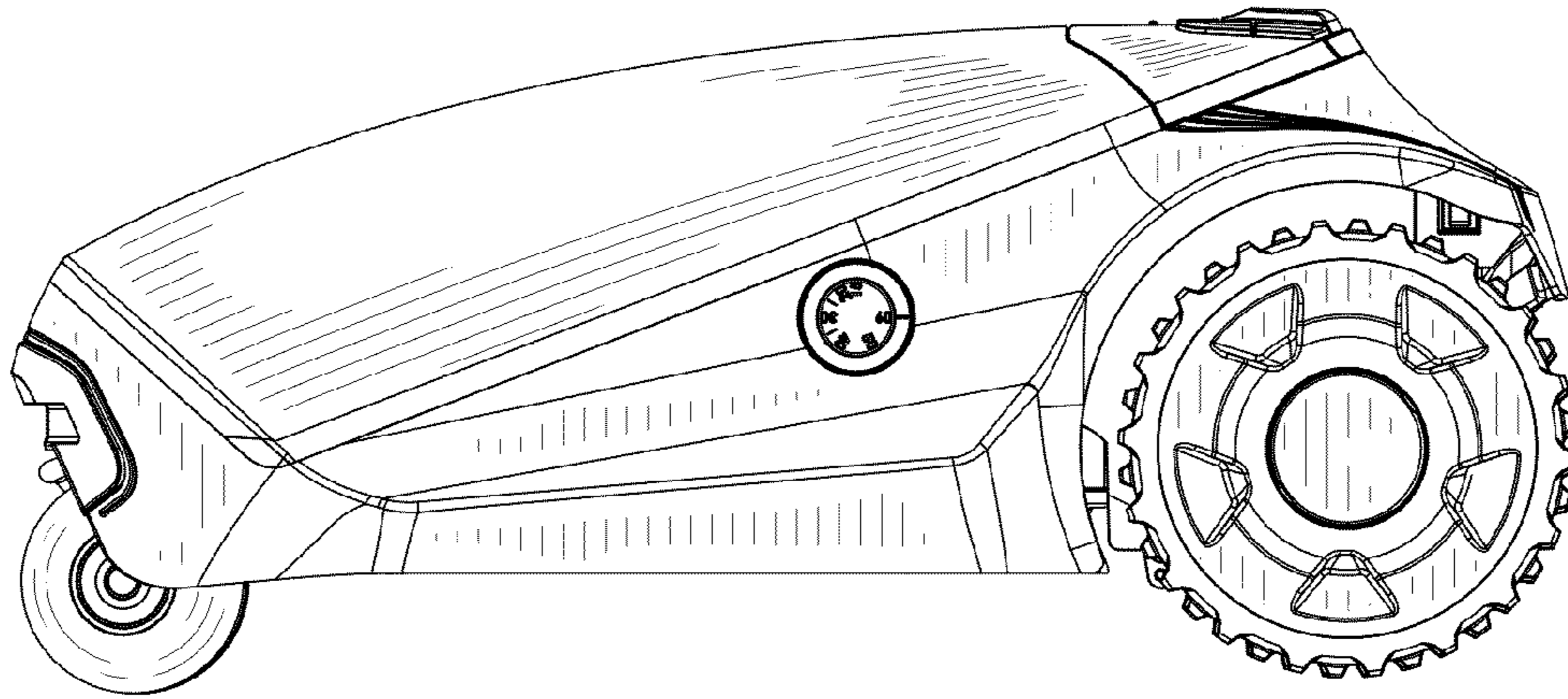


FIG. 5

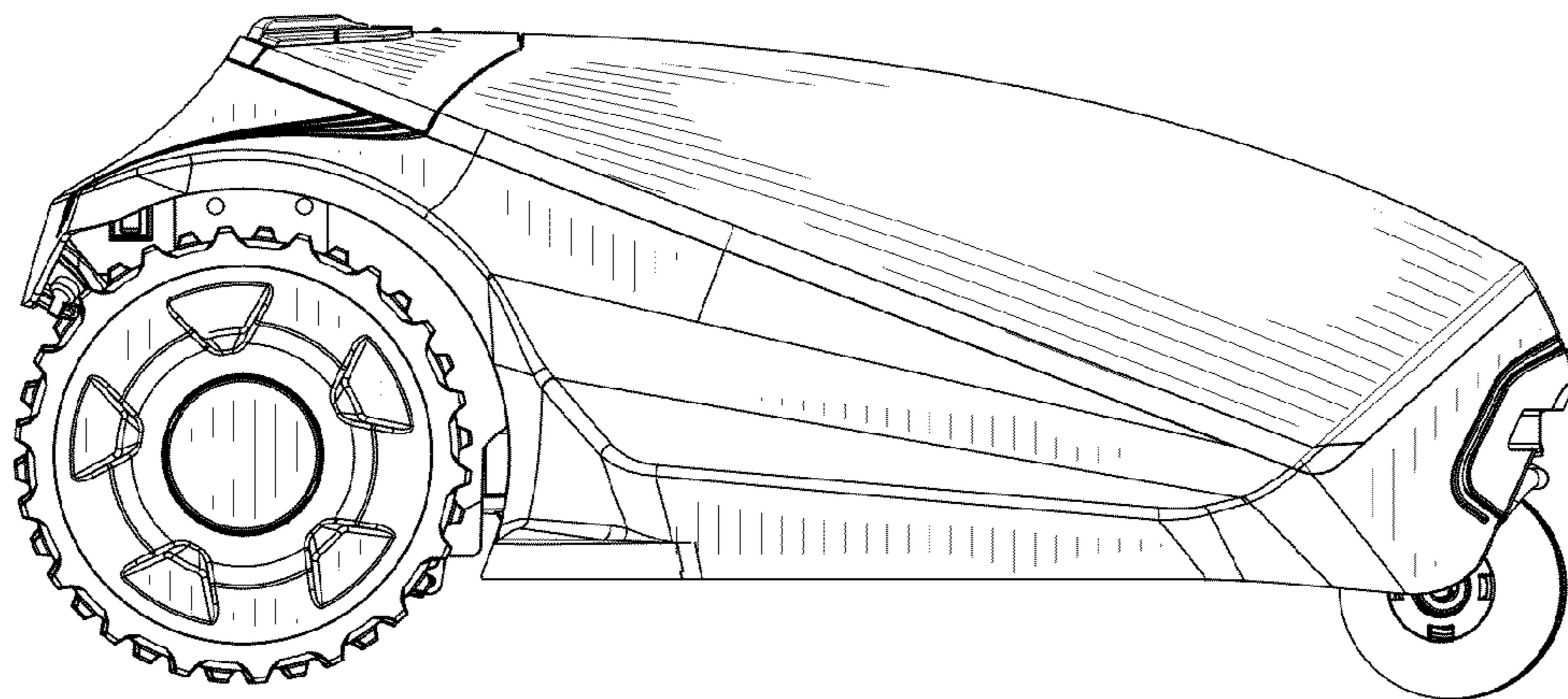


FIG. 6

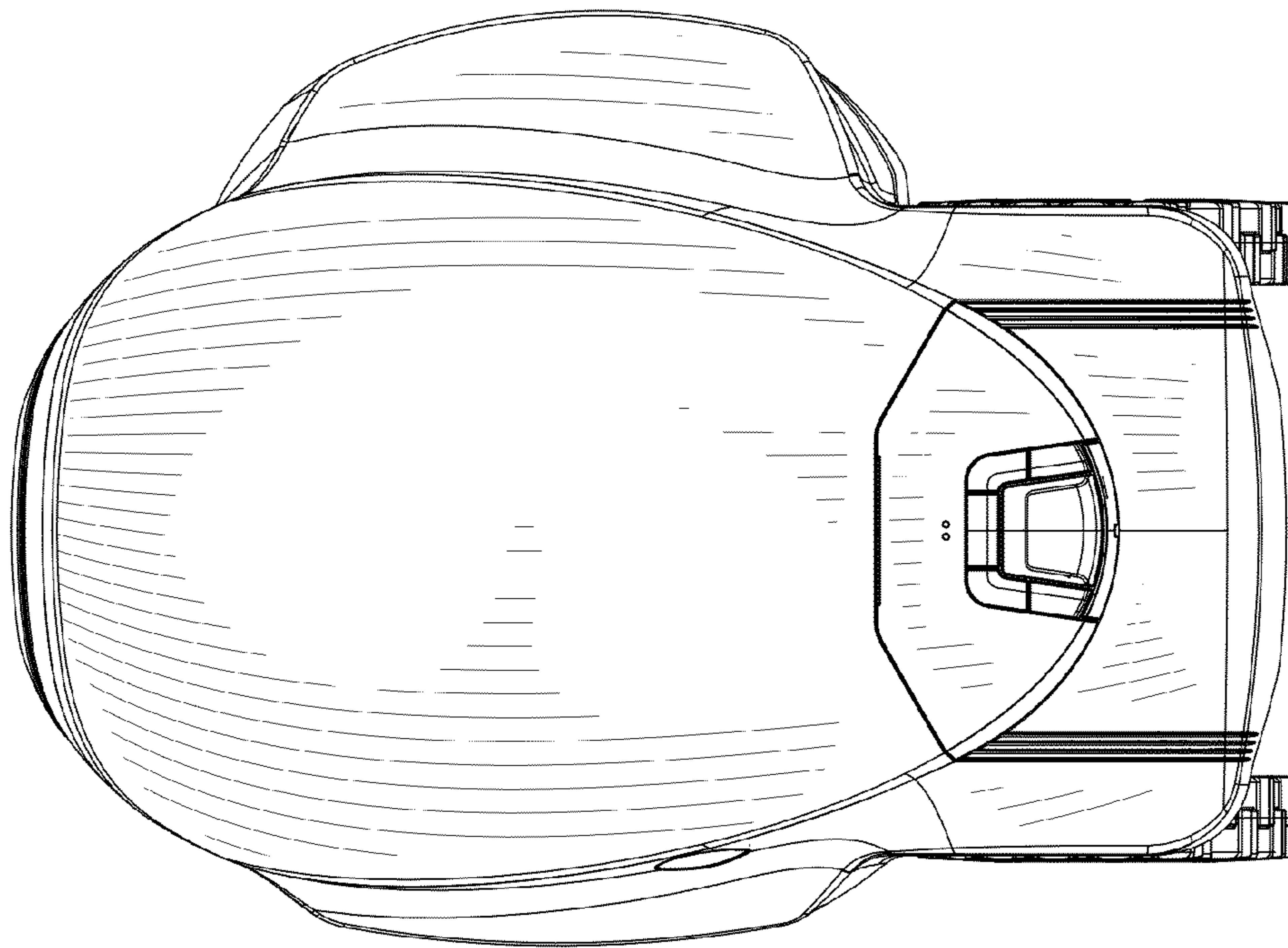


FIG. 7