



US00D718336S

(12) **United States Design Patent**
De Iuliis et al.

(10) **Patent No.:** **US D718,336 S**

(45) **Date of Patent:** **** Nov. 25, 2014**

(54) **COMPONENT FOR AN ELECTRONIC DEVICE**

(71) Applicant: **Apple Inc.**, Cupertino, CA (US)

(72) Inventors: **Daniele De Iuliis**, San Francisco, CA (US); **Anna-Katrina Shedletsky**, Mountain View, CA (US)

(73) Assignee: **Apple Inc.**, Cupertino, CA (US)

(**) Term: **14 Years**

(21) Appl. No.: **29/476,037**

(22) Filed: **Dec. 10, 2013**

Related U.S. Application Data

(63) Continuation of application No. 29/452,805, filed on Apr. 22, 2013, now Pat. No. Des. 695,316, which is a continuation of application No. 29/431,557, filed on Sep. 7, 2012, now abandoned.

(51) **LOC (10) Cl.** **14-03**

(52) **U.S. Cl.**
USPC **D14/496**

(58) **Field of Classification Search**
USPC D14/496, 401, 435, 474, 483, 217, 137, D14/138, 160, 168, 356, 203.1-203.8, 507; 345/156, 169, 173-179, 905; 715/727-729, 864; 710/1, 5, 8; 713/1, 713/600; 455/1.1, 1.7, 73, 344-347, 93, 95, 455/3.01-3.06, 550.1, 573.1; 370/342-344; 369/1, 2, 6-12; 463/43-47; 273/148 B

See application file for complete search history.

(56) **References Cited**

U.S. PATENT DOCUMENTS

1,781,958	A	11/1930	Schellenger	
4,976,429	A *	12/1990	Nagel	463/34
6,201,899	B1 *	3/2001	Bergen	382/284
6,310,776	B1 *	10/2001	Byrne et al.	361/707
6,312,338	B1 *	11/2001	Sato et al.	463/44
D586,364	S *	2/2009	Hermansen	D14/496
7,942,705	B2 *	5/2011	Murphy et al.	439/668
8,106,836	B2	1/2012	Hill et al.	
D694,264	S *	11/2013	Reinhardt	D14/496
8,611,077	B2 *	12/2013	Sanford et al.	361/679.21
8,644,895	B2 *	2/2014	Heywood	455/575.8
D710,898	S *	8/2014	Aglassinger	D14/496
8,803,745	B2 *	8/2014	Dabov	343/702
D712,930	S *	9/2014	Lee et al.	D14/496

* cited by examiner

Primary Examiner — Prabhakar Deshmukh

(74) *Attorney, Agent, or Firm* — Sterne, Kessler, Goldstein & Fox P.L.L.C.

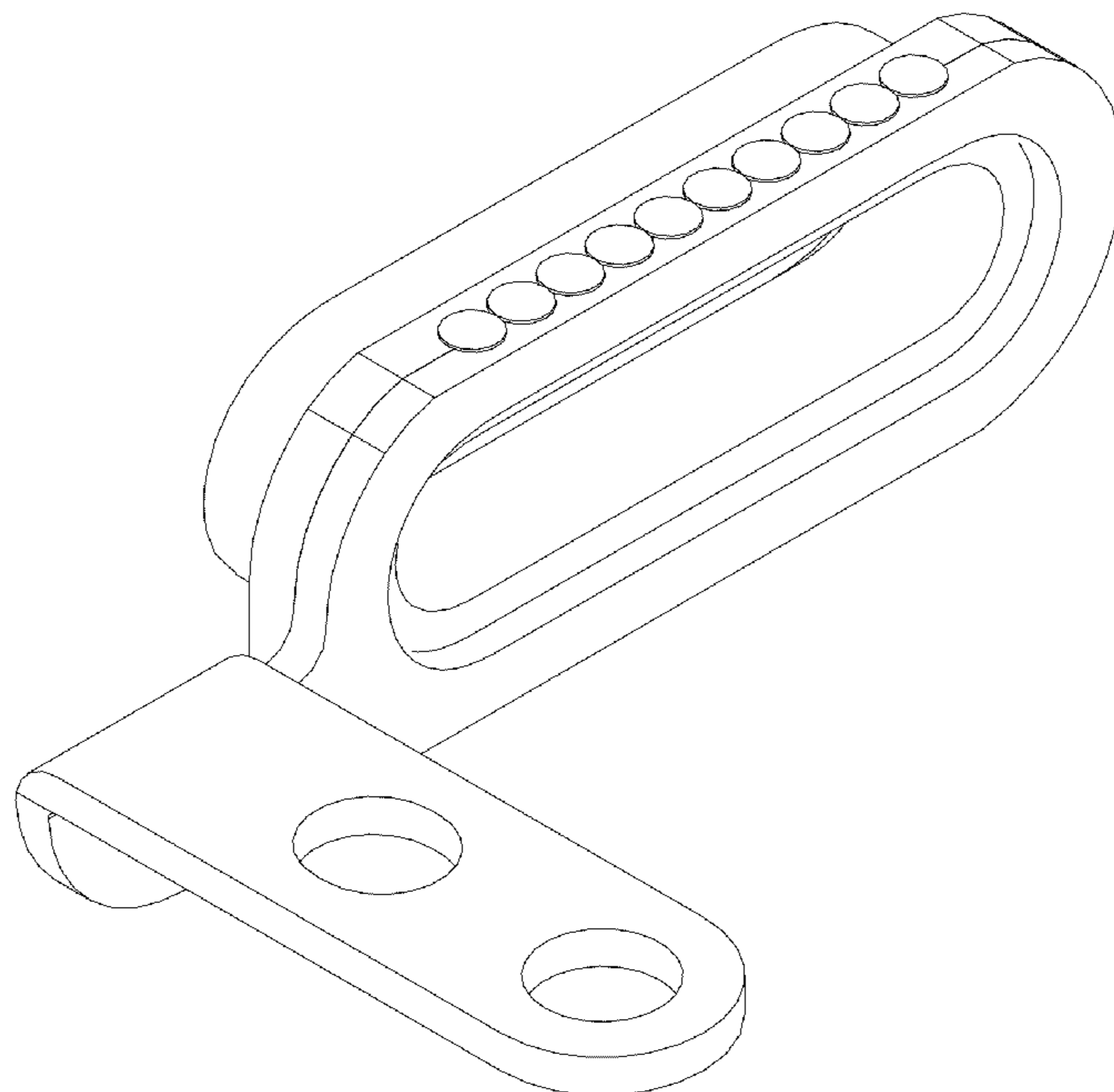
(57) **CLAIM**

The ornamental design for a component for an electronic device, as shown and described.

DESCRIPTION

FIG. 1 is a top rear perspective view of a component for an electronic device showing our new design;
FIG. 2 is a bottom front perspective view thereof;
FIG. 3 is a front view thereof;
FIG. 4 is a rear view thereof;
FIG. 5 is a left side view thereof;
FIG. 6 is a right side view thereof;
FIG. 7 is a top plan view thereof; and,
FIG. 8 is a bottom plan view thereof.

1 Claim, 8 Drawing Sheets



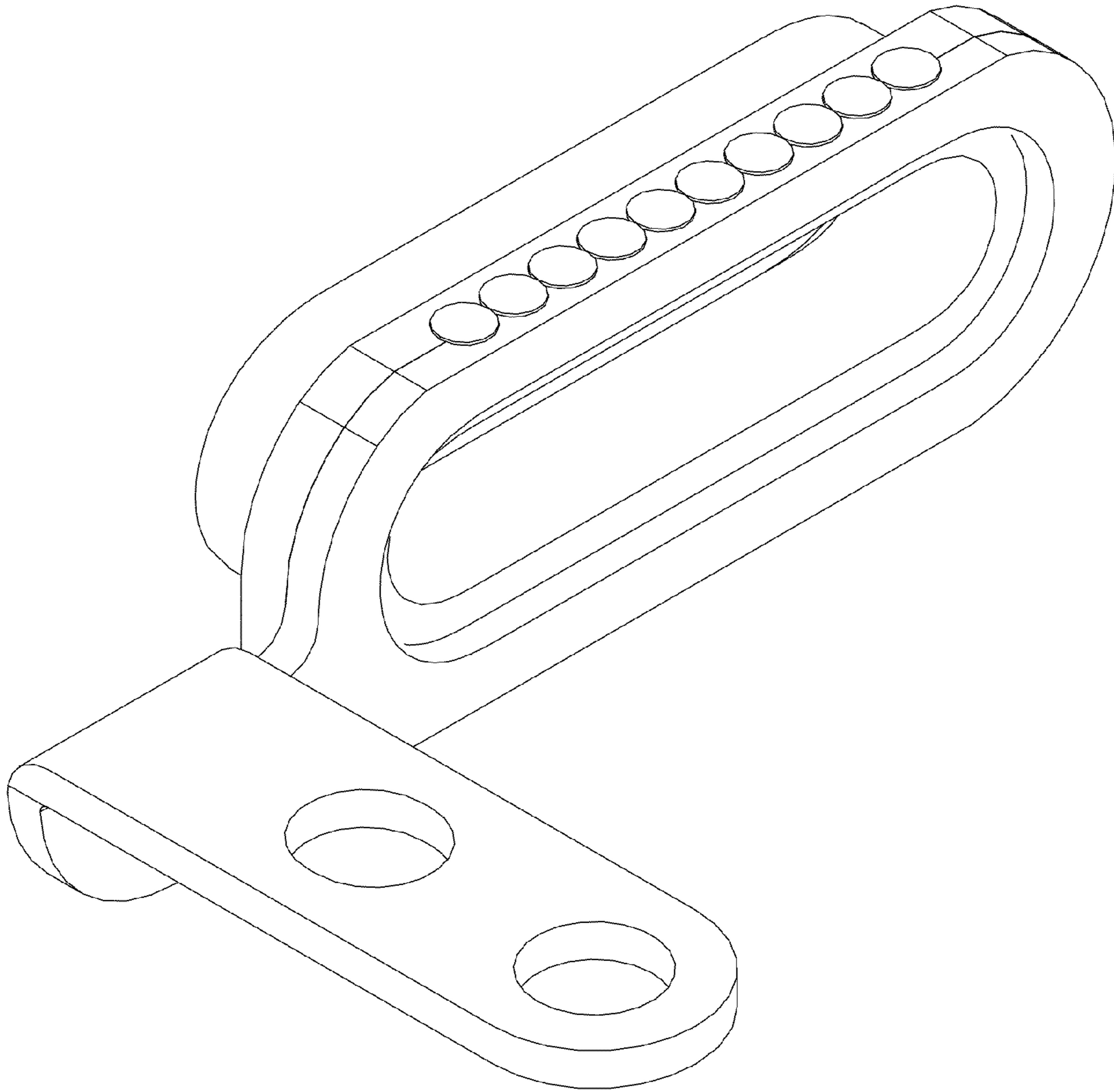


FIG. 1

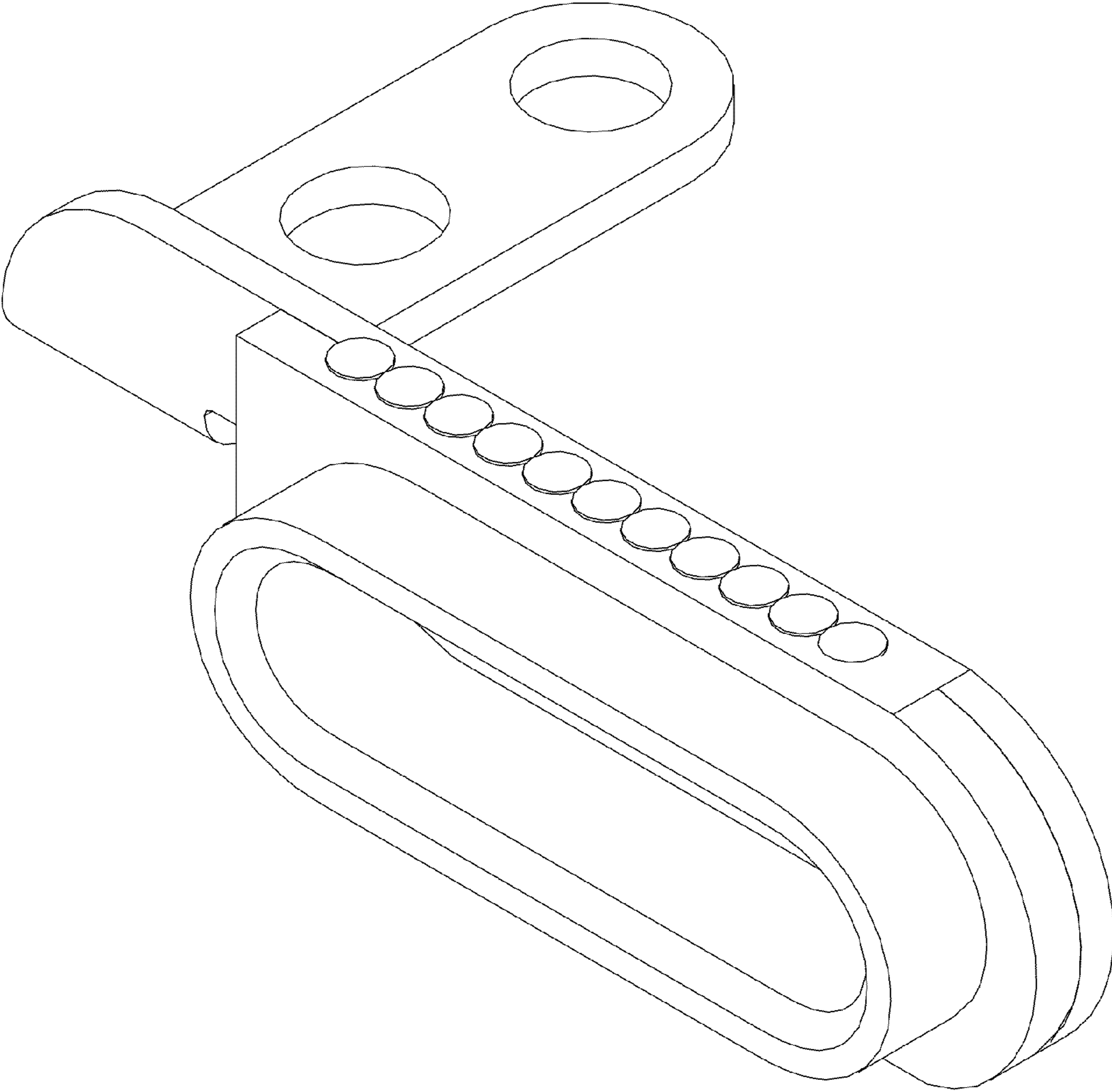


FIG. 2

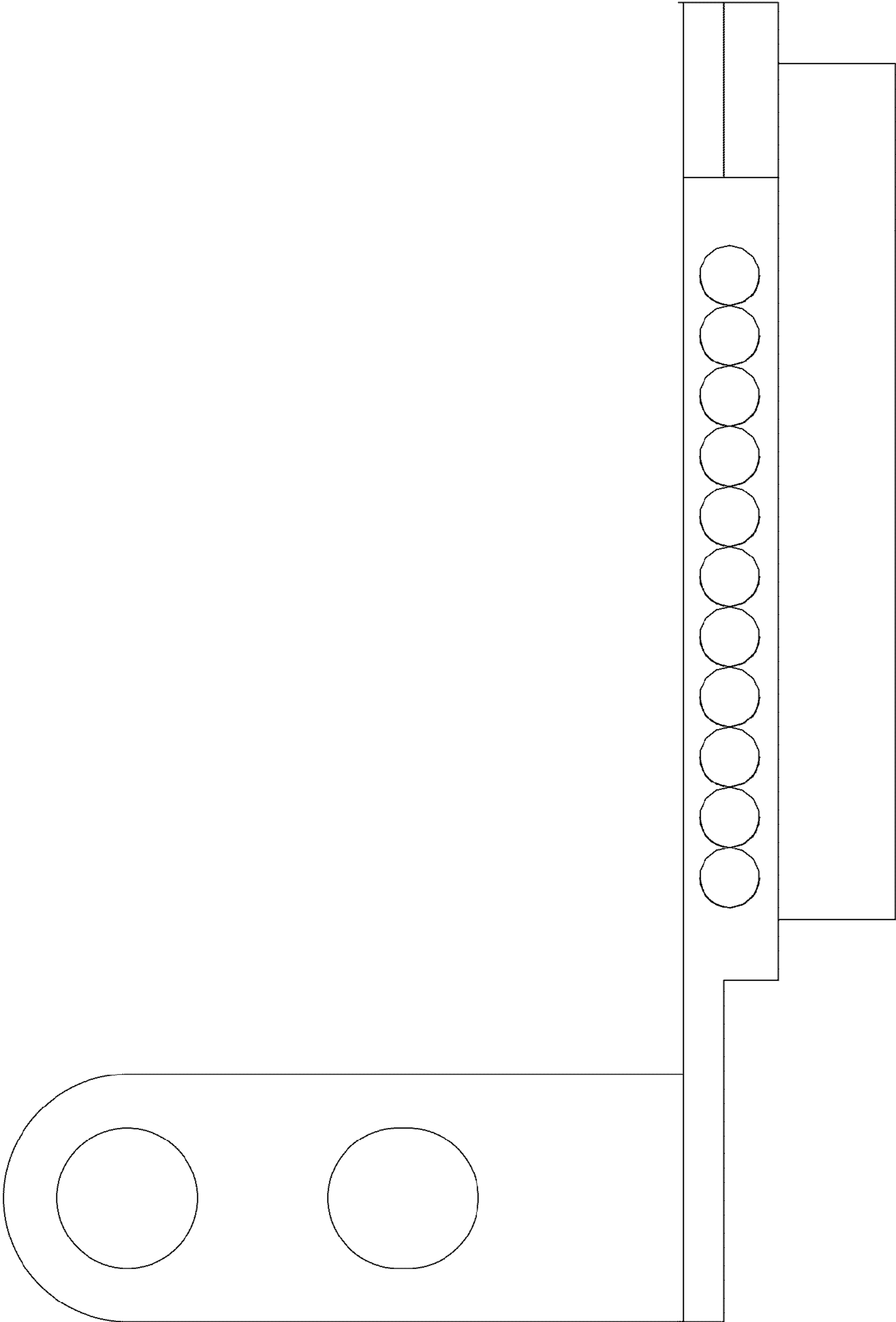


FIG. 3

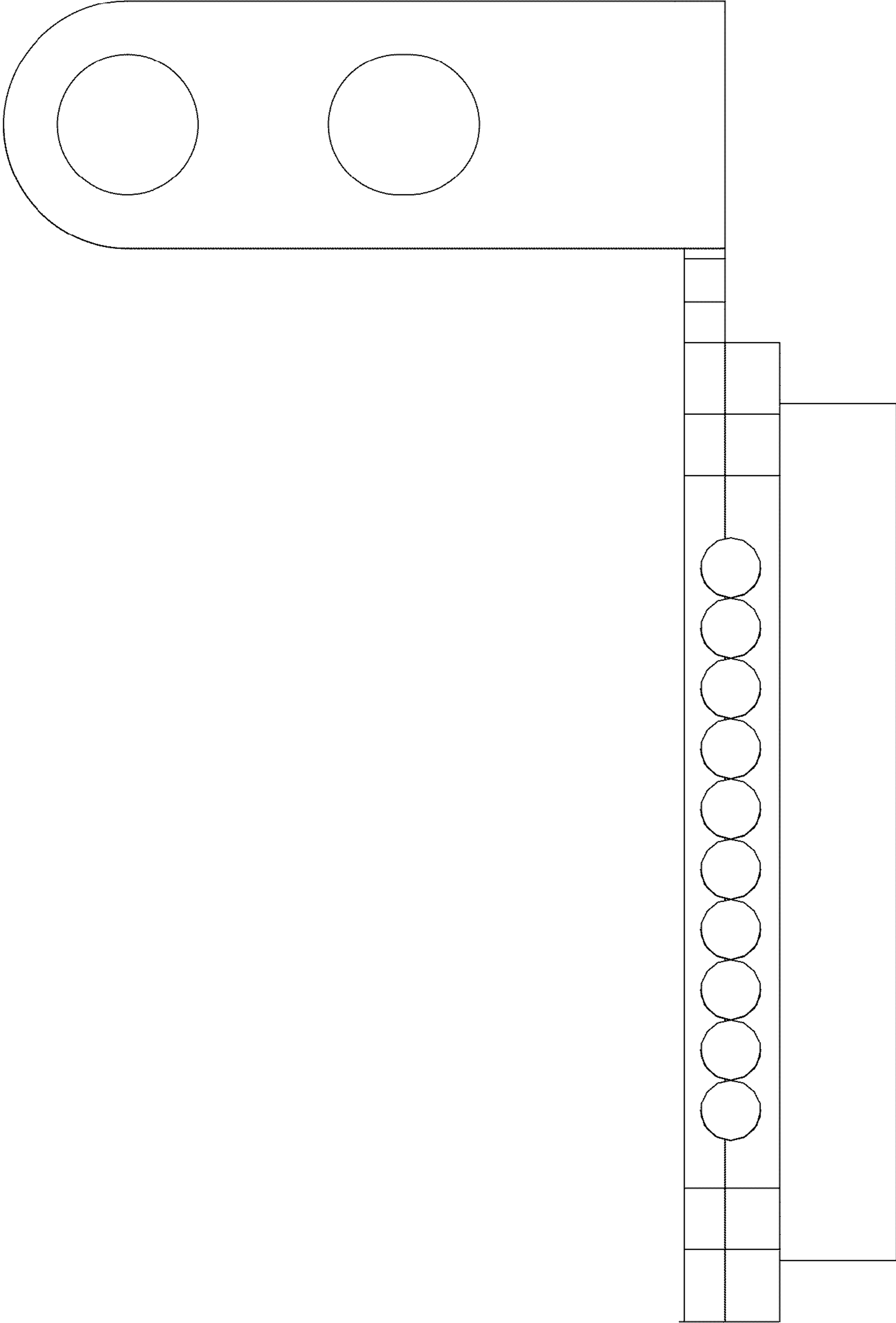


FIG. 4

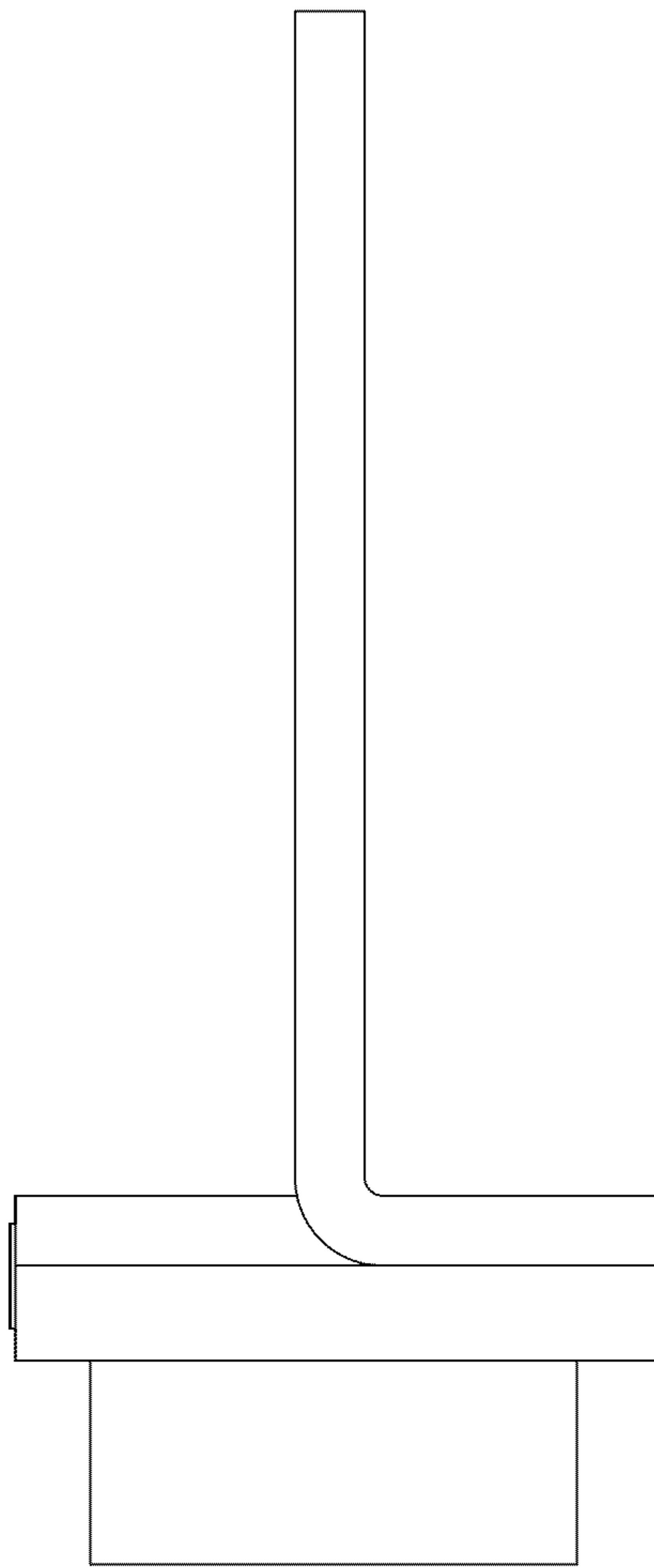


FIG. 5

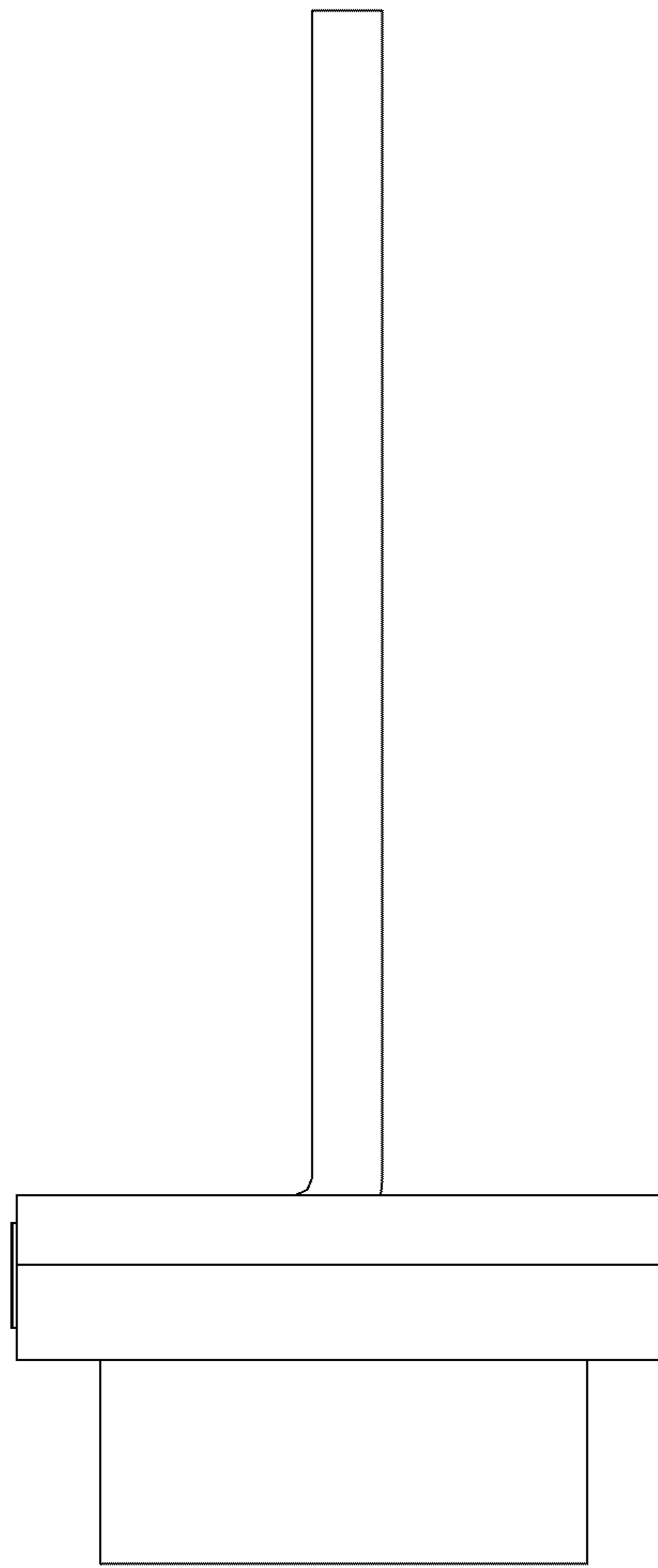


FIG. 6

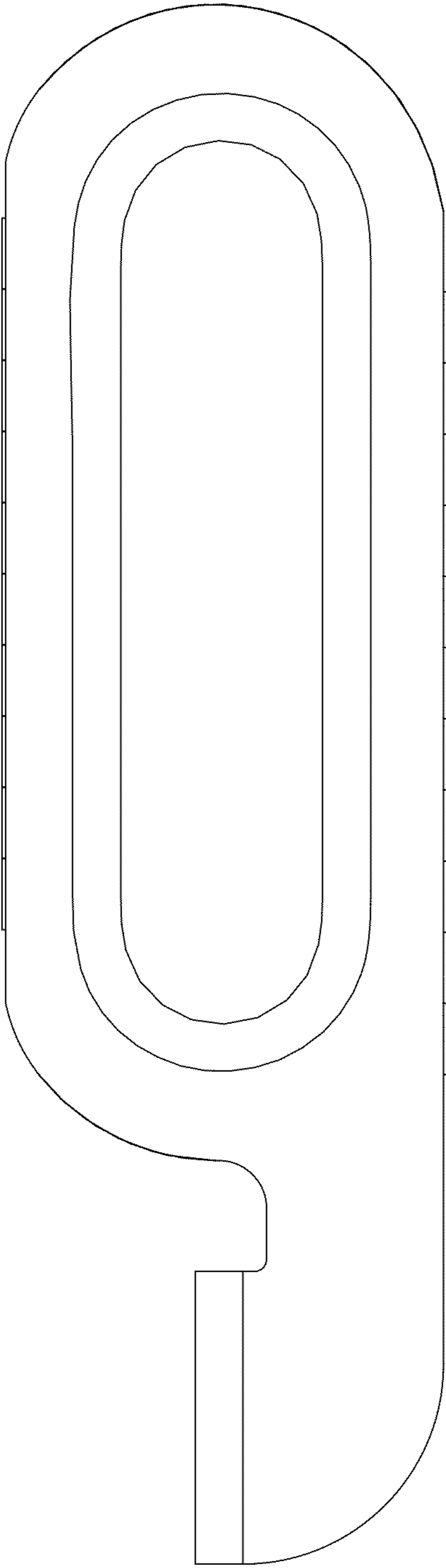


FIG. 7

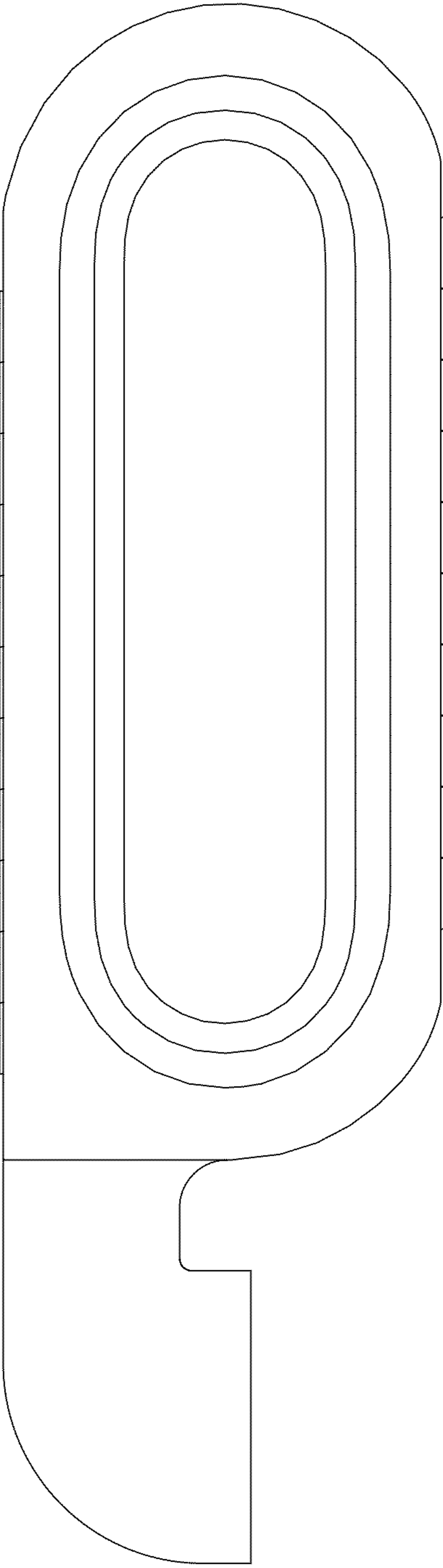


FIG. 8