



US00D718318S

(12) **United States Design Patent**
Tsuru et al.

(10) **Patent No.:** **US D718,318 S**
(45) **Date of Patent:** **** Nov. 25, 2014**

(54) **DISPLAY PANEL WITH INFORMATIONAL DISPLAY**
(75) Inventors: **Naoki Tsuru**, Chiyoda-ku (JP); **Hiroshi Asaoka**, Chiyoda-ku (JP); **Junichi Kimura**, Chiyoda-ku (JP)
(73) Assignee: **Mitsubishi Electric Corporation**, Tokyo (JP)

| | | | | |
|--------------|------|---------|------------------|---------|
| 6,771,292 | B2 * | 8/2004 | Sharp | 715/788 |
| D594,018 | S * | 6/2009 | Ball et al. | D14/486 |
| 7,954,064 | B2 * | 5/2011 | Forstall et al. | 715/779 |
| 7,984,376 | B2 * | 7/2011 | Yamabuchi et al. | 715/273 |
| 8,127,229 | B2 * | 2/2012 | Inoguchi et al. | 715/273 |
| 8,434,019 | B2 * | 4/2013 | Nelson | 715/798 |
| D687,841 | S * | 8/2013 | Arnold et al. | D14/486 |
| D692,450 | S * | 10/2013 | Convay et al. | D14/486 |
| 2007/0174784 | A1 * | 7/2007 | Yu et al. | 715/799 |
| 2012/0159382 | A1 * | 6/2012 | Matthews et al. | 715/788 |

* cited by examiner

(**) Term: **14 Years**

(21) Appl. No.: **29/425,687**

(22) Filed: **Jun. 26, 2012**

(30) **Foreign Application Priority Data**

Dec. 27, 2011 (JP) 2011-030288

(51) **LOC (10) Cl.** **14-04**

(52) **U.S. Cl.**
USPC **D14/485**

(58) **Field of Classification Search**
USPC D14/485-495; D18/24-33; D20/11, 12, D20/18, 22-28; 715/700-867, 961-978
See application file for complete search history.

(56) **References Cited**

U.S. PATENT DOCUMENTS

| | | | | |
|-----------|------|---------|----------------|---------|
| 5,796,402 | A * | 8/1998 | Ellison-Taylor | 715/792 |
| 6,289,361 | B1 * | 9/2001 | Uchida | 715/201 |
| 6,310,631 | B1 * | 10/2001 | Cecco et al. | 715/792 |

Primary Examiner — Mary Ann Calabrese

(74) *Attorney, Agent, or Firm* — Sughrue Mion, PLLC

(57) **CLAIM**

The ornamental design for an display panel with informational display, as shown and described.

DESCRIPTION

FIG. 1 is a front, top and right side perspective view of an display panel with informational display, showing our new design;

FIG. 2 is a front elevational view thereof;

FIG. 3 is a rear elevational view thereof;

FIG. 4 is a right side elevational view thereof;

FIG. 5 is a top plan view thereof; and,

FIG. 6 is a reference front elevational view showing, the state in use.

The broken lines represent a display panel and form no part of the claimed design.

1 Claim, 5 Drawing Sheets

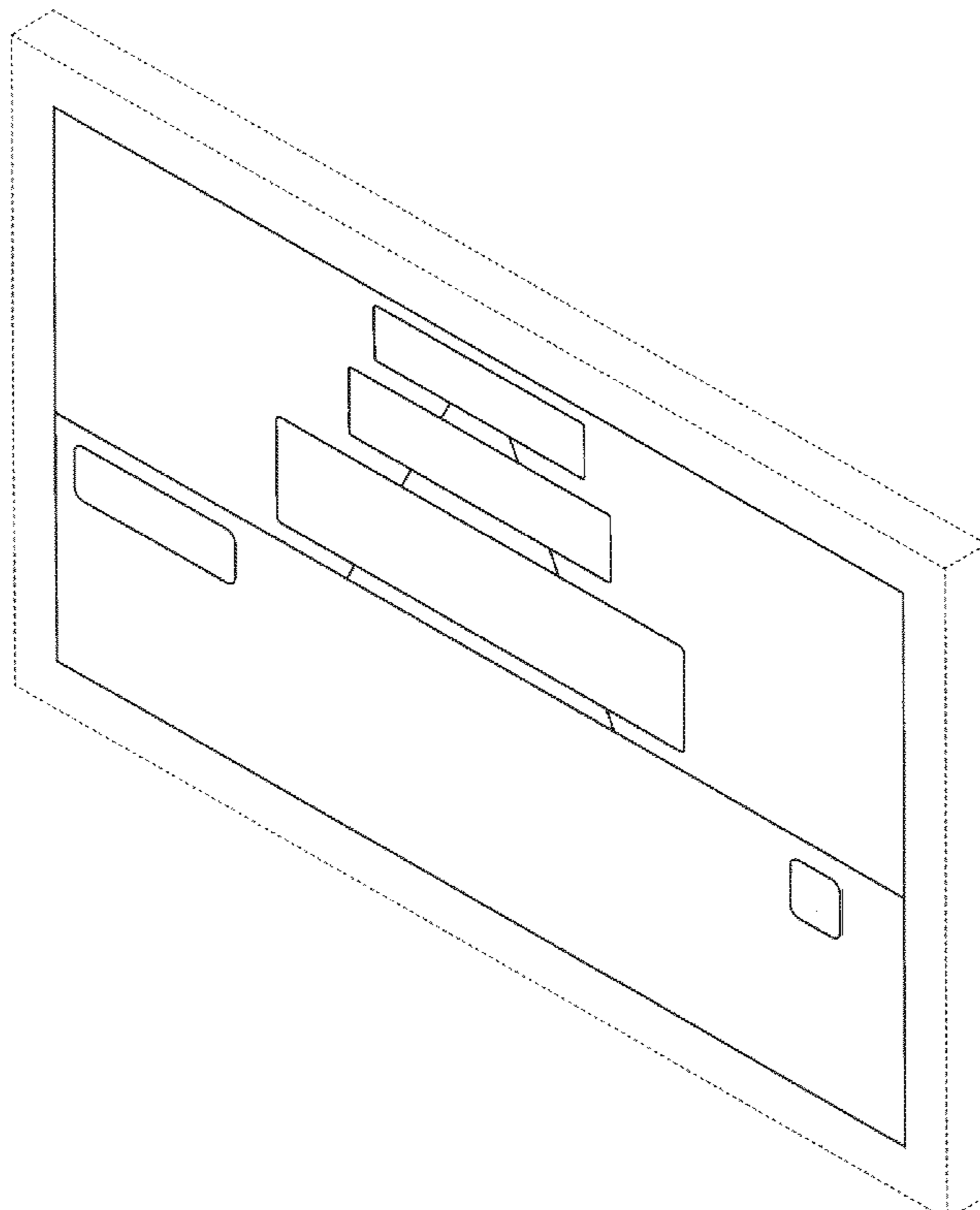


Fig. 1

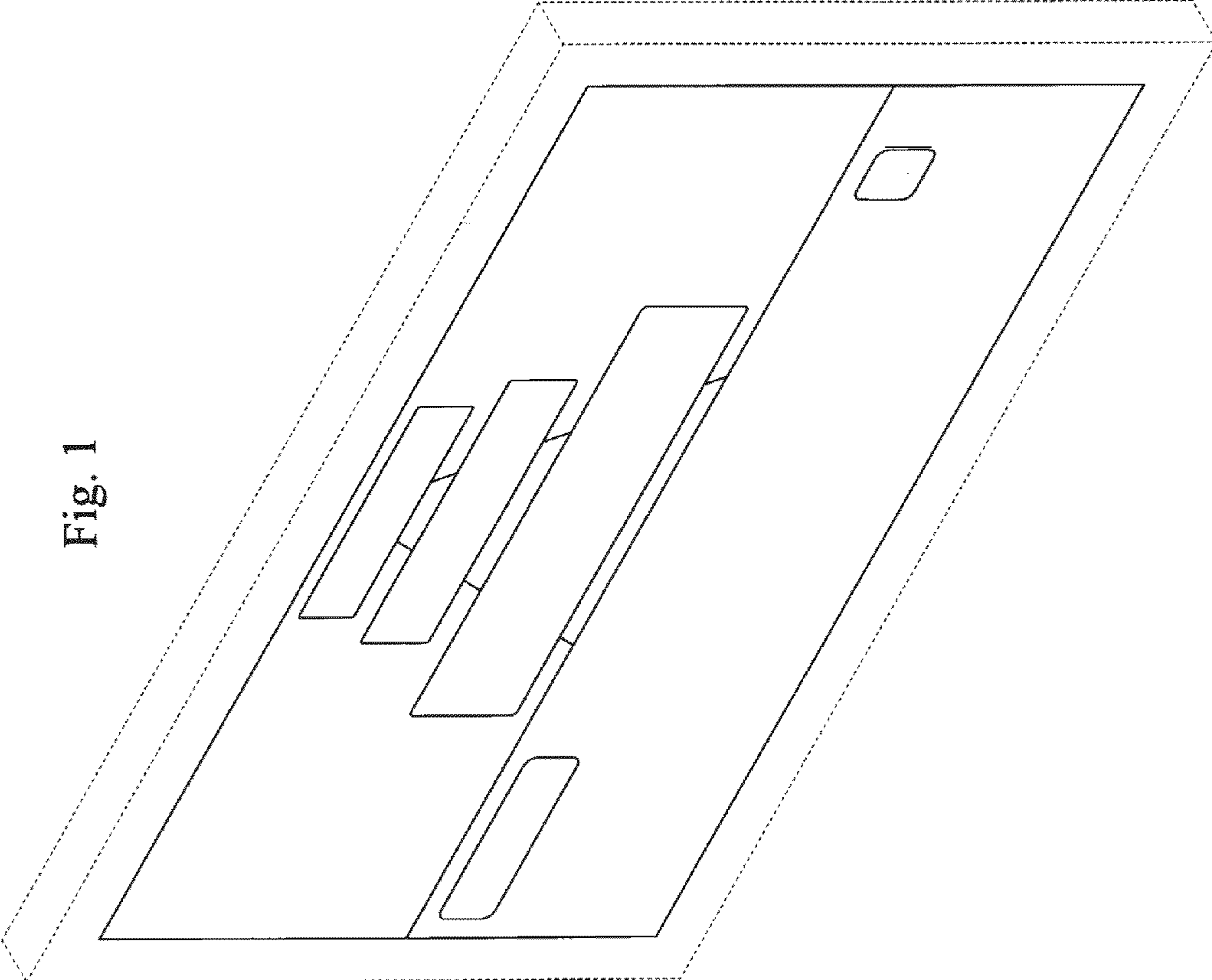


Fig. 2

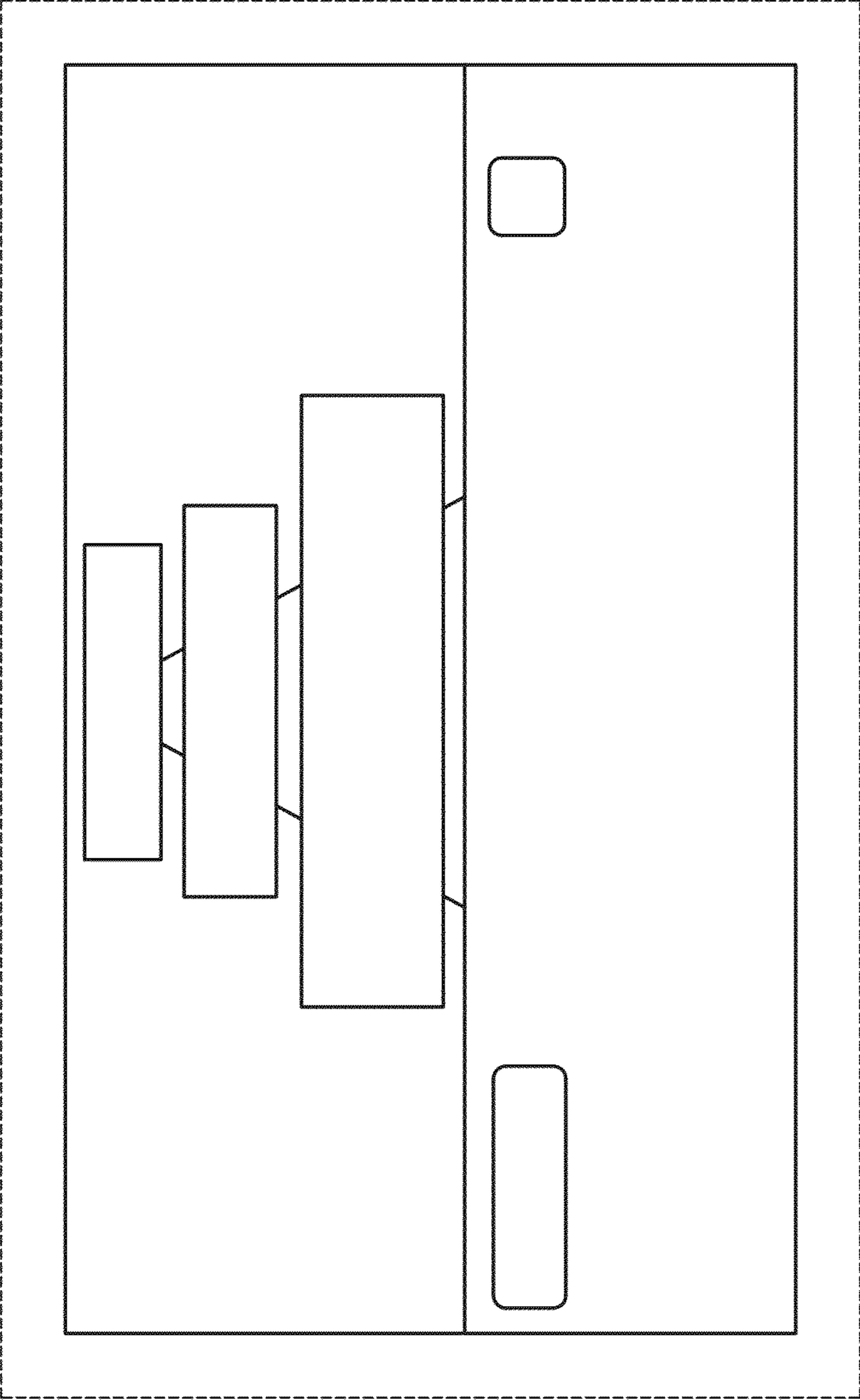


Fig. 3

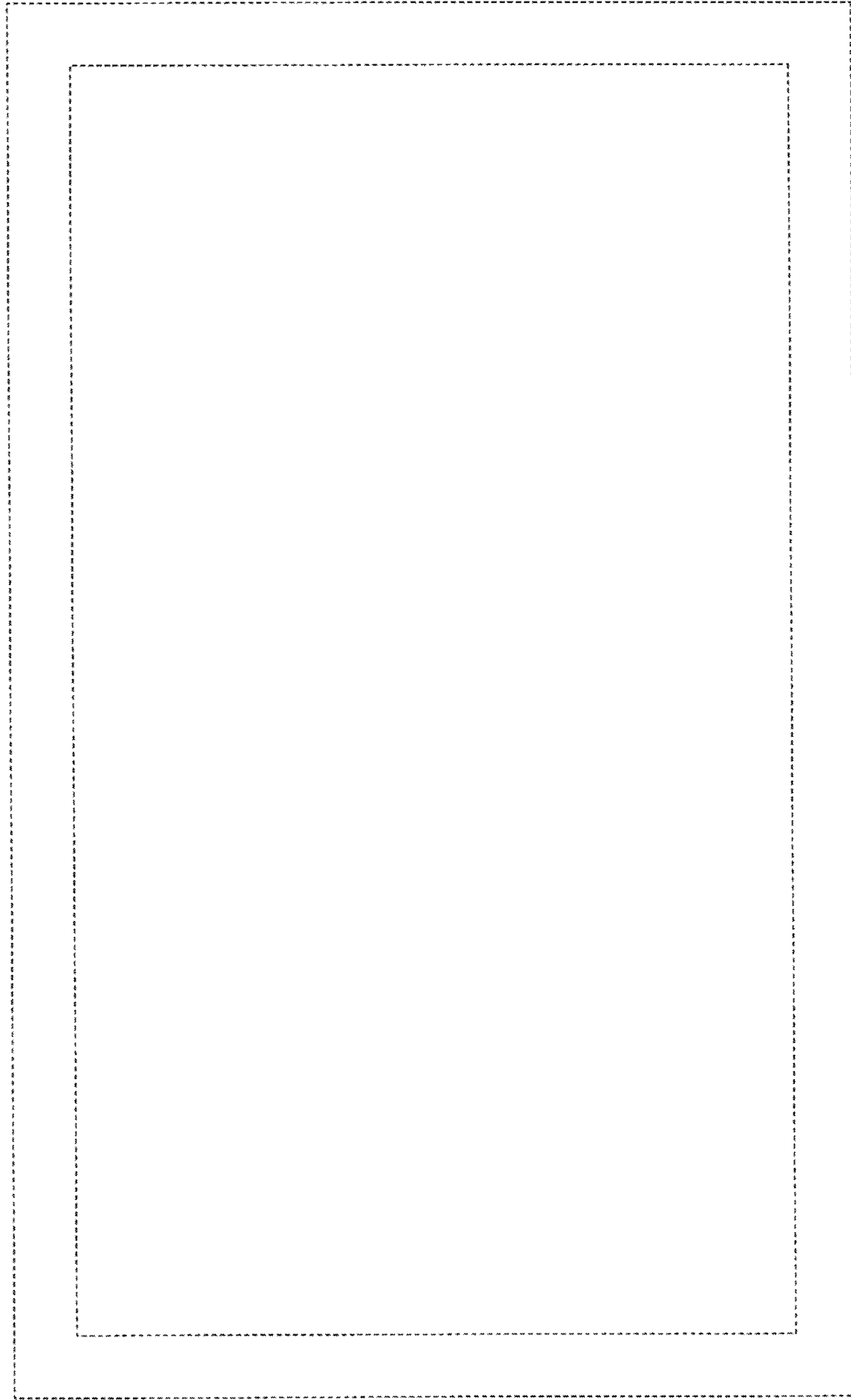


Fig. 4



Fig. 5

