



US00D718314S

(12) **United States Design Patent**  
**Chan et al.**

(10) **Patent No.:** **US D718,314 S**

(45) **Date of Patent:** **\*\* Nov. 25, 2014**

(54) **IMAGING DEVICE**

(56) **References Cited**

(71) Applicant: **Hewlett-Packard Development Company, L.P.**, Houston, TX (US)

U.S. PATENT DOCUMENTS

(72) Inventors: **Kok Weng Chan**, Singapore (SG);  
**Chun Long Goh**, Singapore (SG);  
**Chung Chiet Edwin Chin**, Singapore (SG); **Boo Siong Lim**, Singapore (SG);  
**Su Nick**, Singapore (SG)

D277,101 S *	1/1985	Hara et al.	.....	D14/422
D309,730 S *	8/1990	Makidera	.....	D14/422
D329,870 S	9/1992	Hanasaki et al.		
D352,732 S	11/1994	Dubson et al.		
D356,596 S	3/1995	Dubson et al.		
D358,603 S	5/1995	Dodge et al.		
D379,197 S	5/1997	Kawahara et al.		
D430,163 S *	8/2000	Gatto et al.	.....	D14/422
D466,924 S	12/2002	Wong et al.		

(73) Assignee: **Hewlett-Packard Development Company, L.P.**, Houston, TX (US)

(Continued)

(\*\*) Term: **14 Years**

OTHER PUBLICATIONS

(21) Appl. No.: **29/440,126**

“HP Offlinejet Pro 8100 Eprinter”, <http://www.pcworld.com/article/255177/hpofficejetpro8100eprinterreviewfastinexpensiveoperation.html>; Photograph of printer that was sold more than one year prior to the filing date of this application; 4 pages.

(22) Filed: **Dec. 19, 2012**

(Continued)

(51) **LOC (10) Cl.** ..... **14-02**

*Primary Examiner* — Susan Moon Lee

(52) **U.S. Cl.**

(57) **CLAIM**

USPC ..... **D14/422**

The ornamental design for an imaging device, as shown and described herein.

(58) **Field of Classification Search**

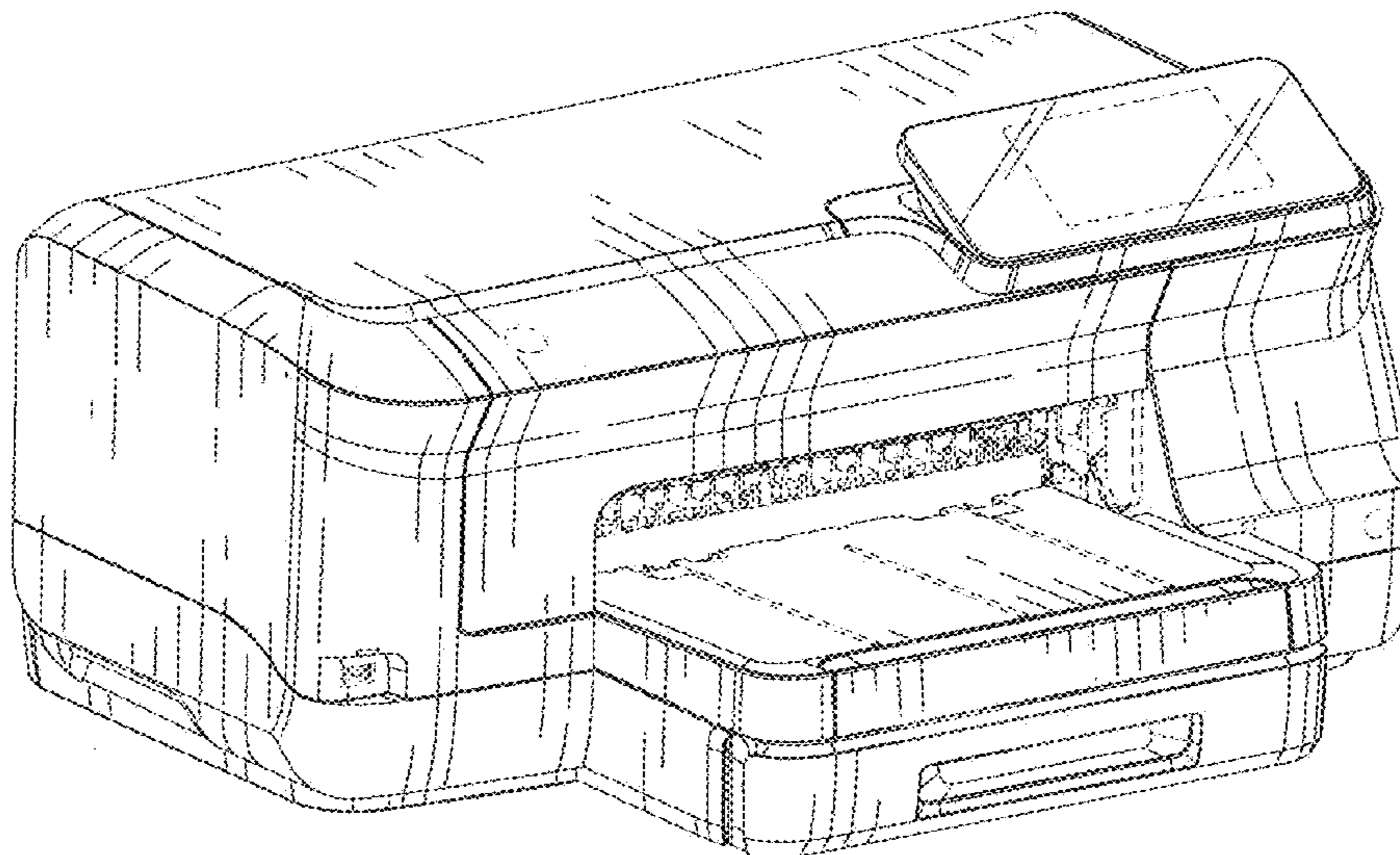
**DESCRIPTION**

USPC ..... D14/420, 422, 425, 462–470, 424, 389, D14/125, 399; D18/54, 55, 50, 53, 36–39, D18/14, 18–21, 49, 46, 52, 56, 51, 54.4; D13/164, 168; 358/400, 401, 448, 474, 358/486–488, 496, 497, 494, 473, 302, 468, 358/498; 382/312, 317, 321, 315; 400/613, 400/613.1–613.4, 690.1–690.4, 691–694, 400/88, 175; 399/107, 379, 380, 211, 212; 235/462.11, 462.41, 472.01, 470, 235/462.43; 361/680, 681; 378/177, 187, 378/188; 101/93.4, 269; 355/78; D24/165, D24/169, 186; 600/502, 503, 499, 494, 490, 600/485, 500, 492, 480, 493, 495, 479; 128/900; 16/286; 347/104, 109, 5; 271/186, 225, 126, 121, 137, 138

FIG. 1 is a first front perspective view of an imaging device; FIG. 2 is a second front perspective view thereof; FIG. 3 is a rear perspective view thereof; FIG. 4 is a top plan view thereof; FIG. 5 is a bottom plan view thereof; FIG. 6 is a first side elevation view thereof; FIG. 7 is a second side elevation view thereof; FIG. 8 is a front elevation view thereof; and, FIG. 9 is a rear elevation view thereof. Broken lines and unshaded portions contained within broken lines are not claimed.

See application file for complete search history.

**1 Claim, 7 Drawing Sheets**



(56)

**References Cited**

U.S. PATENT DOCUMENTS

D554,699 S \* 11/2007 Tate et al. .... D18/55  
 D571,807 S \* 6/2008 Ogawa ..... D14/422  
 D590,013 S \* 4/2009 Miticocchio et al. .... D18/50  
 D645,897 S 9/2011 Chuang et al.  
 D664,192 S \* 7/2012 Emmenegger et al. .... D18/50  
 D664,193 S \* 7/2012 Larson et al. .... D18/55  
 D665,445 S \* 8/2012 Emmenegger et al. .... D18/50  
 D670,327 S \* 11/2012 Yamashita et al. .... D18/55  
 D678,403 S \* 3/2013 Seki et al. .... D18/50  
 D680,161 S \* 4/2013 Goh et al. .... D18/50  
 D681,108 S \* 4/2013 Lim et al. .... D18/50  
 D681,720 S \* 5/2013 Inada ..... D18/50  
 D682,349 S \* 5/2013 Iwai et al. .... D18/50

D686,277 S \* 7/2013 Gilbert et al. .... D18/55  
 D694,318 S \* 11/2013 Jihoon et al. .... D18/50  
 D702,759 S \* 4/2014 Oda ..... D18/50  
 8,690,061 B2 \* 4/2014 Hall et al. .... 235/454

OTHER PUBLICATIONS

“HP Photosmart Wireless E-all-in-one Printer—B110a”. <http://h10025.www1.hp.com/ewfrf/wc/product?cc=us&lc=en&dlc=en&product=4022343>; Photograph of printer that was sold more than one year prior to the filing date of this application; 2 pages.  
 “HP Photosmart Estation and Officejet Pro 8500 Plus Printers”, <http://www.ubergizmo.com/2010/09/hp-photosmart-estation-and-officejet-pro-8500-plus-printers/>; Photograph of printer that was sold more than one year prior to the filing date of this application; 3 pages.

\* cited by examiner



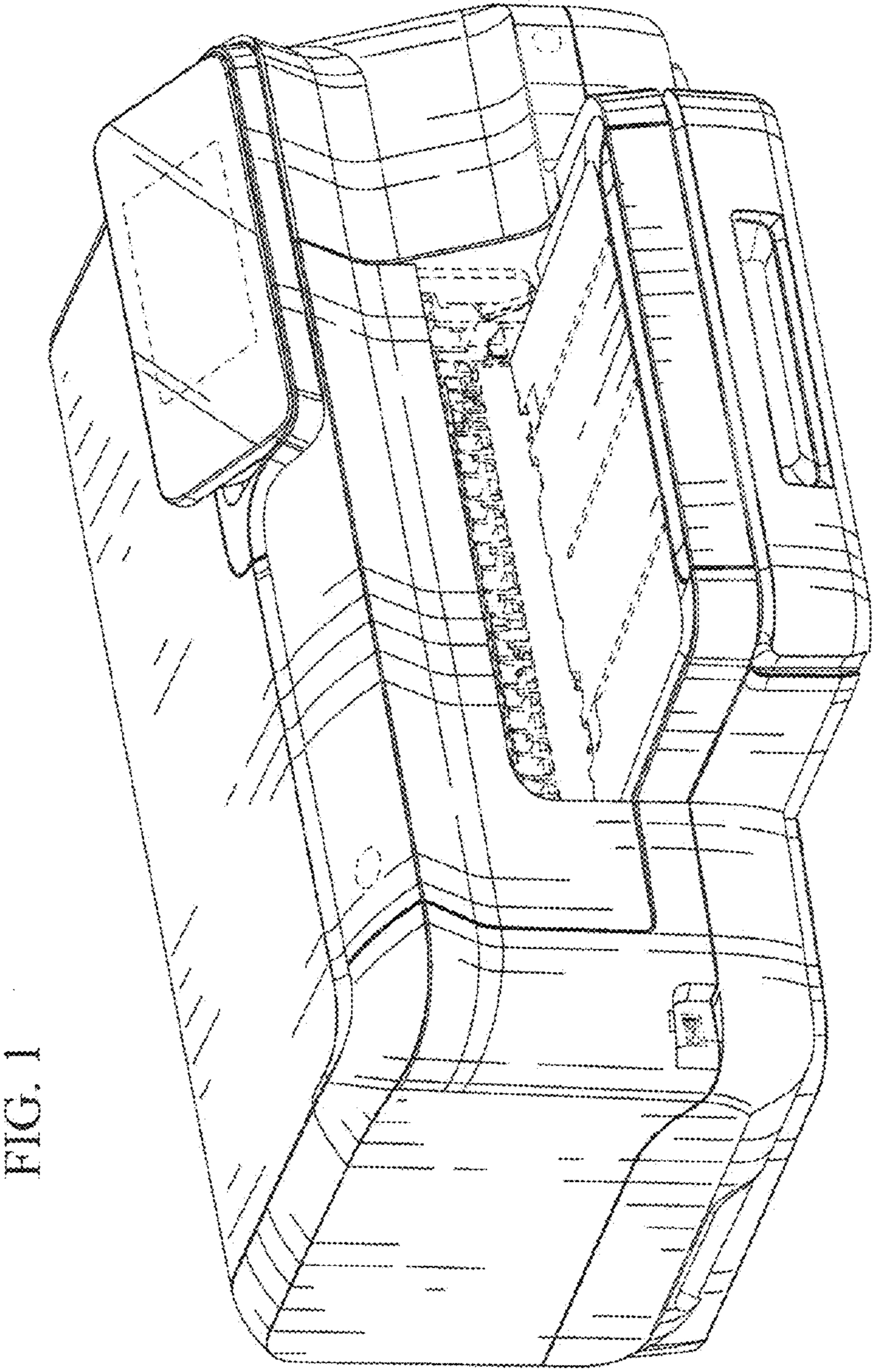
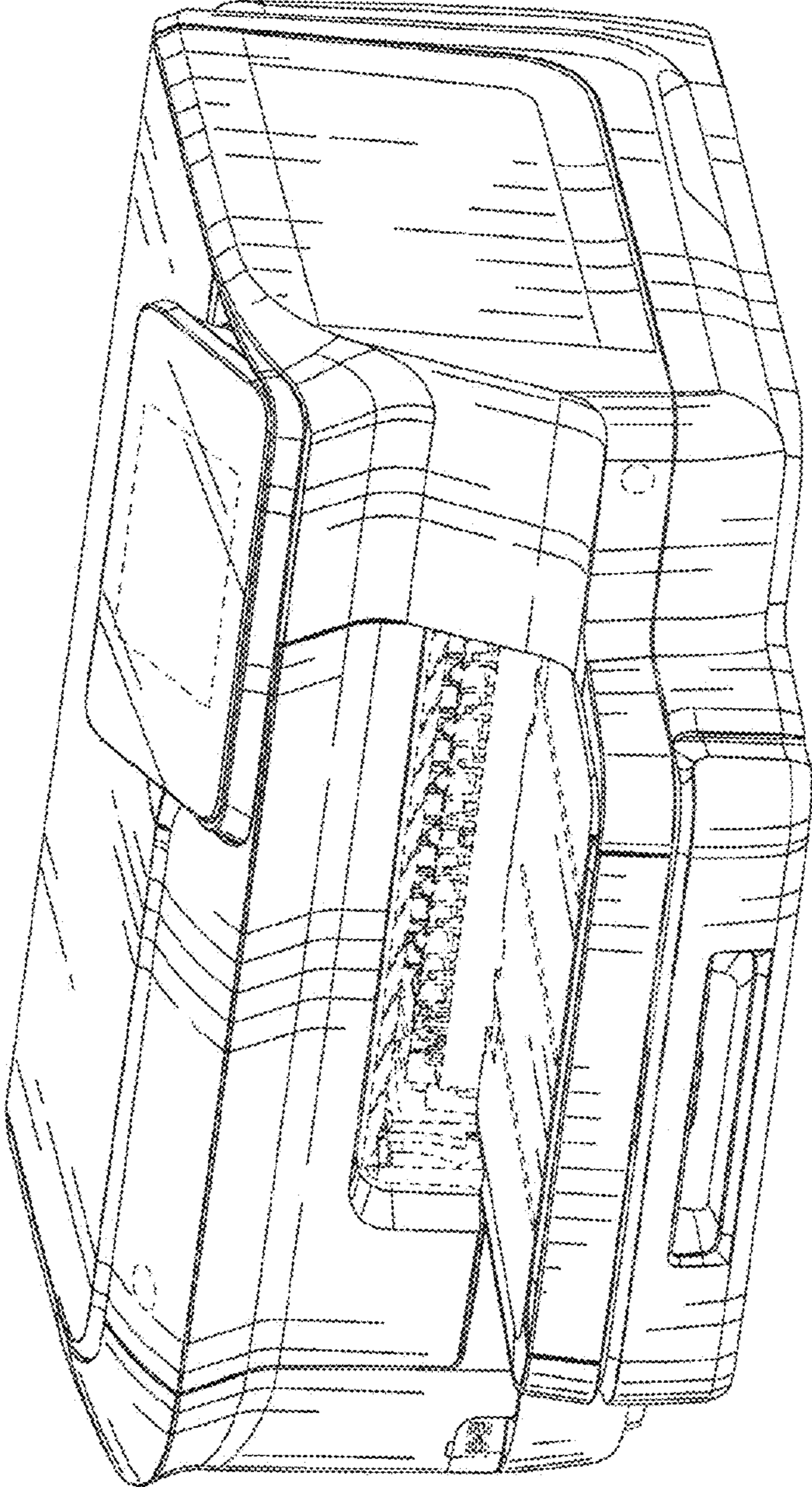


FIG. 1

FIG. 2





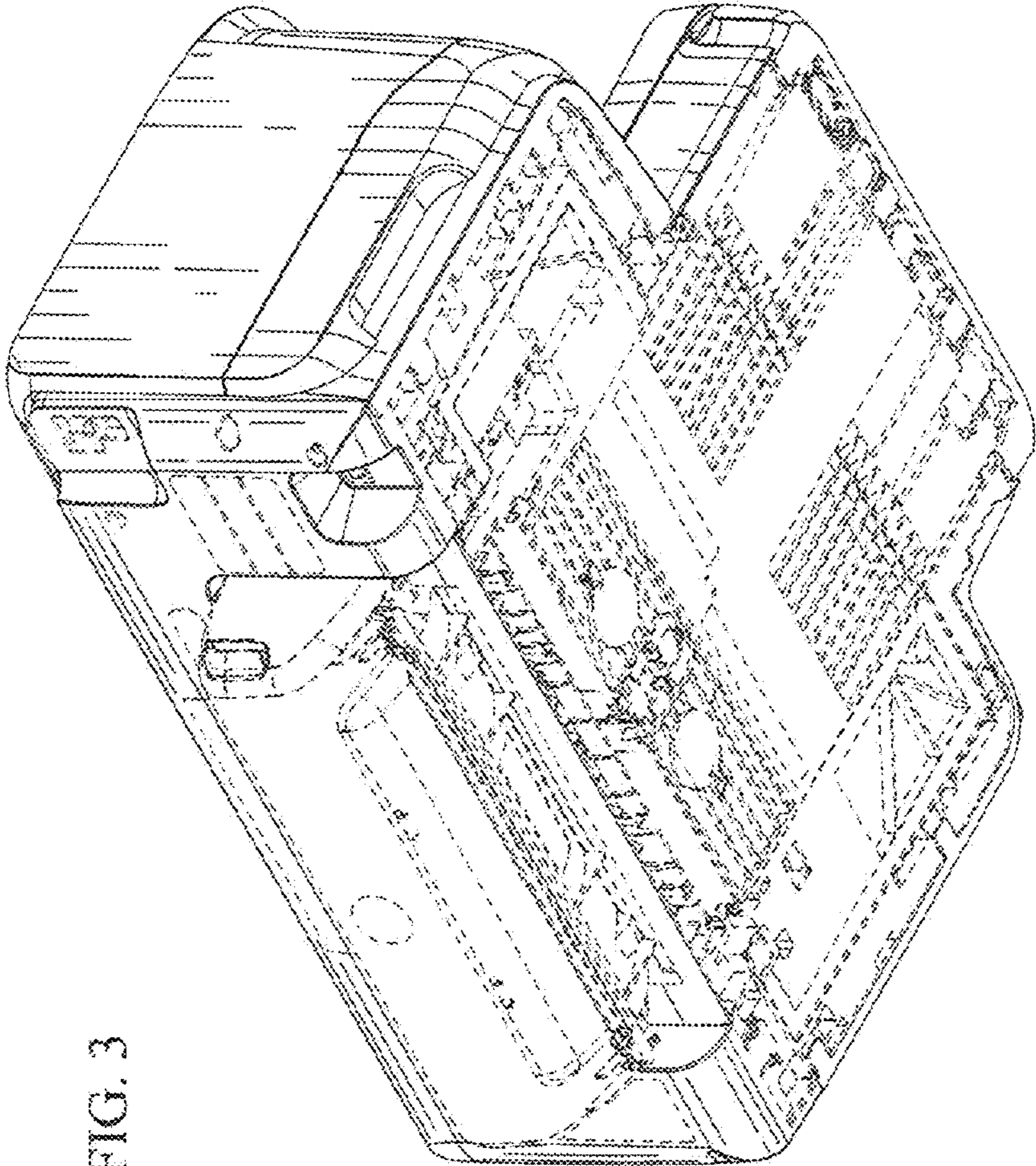


FIG. 3

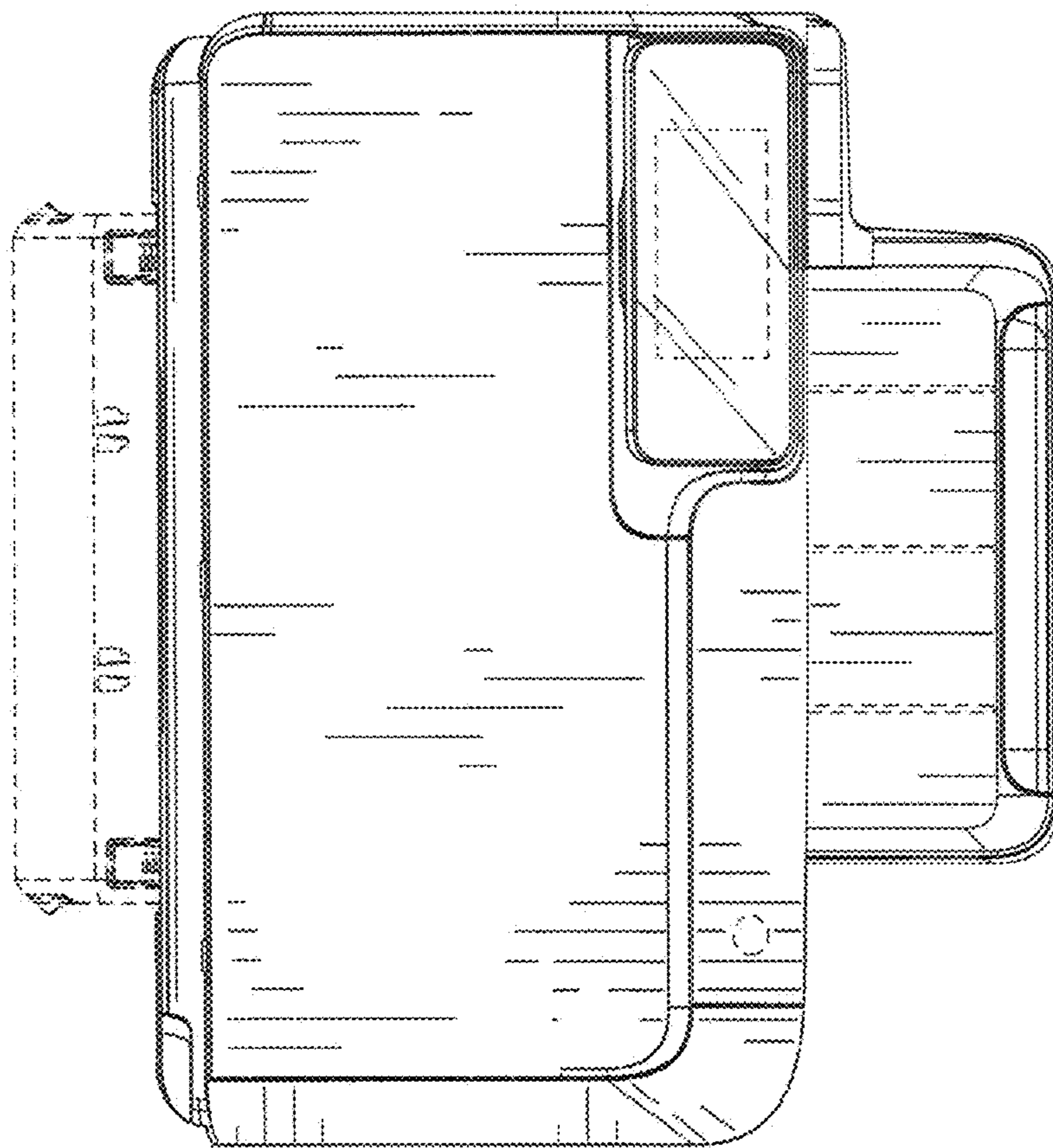


FIG. 4

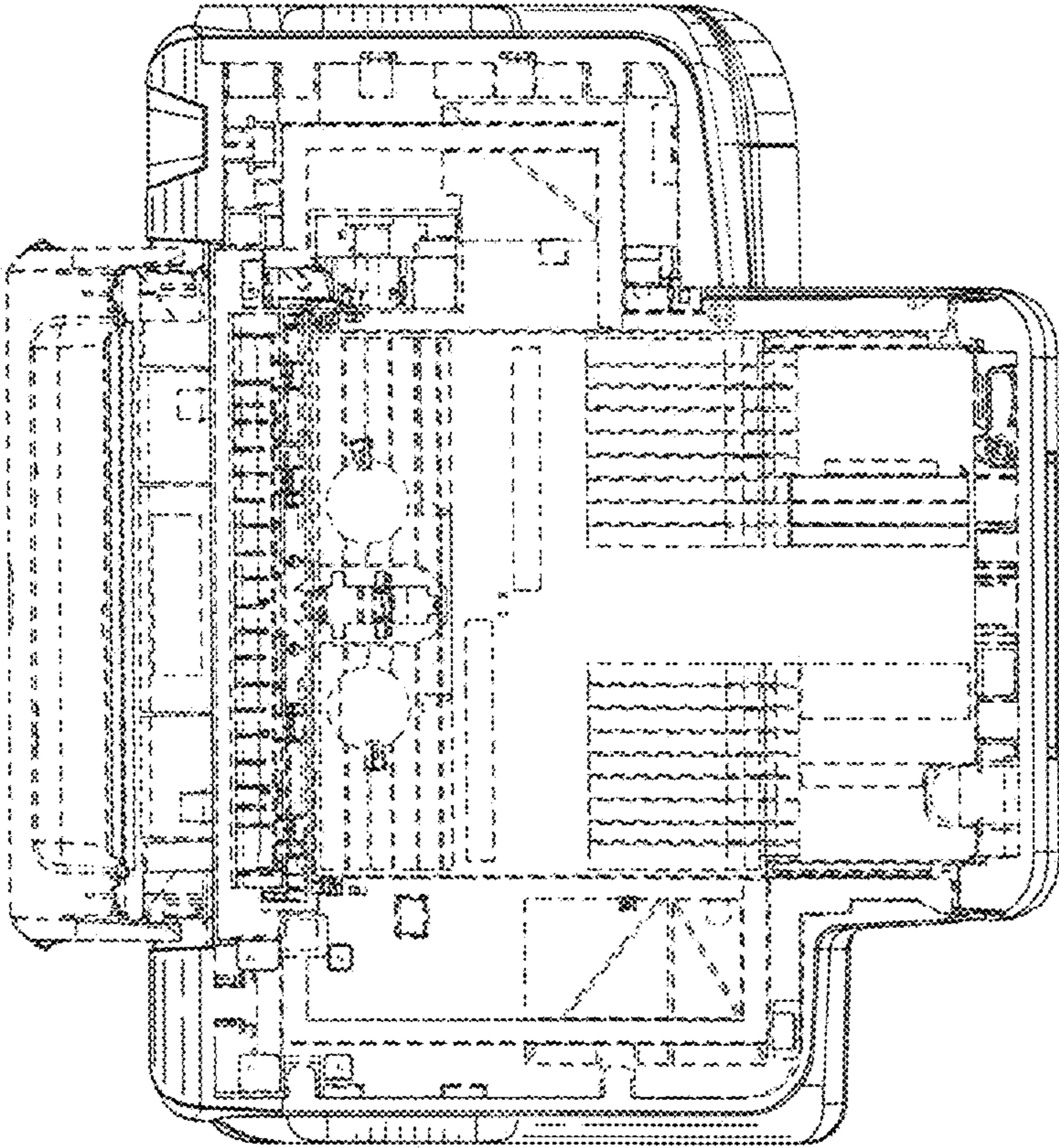


FIG. 5



FIG. 6

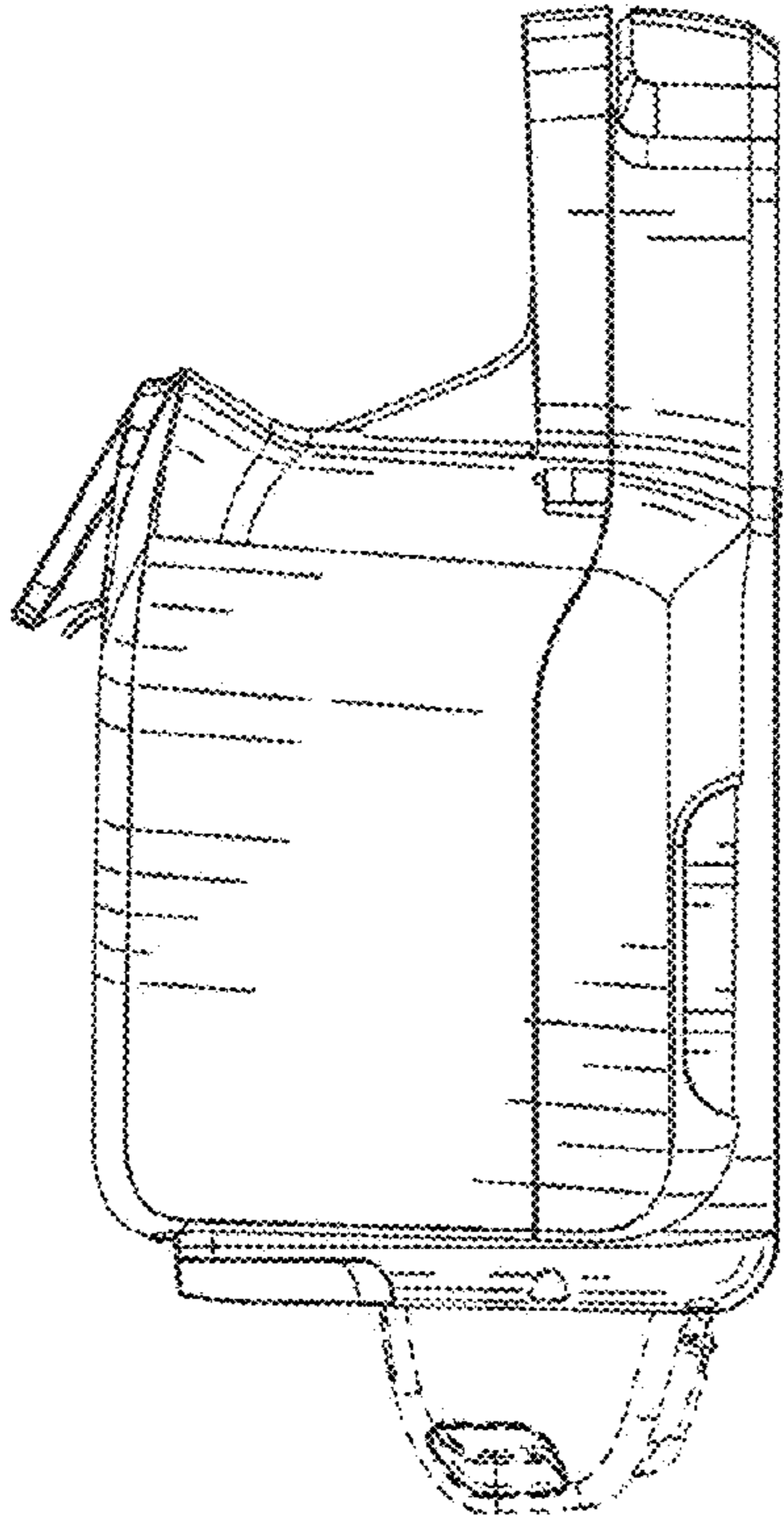


FIG. 7

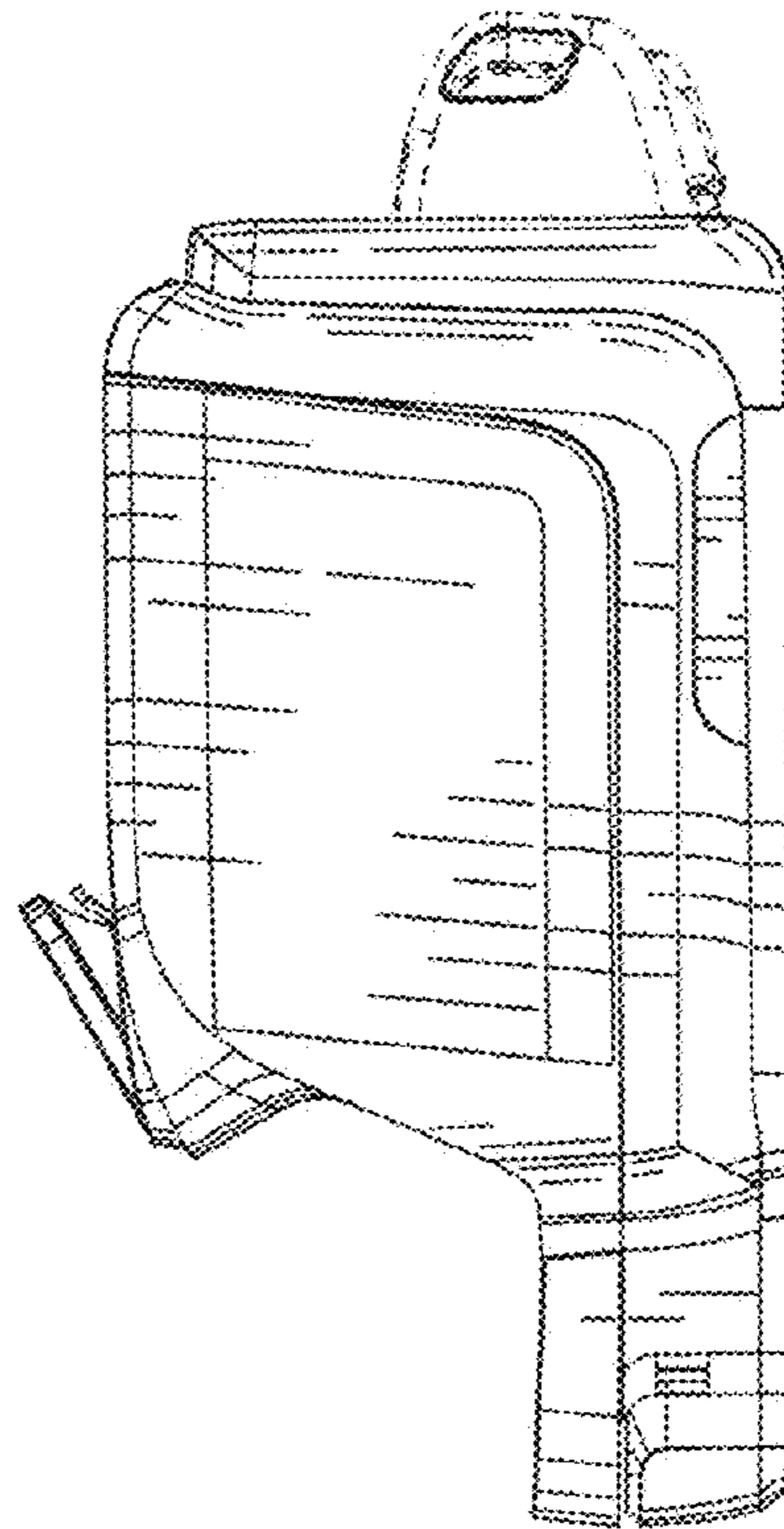




FIG. 8

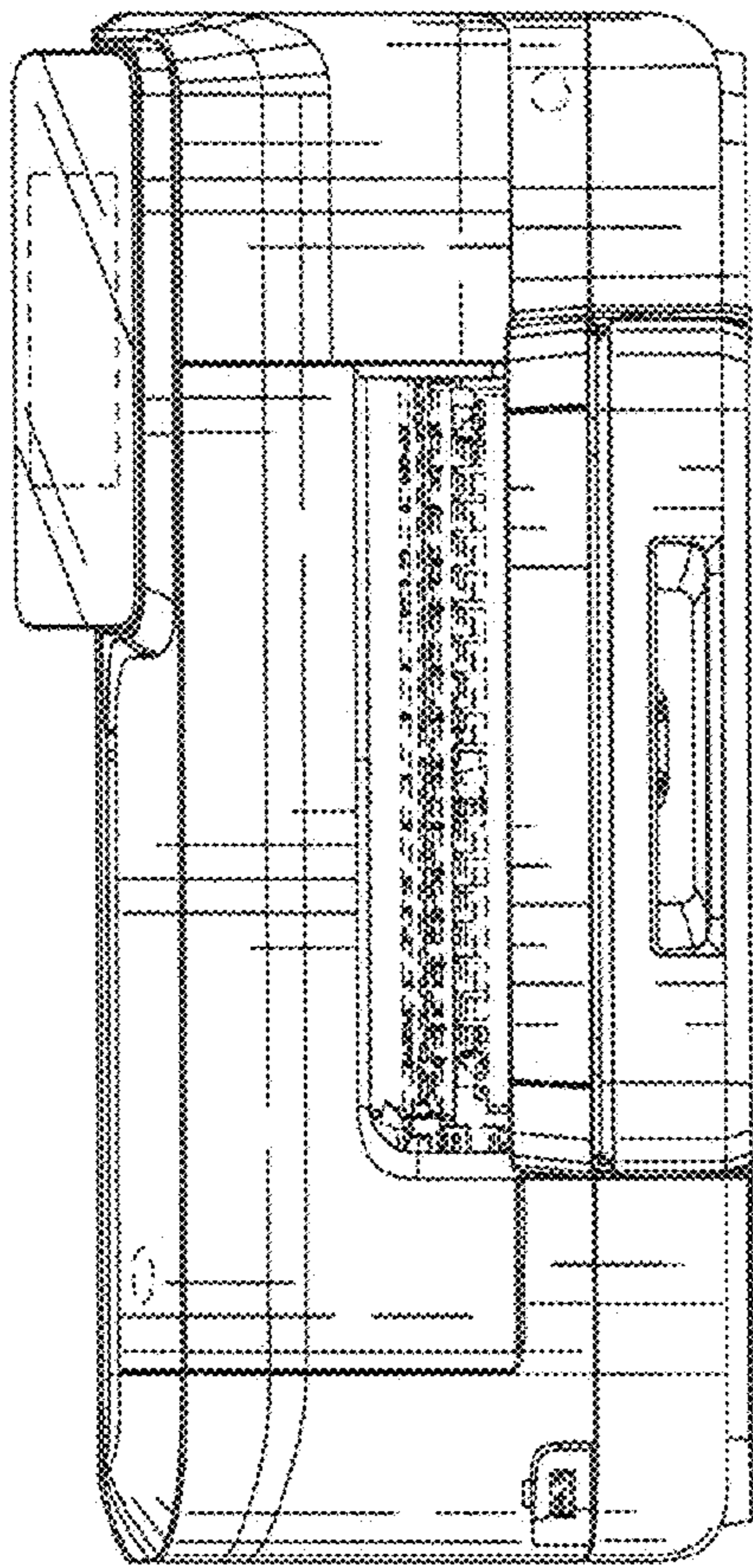


FIG. 9

