



US00D718313S

(12) **United States Design Patent**  
**Goh et al.**

(10) **Patent No.:** **US D718,313 S**

(45) **Date of Patent:** **\*\* Nov. 25, 2014**

(54) **IMAGING DEVICE**

(71) Applicant: **Hewlett-Packard Development Company, LP.**, Houston, TX (US)

(72) Inventors: **Chun Long Goh**, Singapore (SG); **Chung Chiet Edwin Chin**, Singapore (SG); **Sandesh Halarnkar**, Singapore (SG); **Heng Yong Lau**, Singapore (SG); **Su Yu Soon**, Singapore (SG)

(73) Assignee: **Hewlett-Packard Development Company, L.P.**, Houston, TX (US)

(\*\*) Term: **14 Years**

(21) Appl. No.: **29/466,509**

(22) Filed: **Sep. 9, 2013**

(51) **LOC (10) Cl.** ..... **14-02**

(52) **U.S. Cl.**  
USPC ..... **D14/421**

(58) **Field of Classification Search**  
USPC ..... D14/421-425; D18/55, 49, 46, 40, D18/36-39, 41, 44, 45, 47, 48, 50-54, 56; 235/462, 455, 470, 462.43, 482, 483; 358/474, 486, 488, 496, 497, 498, 452, 358/449, 451, 453, 1.13; 318/685, 696; 355/81, 75; 399/405, 367, 379, 380; 382/217; 715/209, 222, 226, 274; 400/613, 613.1-613.4, 690.1-690.4, 400/691-694

See application file for complete search history.

(56) **References Cited**

**U.S. PATENT DOCUMENTS**

D411,186 S \* 6/1999 Izaki ..... D14/421  
D531,175 S \* 10/2006 Moskaluk et al. .... D14/300

D534,578 S \* 1/2007 Katayama et al. .... D18/55  
D534,947 S \* 1/2007 Gant et al. .... D18/50  
D541,280 S \* 4/2007 Hasegawa et al. .... D14/421  
D551,700 S \* 9/2007 Park et al. .... D18/55  
D552,096 S \* 10/2007 Sugitani et al. .... D14/421  
D555,194 S \* 11/2007 Smith et al. .... D18/55  
D555,720 S \* 11/2007 Gant et al. .... D18/50  
D558,823 S \* 1/2008 Alfonso et al. .... D18/55  
D558,824 S \* 1/2008 Alfonso et al. .... D18/55  
D559,899 S \* 1/2008 Leong et al. .... D18/50  
D561,250 S \* 2/2008 Smith et al. .... D18/55  
D561,251 S \* 2/2008 Tjin Wong Joe et al. .... D18/55  
D566,755 S \* 4/2008 Gant et al. .... D18/50  
D573,145 S \* 7/2008 Laidlaw et al. .... D14/421  
D573,633 S \* 7/2008 Laidlaw et al. .... D18/55

(Continued)

*Primary Examiner* — Susan Moon Lee

(57) **CLAIM**

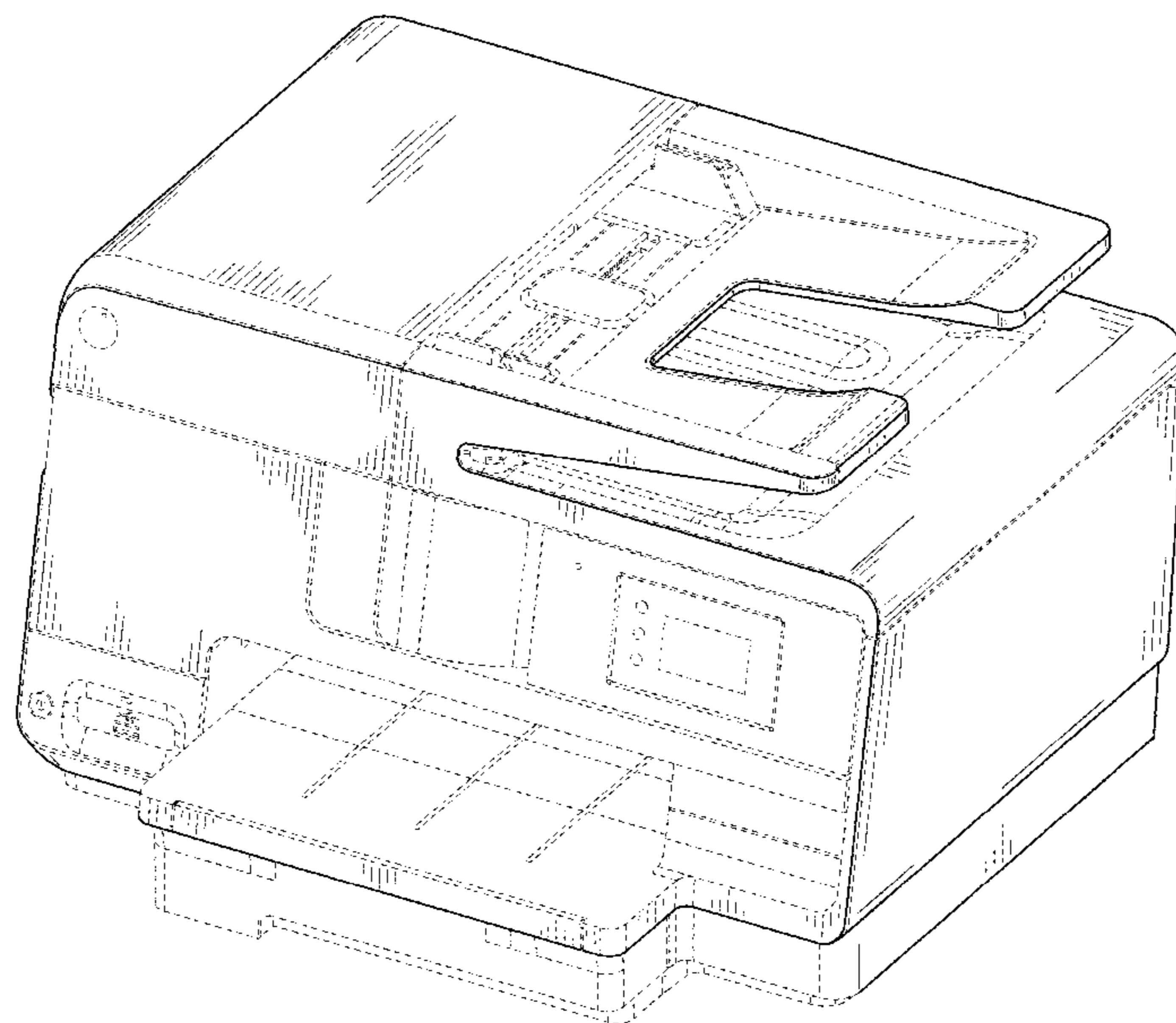
The ornamental design for an “imaging device,” as shown and described.

**DESCRIPTION**

FIG. 1 is a front right perspective view of an imaging device. FIG. 2 is a front view of the imaging device of FIG. 1. FIG. 3 is a rear view of the imaging device of FIG. 1. FIG. 4 is a right side view of the imaging device of FIG. 1. FIG. 5 is left side view of the imaging device of FIG. 1. FIG. 6 is a top view of the imaging device of FIG. 1. FIG. 7 is a bottom view of the imaging device of FIG. 1. FIG. 8 is a front left perspective view of the imaging device of FIG. 1 with an output tray extended; and, FIG. 9 is front left perspective view of the imaging device of FIG. 1 with an input tray removed and positioned adjacent the imaging device.

Singular broken lines and entirely unshaded portions contained within broken lines are not claimed.

**1 Claim, 8 Drawing Sheets**



(56)

References Cited

U.S. PATENT DOCUMENTS

D579,042 S *	10/2008	Hattori	.....	D18/50	D660,908 S *	5/2012	Leman et al.	.....	D18/55
D586,384 S *	2/2009	Yamaguchi et al.	.....	D18/55	D662,974 S *	7/2012	Suzuki et al.	.....	D18/55
D594,508 S *	6/2009	Joe et al.	.....	D18/55	D665,013 S *	8/2012	Ishikawa et al.	.....	D18/50
D595,347 S *	6/2009	Tjin Wong Joe et al.	.....	D18/55	D666,239 S *	8/2012	Larson et al.	.....	D18/55
D596,227 S *	7/2009	Larson et al.	.....	D18/55	D667,488 S *	9/2012	Inoue et al.	.....	D18/55
D608,823 S *	1/2010	Tomono	.....	D18/55	D673,211 S *	12/2012	Oishi	.....	D18/50
D609,270 S *	2/2010	Kato et al.	.....	D18/55	D673,213 S *	12/2012	Kim et al.	.....	D18/55
D611,091 S *	3/2010	Ishikawa et al.	.....	D18/55	D676,483 S *	2/2013	Kim et al.	.....	D18/50
D622,272 S *	8/2010	Machida et al.	.....	D14/421	8,379,278 B2 *	2/2013	Kawai	.....	358/498
D633,556 S *	3/2011	Park et al.	.....	D18/55	D680,161 S *	4/2013	Goh et al.	.....	D18/50
D634,361 S *	3/2011	Terenzio et al.	.....	D18/55	D680,162 S *	4/2013	Goh et al.	.....	D18/55
D641,038 S *	7/2011	Park et al.	.....	D18/55	D680,163 S *	4/2013	Lim et al.	.....	D18/55
D641,395 S *	7/2011	Park et al.	.....	D18/55	D680,581 S *	4/2013	Nakata et al.	.....	D18/50
D641,778 S *	7/2011	Lee et al.	.....	D18/55	D681,721 S *	5/2013	Iwai et al.	.....	D18/50
D645,897 S *	9/2011	Chuang et al.	.....	D18/50	D682,928 S *	5/2013	Kim et al.	.....	D18/55
D647,133 S *	10/2011	Sato et al.	.....	D18/55	D686,658 S *	7/2013	Matsuno et al.	.....	D18/50
D648,377 S *	11/2011	Miyauchi et al.	.....	D18/50	D687,092 S *	7/2013	Suzuki et al.	.....	D18/49
D649,183 S *	11/2011	Miyauchi et al.	.....	D18/50	D689,543 S *	9/2013	Seki et al.	.....	D18/50
D650,388 S *	12/2011	Hidaka	.....	D14/422	8,526,081 B2 *	9/2013	Asada et al.	.....	358/498
8,089,666 B2 *	1/2012	Andoh et al.	.....	358/498	8,542,415 B2 *	9/2013	Takeuchi et al.	.....	358/498
8,154,770 B2 *	4/2012	Shiraki et al.	.....	358/401	8,542,416 B2 *	9/2013	Takeuchi	.....	358/498
D659,187 S *	5/2012	Choo	.....	D18/55	8,542,417 B2 *	9/2013	Nagami	.....	358/498
D660,351 S *	5/2012	Larson et al.	.....	D18/55	D691,570 S *	10/2013	Fleischer et al.	.....	1/1
					D695,339 S *	12/2013	Fukasawa et al.	.....	D18/55
					D705,781 S *	5/2014	Yin et al.	.....	D14/421
					2010/0078872 A1 *	4/2010	Asada et al.	.....	271/10.12

\* cited by examiner

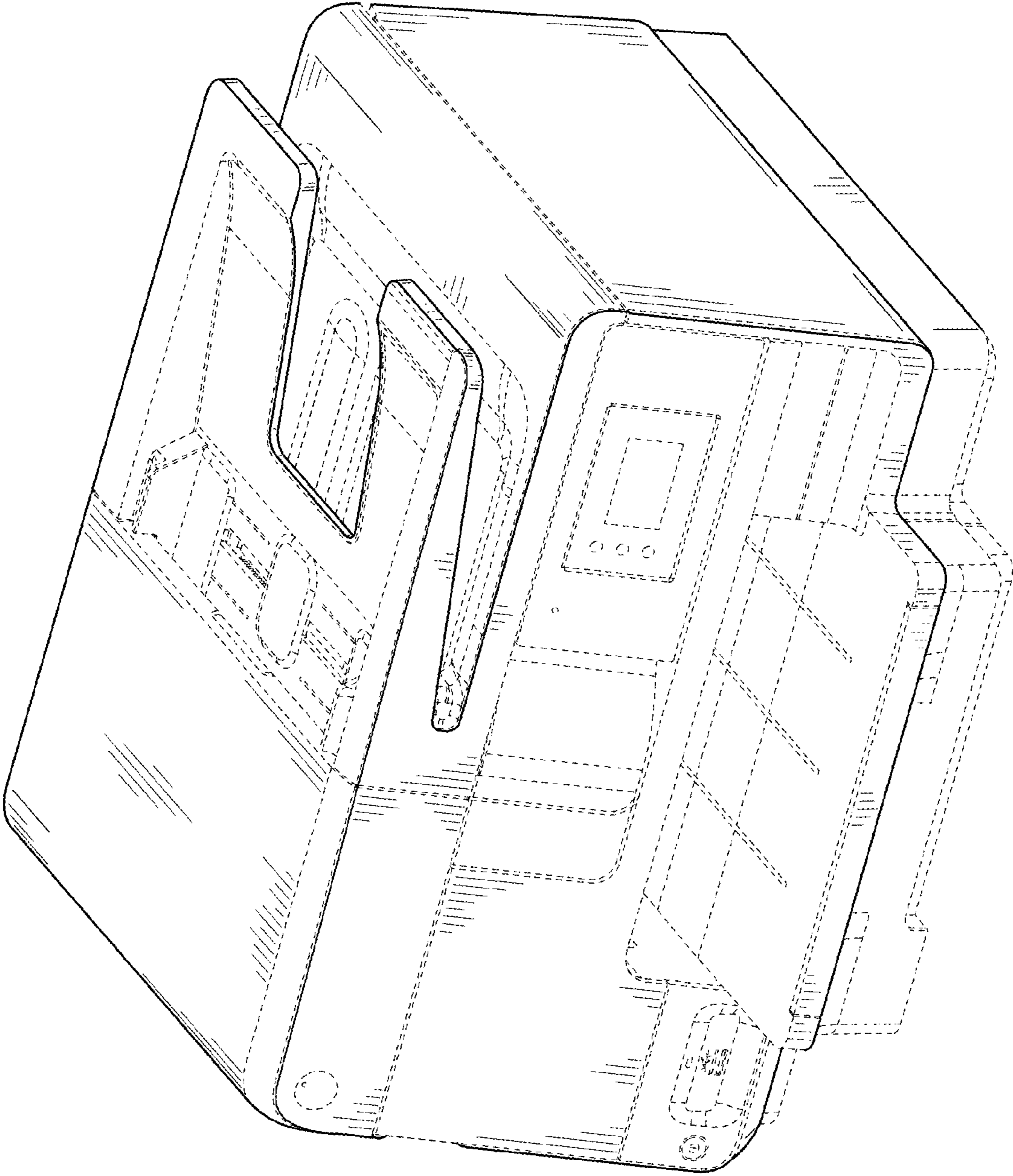


FIG. 1

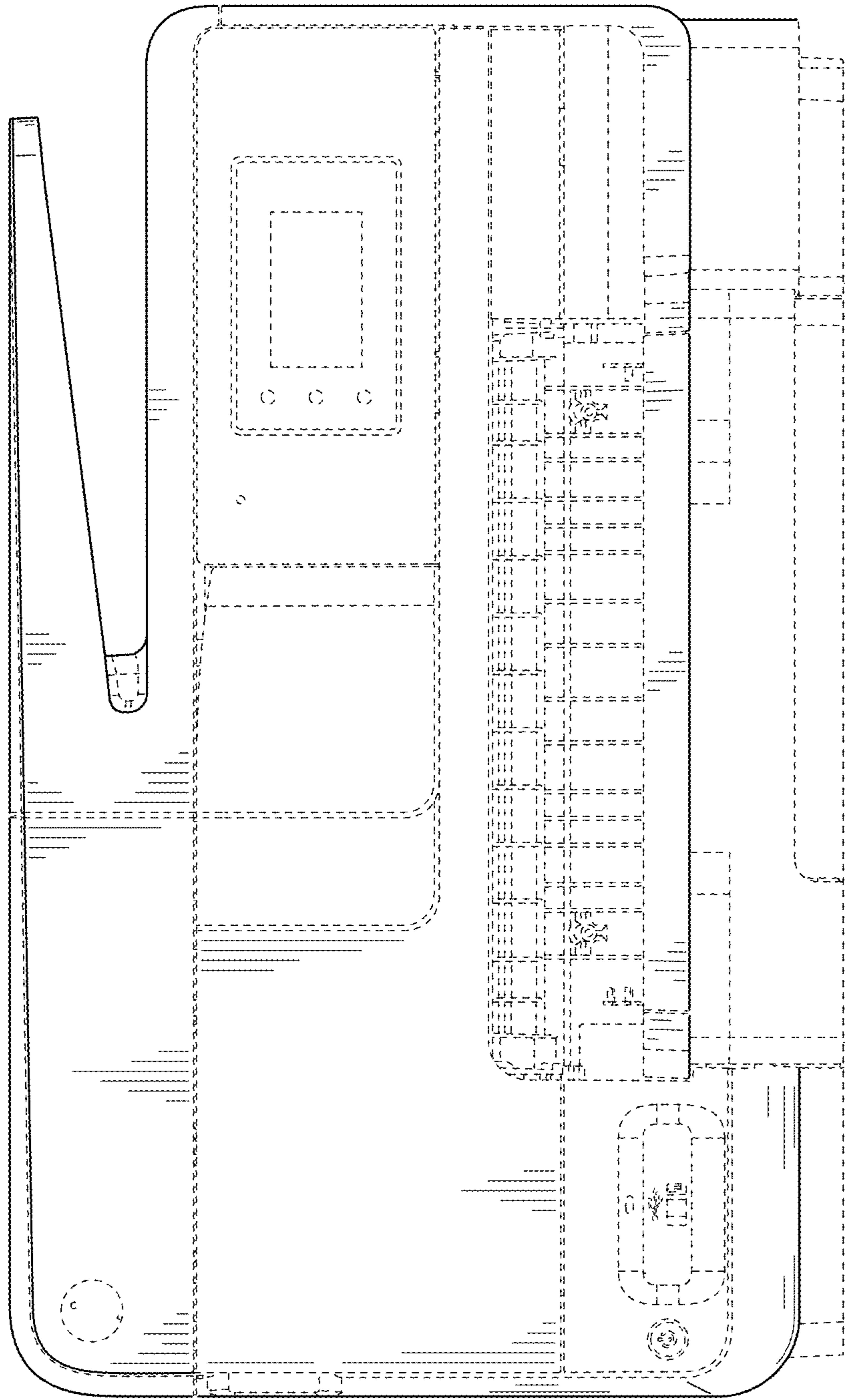


FIG. 2

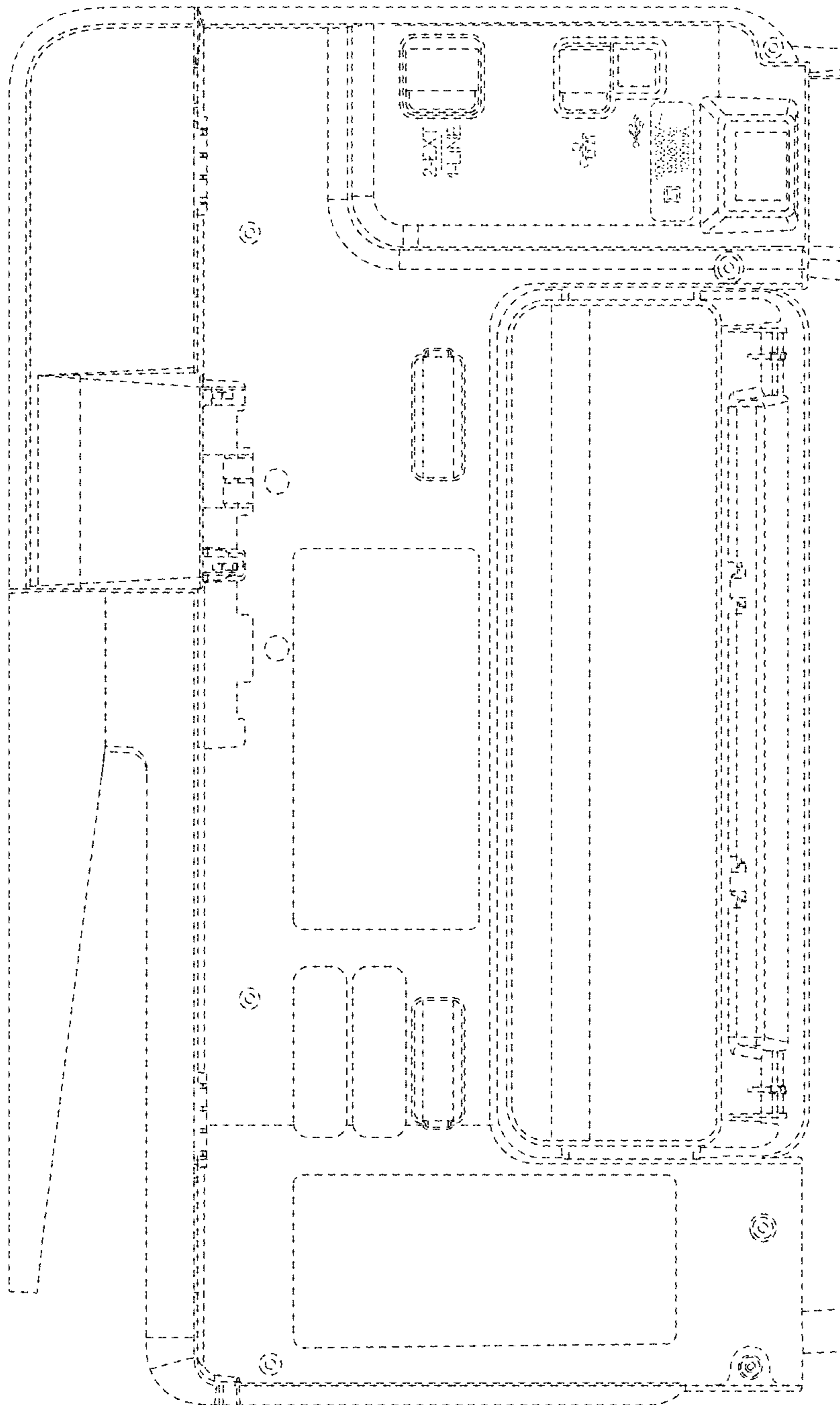


FIG. 3

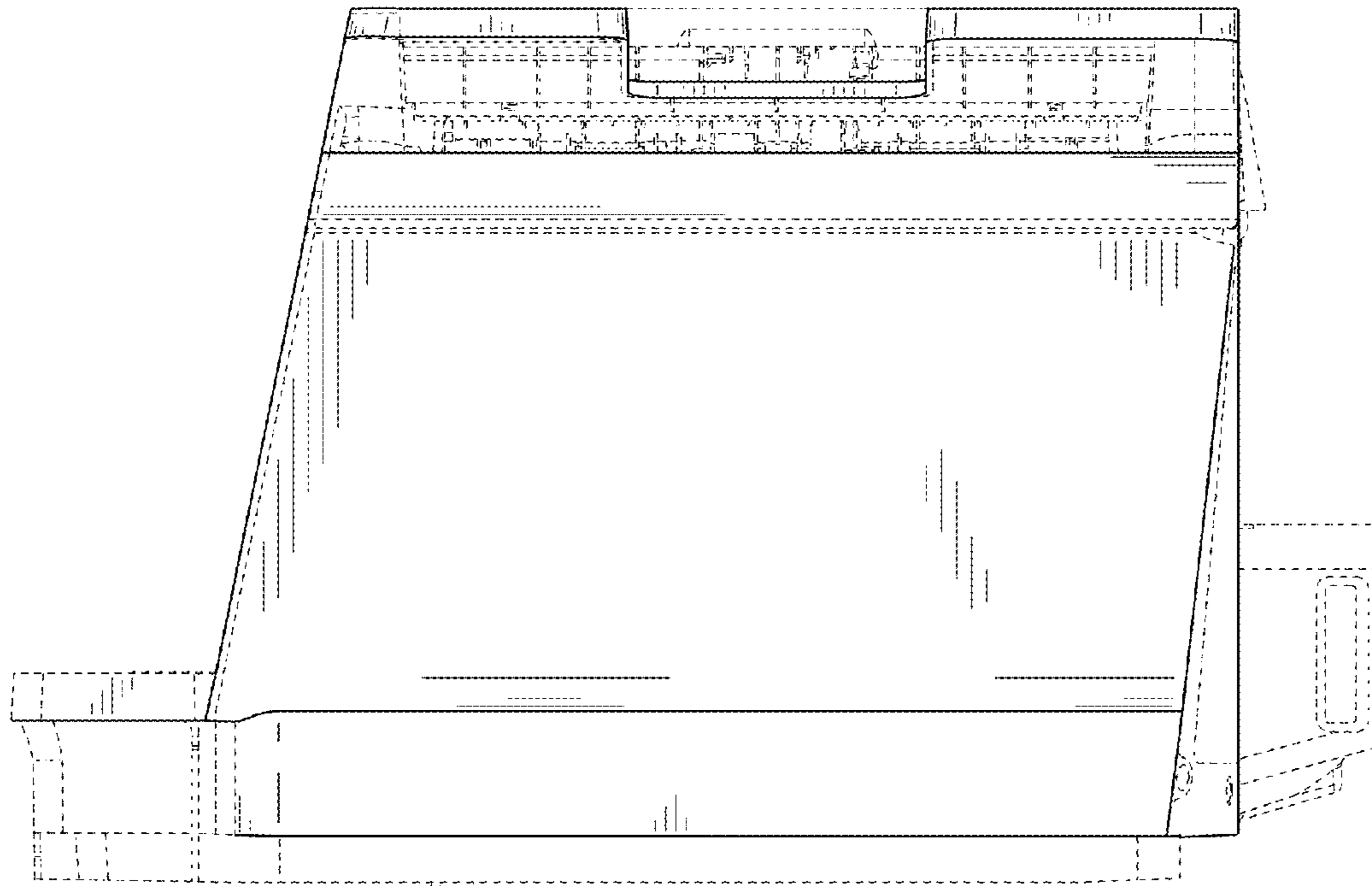


FIG. 4

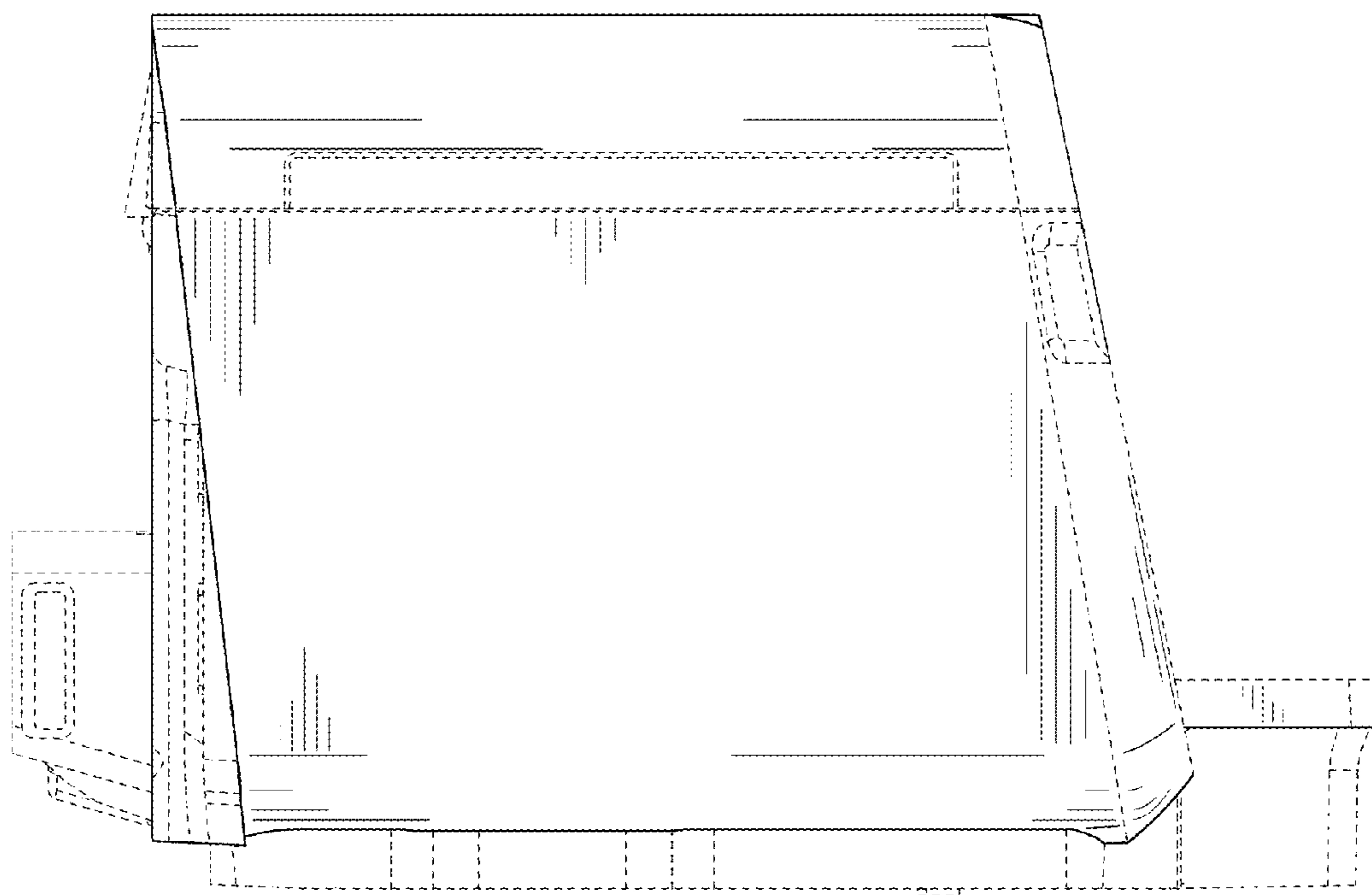


FIG. 5

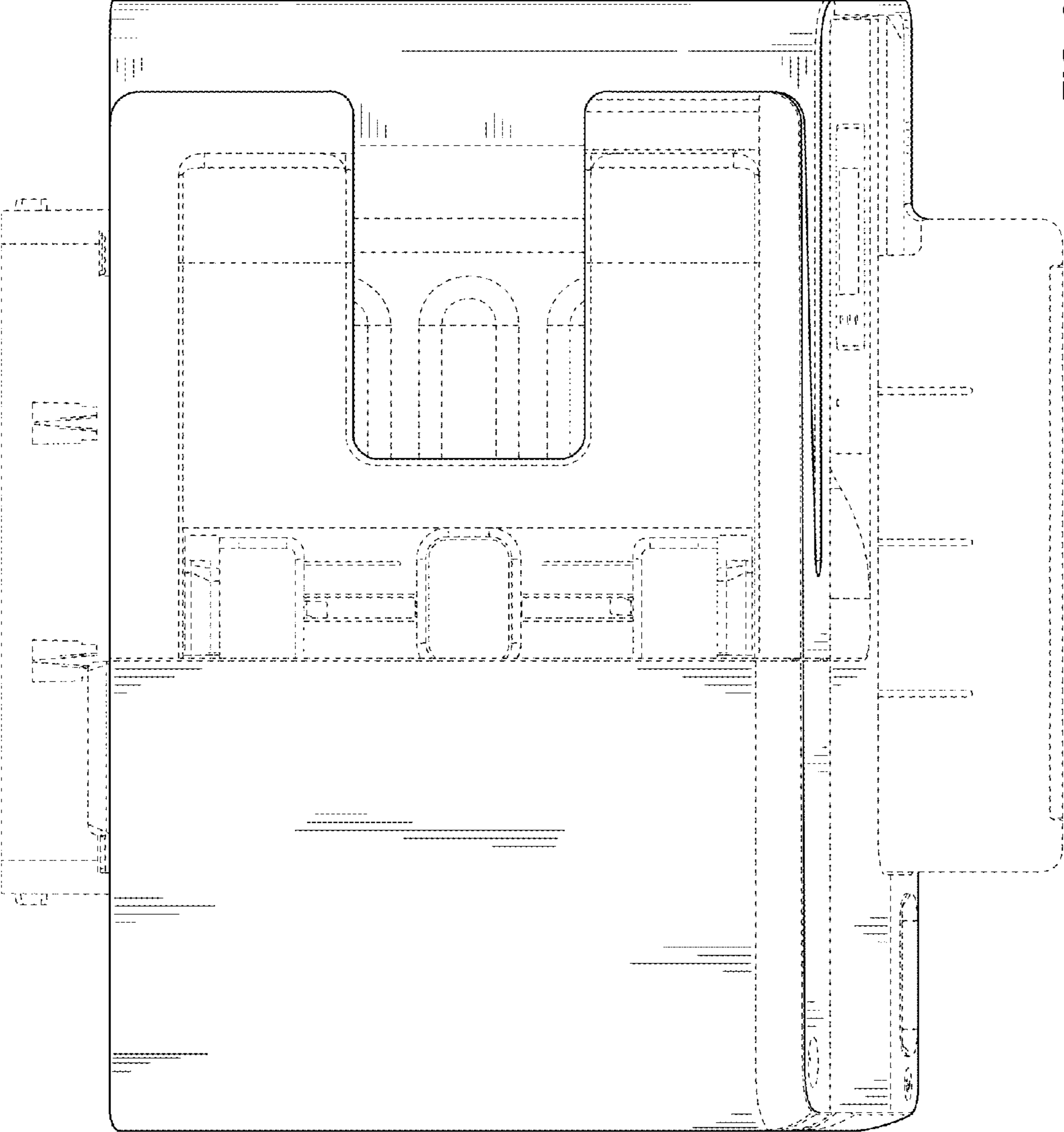


FIG. 6

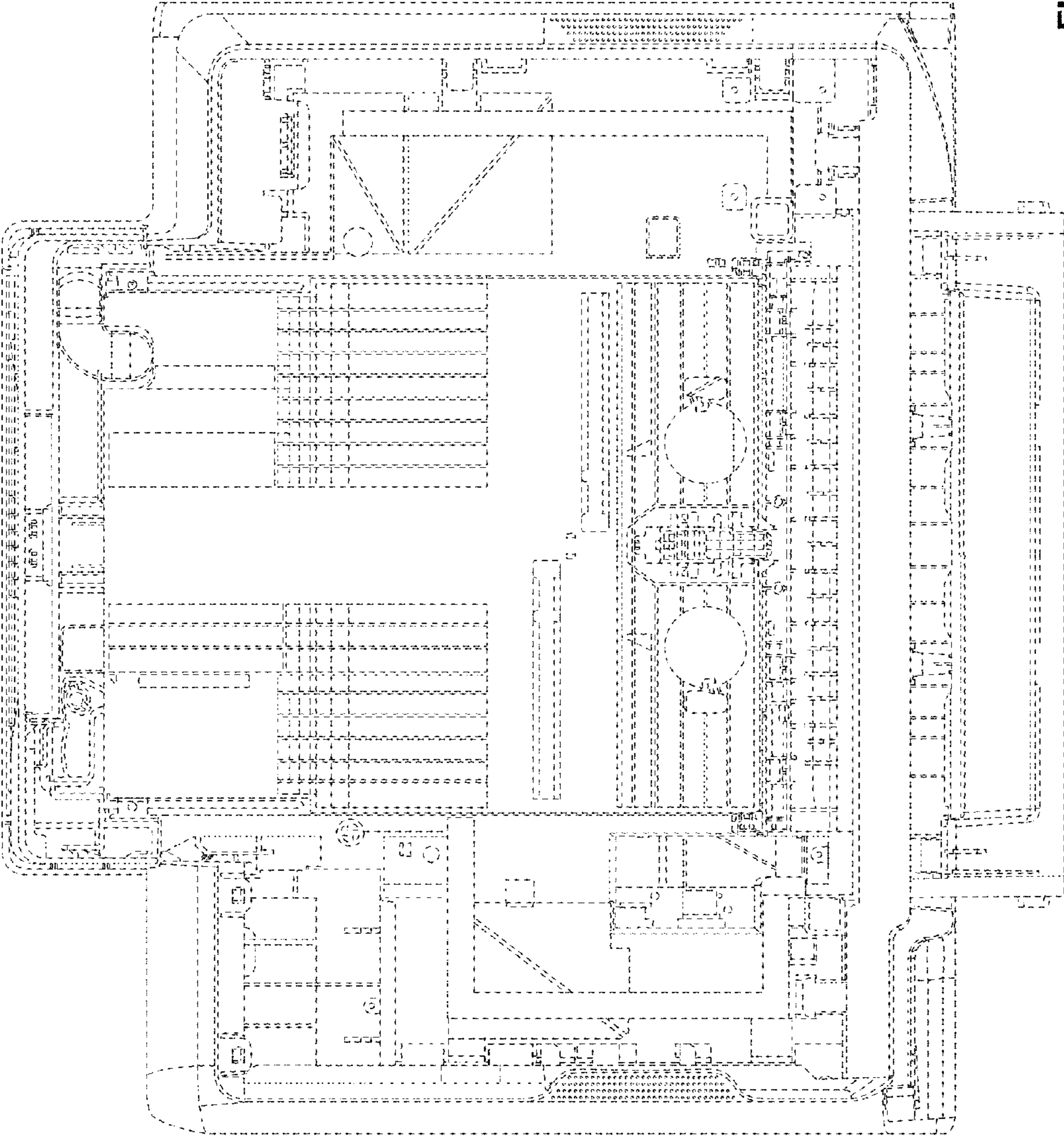


FIG. 7



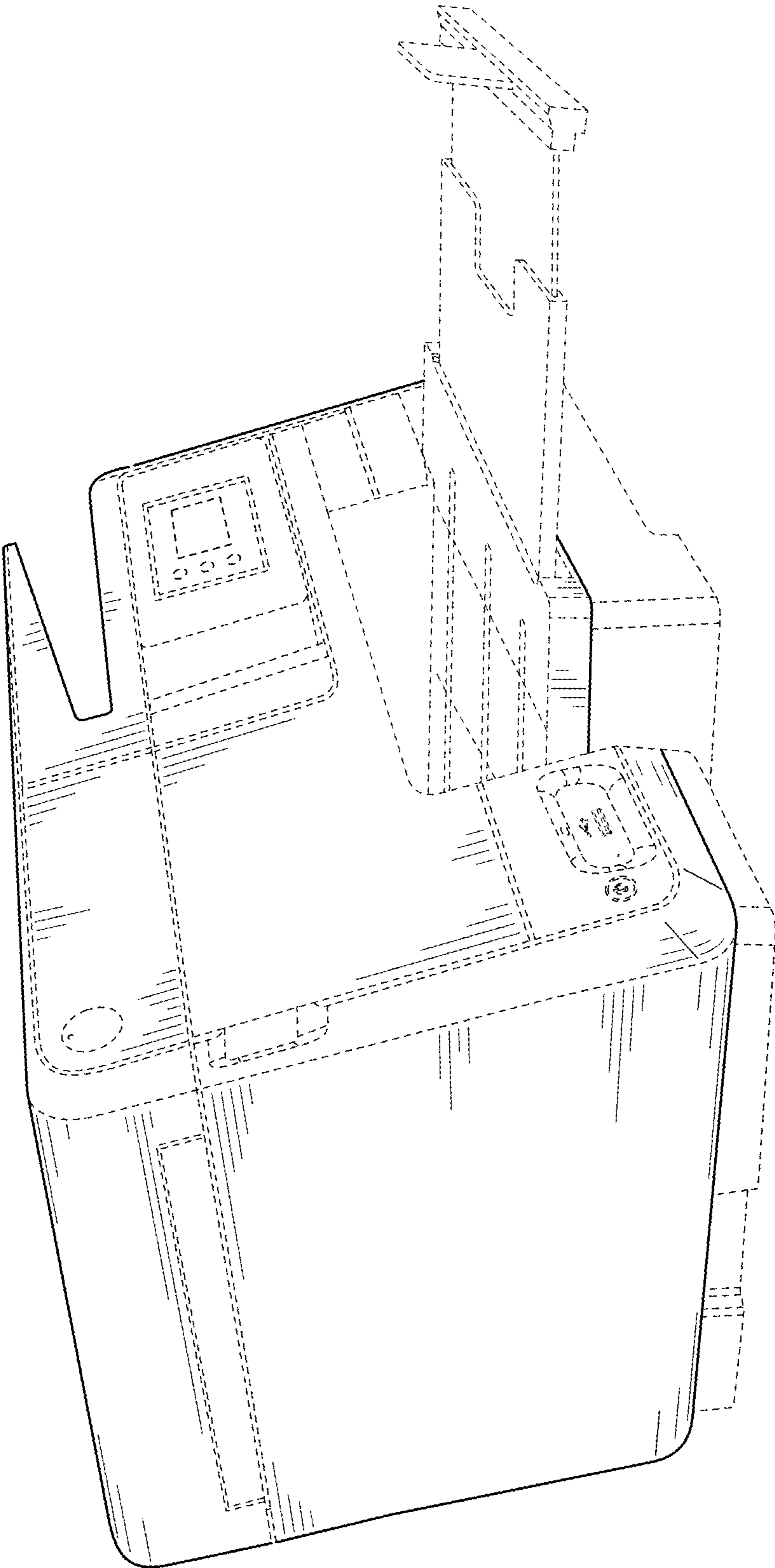


FIG. 8

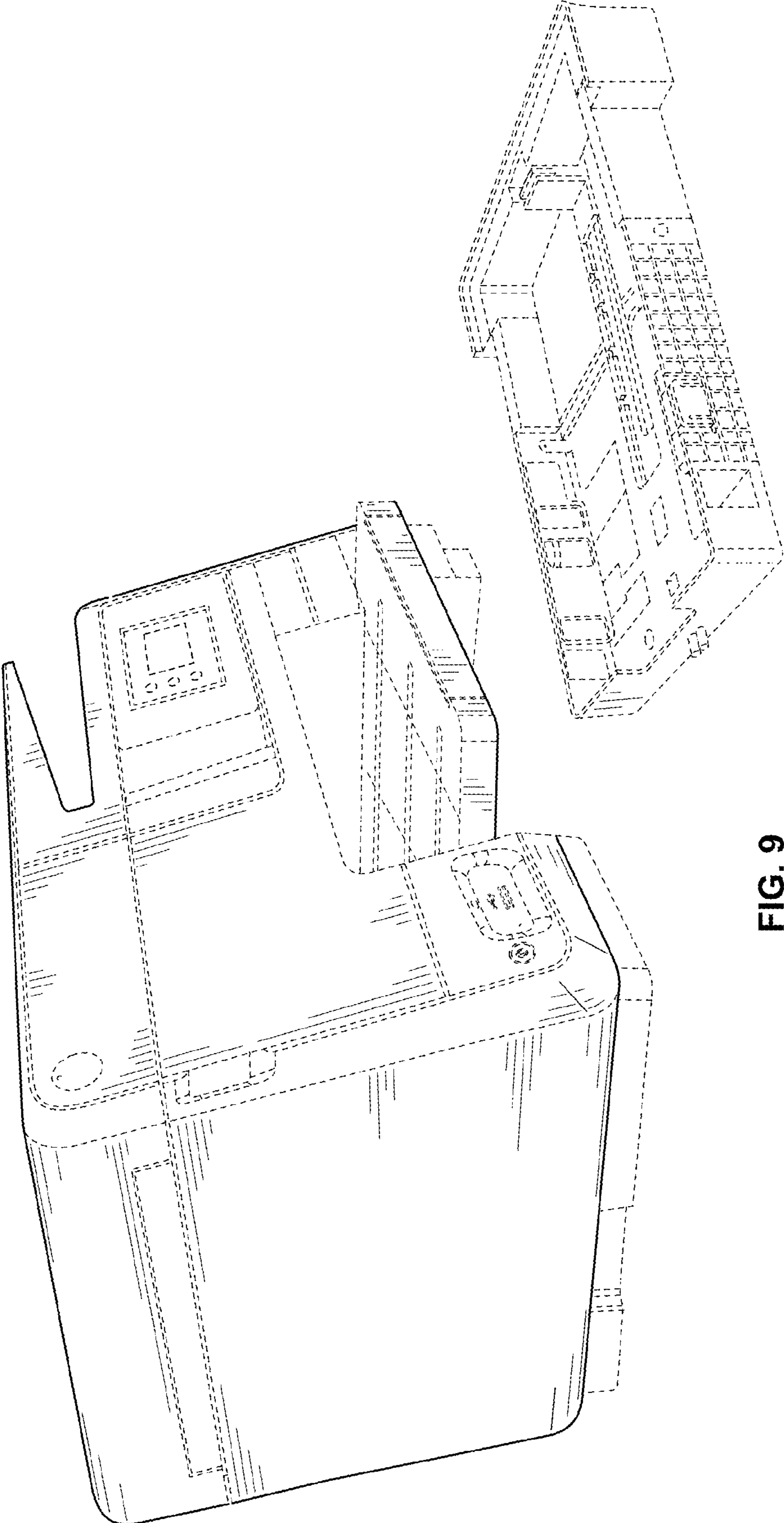


FIG. 9