



US00D718311S

(12) **United States Design Patent**
Burke

(10) **Patent No.:** **US D718,311 S**

(45) **Date of Patent:** **** Nov. 25, 2014**

- (54) **KEYBOARD THIMBLE**
- (71) Applicant: **Lynn A. Burke**, Reynoldsburg, OH (US)
- (72) Inventor: **Lynn A. Burke**, Reynoldsburg, OH (US)
- (**) Term: **14 Years**
- (21) Appl. No.: **29/492,409**
- (22) Filed: **May 30, 2014**
- (51) **LOC (10) Cl.** **14-02**
- (52) **U.S. Cl.**
USPC **D14/411**
- (58) **Field of Classification Search**
CPC G06F 3/016; G06F 3/033; G06F 3/0317;
G06F 3/03545; G06F 3/041; G06K 9/222
USPC D8/61; D14/411; D19/35, 36, 41-51,
D19/54-58; 401/55, 99, 100, 104-107, 8,
401/196, 197, 202, 208, 209, 213, 192, 195,
401/243; 708/107; 345/179, 173, 156;
178/19.01; 700/94; D11/3, 5
See application file for complete search history.

D570,915	S	*	6/2008	De Beer	D19/57
D576,625	S	*	9/2008	Trigg et al.	D14/411
7,476,043	B1	*	1/2009	Rivas	401/7
D597,547	S	*	8/2009	Smith	D14/411
D610,145	S	*	2/2010	Smith	D14/411
D616,447	S	*	5/2010	Smith	D14/411
D618,243	S	*	6/2010	Chamblin	D14/411
D653,813	S	*	2/2012	Rogers	D29/114
D662,500	S	*	6/2012	OQuin	D14/411
D670,334	S	*	11/2012	Hanson	D19/55
D700,909	S	*	3/2014	Bowser	D14/432
D701,861	S	*	4/2014	Foster et al.	D14/411
D705,228	S	*	5/2014	Peters	D14/411
2002/0101401	A1	*	8/2002	Movahed	345/156
2008/0106521	A1	*	5/2008	Nave	345/173
2009/0078478	A1	*	3/2009	Newman	178/19.01
2010/0243974	A1	*	9/2010	Jaeger	254/133 R
2011/0187680	A1	*	8/2011	Samol	345/179

* cited by examiner

Primary Examiner — Austin Murphy

(57) **CLAIM**

The ornamental design for a keyboard thimble, as shown and described.

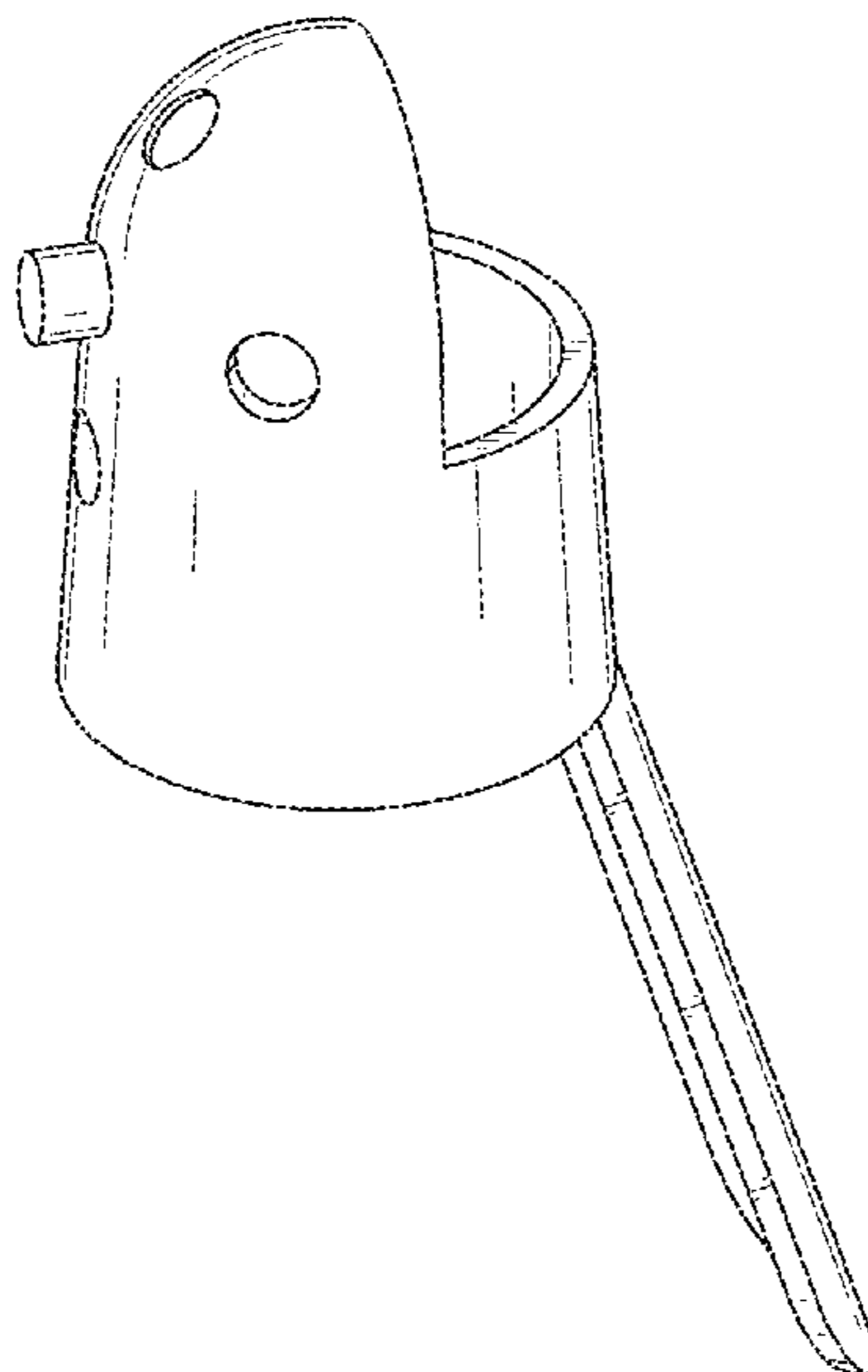
DESCRIPTION

FIG. 1 is a perspective front view of a keyboard thimble; FIG. 2 is a front elevation view of the keyboard thimble; FIG. 3 is a rear elevation view of the keyboard thimble; FIG. 4 is a left side elevation view of the keyboard thimble; the right side view being a mirror image thereof; FIG. 5 is a top plan view of the keyboard thimble; and, FIG. 6 is a bottom plan view of the keyboard thimble.

1 Claim, 3 Drawing Sheets

(56) **References Cited**
U.S. PATENT DOCUMENTS

D212,981	S	*	12/1968	Laybourne	D19/41
D246,904	S	*	1/1978	MacIntosh	D19/41
D253,416	S	*	11/1979	MacIntosh	D19/41
6,225,988	B1	*	5/2001	Robb	345/179
6,626,598	B2	*	9/2003	Schneider	401/8
D487,896	S	*	3/2004	Tanner, Jr.	D14/411
D544,484	S	*	6/2007	Hussaini et al.	D14/411
D569,511	S	*	5/2008	Poll et al.	D24/135



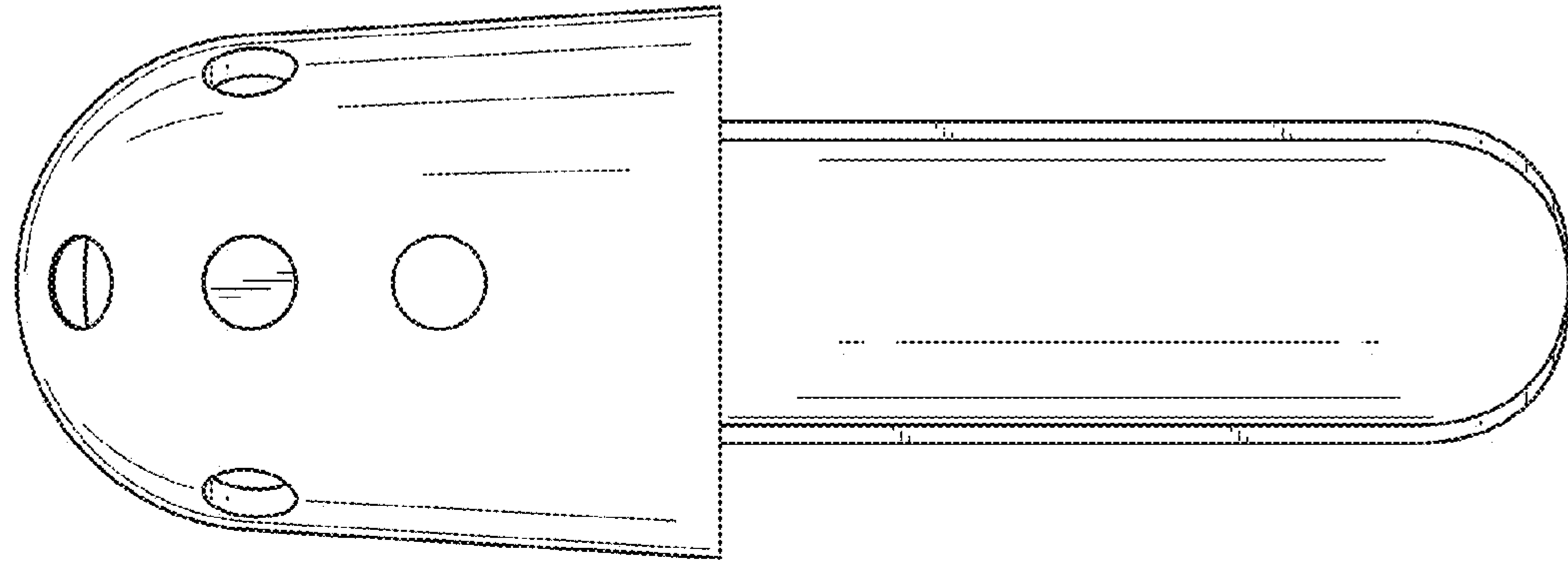


FIG. 2

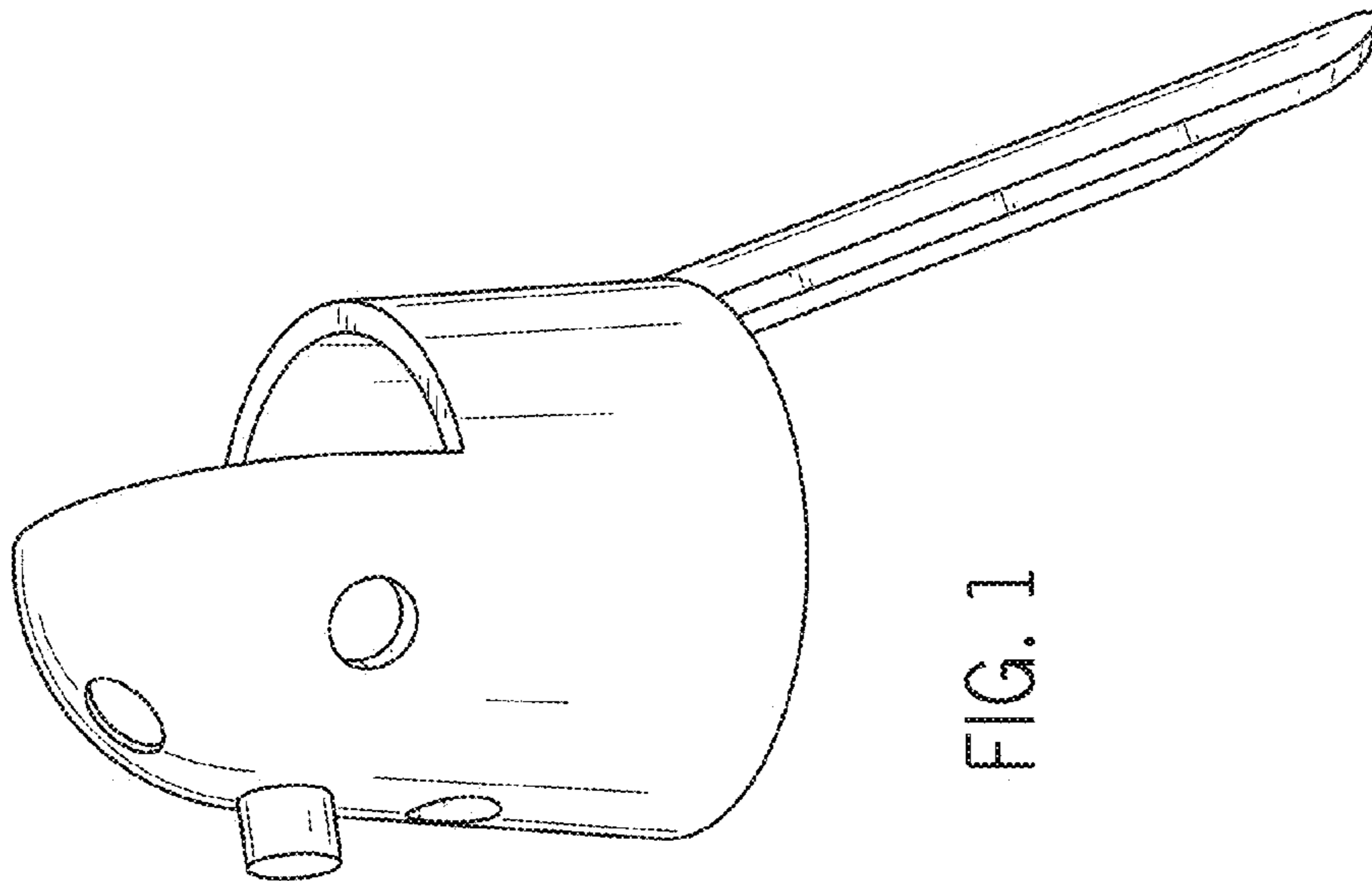


FIG. 1

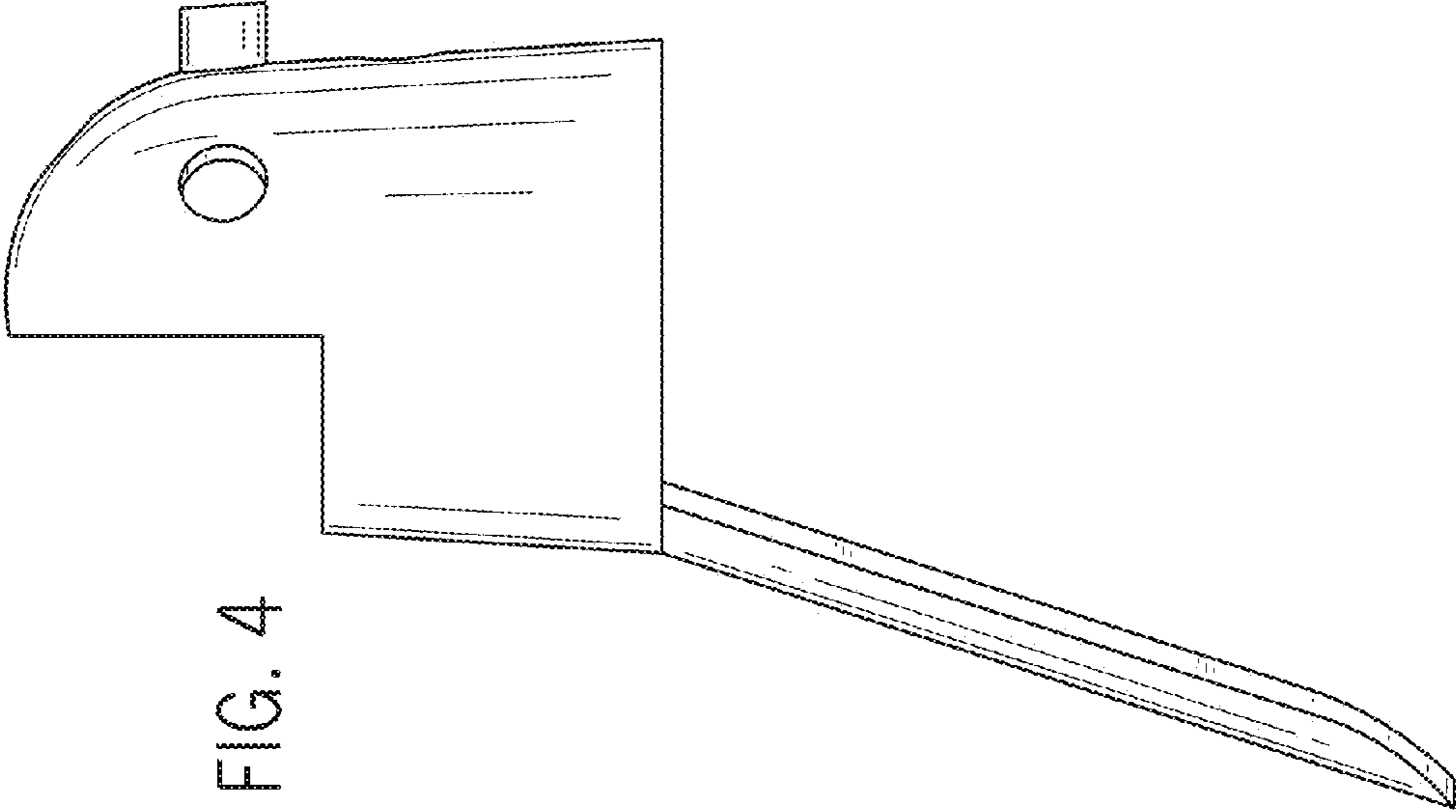


FIG. 4

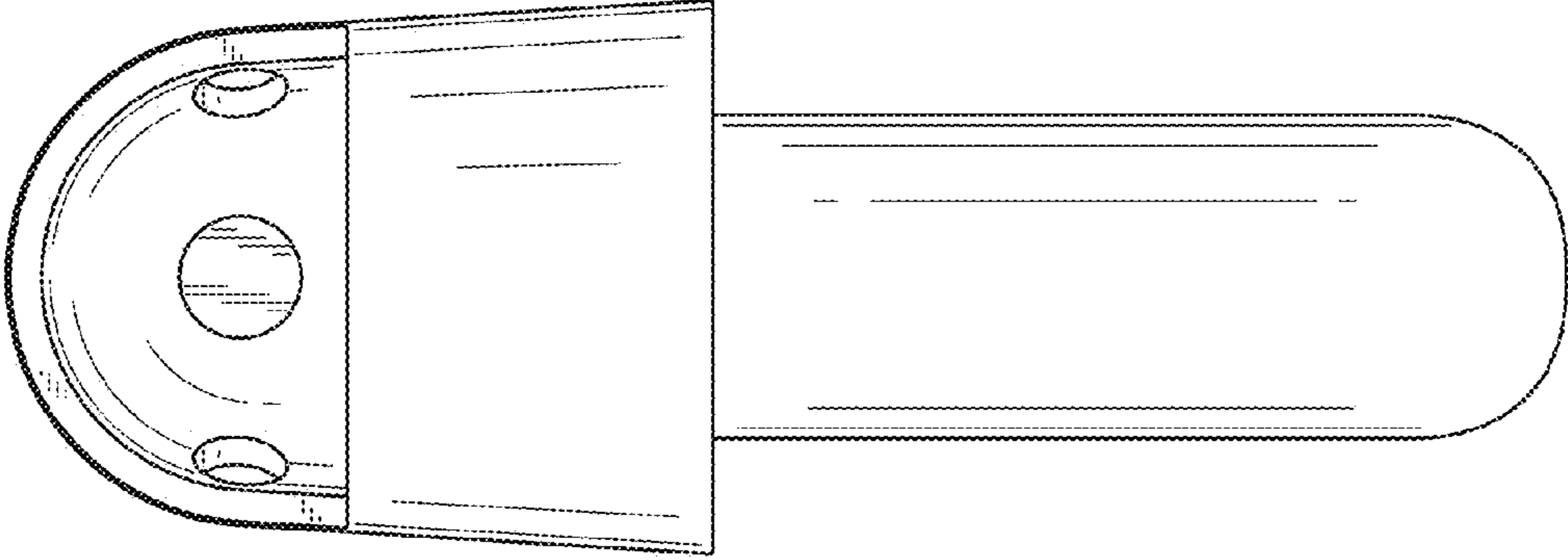


FIG. 3

FIG. 5

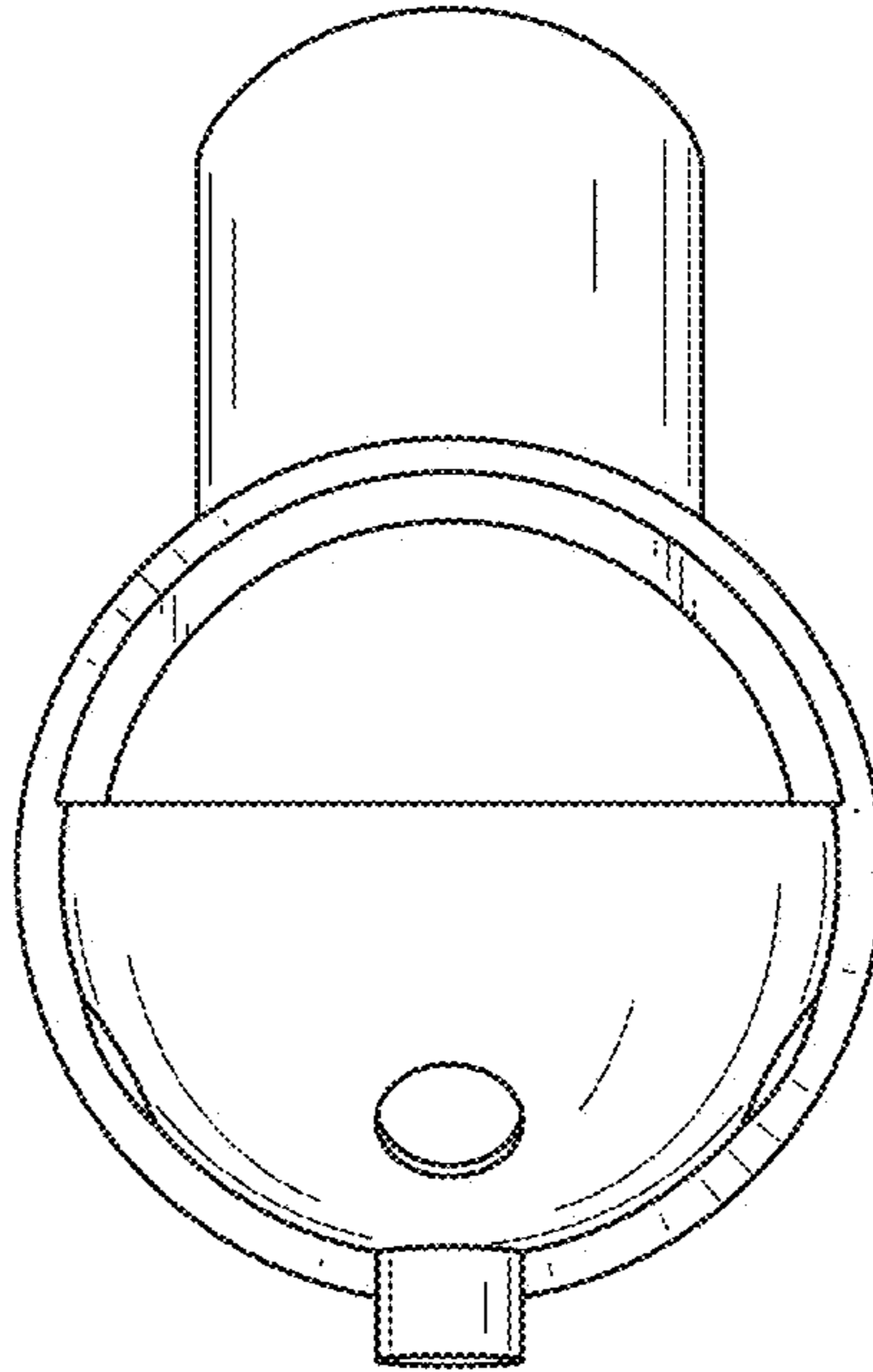


FIG. 6

