



US00D718310S

(12) **United States Design Patent**
Moon et al.

(10) **Patent No.:** **US D718,310 S**

(45) **Date of Patent:** **** Nov. 25, 2014**

(54) **COMPUTER MOUSE**

(56) **References Cited**

(71) Applicant: **Zalman Tech Co., Ltd.**, Gyeonggi-do (KR)

U.S. PATENT DOCUMENTS

(72) Inventors: **Hee Man Moon**, Gyeonggi-do (KR);
Tae Hyun Kim, Gyeonggi-do (KR)

D533,554 S *	12/2006	Sheehan et al.	D14/409
D591,293 S *	4/2009	Manalo	D14/402
D591,294 S *	4/2009	Manalo	D14/402
D596,180 S *	7/2009	Manalo et al.	D14/406
D618,685 S *	6/2010	Haase et al.	D14/409
D669,895 S *	10/2012	Li et al.	D14/409
D680,113 S *	4/2013	Li et al.	D14/409
D688,245 S *	8/2013	Guerra	D14/409
D688,664 S *	8/2013	Guerra	D14/409
D693,810 S *	11/2013	Moon	D14/409

(73) Assignee: **Zalman Tech Co., Ltd.**, Gyeonggi-do (KR)

(**) Term: **14 Years**

* cited by examiner

(21) Appl. No.: **29/493,958**

Primary Examiner — Austin Murphy

(22) Filed: **Jun. 16, 2014**

(74) *Attorney, Agent, or Firm* — Ladas & Parry LLP

(30) **Foreign Application Priority Data**

(57) **CLAIM**

Dec. 18, 2013 (KR) 30-2013-0064073

The ornamental design for a computer mouse, as shown and described.

(51) **LOC (10) Cl.** **14-02**

DESCRIPTION

(52) **U.S. Cl.**
USPC **D14/409**

FIG. 1 is a perspective view of a computer mouse showing our new design;
FIG. 2 is a front elevational view thereof;
FIG. 3 is a rear elevational view thereof;
FIG. 4 is a left side elevational view thereof;
FIG. 5 is a right side elevational view thereof; and,
FIG. 6 is a top plan view thereof.

(58) **Field of Classification Search**
CPC G06F 3/03543; G06F 2203/0333;
G06F 3/039; G06F 3/038; G06F 2203/0384
USPC D14/402-411, 356, 388, 389, 383-385,
D14/417, 426; 345/156-167; 463/36-38;
358/471, 473; 273/148 B

See application file for complete search history.

1 Claim, 4 Drawing Sheets

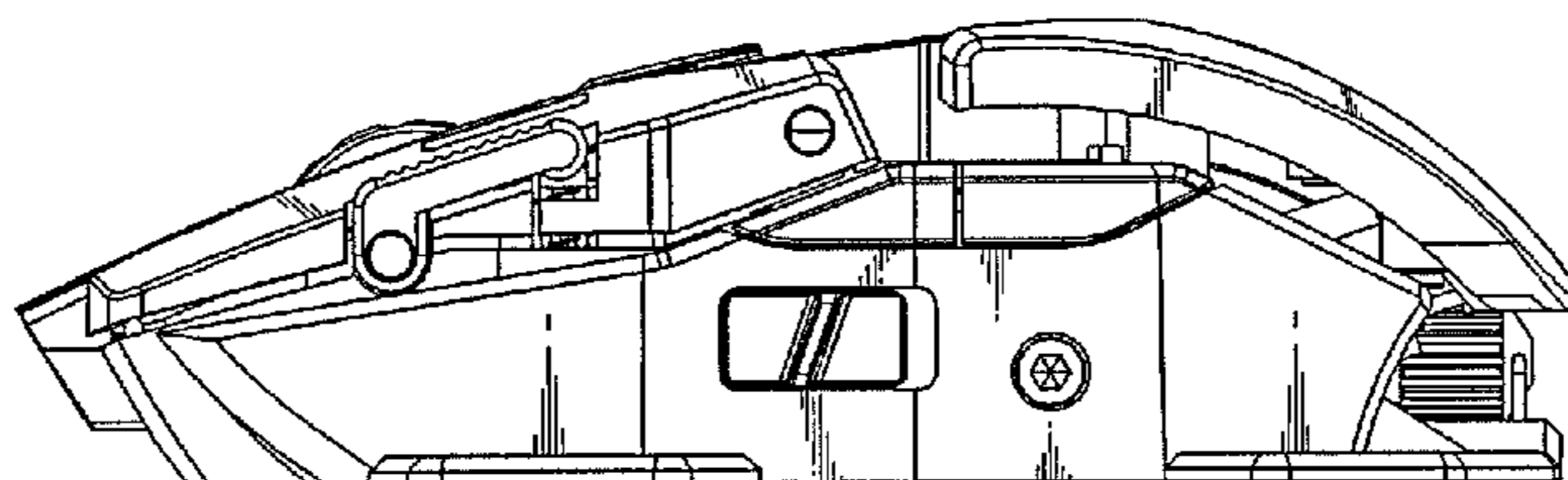
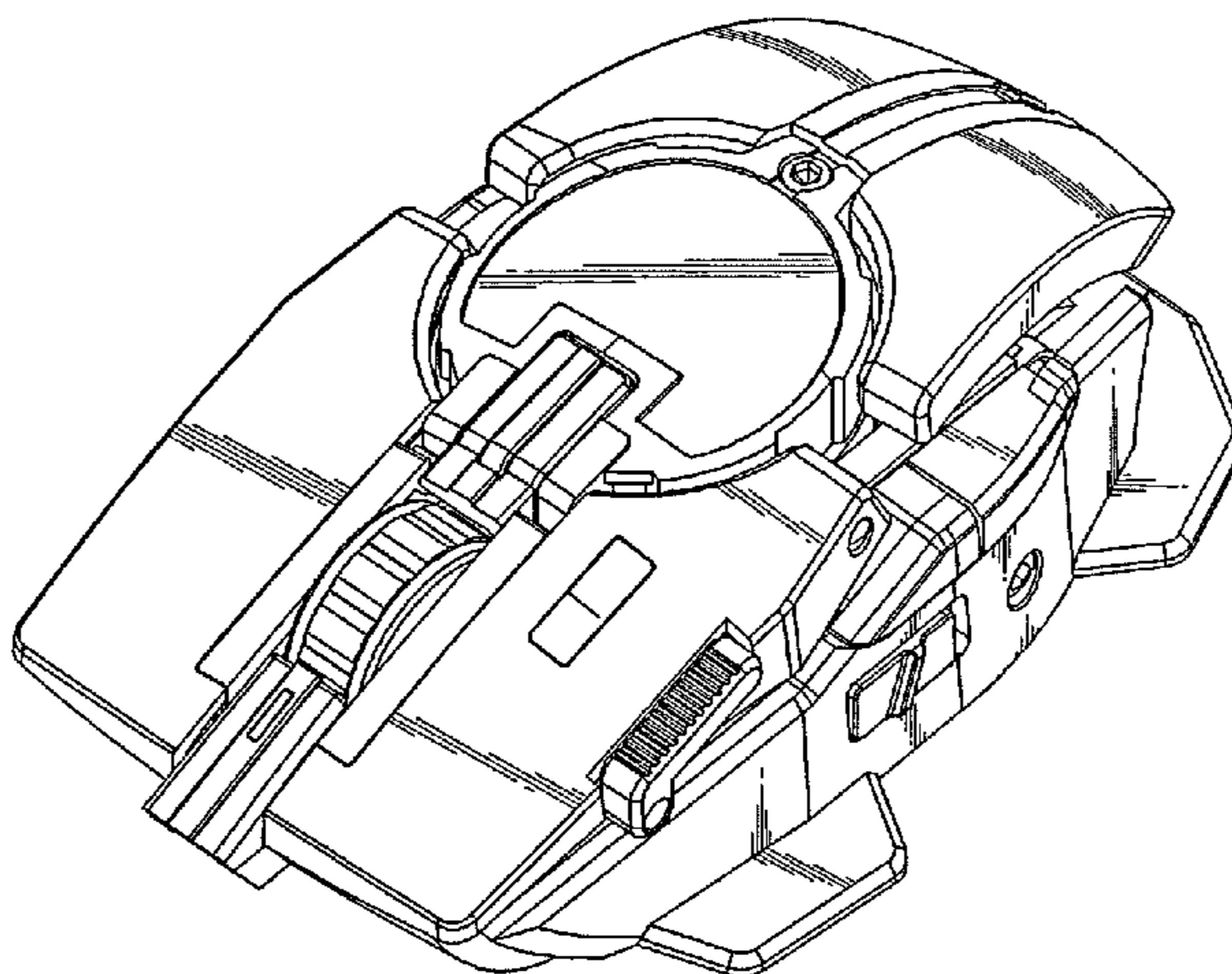


FIG. 1

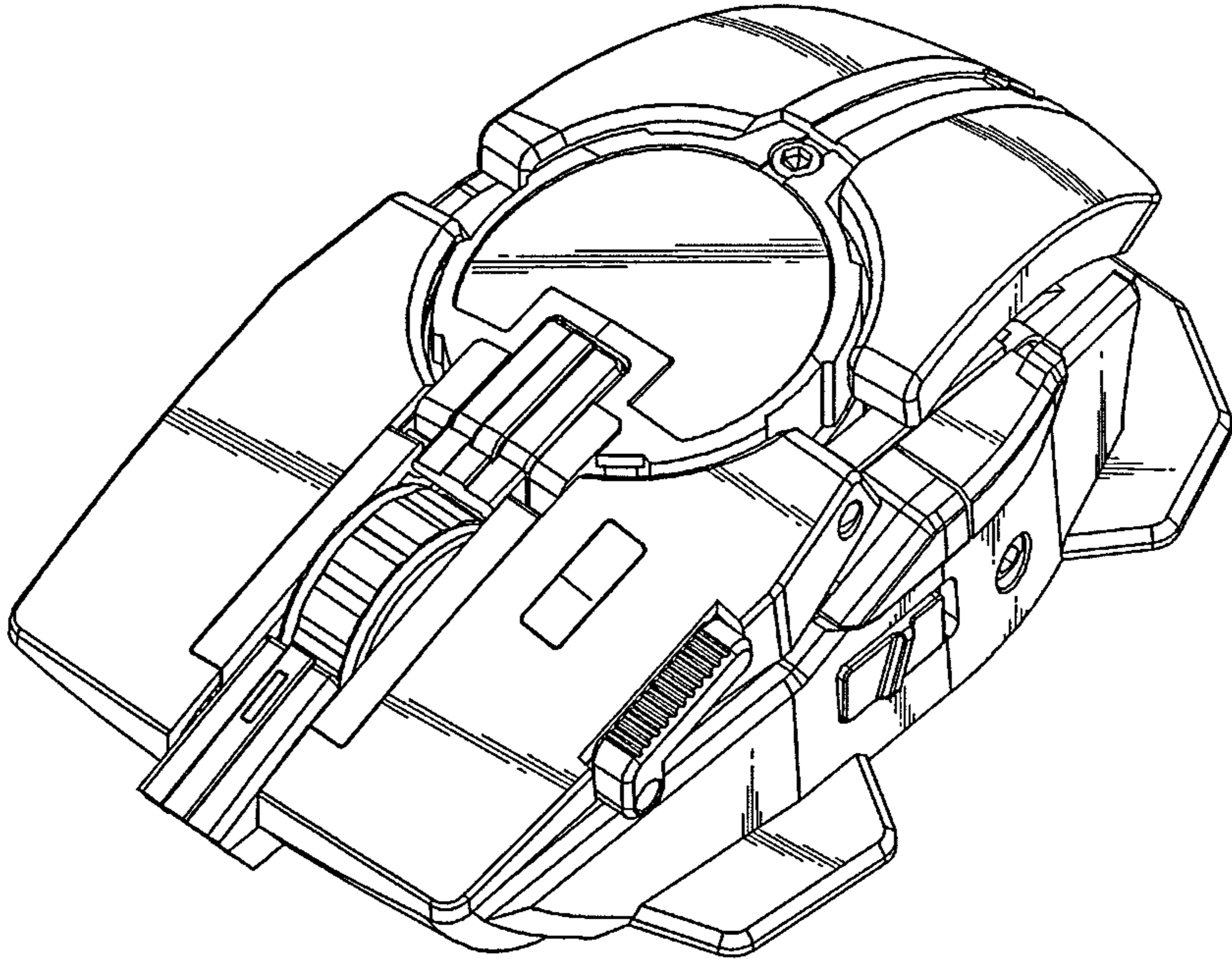


FIG. 2

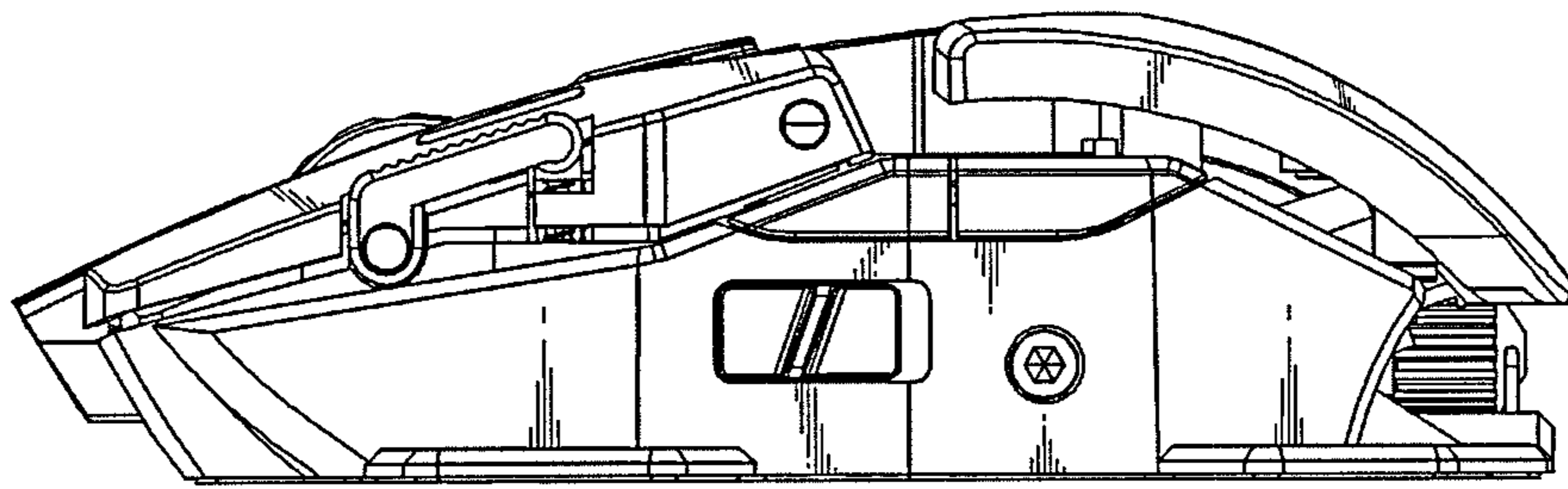


FIG. 3

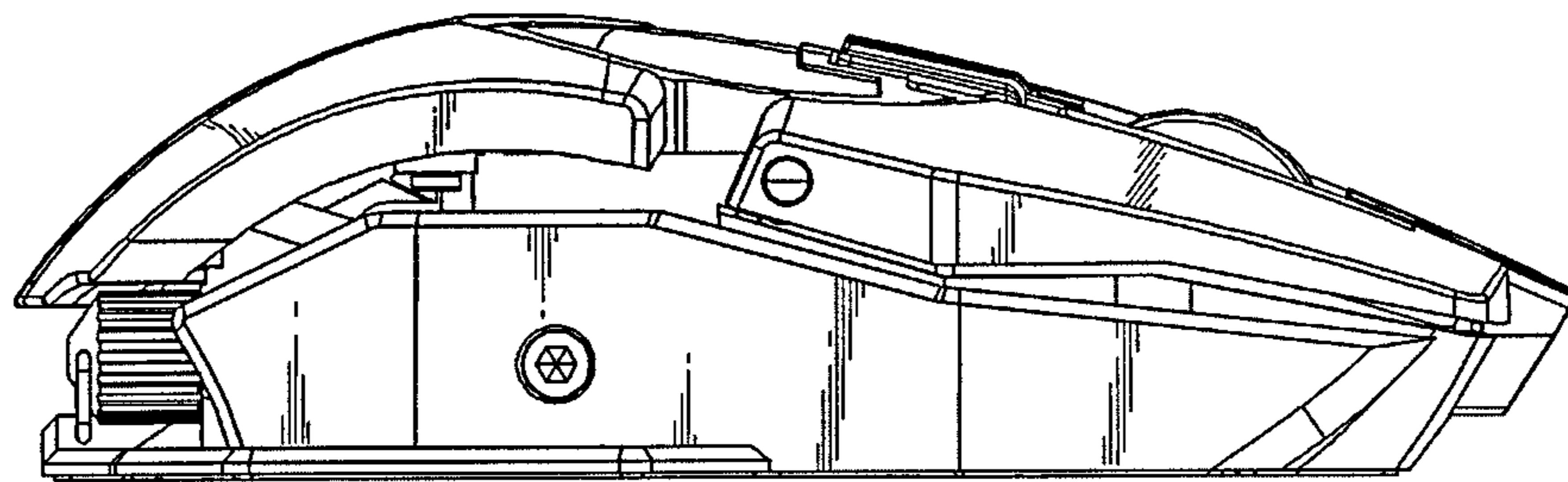


FIG. 4

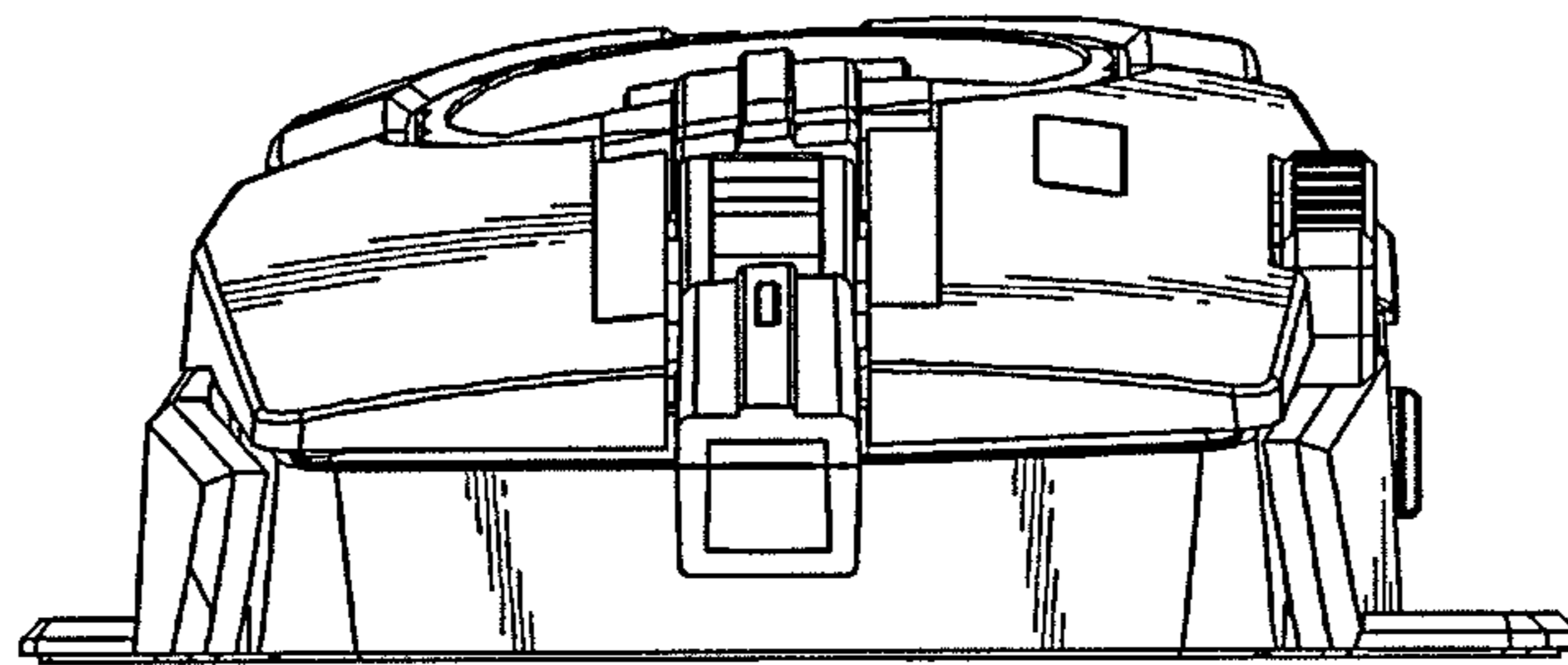


FIG. 5

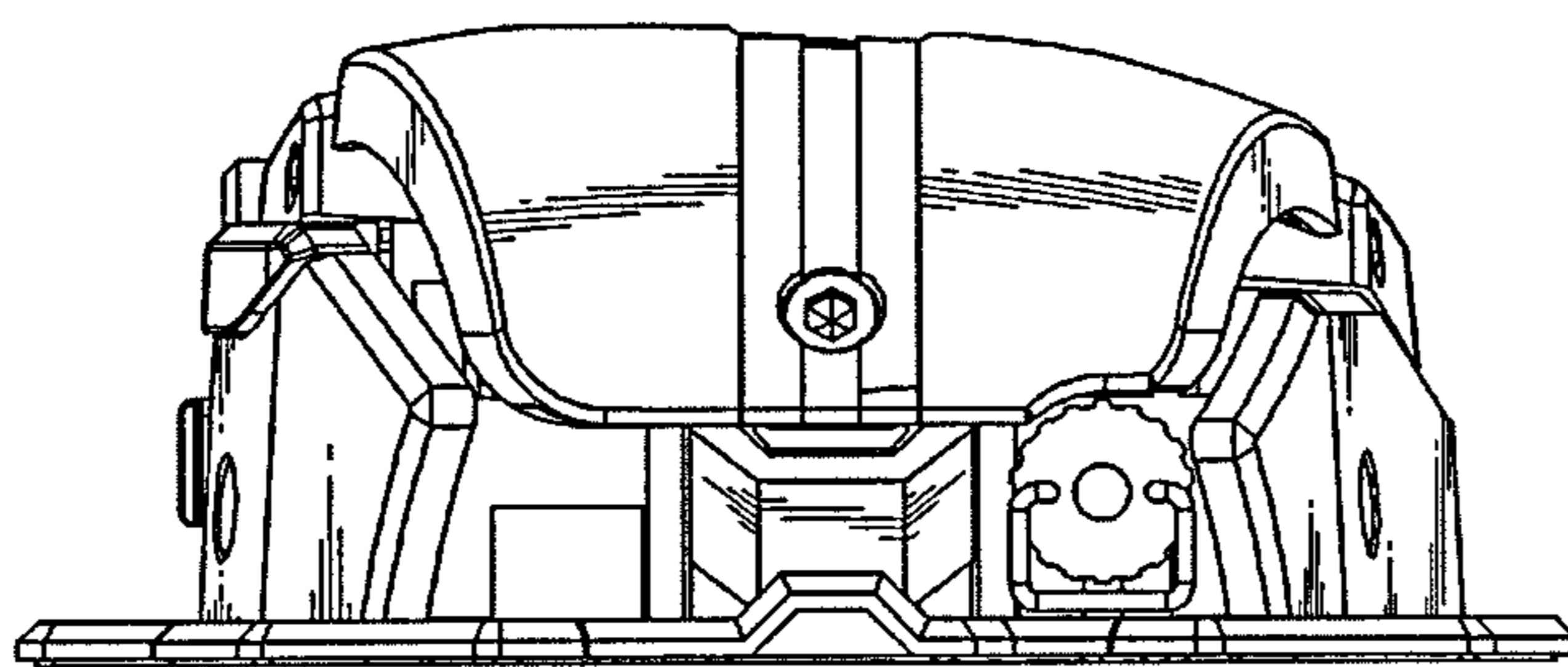


FIG. 6

