



US00D718309S

(12) **United States Design Patent**
Roberts et al.

(10) **Patent No.:** **US D718,309 S**

(45) **Date of Patent:** **** Nov. 25, 2014**

(54) **STEALTH 3D MOUSE**

(75) Inventors: **Timothy P. Roberts**, Tucson, AZ (US);
Michael Gildengorin, San Rafael, CA (US)

(73) Assignee: **Stealth International, LLC**, Tucson, AZ (US)

(**) Term: **14 Years**

(21) Appl. No.: **29/420,592**

(22) Filed: **May 10, 2012**

(51) **LOC (10) Cl.** **14-02**

(52) **U.S. Cl.**
USPC **D14/402**

(58) **Field of Classification Search**
CPC G06F 3/03545
USPC D21/333, 394, 513; D14/402, 403, 404,
D14/405, 406, 407, 408, 409, 410, 426, 427,
D14/300, 353, 354, 355, 432, 446, 441, 445,
D14/439, 341; 361/679.02, 679.31, 801,
361/802, 679.4

See application file for complete search history.

(56) **References Cited**

U.S. PATENT DOCUMENTS

D347,864 S *	6/1994	Duong	D14/401
D360,436 S *	7/1995	Chan	D14/401
D370,501 S *	6/1996	Raviv et al.	D14/401
D376,180 S *	12/1996	Takahata et al.	D14/401
D382,916 S *	8/1997	Oikawa	D14/401
D570,349 S *	6/2008	Ashida et al.	D14/400
D595,338 S *	6/2009	Palmer	D18/7

D609,706 S *	2/2010	Helt et al.	D14/426
D679,399 S *	4/2013	Syu	D24/167
D704,848 S *	5/2014	Thomas et al.	D24/200
2010/0184514 A1 *	7/2010	Tsai	463/38
2013/0093677 A1 *	4/2013	Cabrera	345/163

OTHER PUBLICATIONS

“Stealth Z Mouse.” datem.com, n.d. Web. Aug. 18, 2014.*
“VR Interfaces: Stealth Mouse.” virtualworldnets.net, n.d. Web. Aug. 18, 2014.*

* cited by examiner

Primary Examiner — George D Kirschbaum

Assistant Examiner — Kendra L Hamilton

(74) *Attorney, Agent, or Firm* — Hayes Soloway P.C.

(57) **CLAIM**

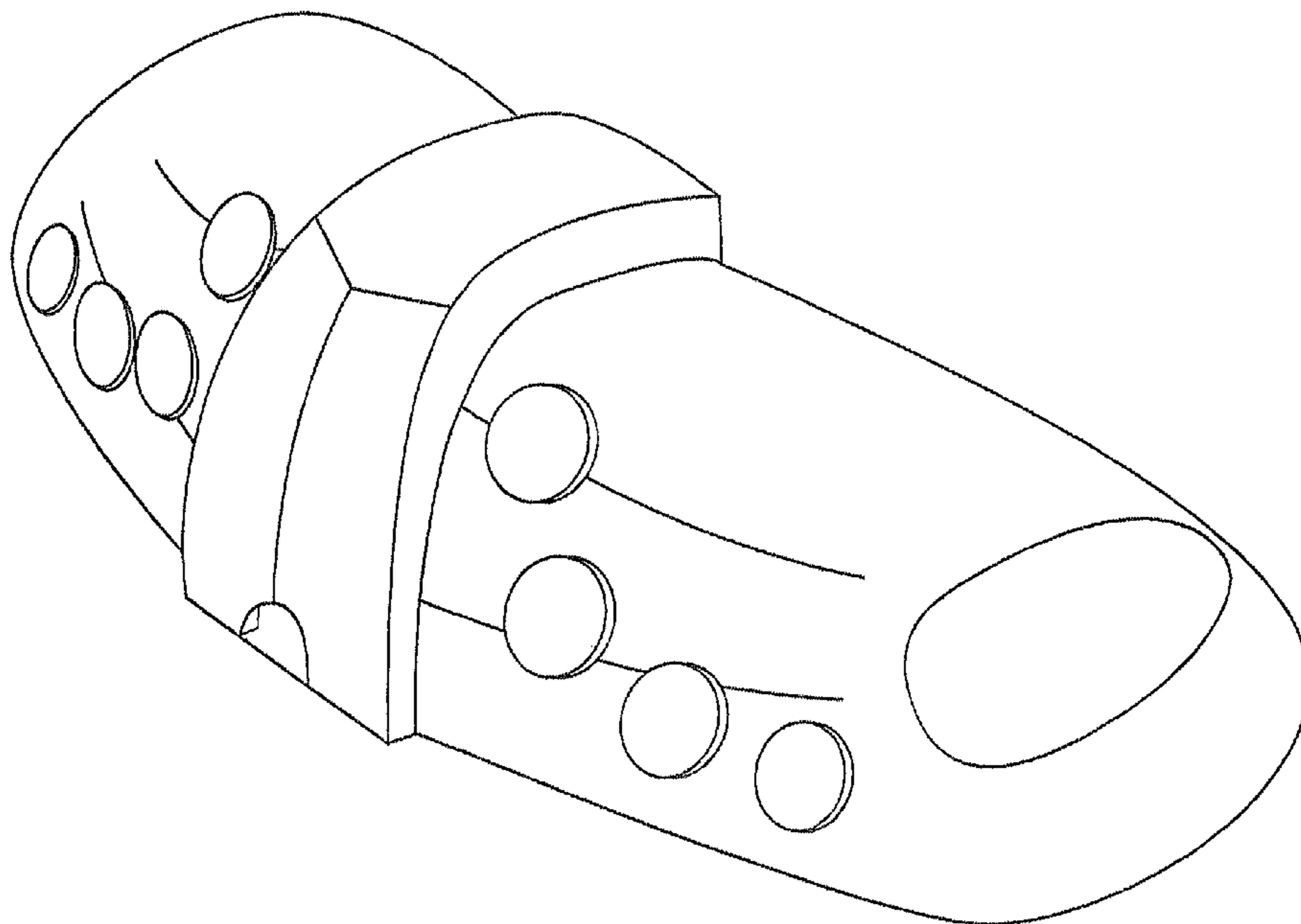
The ornamental design for a stealth 3D mouse, as shown and described.

DESCRIPTION

FIG. 1 is a bottom view thereof, showing our new design;
FIG. 2 is a top view thereof;
FIG. 3 is a right side view thereof, the other side being a mirror image thereof;
FIG. 4 is a front view thereof;
FIG. 5 is a back view thereof;
FIG. 6 is a front perspective view thereof; and,
FIG. 7 is a back perspective view thereof.

The portions of the Figures shown in broken lines disclose environmental structure and form no part of the claimed design.

1 Claim, 7 Drawing Sheets



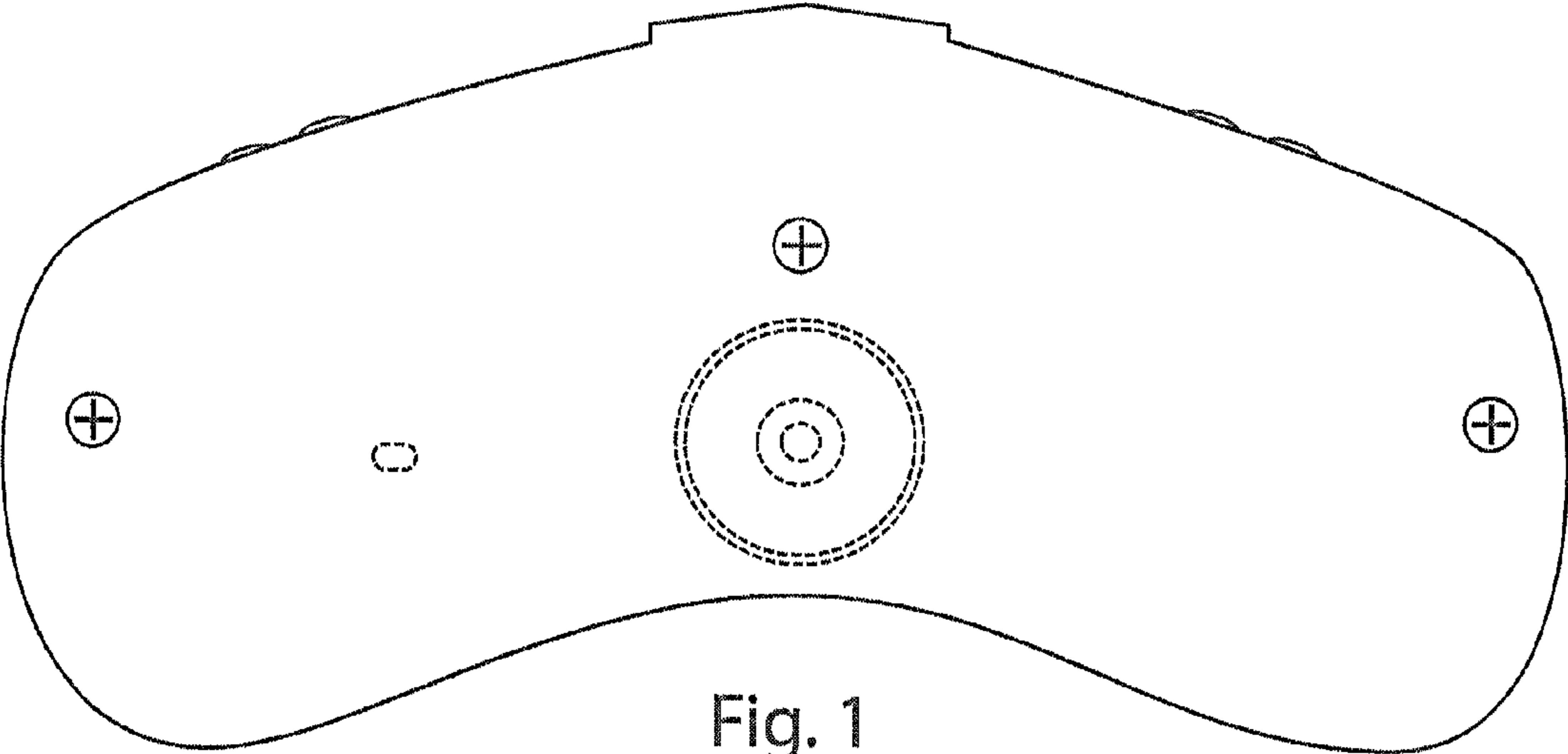


Fig. 1

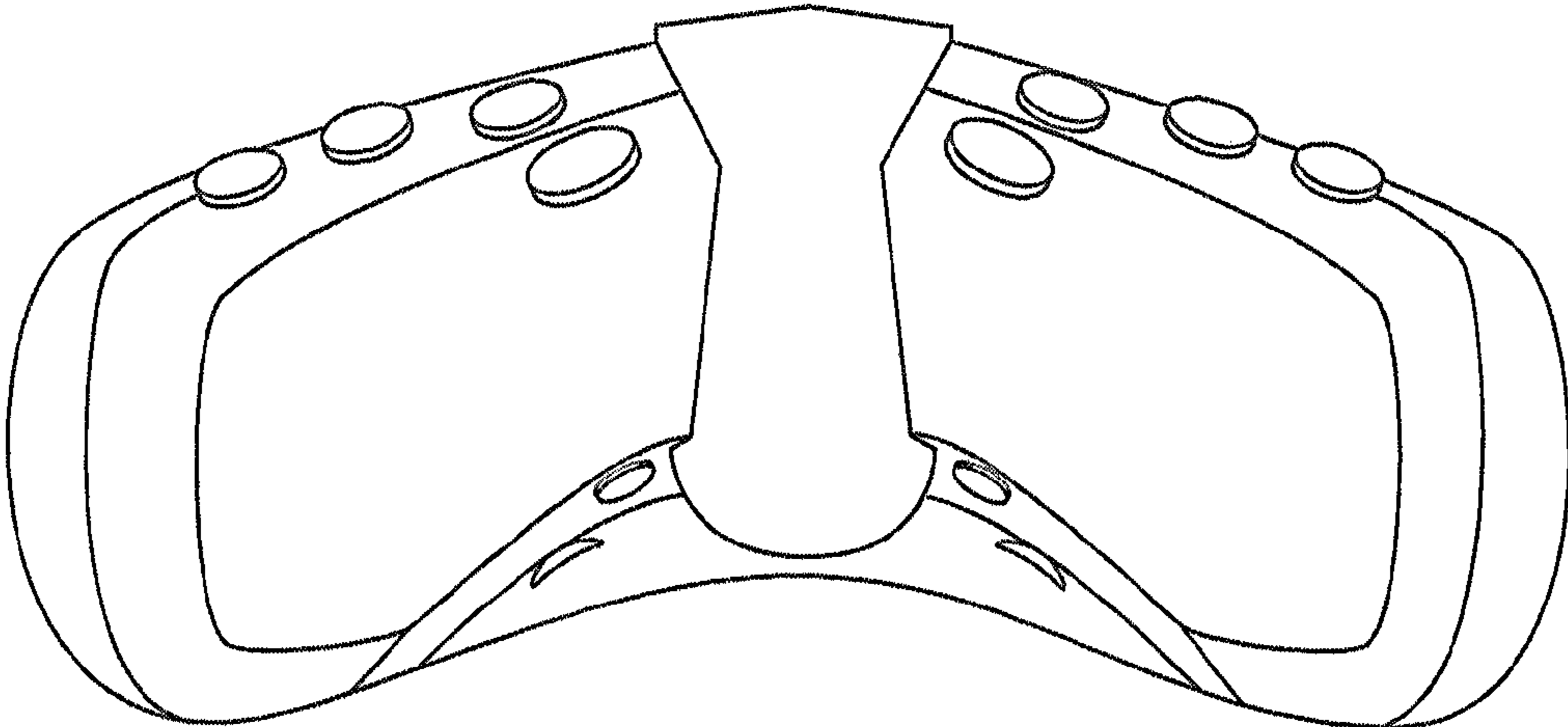


Fig. 2

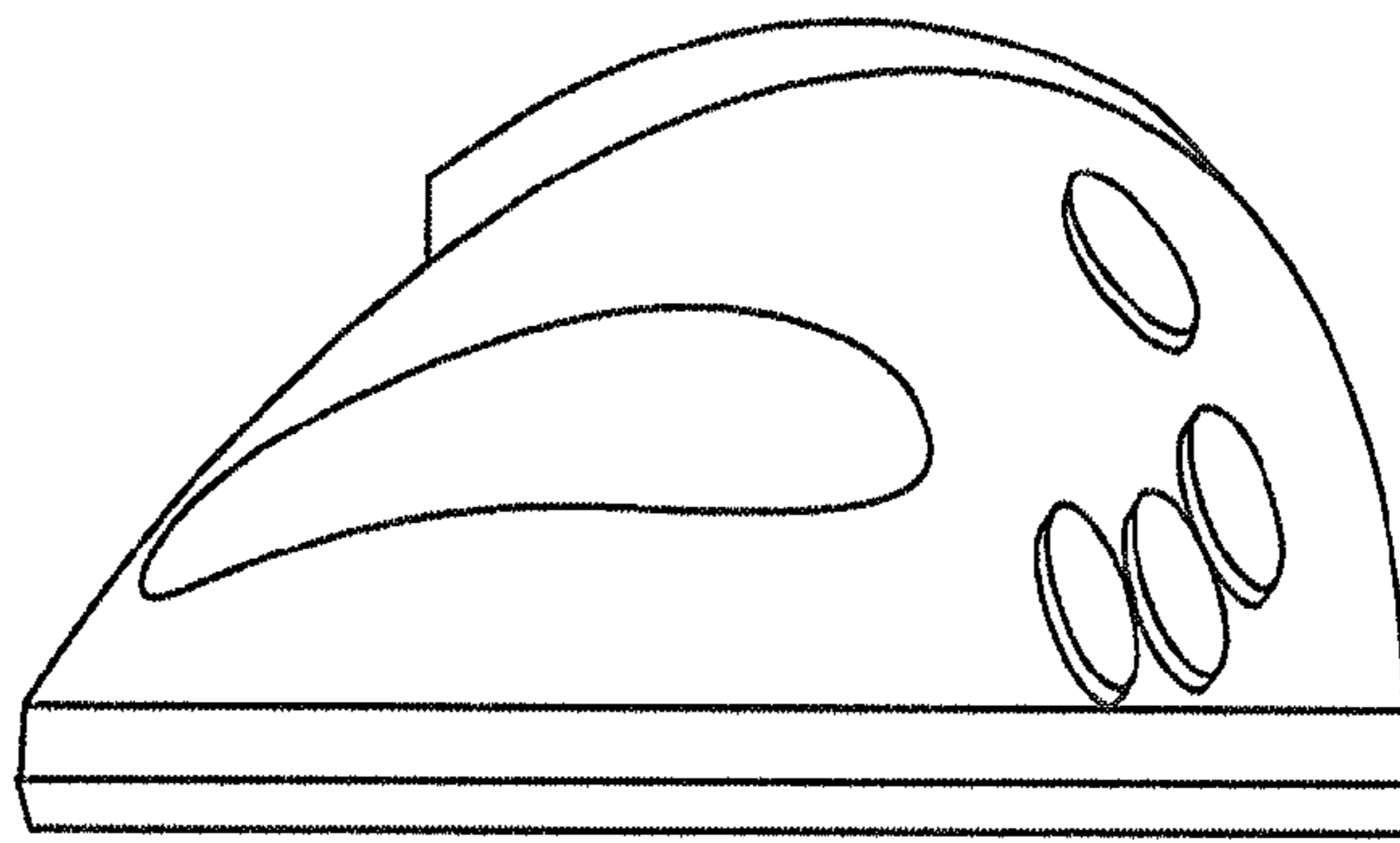


Fig. 3

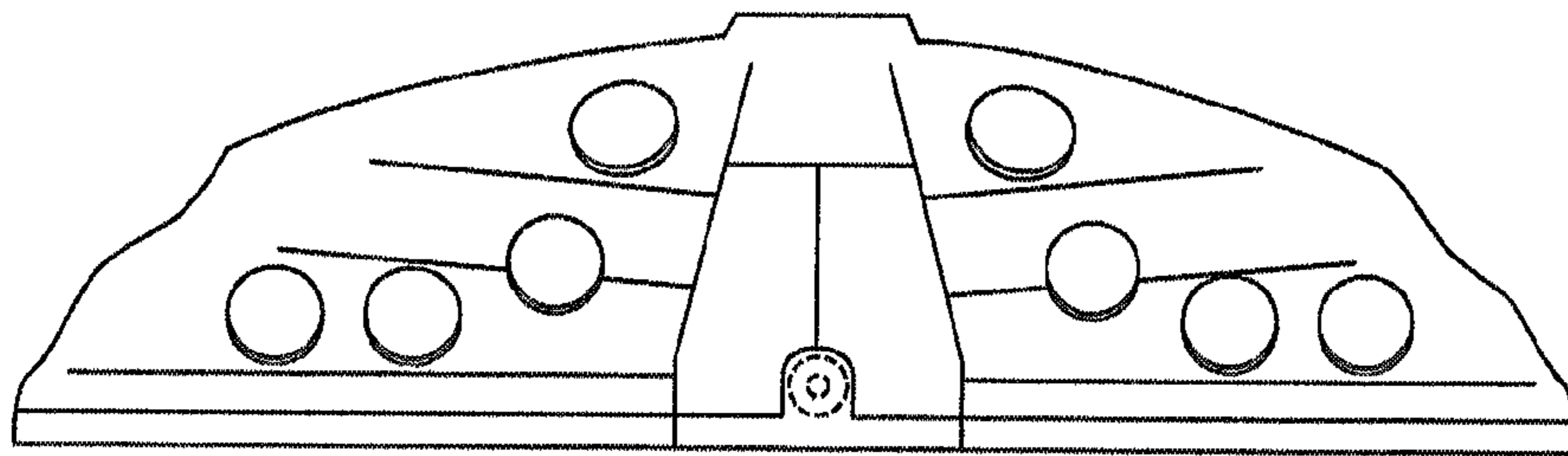


Fig. 4

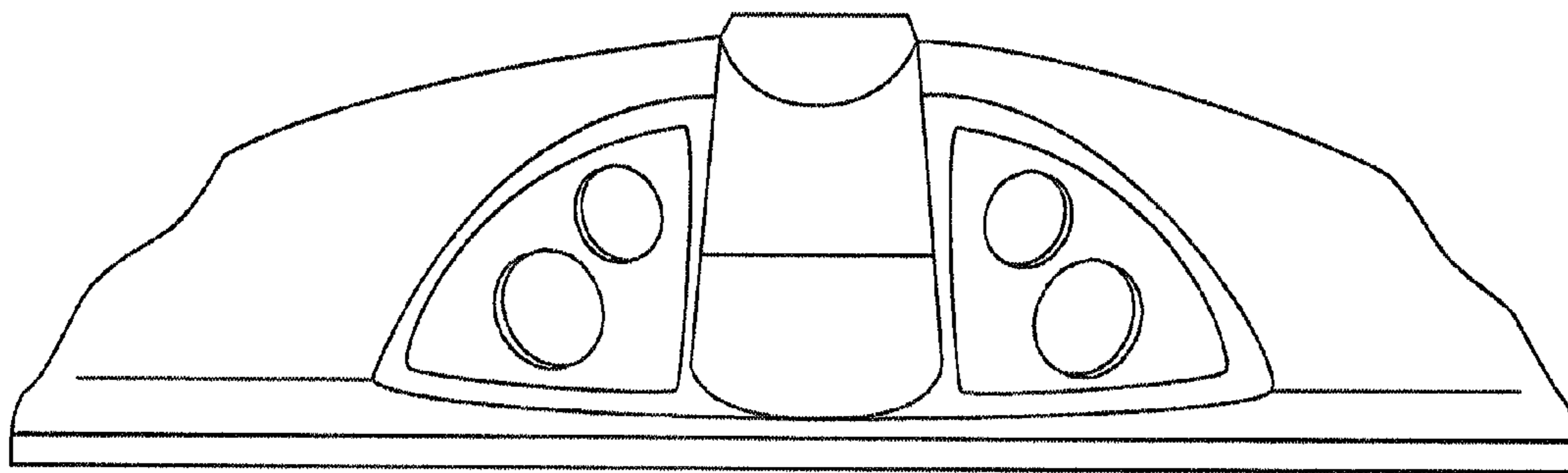


Fig. 5

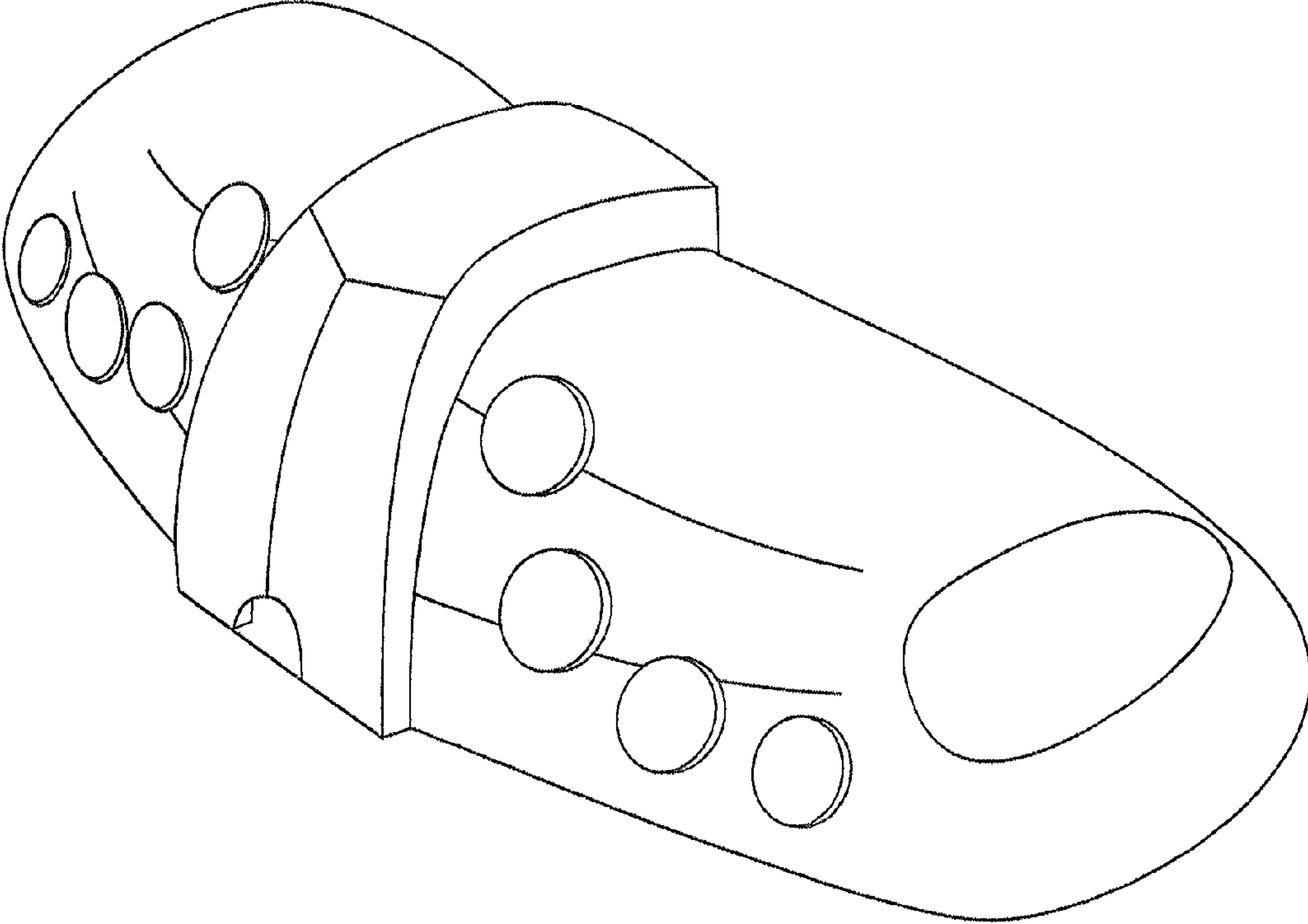


Fig. 6

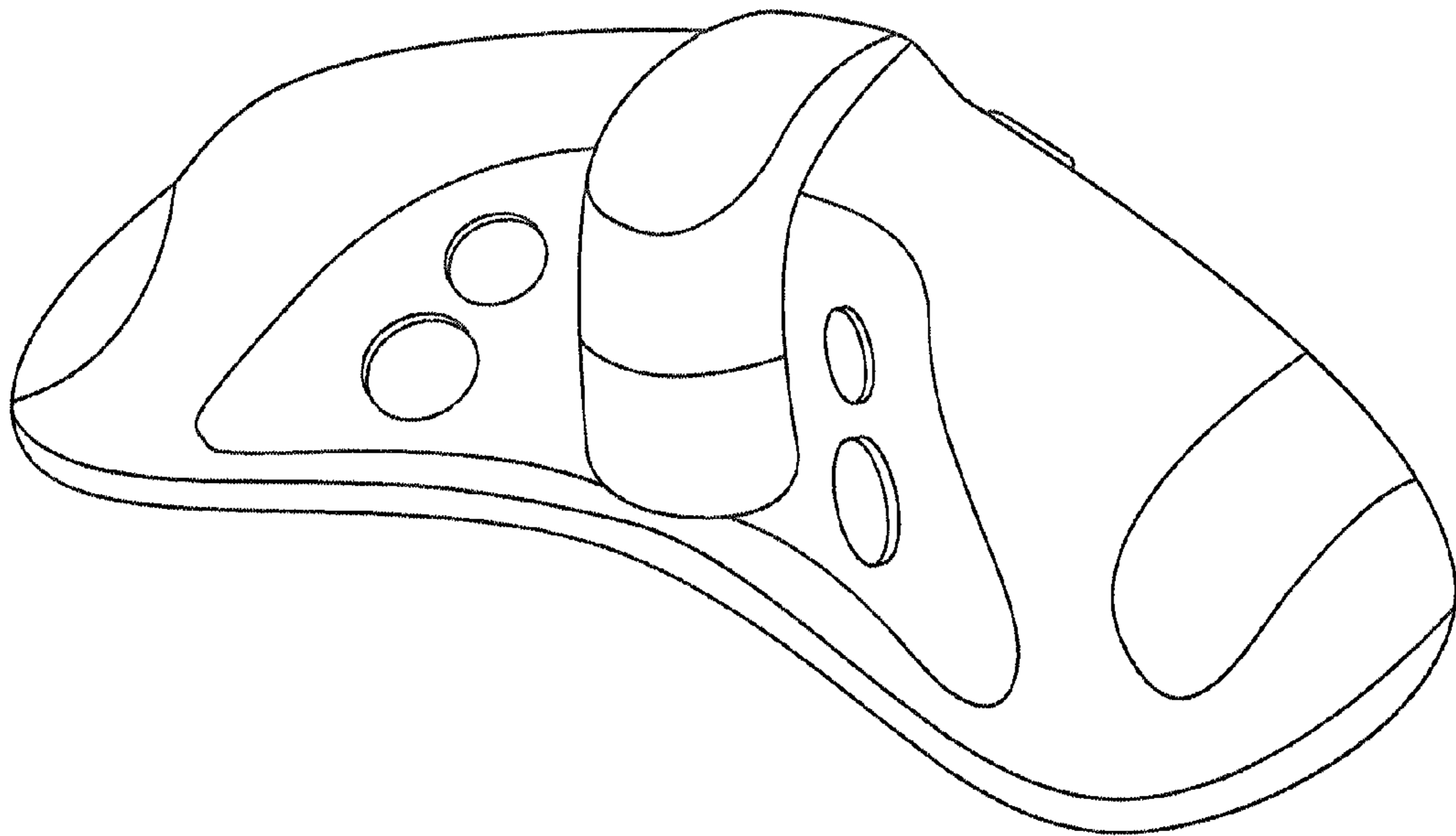


Fig. 7